



US00D444746S

(12) **United States Design Patent**
Wherley

(10) **Patent No.:** **US D444,746 S**

(45) **Date of Patent:** **** Jul. 10, 2001**

(54) **HITCH ATTACHMENT**

(76) **Inventor:** **Steven J. Wherley**, 15830 Carver
Highlands, Carver, MN (US) 55315

(**) **Term:** **14 Years**

(21) **Appl. No.:** **29/133,840**

(22) **Filed:** **Dec. 8, 2000**

(51) **LOC (7) Cl.** **12-16**

(52) **U.S. Cl.** **D12/162**

(58) **Field of Search** D12/162, 400;
D8/330-331, 336, 343-346; 70/232, 237;
D15/28; 414/724, 912; 37/403, 405, 903;
24/457, 516, 525, 569; 280/406.2, 415.1,
433, 446.1, 480, 500, 504-507

(56) **References Cited**

U.S. PATENT DOCUMENTS

- D. 173,549 * 11/1954 Taylor D12/162
- D. 258,357 * 2/1981 Jackson D12/162
- D. 317,426 * 6/1991 Lytle D12/162
- D. 343,377 * 1/1994 Joly D12/162
- D. 376,780 * 12/1996 McCoy D12/162
- D. 394,421 * 5/1998 Horstmann D12/162

- D. 402,602 * 12/1998 Niswanger D12/162
- D. 415,725 * 10/1999 Wyant D12/162
- D. 431,504 * 10/2000 Hoska D12/162
- D. 436,064 * 1/2001 Niswanger D12/162
- 3,990,722 * 11/1976 Casad et al. D12/162 X
- 6,022,184 2/2000 Friedland 414/724

* cited by examiner

Primary Examiner—Stacia Cadmus

(74) *Attorney, Agent, or Firm*—Robert A. Pajak

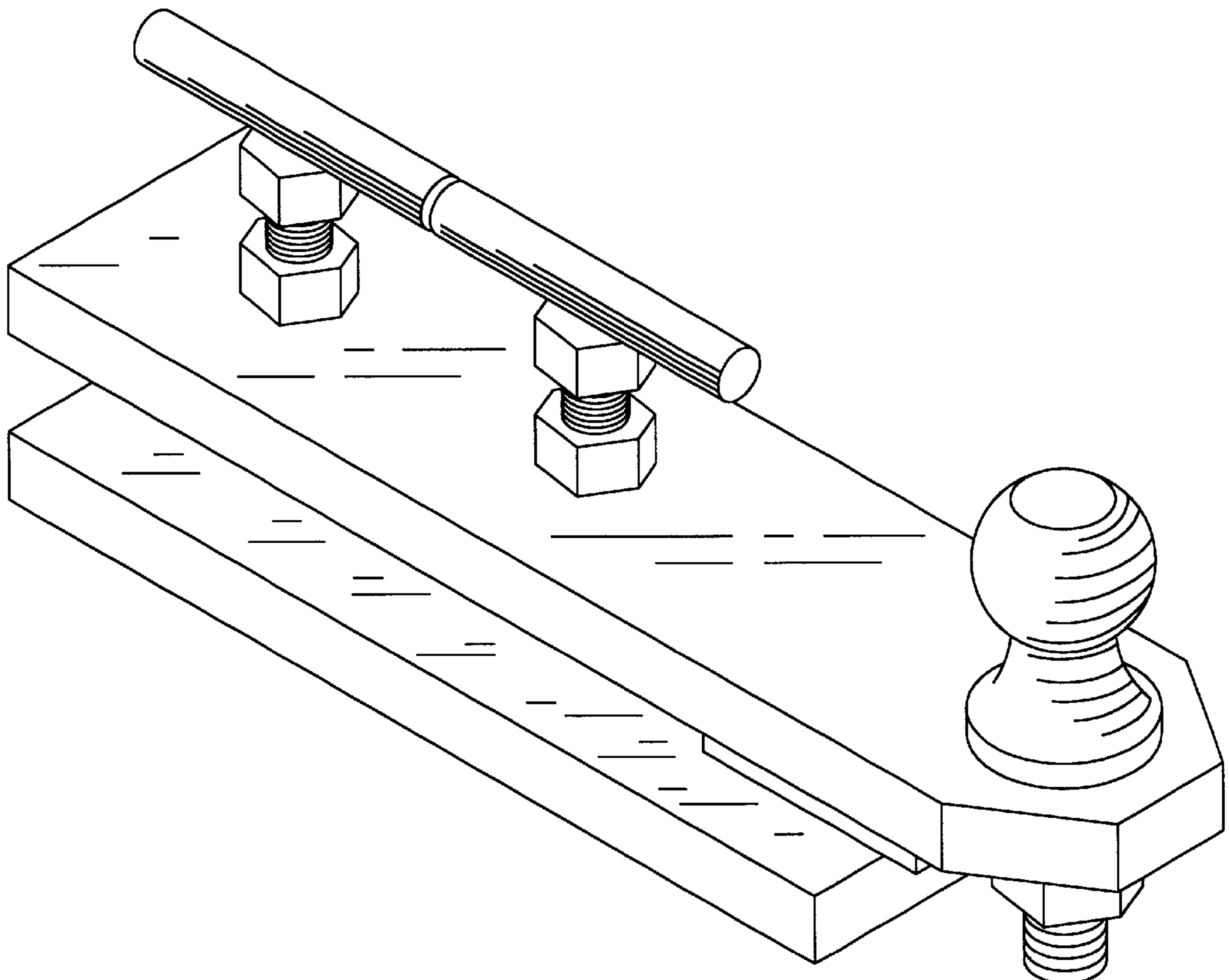
(57) **CLAIM**

The ornamental design for a hitch attachment, as shown and described.

DESCRIPTION

FIG. 1 is a perspective view of a hitch attachment embodying my design;
 FIG. 2 is an end elevation view as seen from the left side of FIG. 1;
 FIG. 3 is a front elevation view thereof;
 FIG. 4 is a rear elevation view thereof;
 FIG. 5 is a top plan view thereof; and,
 FIG. 6 is a bottom plan view thereof.

1 Claim, 3 Drawing Sheets



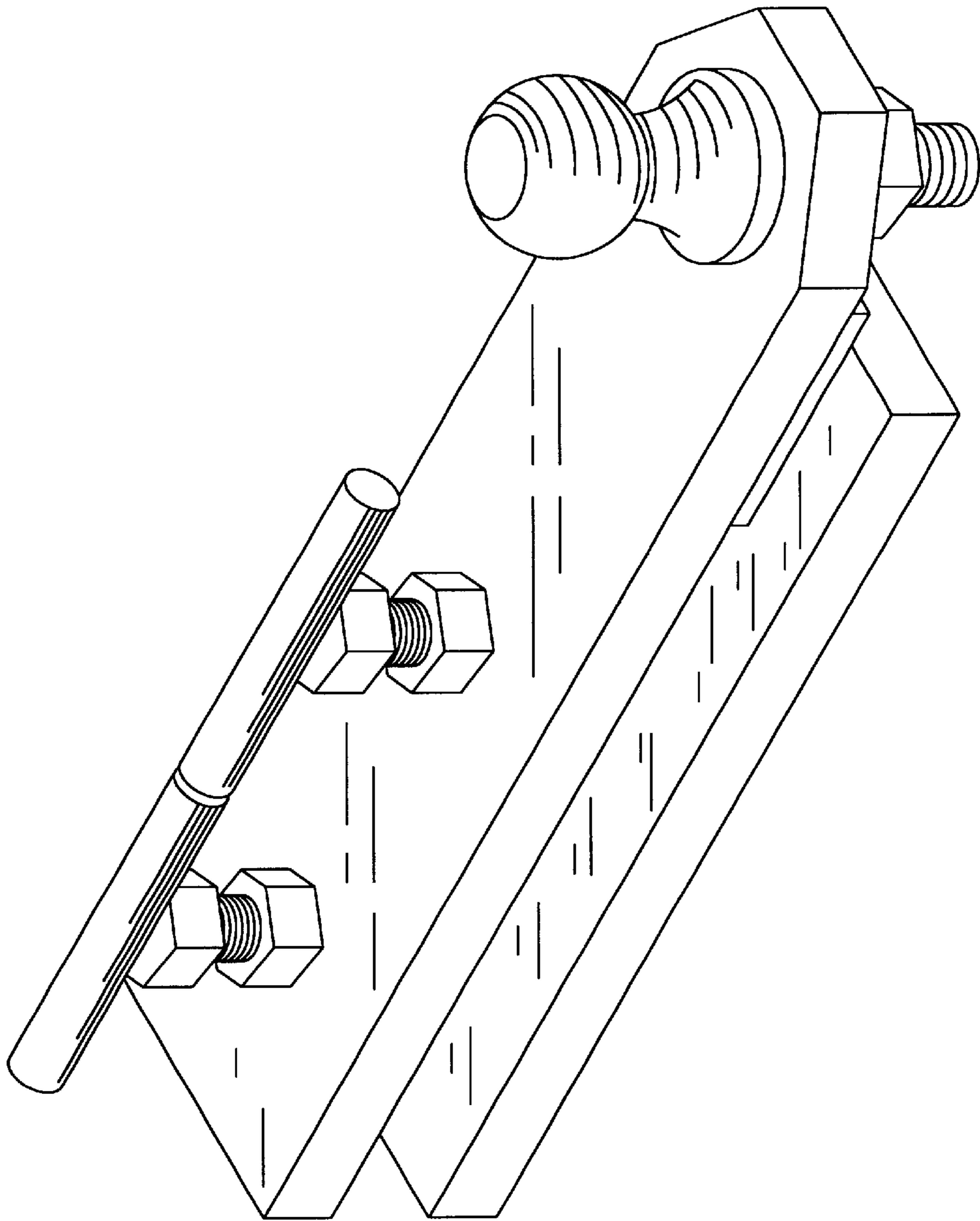


FIG. 1

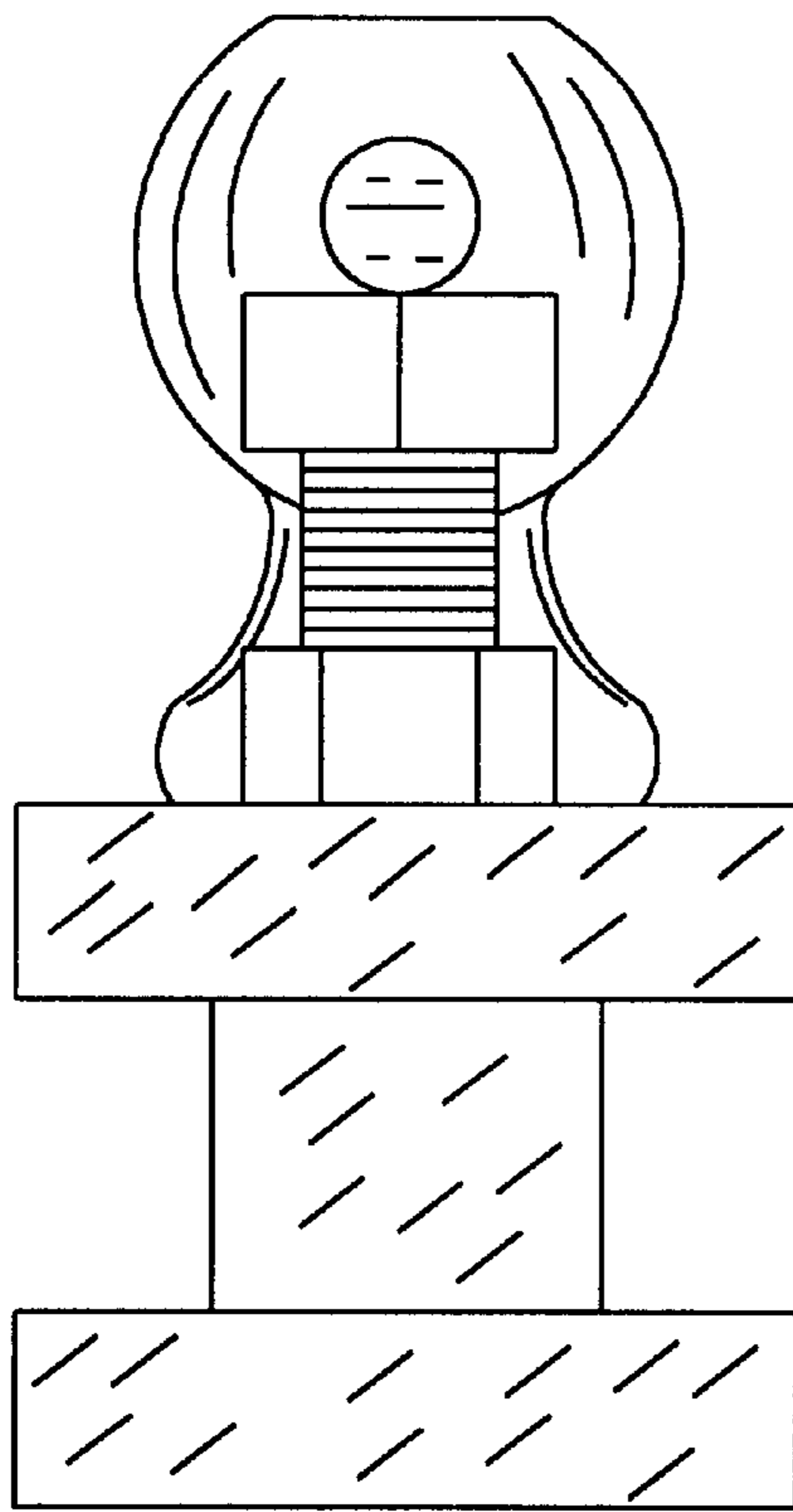


FIG. 2

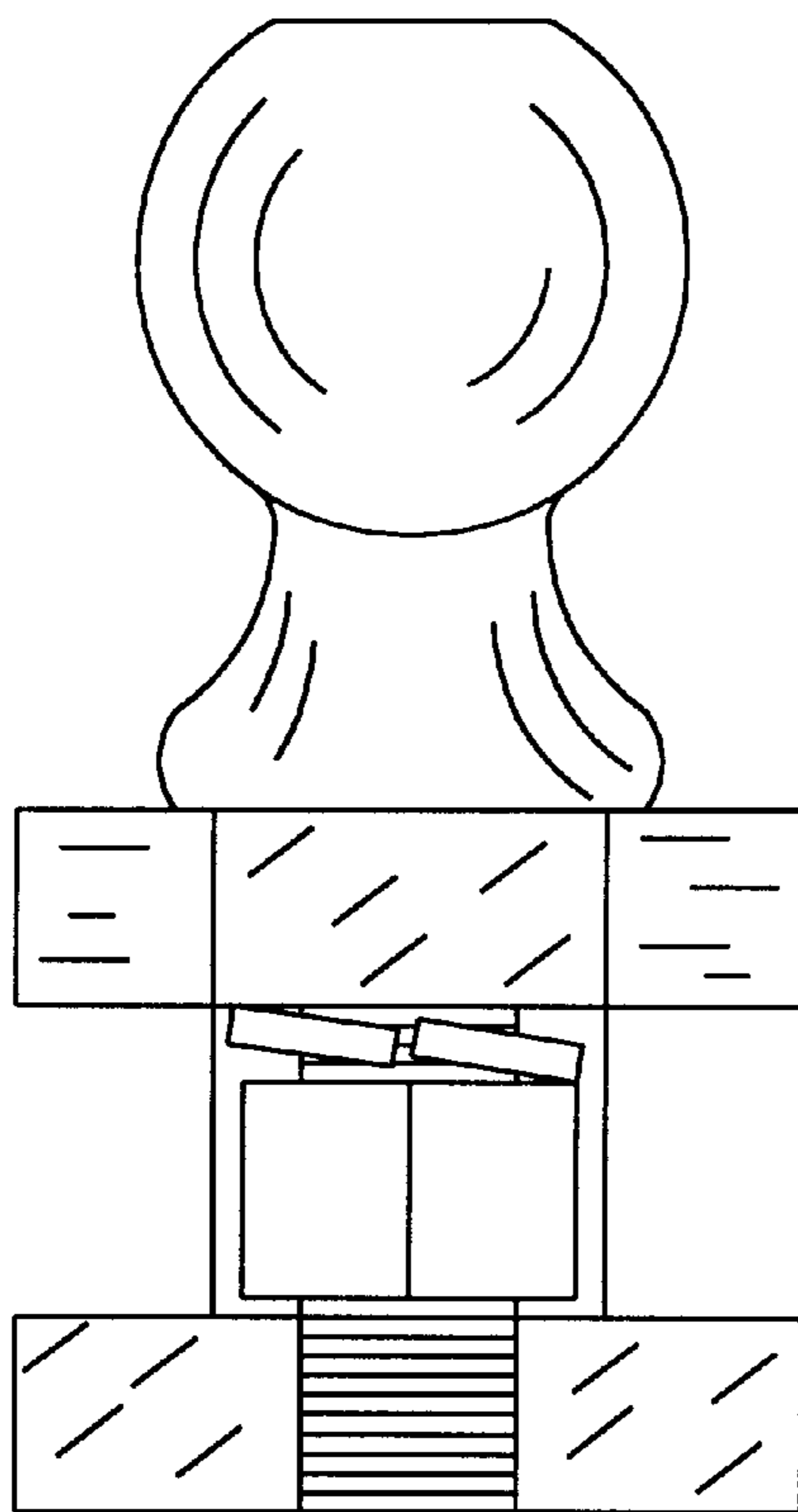


FIG. 3

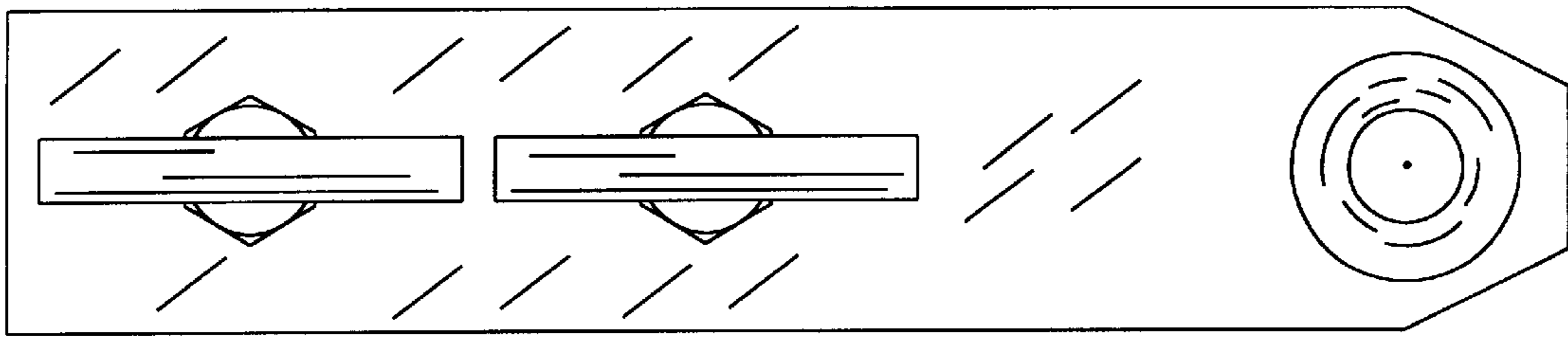


FIG. 5

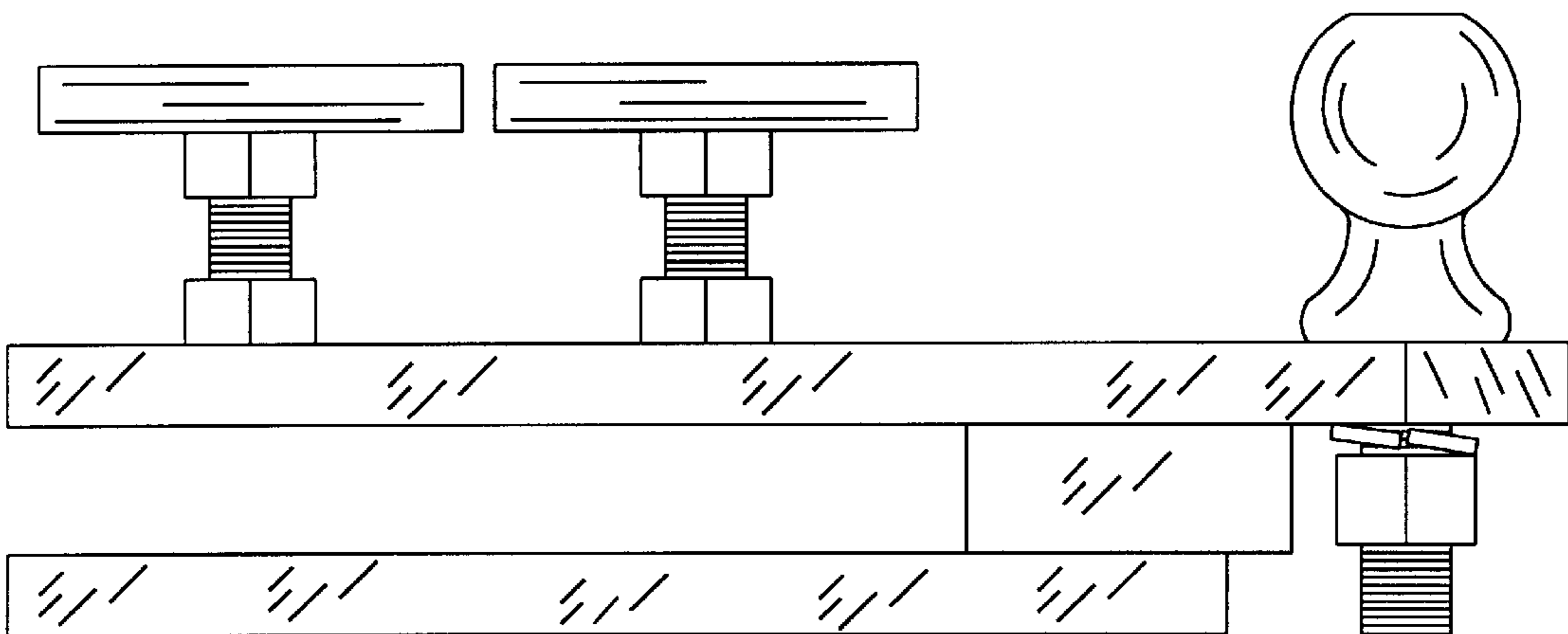


FIG. 4

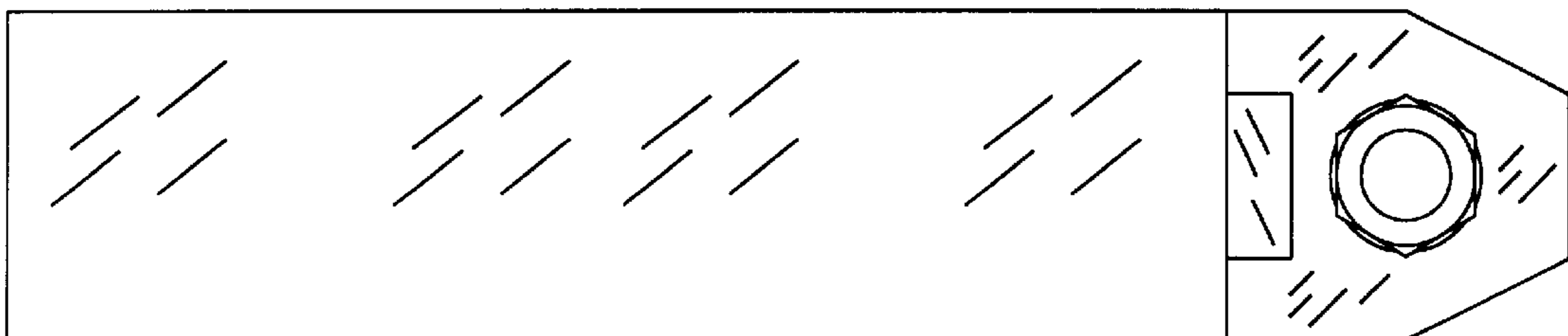


FIG. 6