



US00D444733S

(12) **United States Design Patent**
Tanner et al.

(10) **Patent No.:** **US D444,733 S**

(45) **Date of Patent:** **** Jul. 10, 2001**

(54) **PLANT CONTAINER**

(76) Inventors: **Robert E. Tanner; Cynthia Flowers,**
both of 3011 Linden St., Oakland, CA
(US) 94608

(**) Term: **14 Years**

(21) Appl. No.: **29/121,513**

(22) Filed: **Apr. 6, 2000**

(51) **LOC (7) Cl.** **11-02**

(52) **U.S. Cl.** **D11/143**

(58) **Field of Search** D11/143, 153,
D11/155; 47/65.5, 67, 68, 73; 220/62, 521,
801; 206/423; 248/27.8, 121

(56) **References Cited**

U.S. PATENT DOCUMENTS

114,638	*	5/1871	Booher	47/66.1
D. 259,774	*	7/1981	Criscitriello, Jr.	D11/143
D. 305,875	*	2/1990	Morritt	D11/143
D. 326,830	*	6/1992	Vaughn	D11/143
D. 384,001	*	9/1997	Waszkiewicz, III	D11/143
D. 392,914	*	3/1998	Friend	D11/143
1,462,640	*	7/1923	Hoffman	220/62
1,473,742	*	11/1923	Schaefer	220/62
1,959,800	*	5/1934	Rodge	D11/143
2,881,939	*	4/1959	Nelson	47/66.1
3,669,298	*	6/1972	Silver et al.	220/62
3,867,788	*	2/1975	Mickelson	47/67

5,870,856	*	2/1999	Friend	47/67
5,953,858	*	9/1999	Loosen	47/66.1
6,018,910	*	2/2000	Marks	47/66.1

OTHER PUBLICATIONS

Raised Panel Planter, Item#PRPP-1, no page#, Southern
Patio brochure, 1995.*
Homemade box, Octagon tub, p. 100, Sunset catalog,
undated.*

* cited by examiner

Primary Examiner—Doris V. Coles

Assistant Examiner—Mimosa De

(74) *Attorney, Agent, or Firm*—Cynthia Flowers

(57) **CLAIM**

The ornamental design for a plant container, as shown an
described.

DESCRIPTION

FIG. 1 is an upper right front perspective view: showing my
new design.

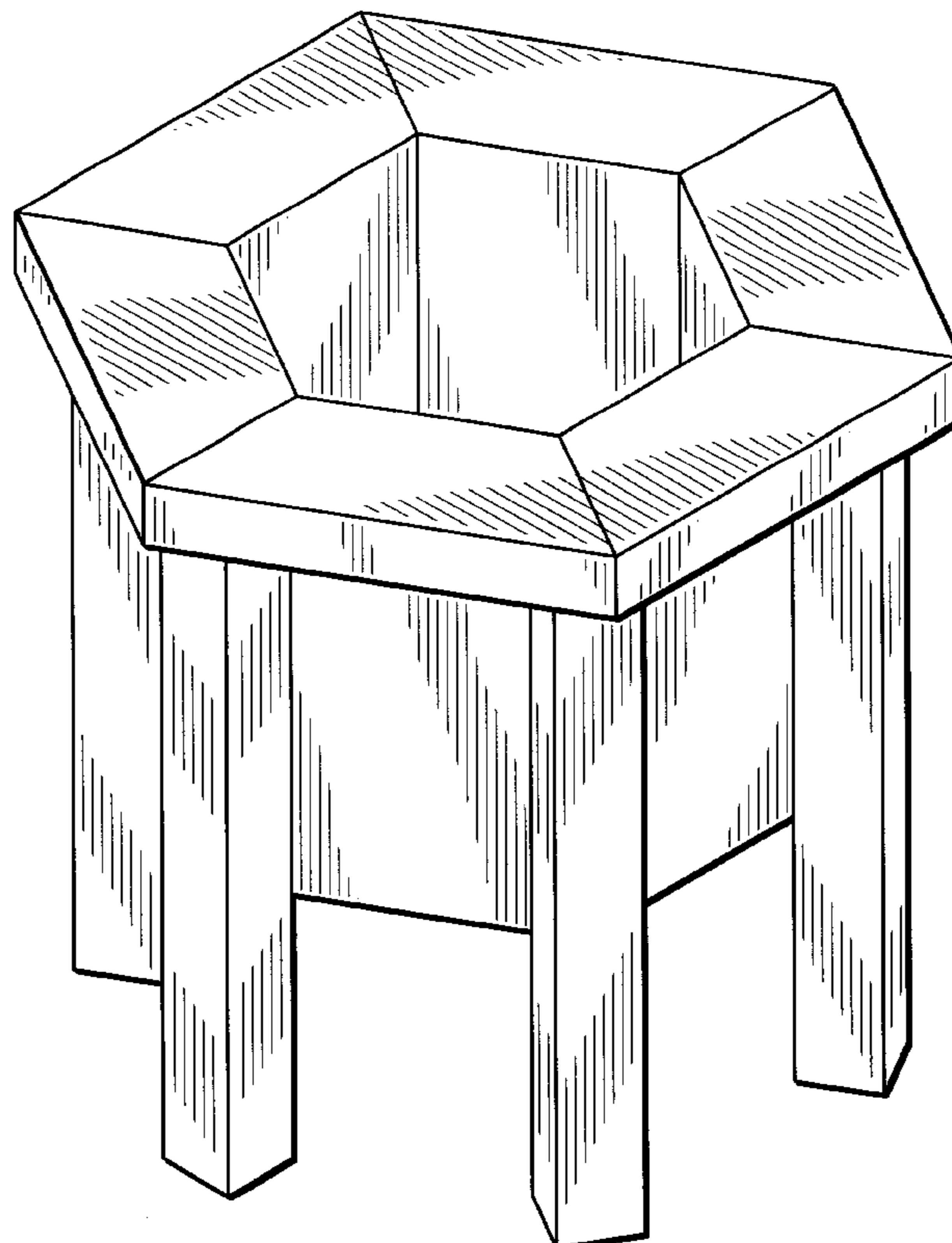
FIG. 2 is a front elevational view, the rear elevational being
identical.

FIG. 3 is a right side elevational view, the left side eleva-
tional view being identical;

FIG. 4 is a top plan view; and,

FIG. 5 is a bottom plan view.

1 Claim, 3 Drawing Sheets



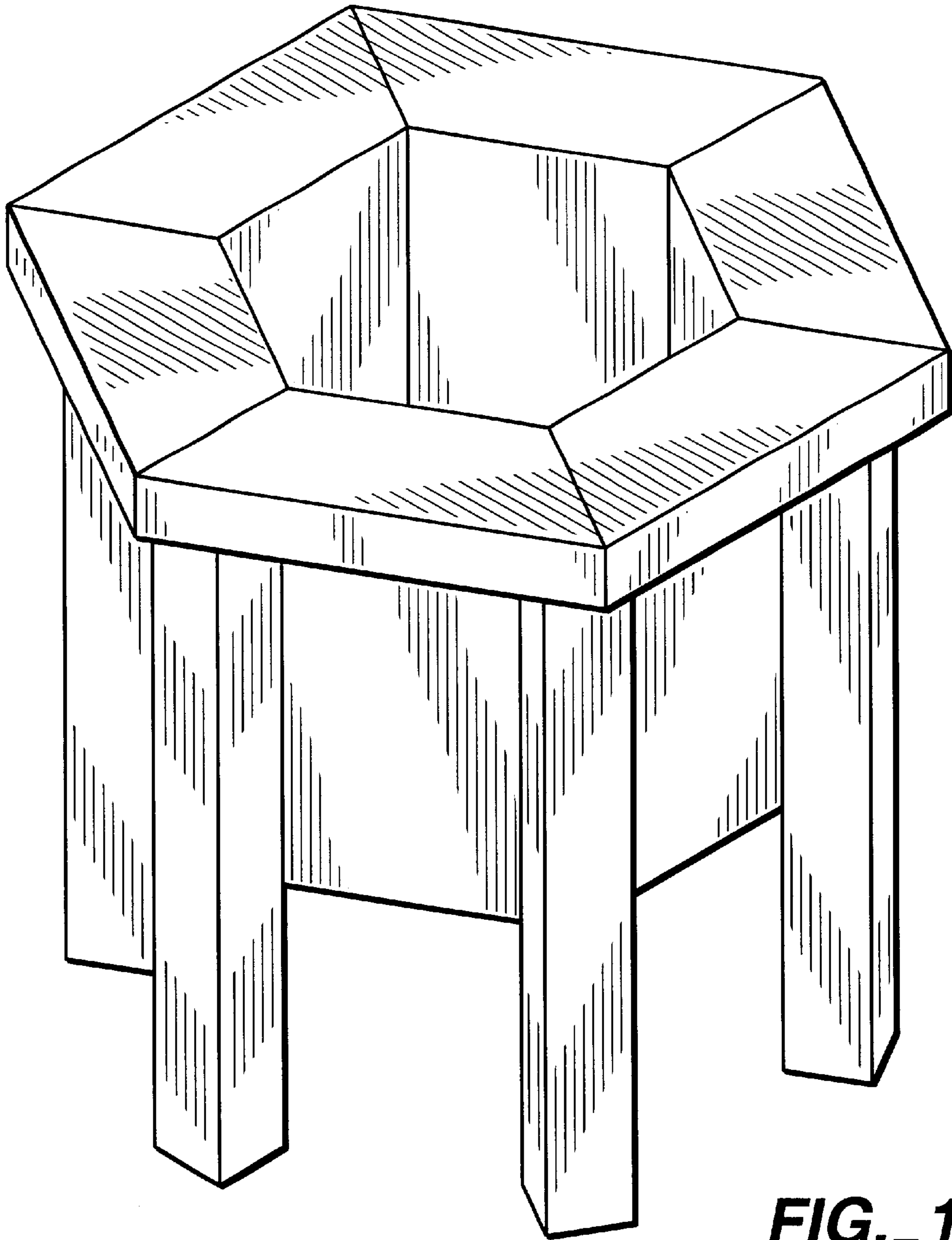


FIG. 1

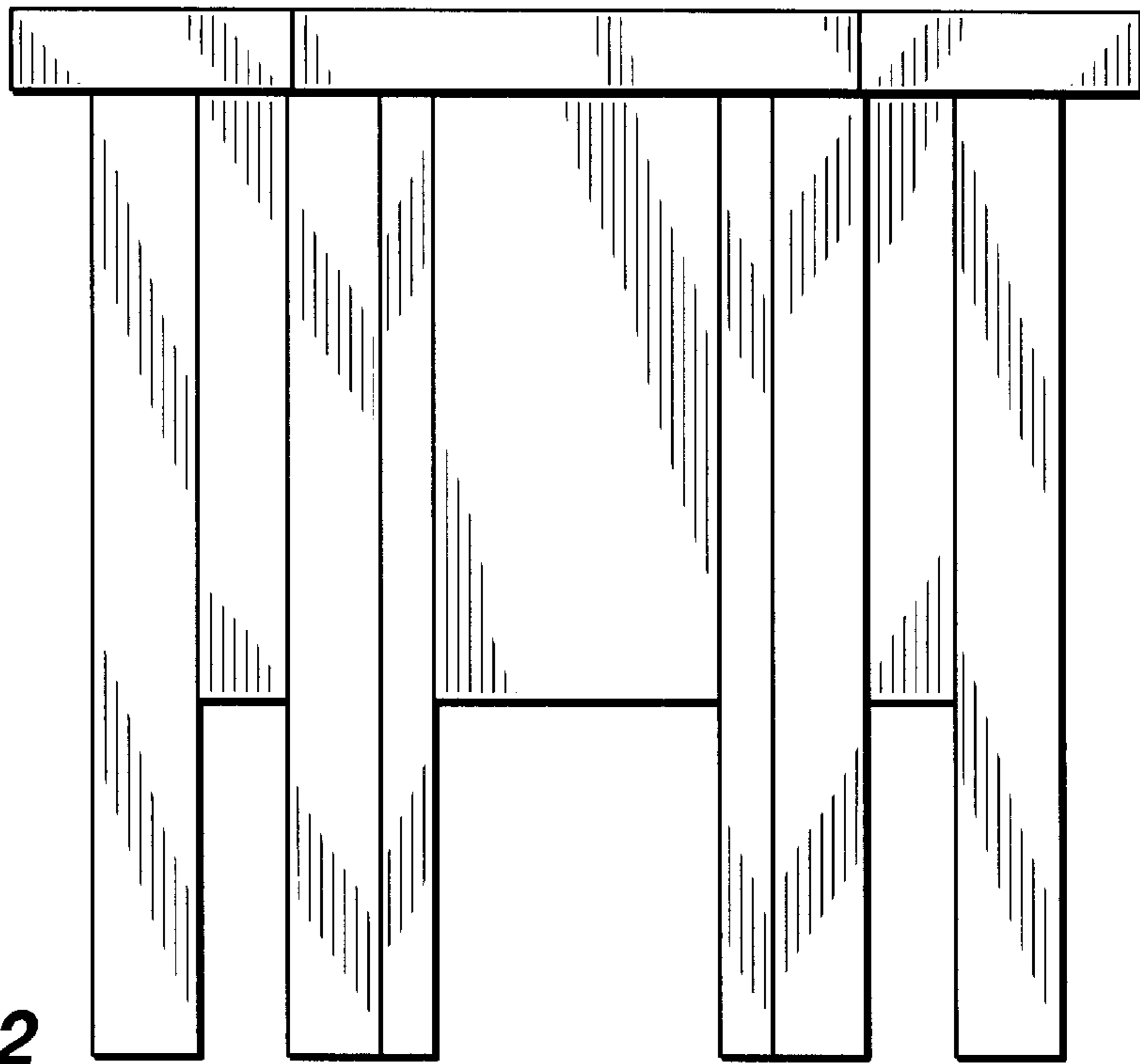


FIG._2

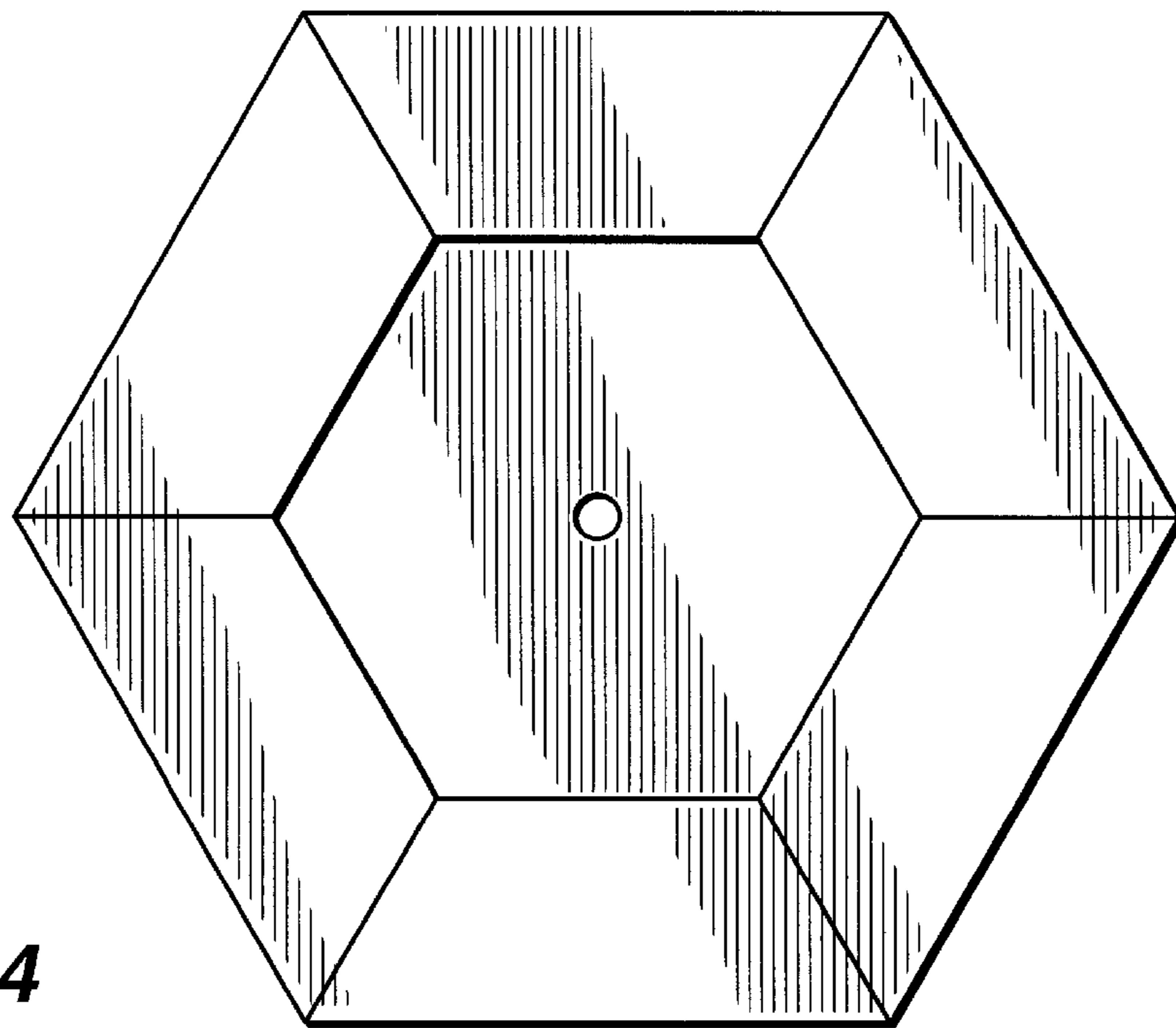


FIG._4

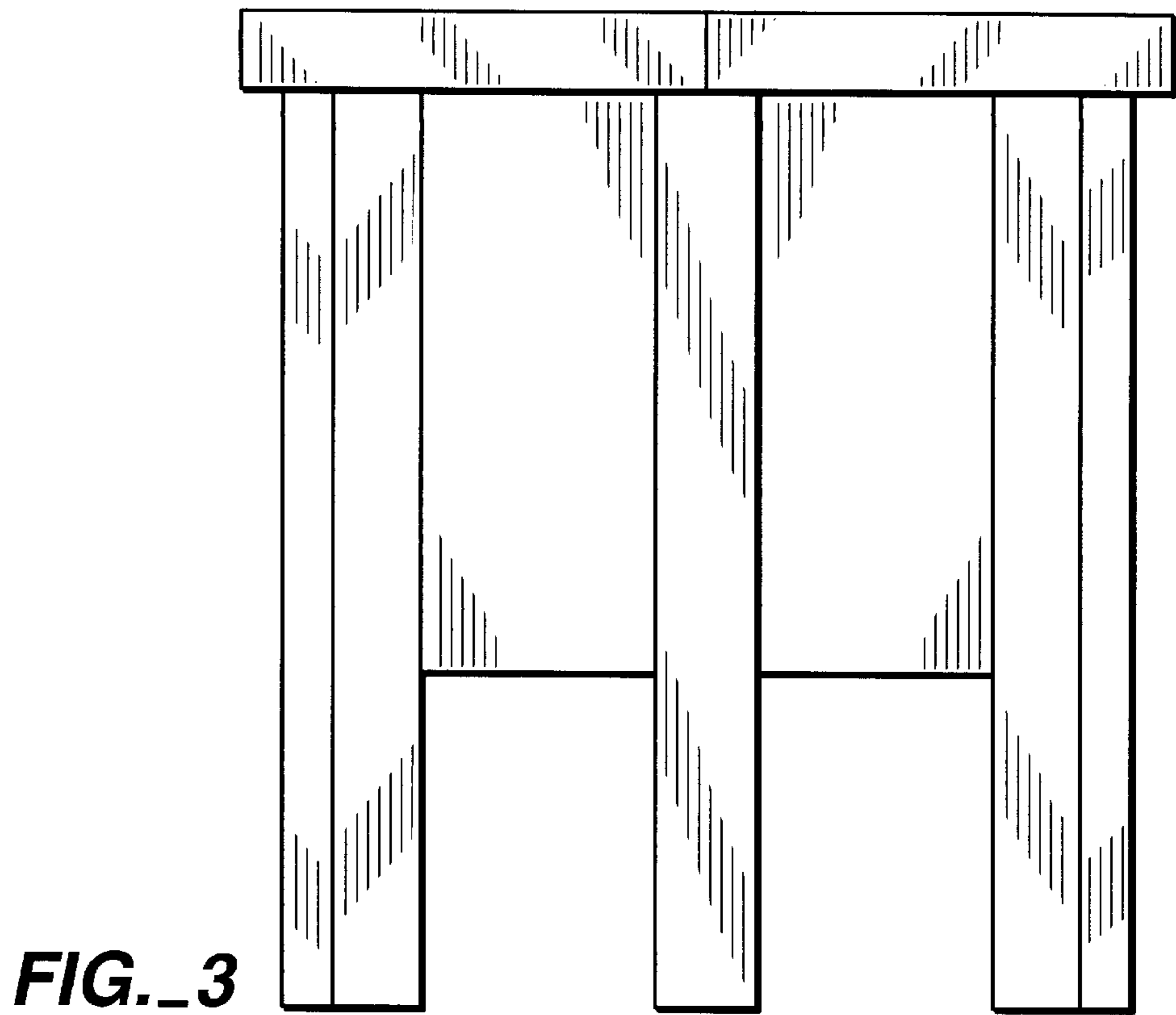


FIG._3

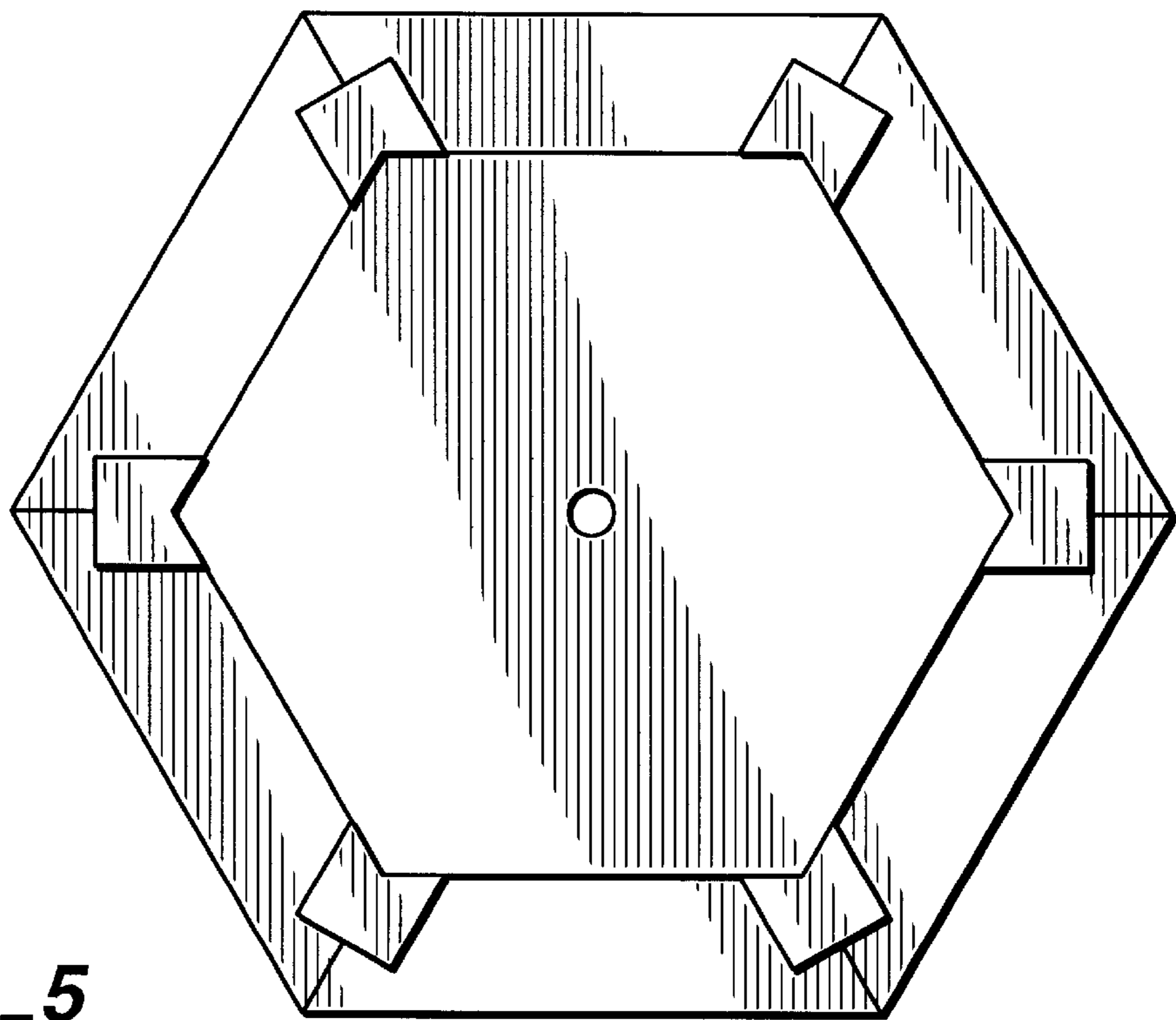


FIG._5