



US00D444732S

(12) **United States Design Patent**
McLeish et al.

(10) **Patent No.:** **US D444,732 S**

(45) **Date of Patent:** **** Jul. 10, 2001**

(54) **SQUARE-BASED CONTAINER FOR BURNING INCENSE**

(75) **Inventors:** **Andrew Robert McLeish**, North Ferriby; **Andrew Robert Edwards**, Swindon, both of (GB)

(73) **Assignee:** **Reckitt Benckiser (UK) Limited**, Slough (GB)

(**) **Term:** **14 Years**

(21) **Appl. No.:** **29/126,588**

(22) **Filed:** **Jul. 18, 2000**

(30) **Foreign Application Priority Data**

Jan. 19, 2000 (GB) 2089607

(51) **LOC (7) Cl.** **11-02**

(52) **U.S. Cl.** **D11/131.1**

(58) **Field of Search** D11/131.1; 422/125, 422/126

(56) **References Cited**

U.S. PATENT DOCUMENTS

D. 61,140 * 6/1922 Lucas D11/131.1

D. 148,418	*	1/1948	Howard	D11/131.1
D. 255,708	*	7/1980	Allen et al.	D11/131.1
D. 264,869	*	6/1982	Gordon	D11/131.1
D. 337,743	*	7/1993	Vullion	D11/131.1
D. 343,807	*	2/1994	Newman et al.	D11/131.1
1,053,873	*	2/1913	Reenstierna	422/126
1,530,103	*	2/1925	Booth	422/126
2,530,529	*	11/1950	Tang	422/126

* cited by examiner

Primary Examiner—Dominic Simone

(74) *Attorney, Agent, or Firm*—Fish & Richardson P.C.

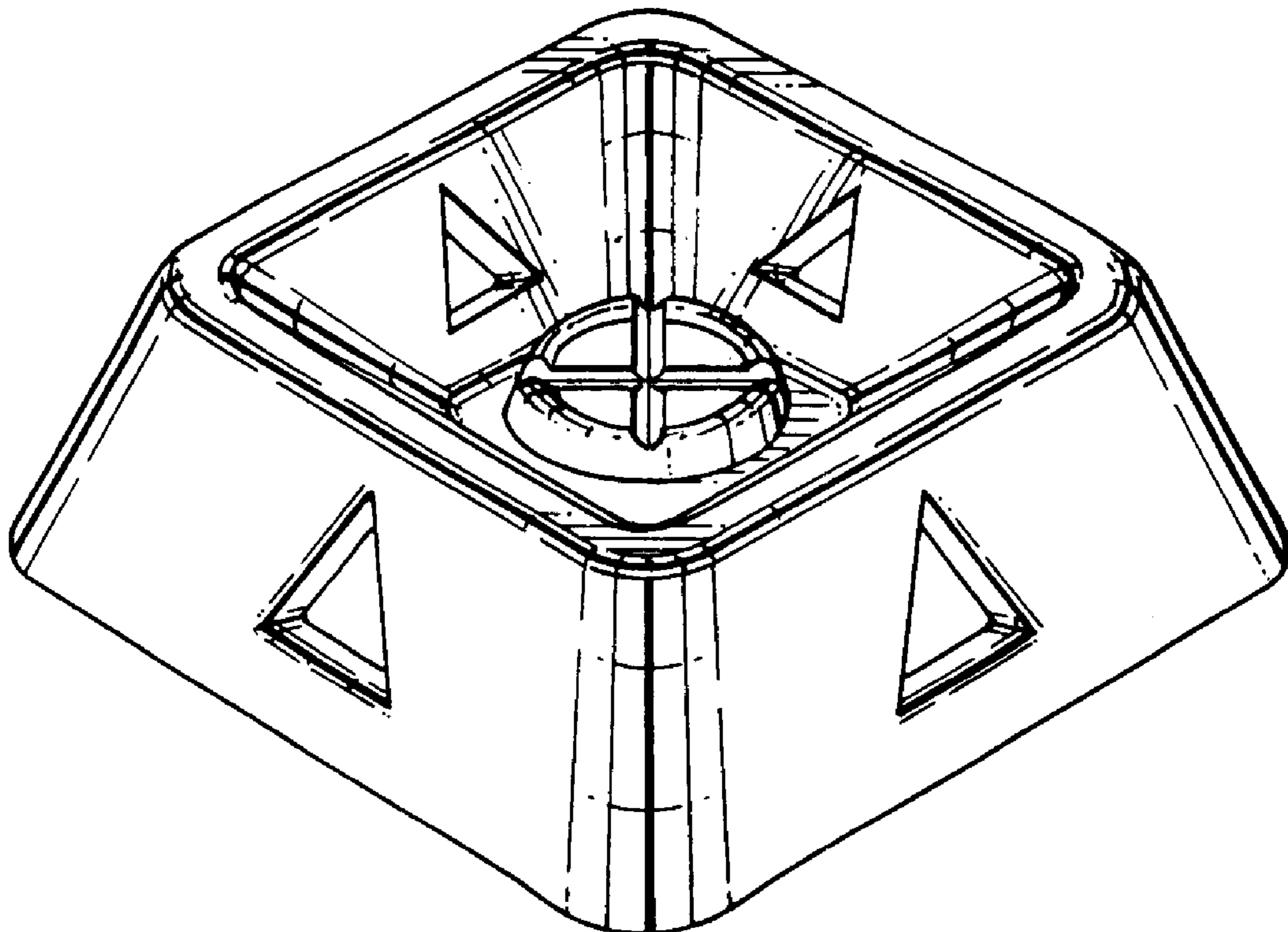
(57) **CLAIM**

The ornamental design for a square-based container for burning incense, as shown and described.

DESCRIPTION

FIG. 1 is a perspective view of the top and two adjacent sides of a square-based container showing our new design; FIG. 2 is an elevational view of one side thereof, the other three sides being substantially identical thereto; and, FIG. 3 is a bottom plan view thereof.

1 Claim, 1 Drawing Sheet



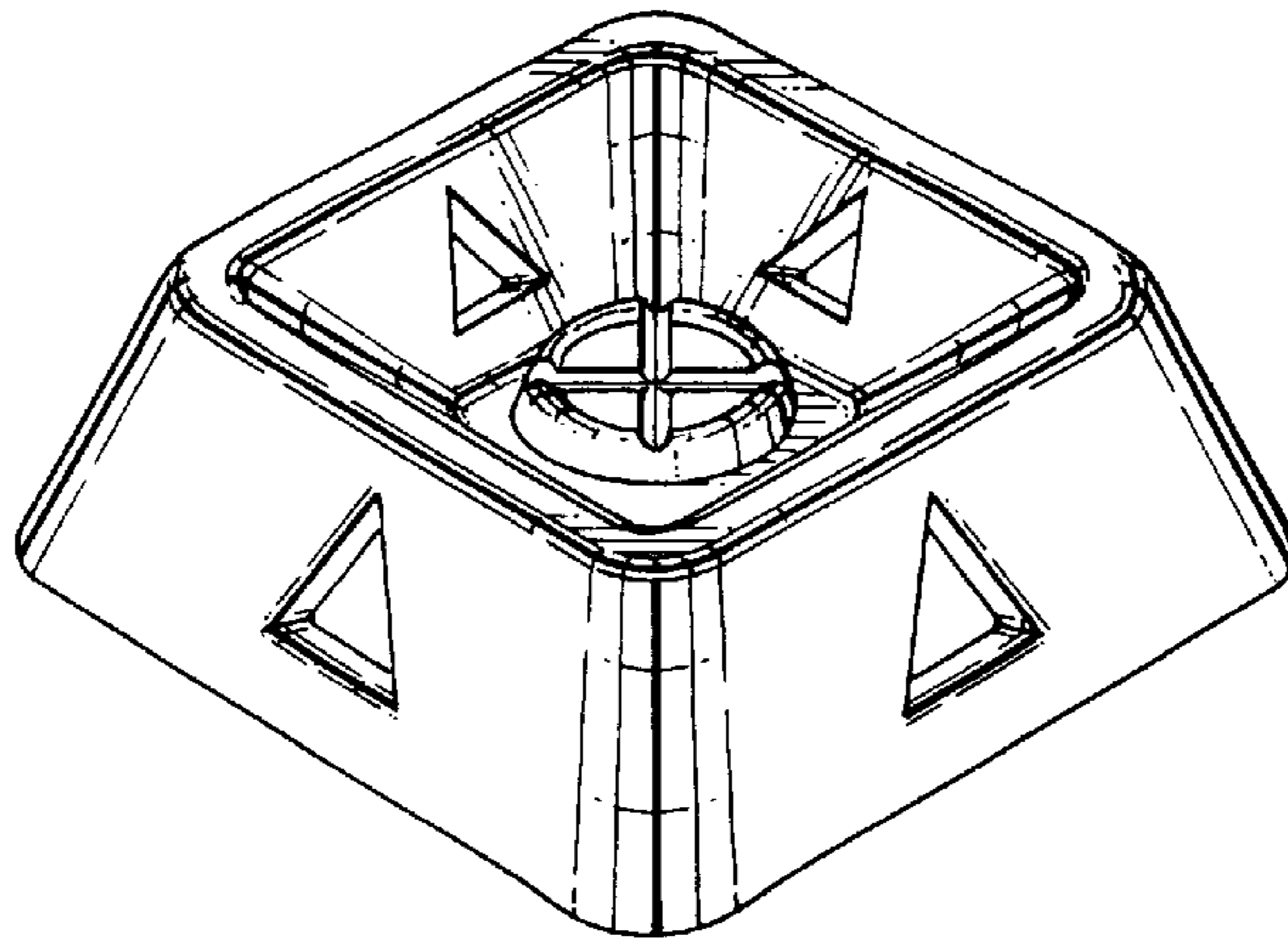


Fig. 1.

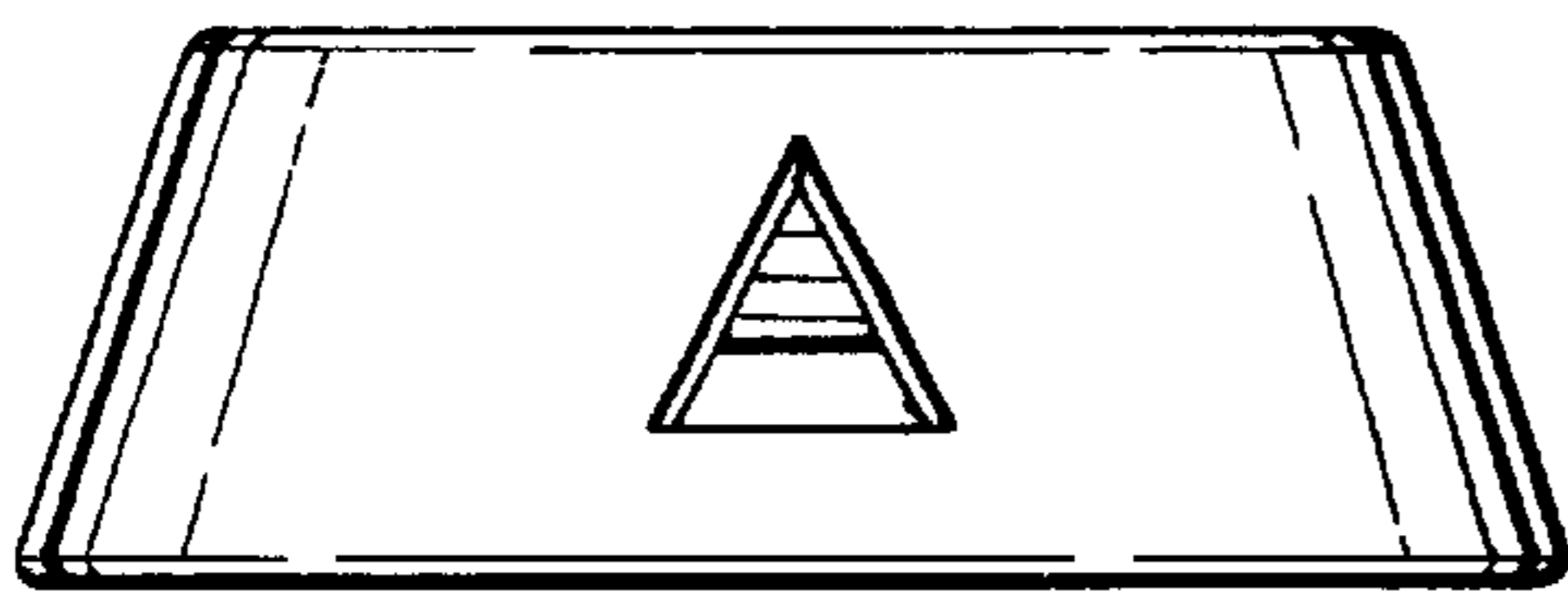


Fig. 2.

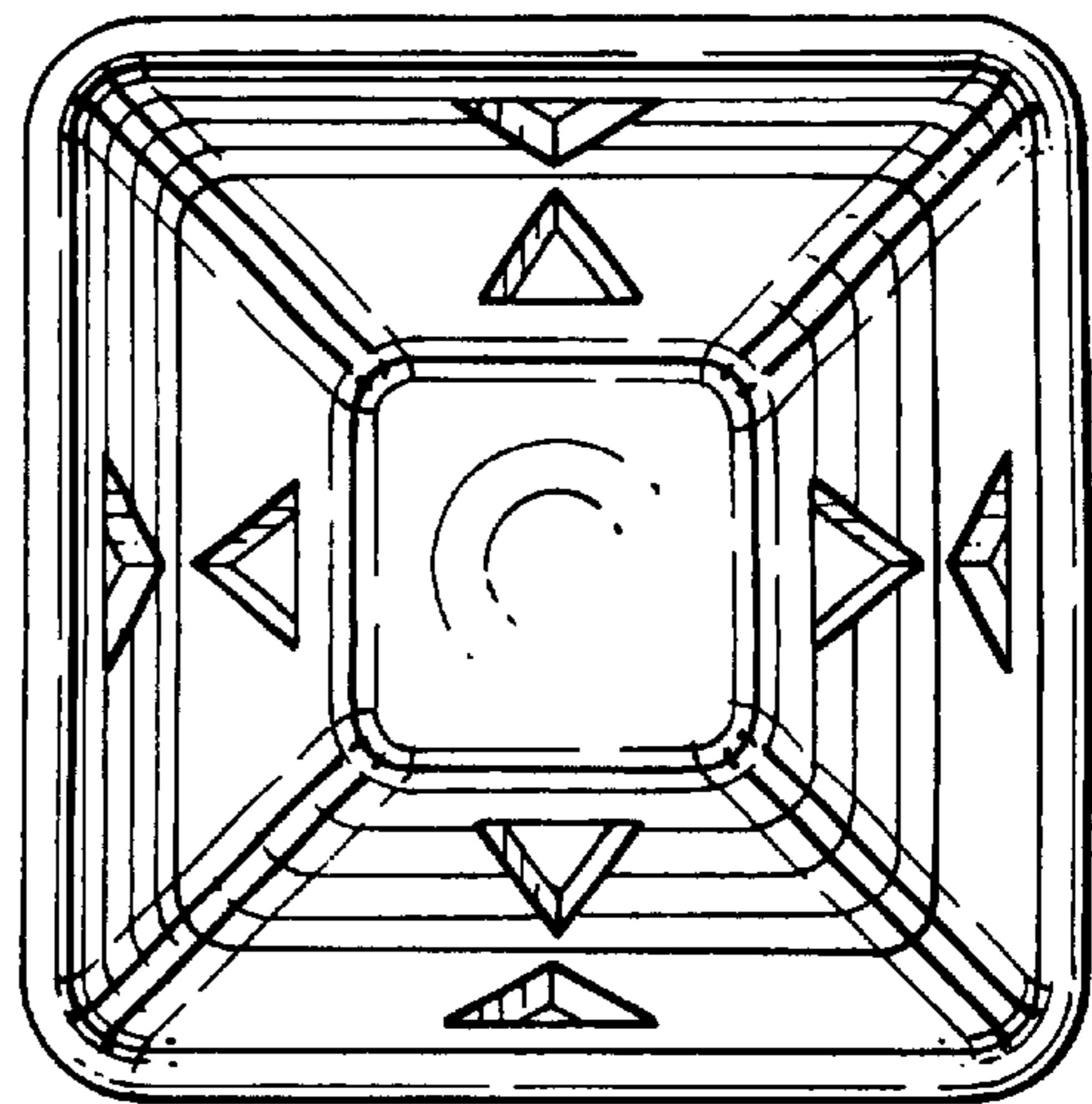


Fig. 3.