



US00D444728S

(12) **United States Design Patent**
Dohrmann

(10) **Patent No.:** **US D444,728 S**

(45) **Date of Patent:** **** Jul. 10, 2001**

(54) **EIGHT SIDED PYRAMID ALARM UNIT**

(75) Inventor: **Anthony Dohrmann**, Huntsville, AL (US)

(73) Assignee: **Laser Shield, Inc.**, Carlsbad, CA (US)

(**) Term: **14 Years**

(21) Appl. No.: **29/131,284**

(22) Filed: **Oct. 13, 2000**

(51) **LOC (7) Cl.** **10-05**

(52) **U.S. Cl.** **D10/106**

(58) **Field of Search** D10/104, 106, D10/116, 121; D13/158; 250/221, 341

(56) **References Cited**

U.S. PATENT DOCUMENTS

- D. 339,107 9/1993 Van Genechten .
- D. 418,440 * 1/2000 Dallaire D10/106
- D. 425,811 5/2000 Dohrmann .

* cited by examiner

Primary Examiner—Marcus A. Jackson
(74) *Attorney, Agent, or Firm*—Jones, Waldo, Holbrook & McDonough; Michael W. Starkweather

(57) **CLAIM**

The ornamental design for a eight sided pyramid alarm unit, as shown and described.

DESCRIPTION

FIG. 1 shows a perspective front side view illustrating a top light, a front top infrared sensor, and a lower straight array of light emitting diodes;

FIG. 2 shows a perspective rear side view showing a top emergency button, a middle speaker hole grid, and a lower telephone line connection;

FIG. 3 shows a front elevational view;

FIG. 4 shows a rear elevational view opposite to FIG. 3;

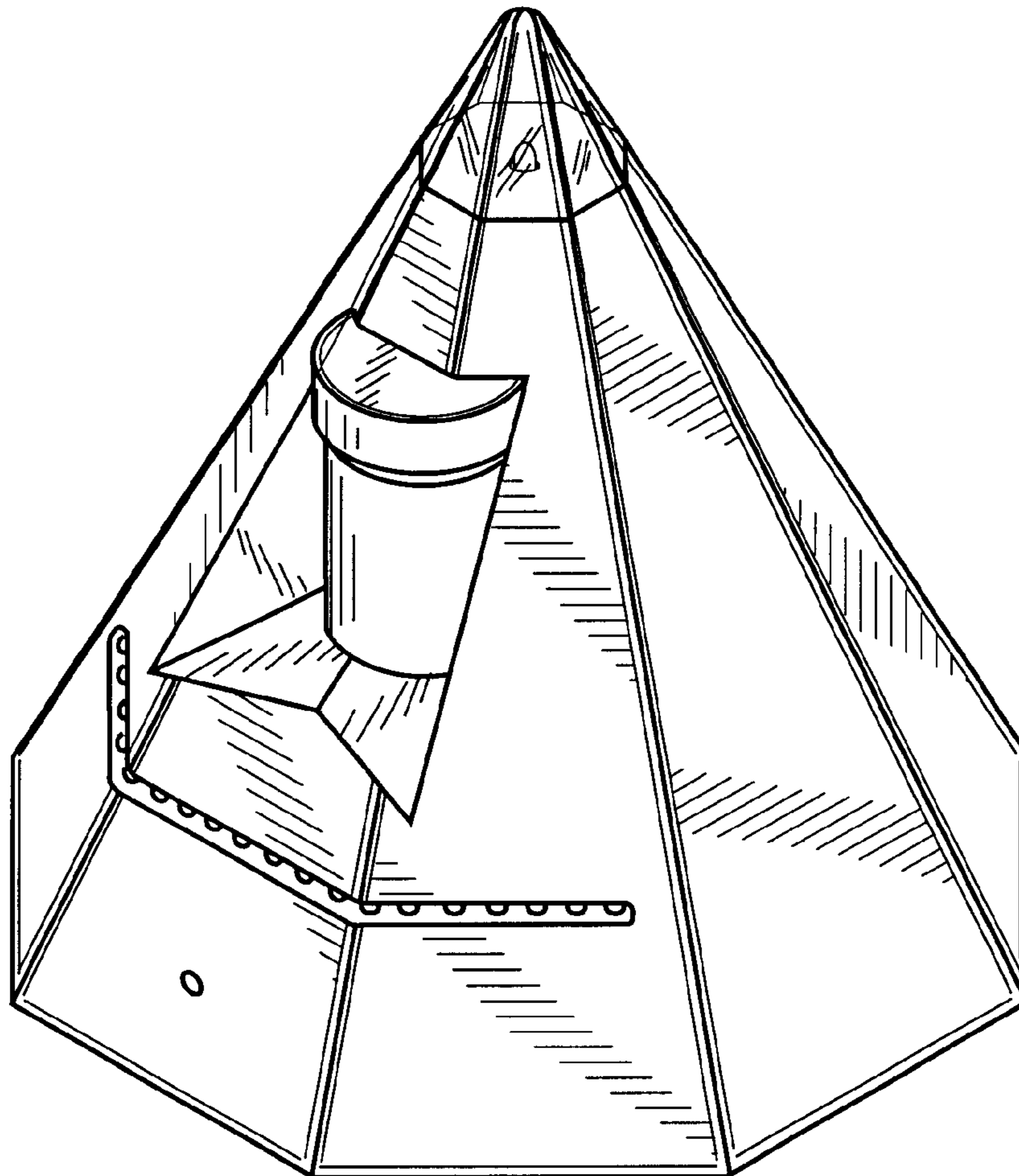
FIG. 5 shows a side elevational view;

FIG. 6 shows a side elevational view opposite to FIG. 4;

FIG. 7 shows a top plan view; and,

FIG. 8 shows a bottom plan view.

1 Claim, 2 Drawing Sheets



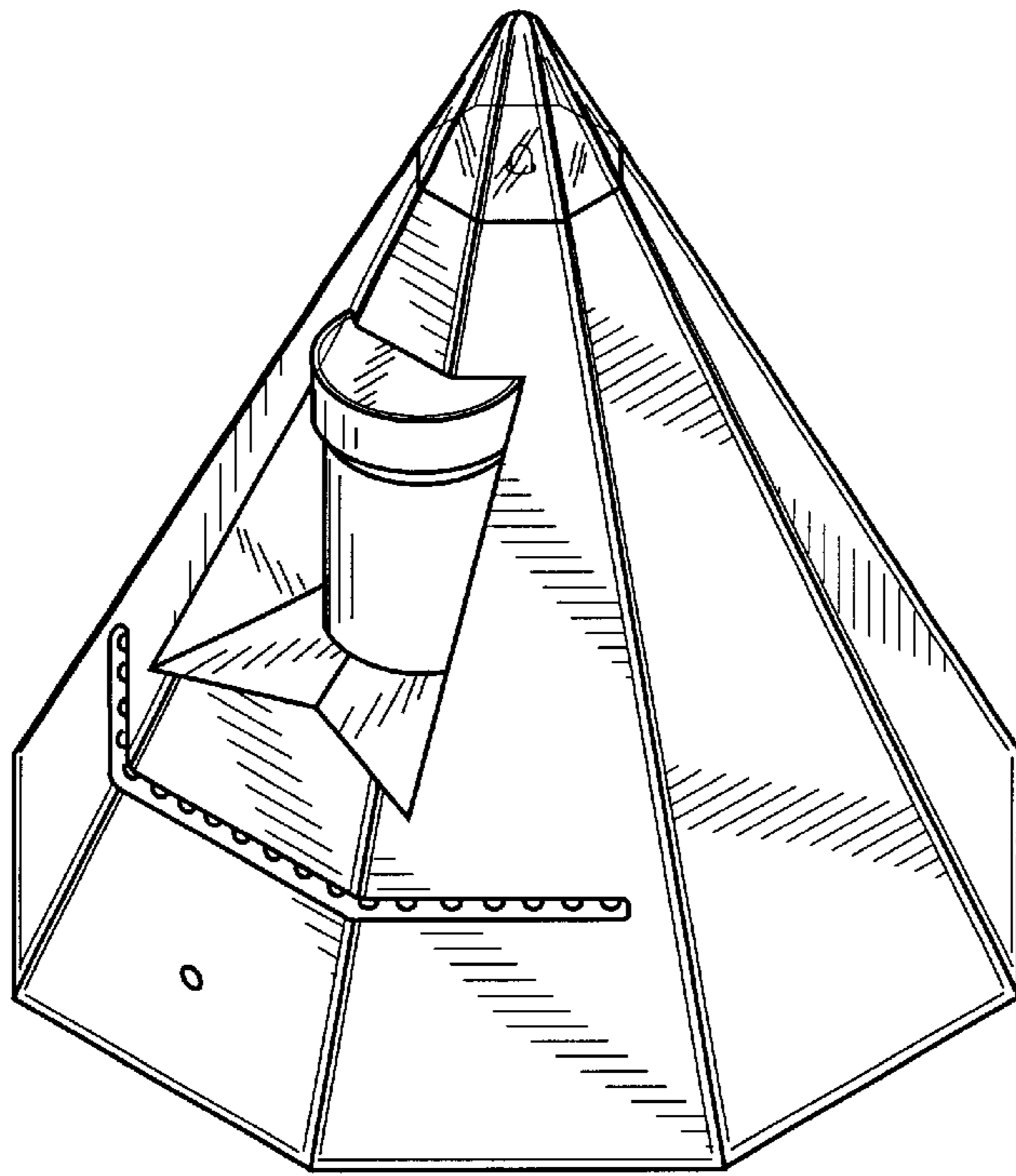


Fig. 1

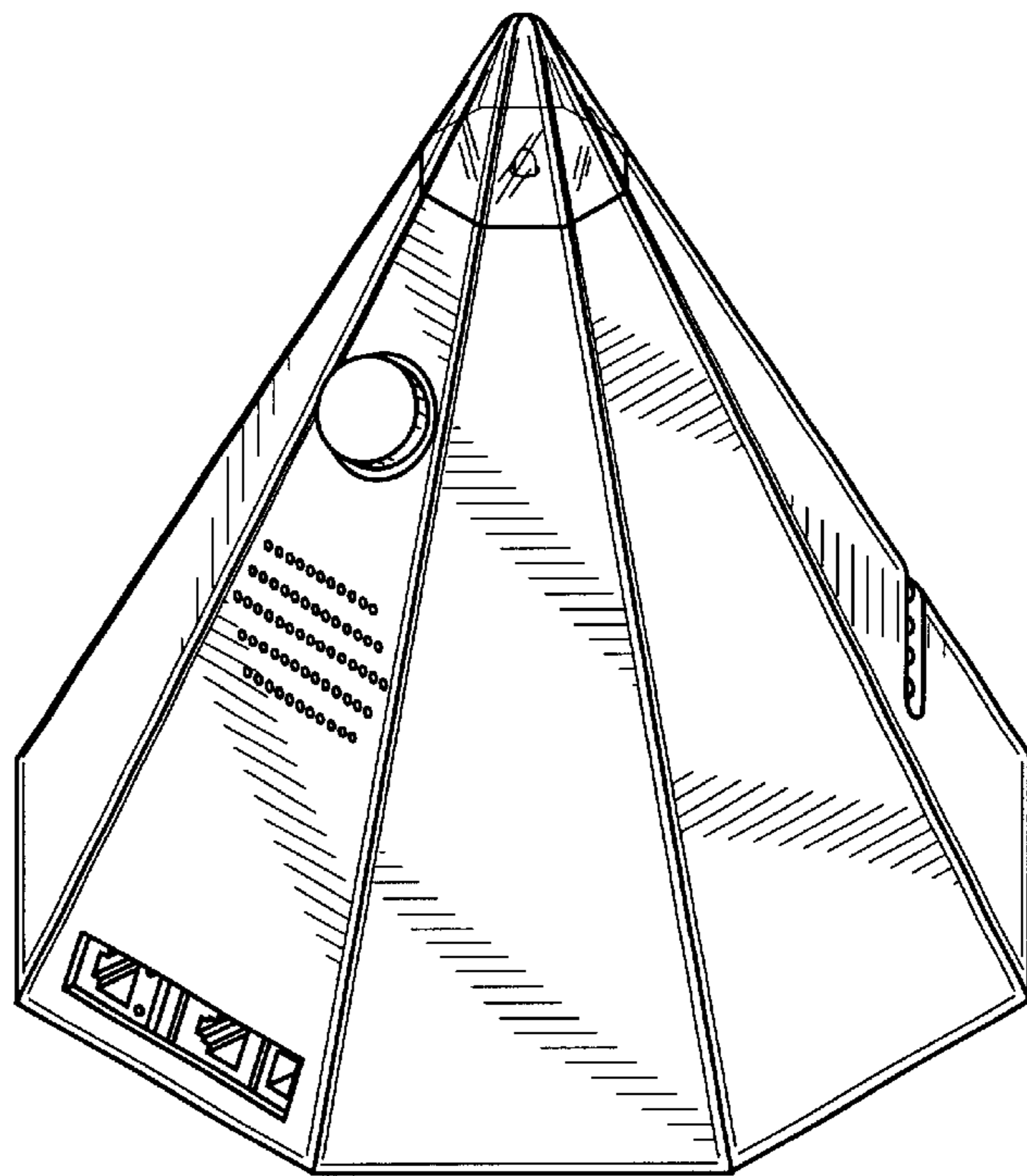


Fig. 2

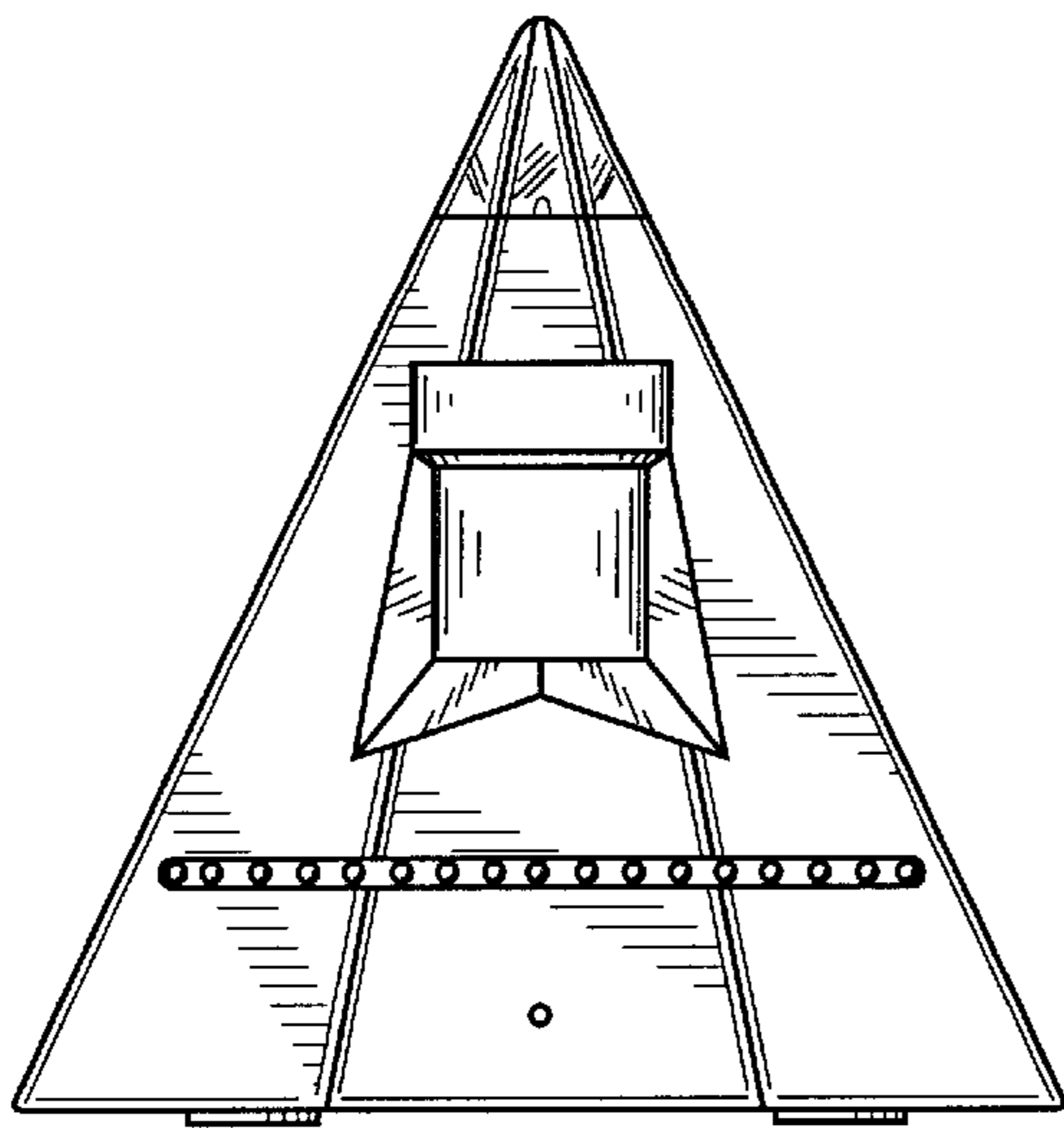


Fig. 3

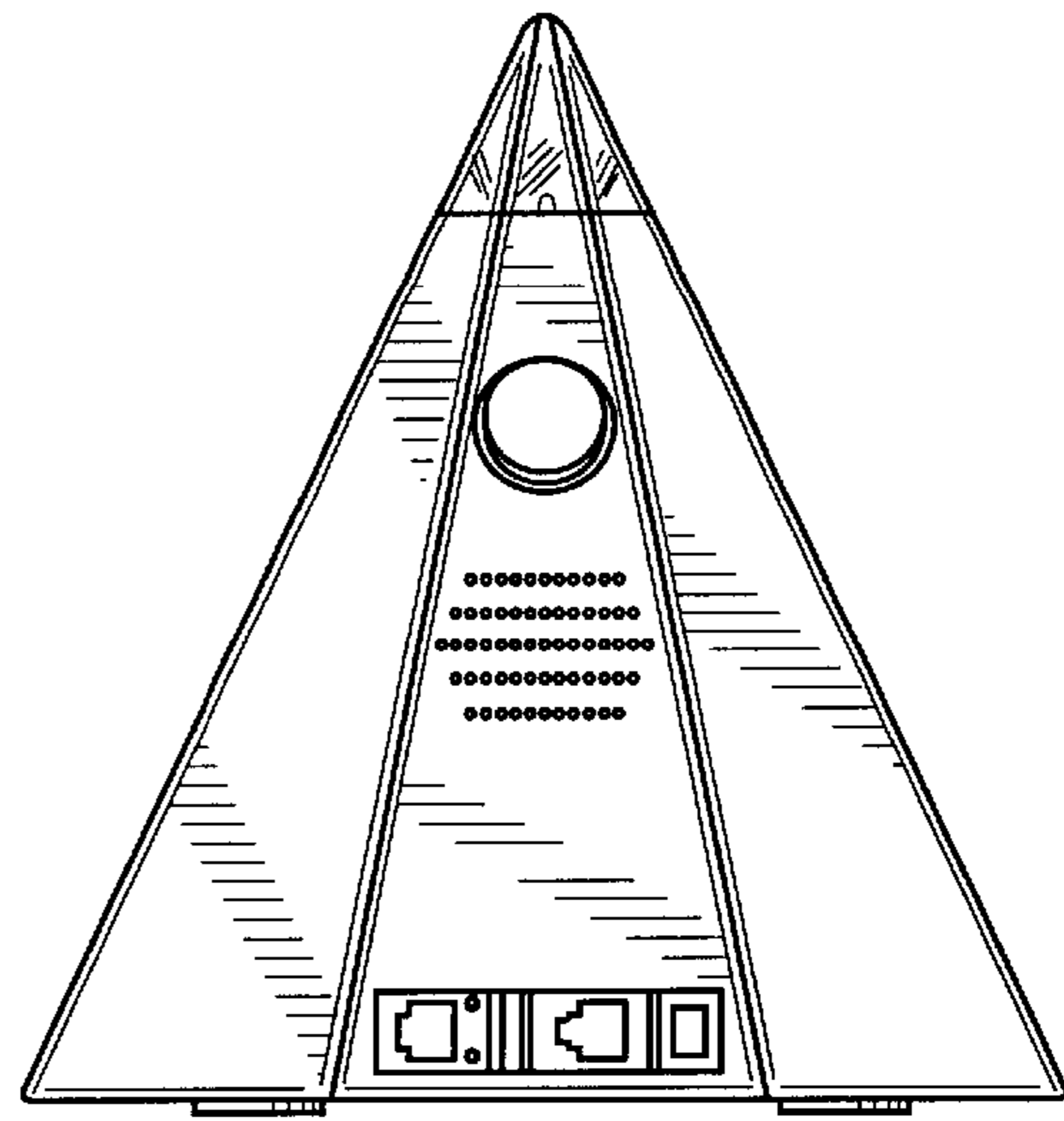


Fig. 4

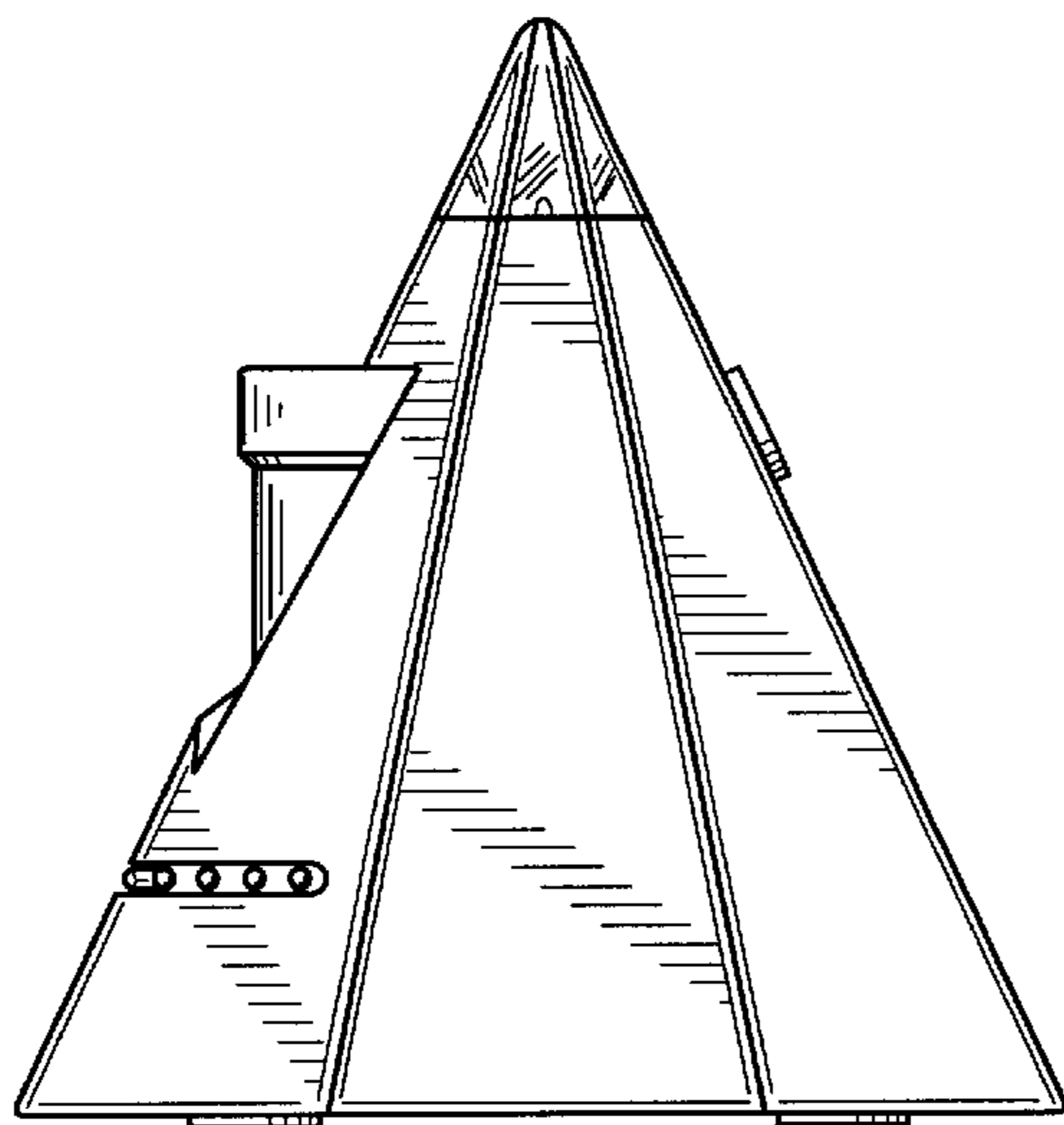


Fig. 5

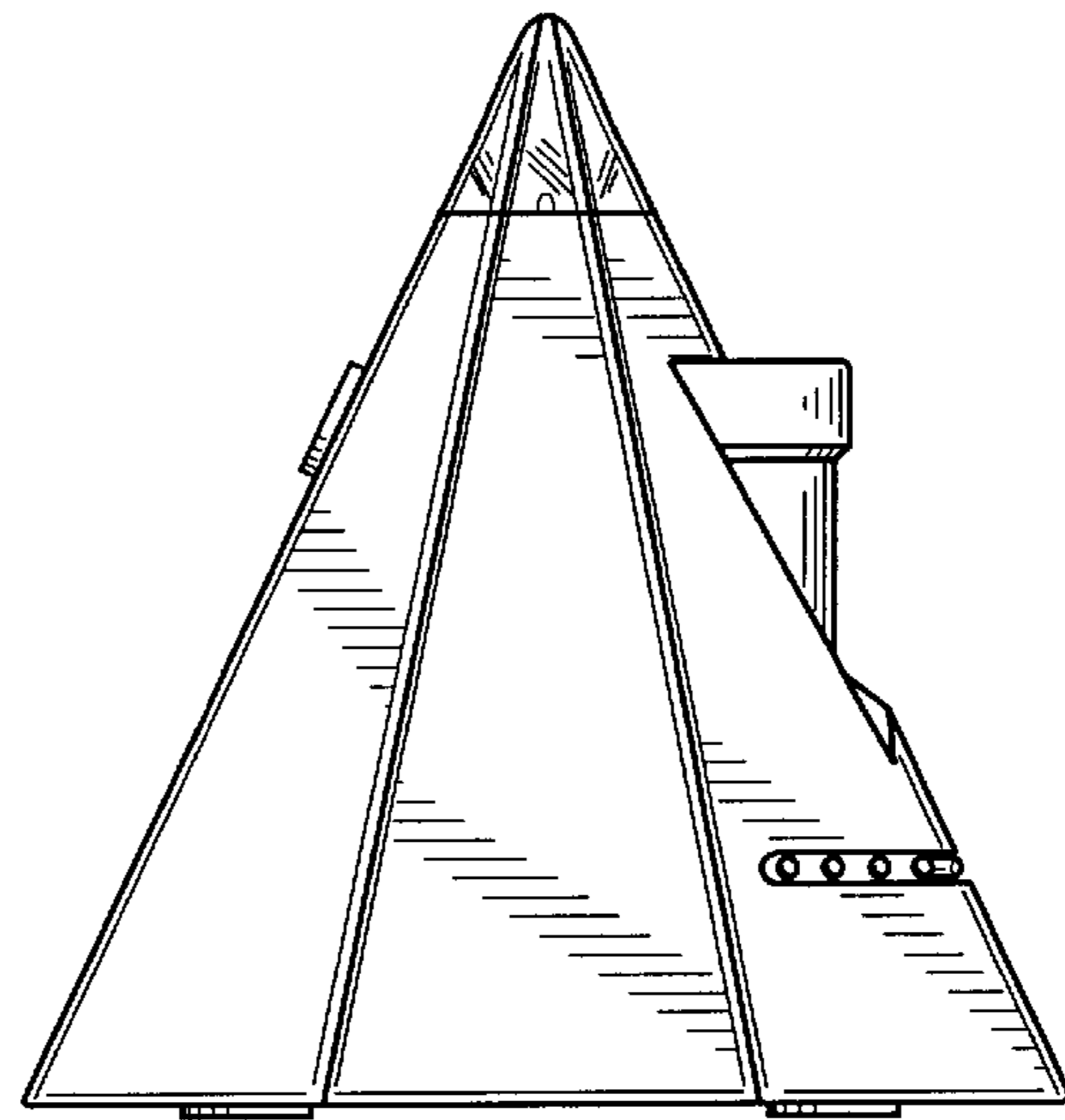


Fig. 6

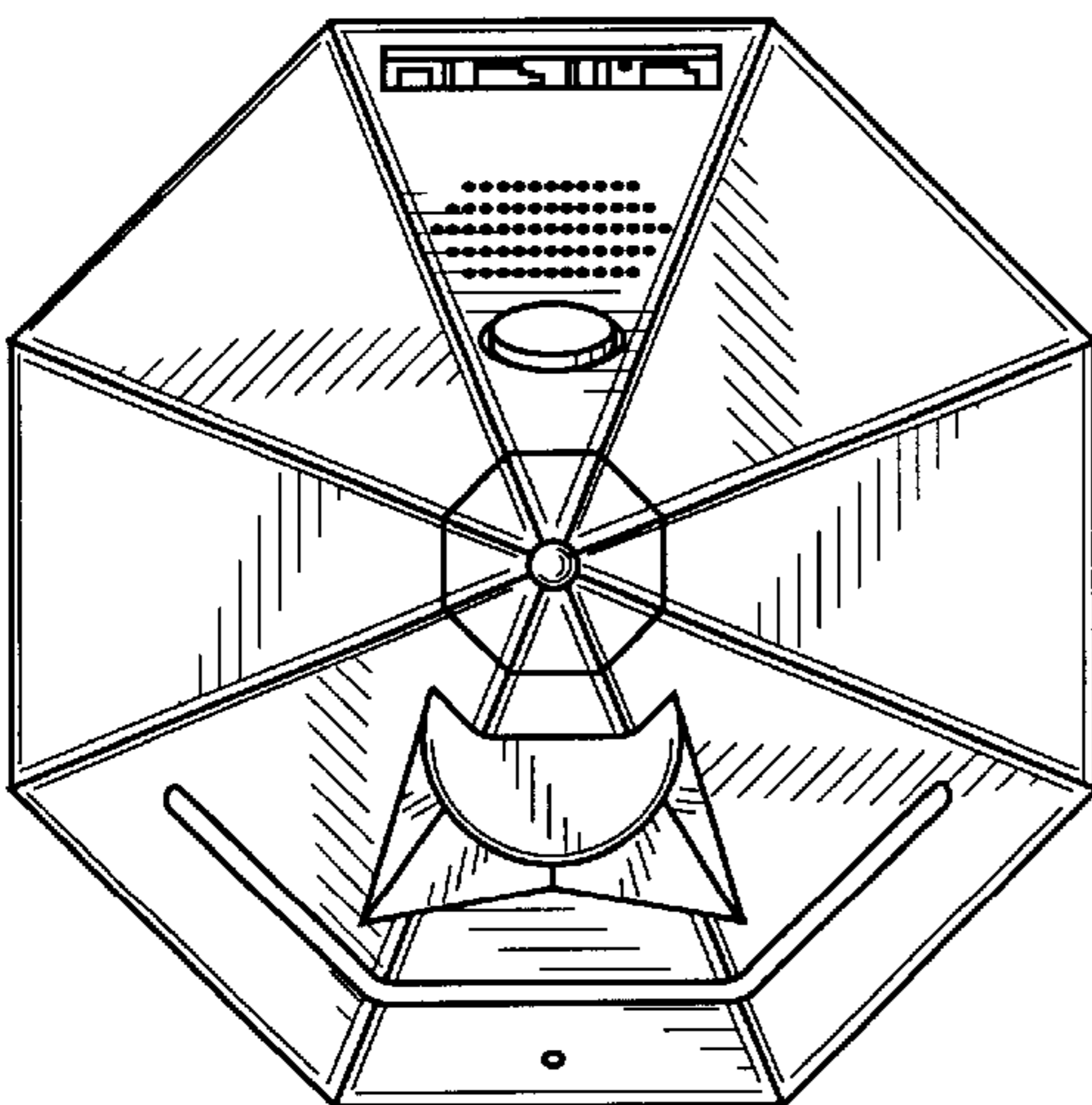


Fig. 7

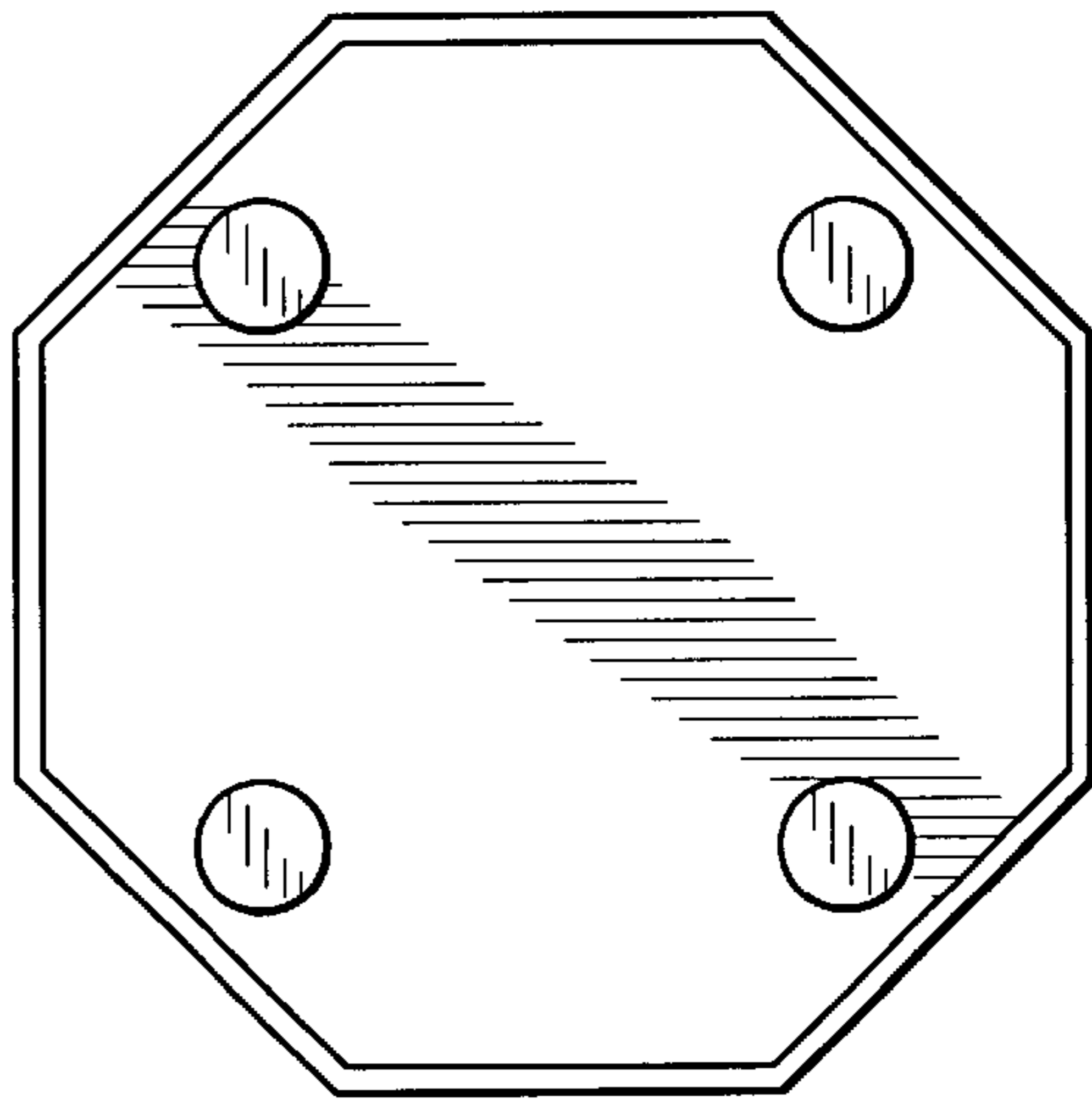


Fig. 8