



US00D444727S

(12) **United States Design Patent**
Furmidge

(10) **Patent No.:** **US D444,727 S**

(45) **Date of Patent:** **** Jul. 10, 2001**

- (54) **PAD** 4,868,893 * 9/1989 Hammond 340/310.02
- (75) **Inventor:** **Neil Andrew Furmidge, Chesterfield** 5,278,551 * 1/1994 Wakatsuki et al. 340/310.02
(GB) 5,546,318 * 8/1996 Lee, Jr. 340/310.02
- (73) **Assignee:** **Fusion Meters Limited (GB)**
- (**) **Term:** **14 Years**
- (21) **Appl. No.:** **29/114,619**
- (22) **Filed:** **Nov. 29, 1999**
- (30) **Foreign Application Priority Data**
- May 28, 1999 (GB) 2083819
- (51) **LOC (7) Cl.** **10-04**
- (52) **U.S. Cl.** **D10/99**
- (58) **Field of Search** D10/46, 78, 96,
D10/99, 100, 101; 340/310.02, 310.06,
310.07, 870.08, 870.05, 143; 702/61
- (56) **References Cited**
- U.S. PATENT DOCUMENTS**
- 4,652,855 * 3/1987 Weikel 340/310.02

* cited by examiner

Primary Examiner—Antoine Duval Davis
(74) *Attorney, Agent, or Firm*—Ostrager Chong & Flaherty
LLP

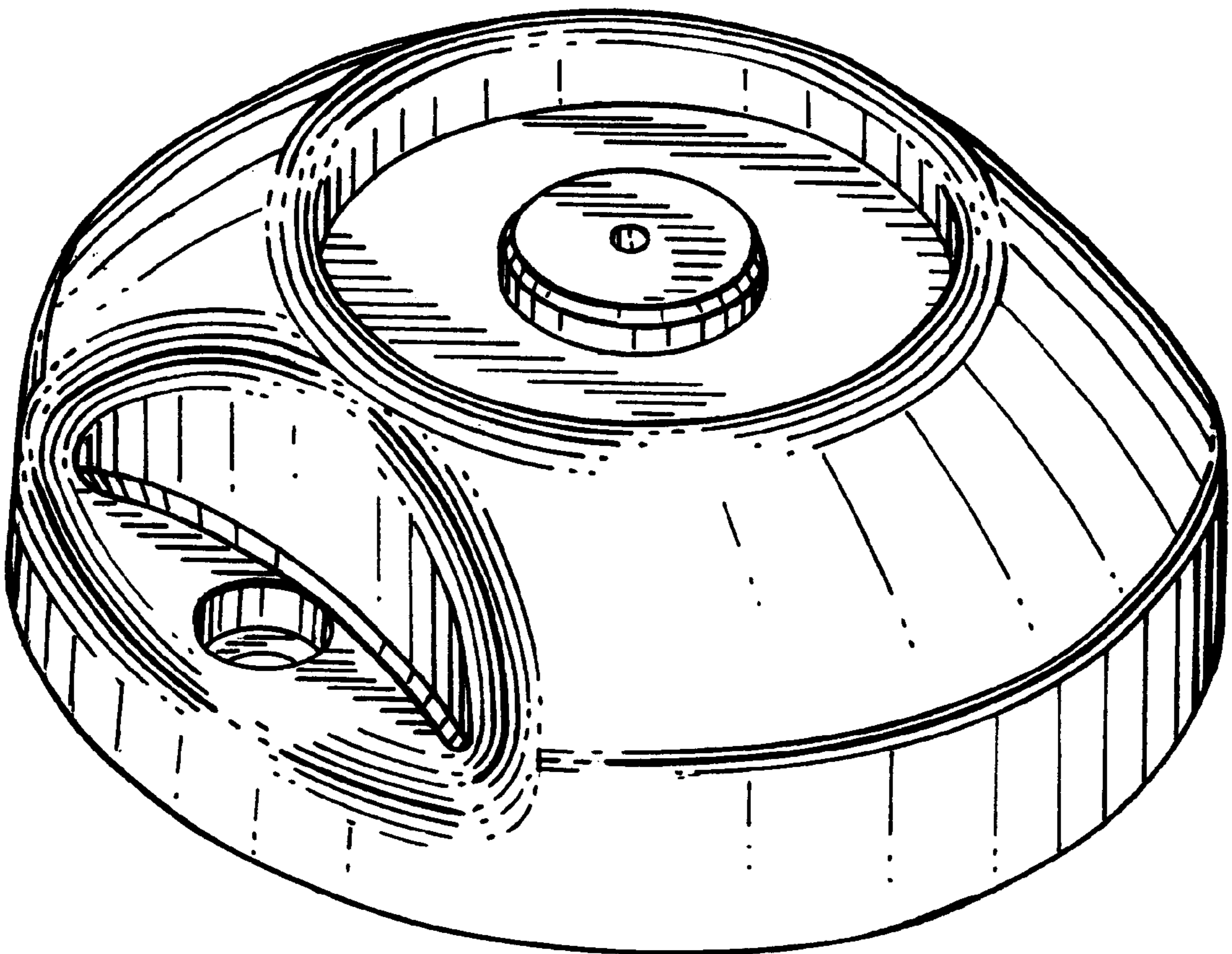
(57) **CLAIM**

The ornamental design for a pad, as shown and described.

DESCRIPTION

FIG. 1 is a top, side and end perspective view of a preferred embodiment of the design of the invention;
FIG. 2 is a side view thereof (the opposite side is a mirror image);
FIG. 3 is a top plan view thereof; and,
FIG. 4 is an end view thereof (the opposite end is a mirror image).
The bottom is plain and unornamented and forms no part of the claimed design.

1 Claim, 2 Drawing Sheets



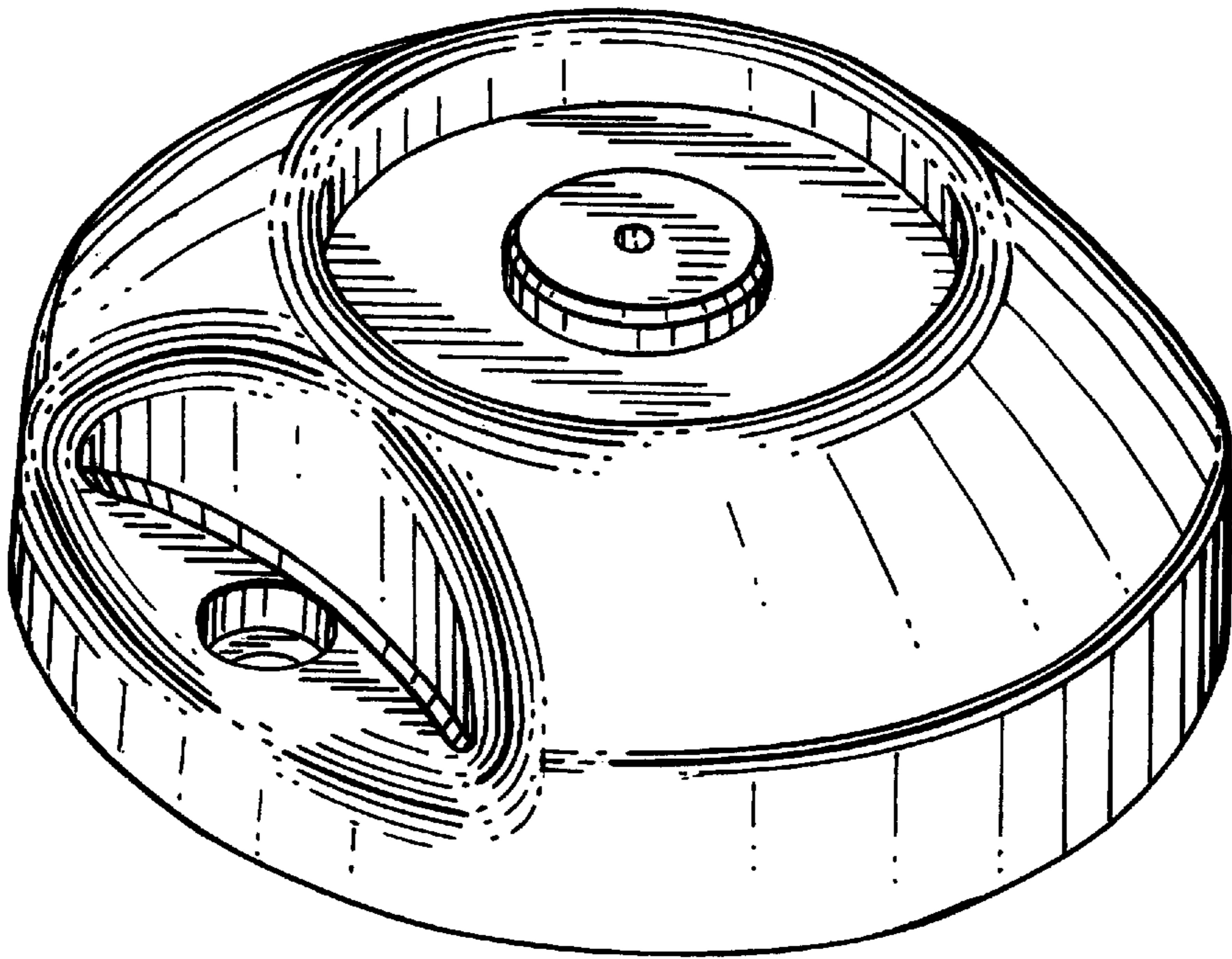


FIG. 1

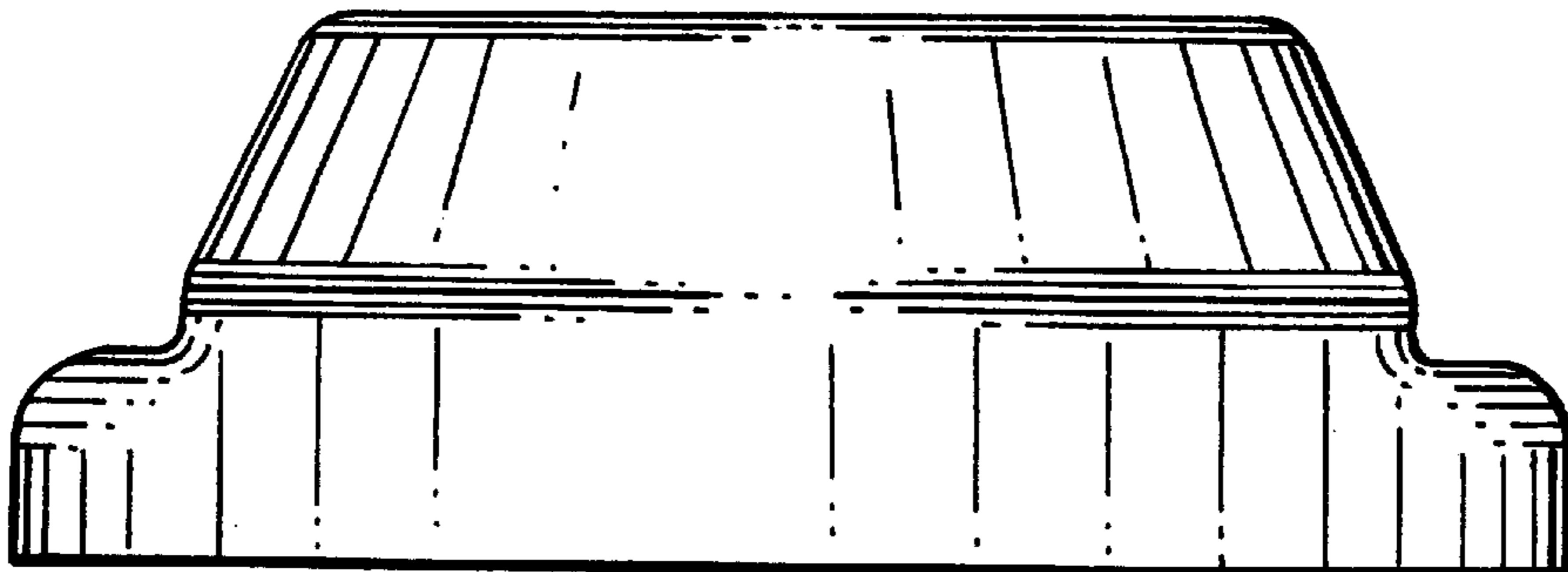


FIG. 2

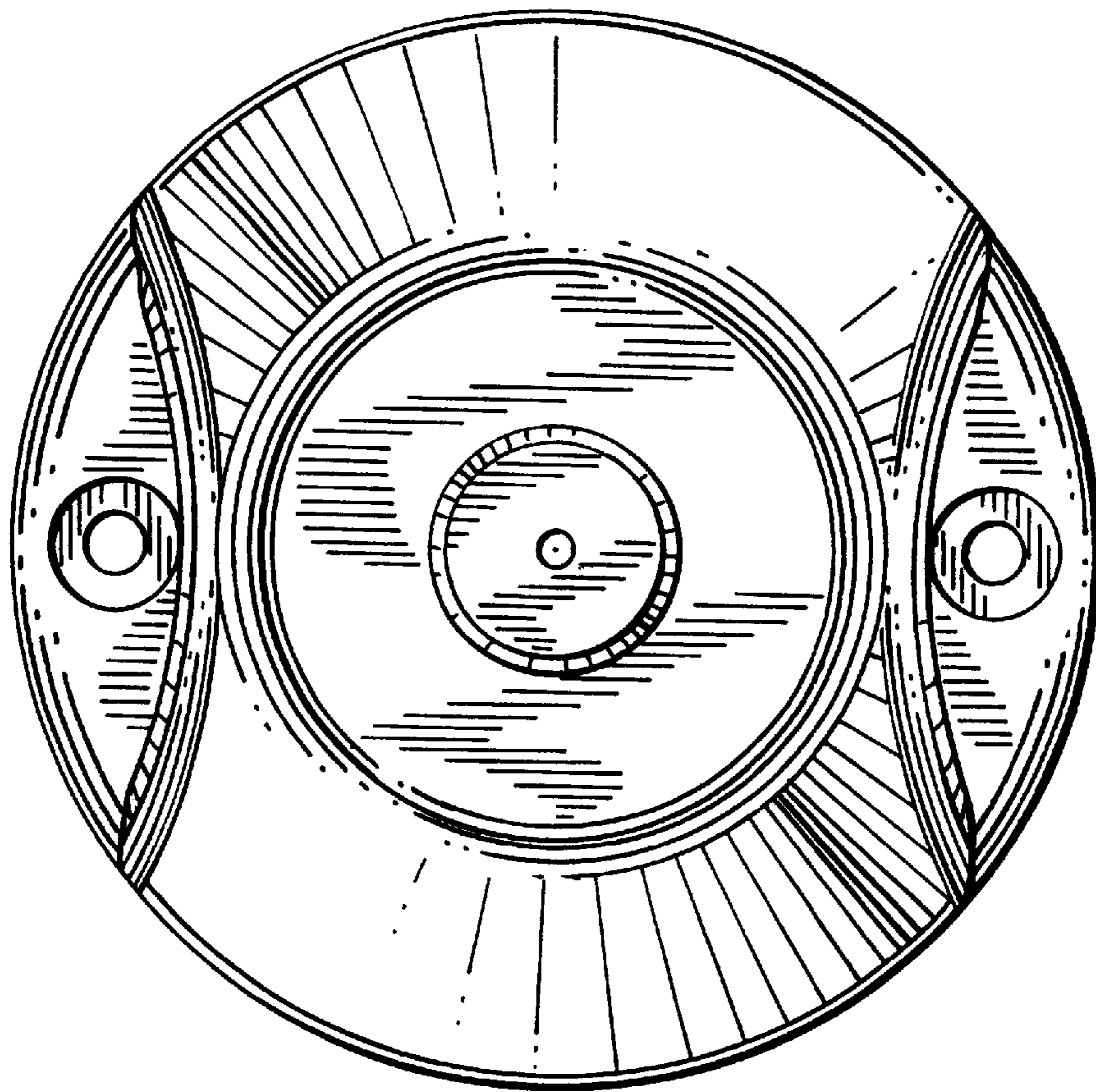


FIG. 3

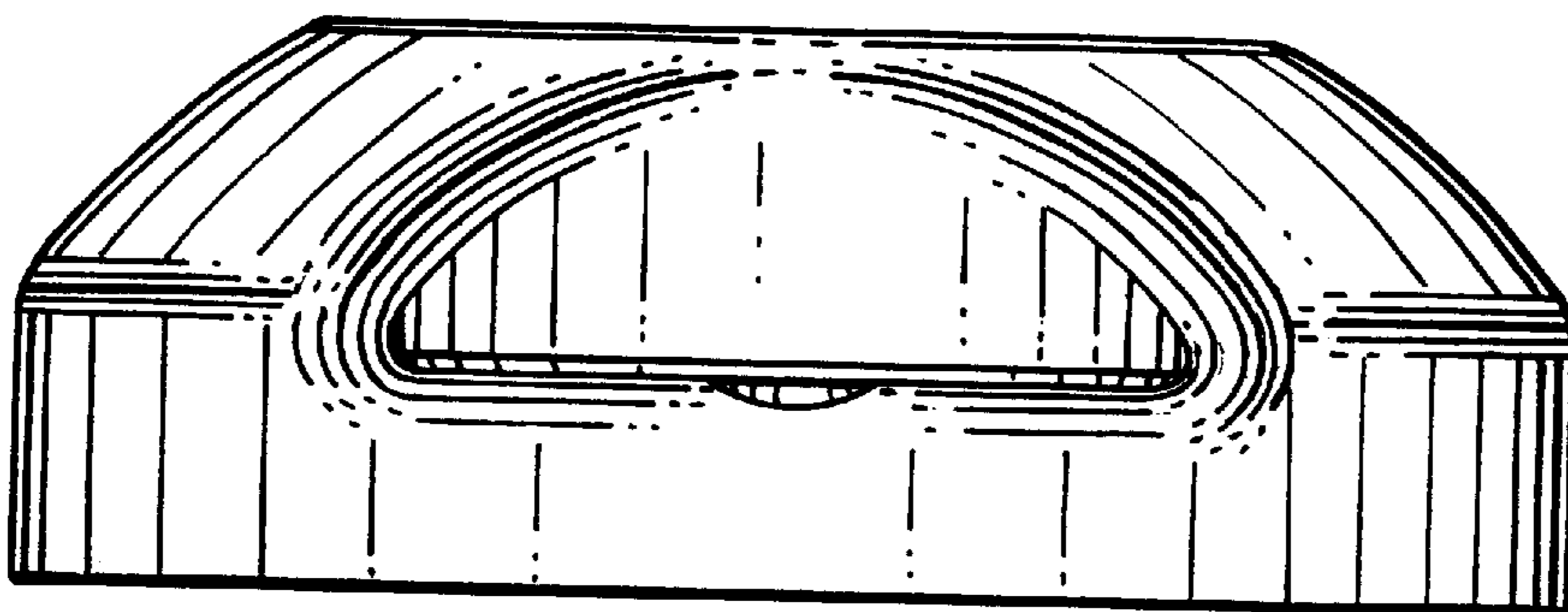


FIG. 4