



US00D444726S

(12) **United States Design Patent**  
**Spagnolo**

(10) **Patent No.:** **US D444,726 S**

(45) **Date of Patent:** **\*\* Jul. 10, 2001**

(54) **SCALE**

(75) Inventor: **Pino Spagnolo**, Beinasco (IT)

(73) Assignee: **Soehnle AG**, Montlingen (CH)

(\*\*) Term: **14 Years**

(21) Appl. No.: **29/125,882**

(22) Filed: **Jul. 5, 2000**

(30) **Foreign Application Priority Data**

Feb. 9, 2000 (DE) ..... 400 01 455

(51) **LOC (7) Cl.** ..... **10-04**

(52) **U.S. Cl.** ..... **D10/92**

(58) **Field of Search** ..... D10/92; 177/238-245

(56) **References Cited**

**U.S. PATENT DOCUMENTS**

D. 415,051 \* 10/1999 Fabian ..... D10/92

\* cited by examiner

*Primary Examiner*—Antoine Duval Davis

(74) *Attorney, Agent, or Firm*—Jones, Tullar & Cooper, P.C.

(57) **CLAIM**

The ornamental design for a scale, as shown and described.

**DESCRIPTION**

FIG. 1 is a top view of a scale according to the present invention;

FIG. 2 is a left front side perspective view of the scale of FIG. 1;

FIG. 3 is a left rear side perspective view of the scale of FIGS. 1-2;

FIG. 4 is a front elevation view of a scale of FIGS. 1-3;

FIG. 5 is a rear elevation view of the scale of FIGS. 1-4;

FIG. 6 is a left side elevation view of the scale of FIGS. 1-5;

FIG. 7 is a bottom view of the scale of FIGS. 1-6;

FIG. 8 is a variant top view of the scale according to the present invention;

FIG. 9 is a left front side perspective view of the scale of FIG. 8;

FIG. 10 is a left rear side view of the scale of FIGS. 8 and 9;

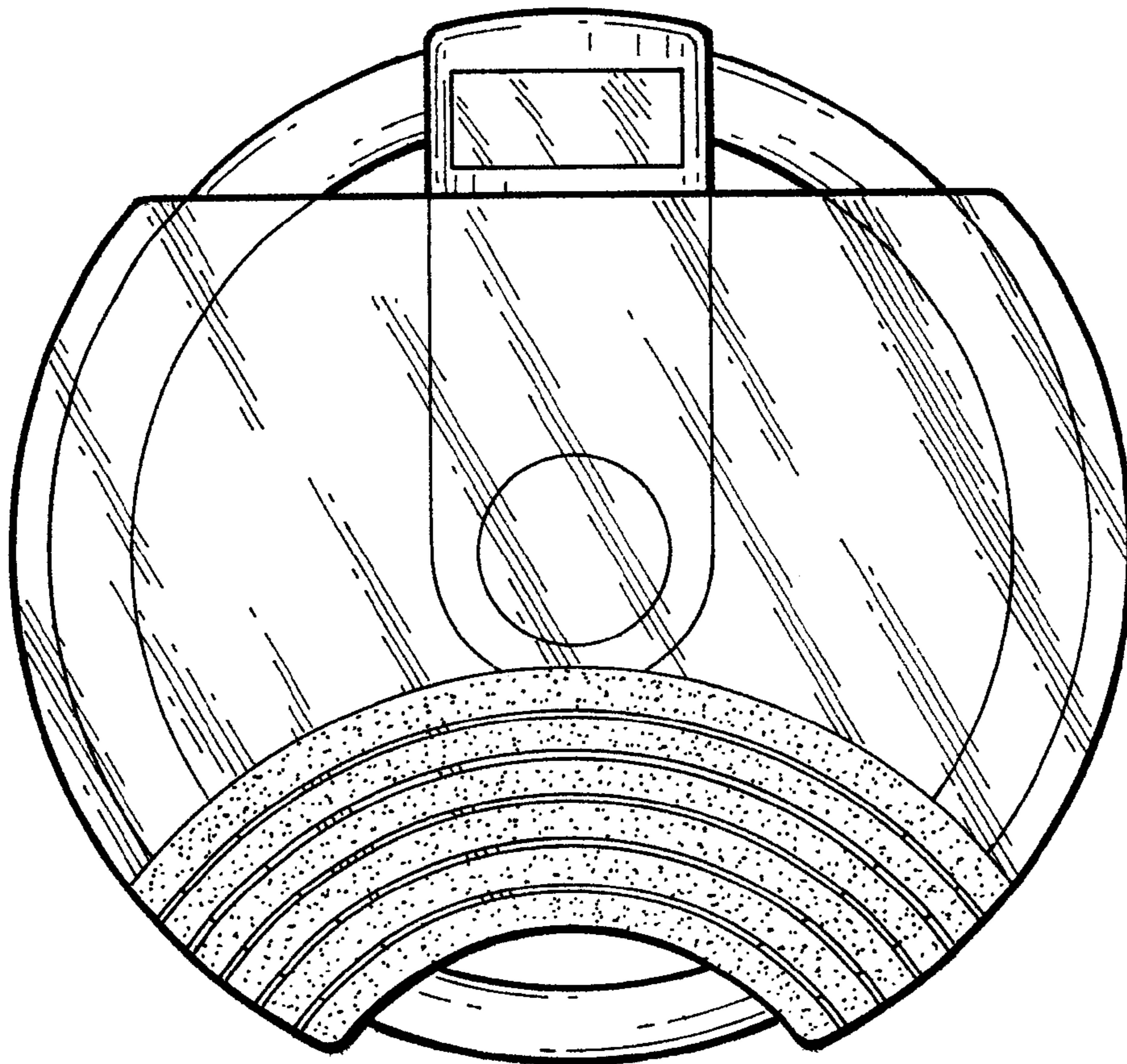
FIG. 11 is a front elevation view of the scale of FIGS. 8-10;

FIG. 12 is a rear elevation view of the scale of FIGS. 8-11;

FIG. 13 is a left side elevation view of the scale of FIGS. 8-12; and,

FIG. 14 is a bottom view of the scale of FIGS. 8-13.

**1 Claim, 4 Drawing Sheets**



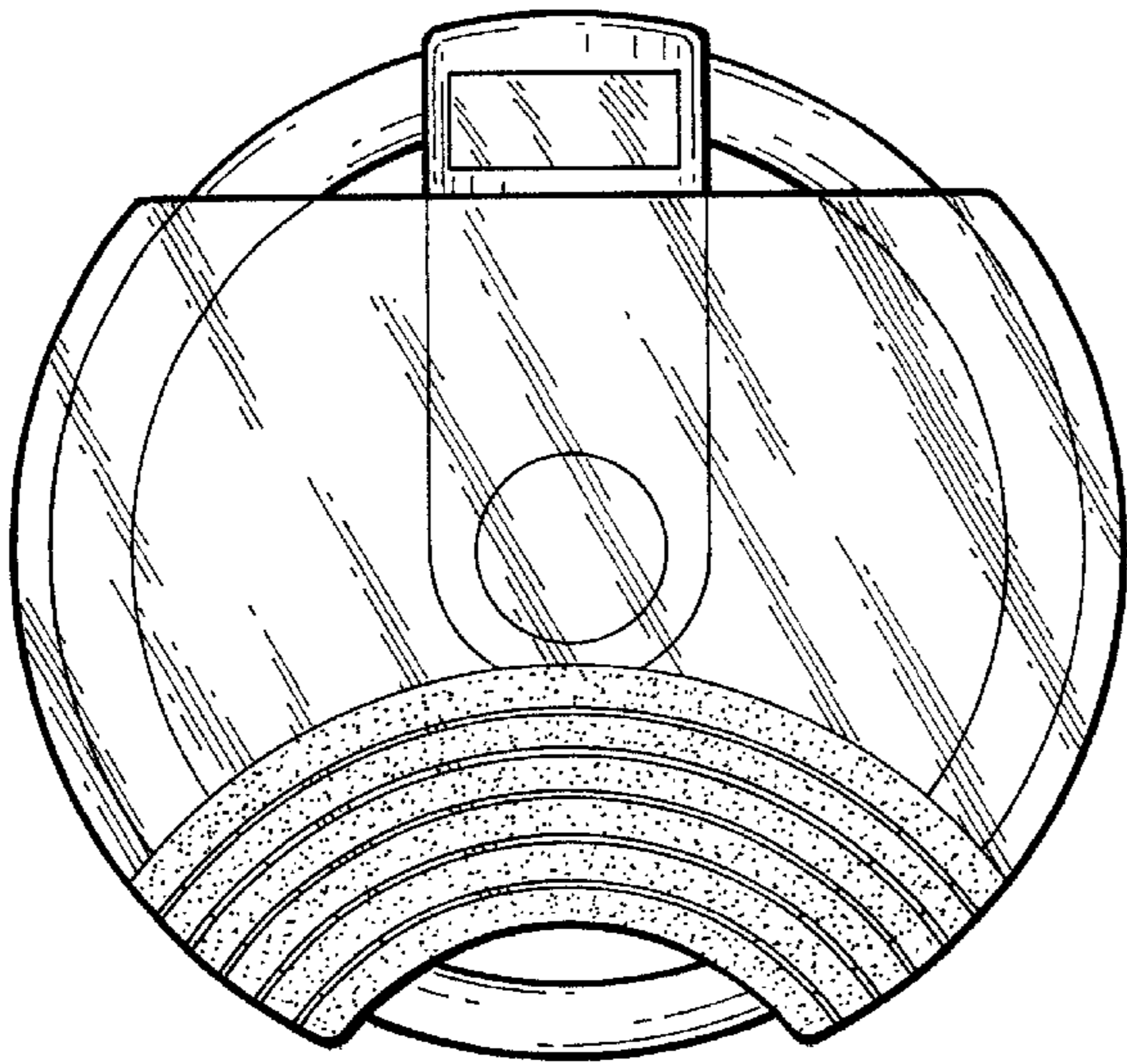


FIG. 1

FIG. 2

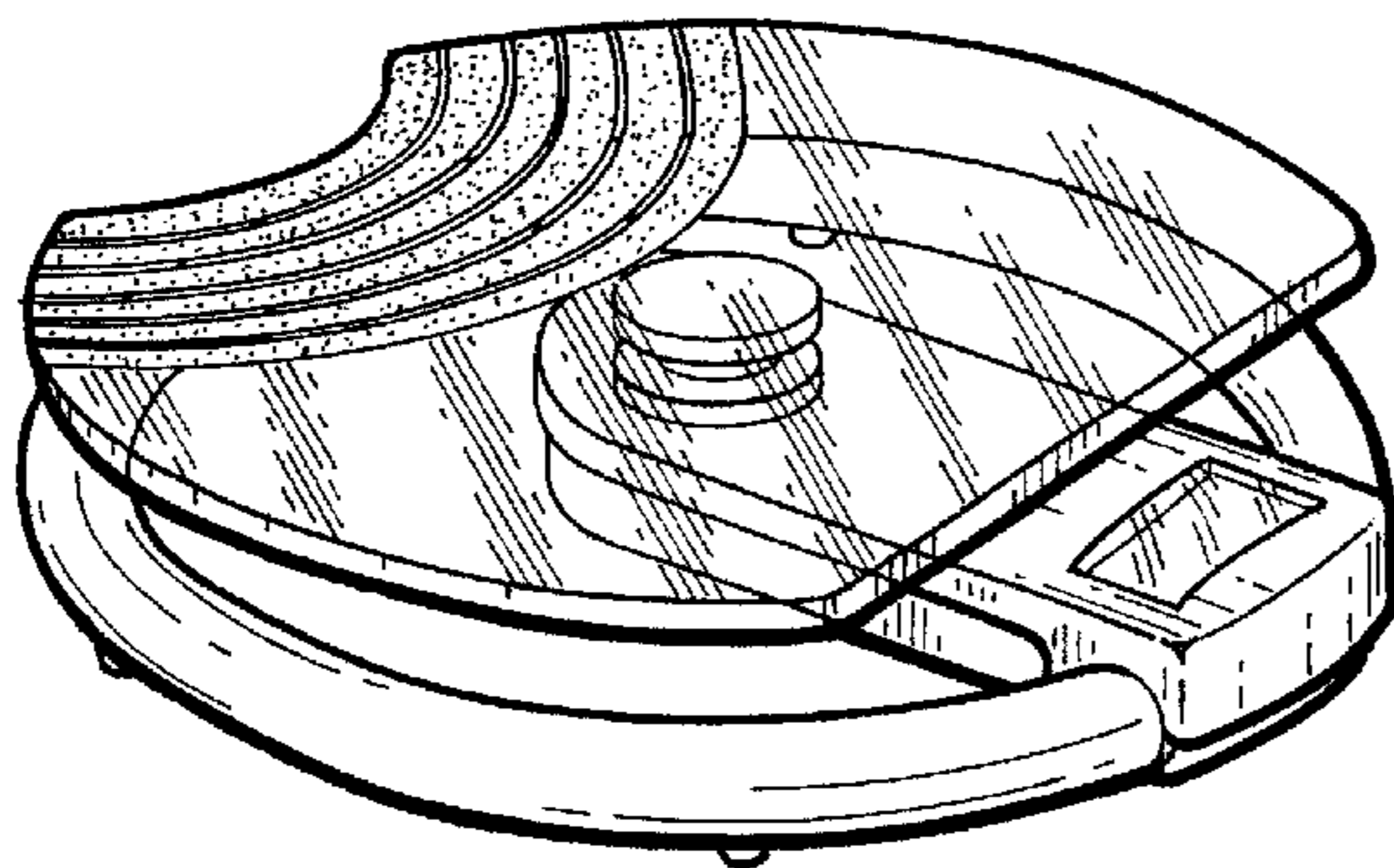
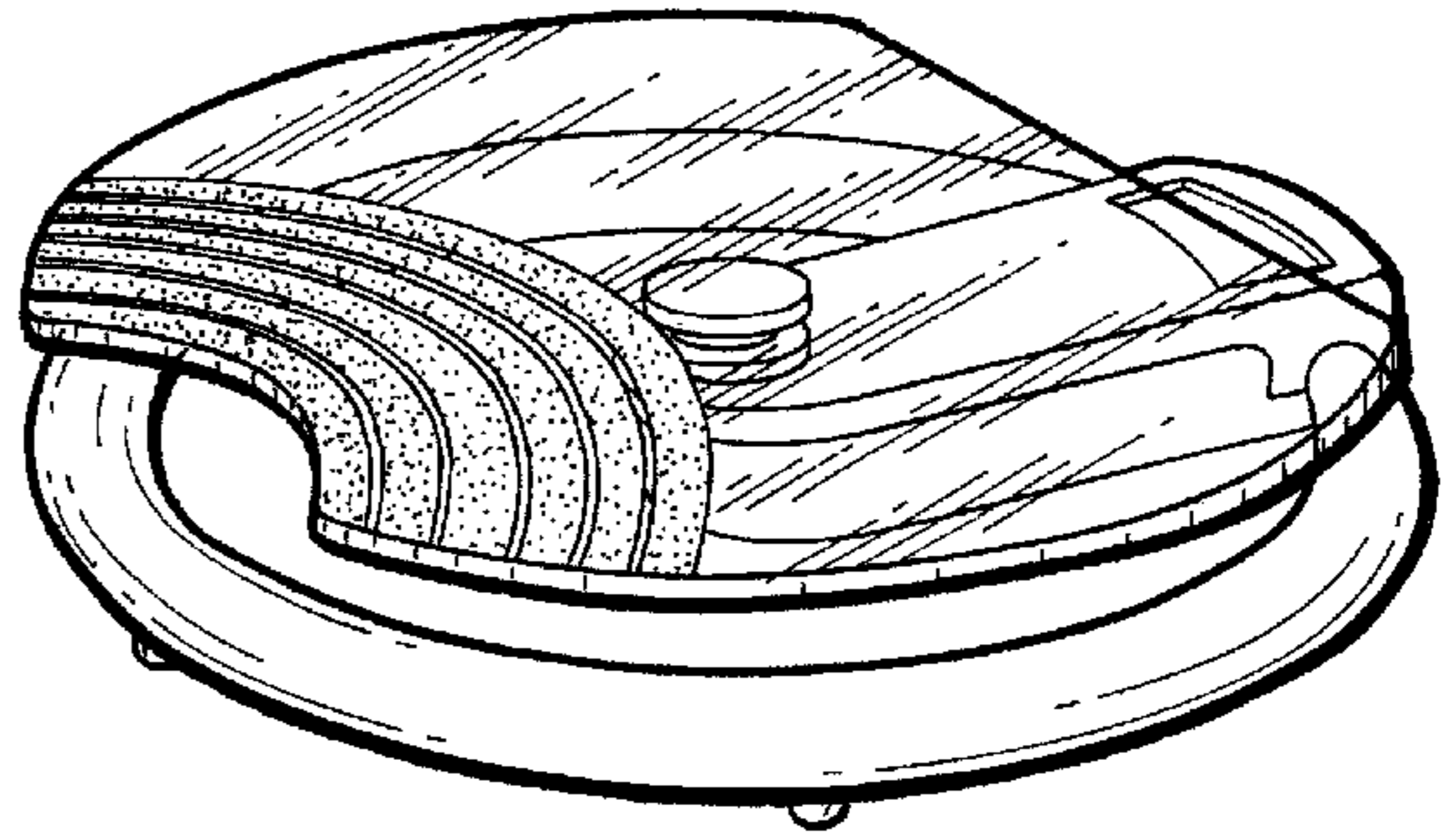
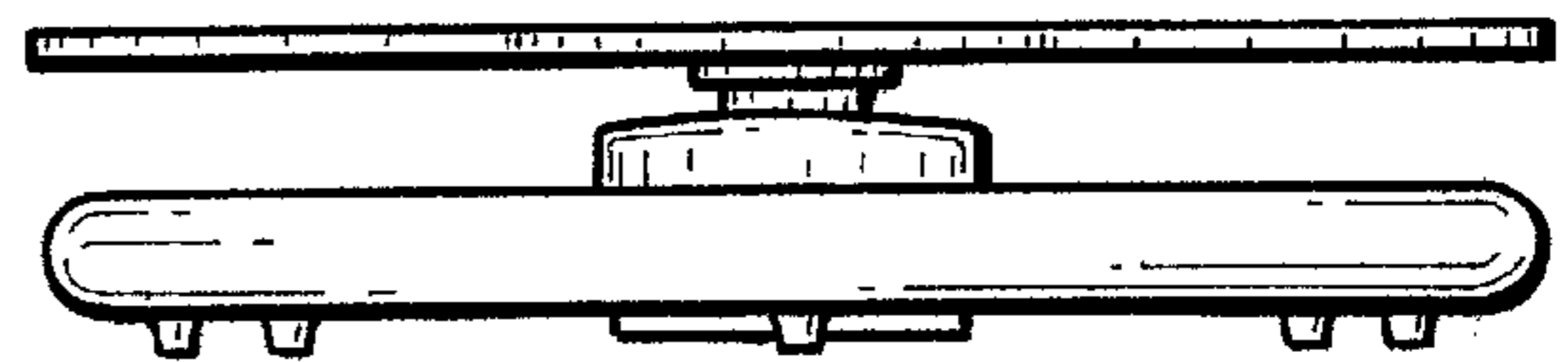


FIG. 3

FIG. 4



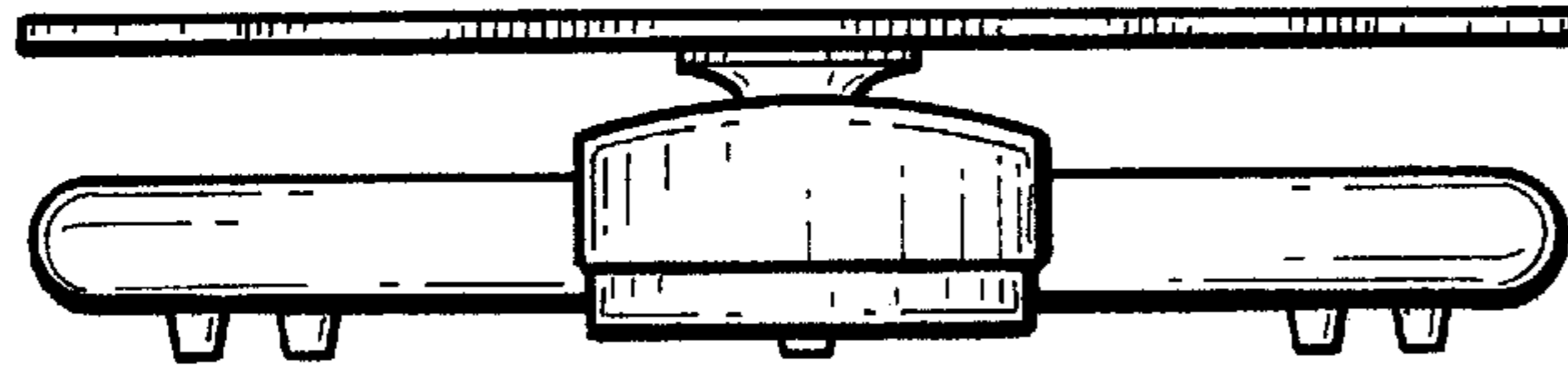


FIG. 5

FIG. 6

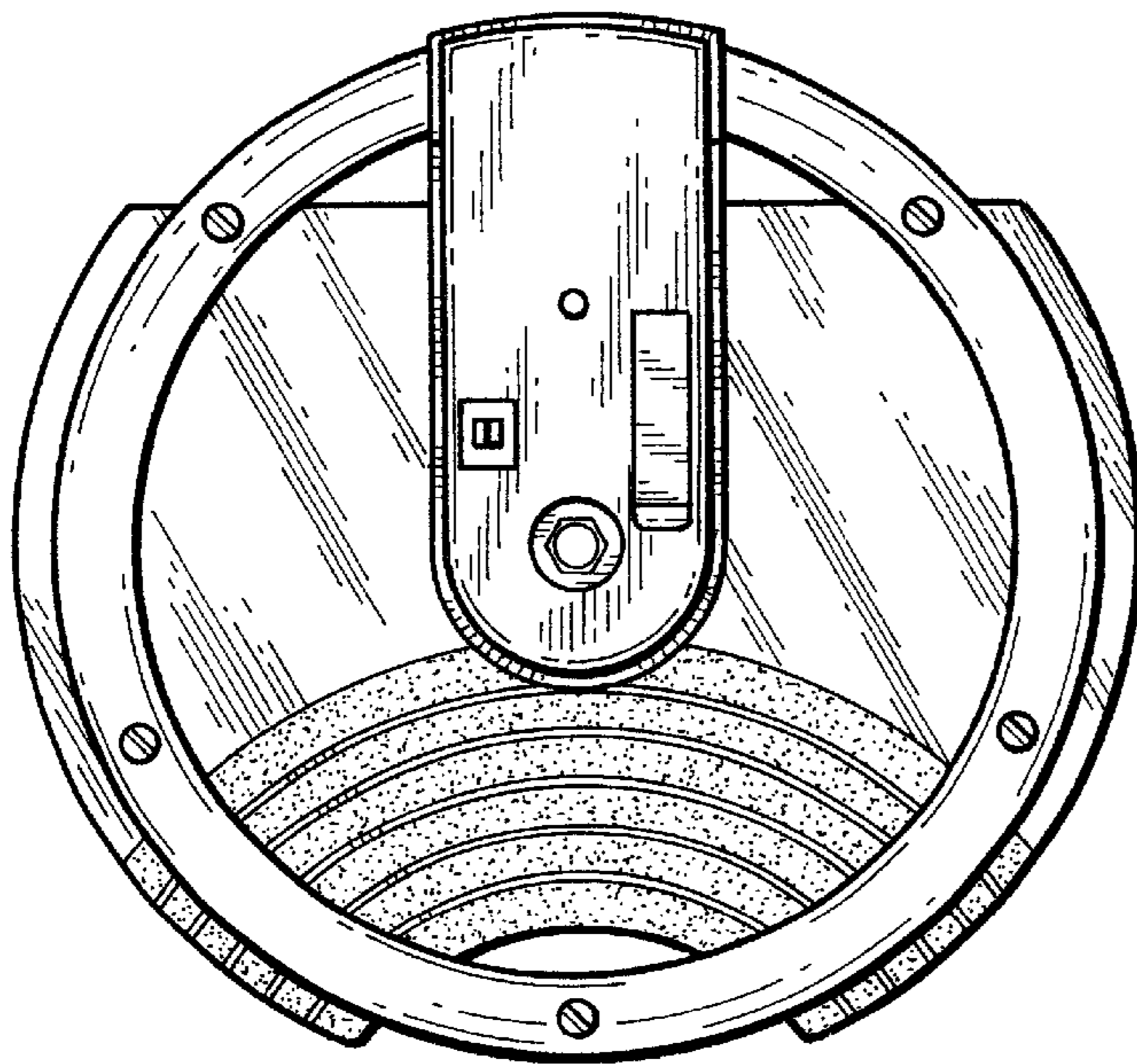
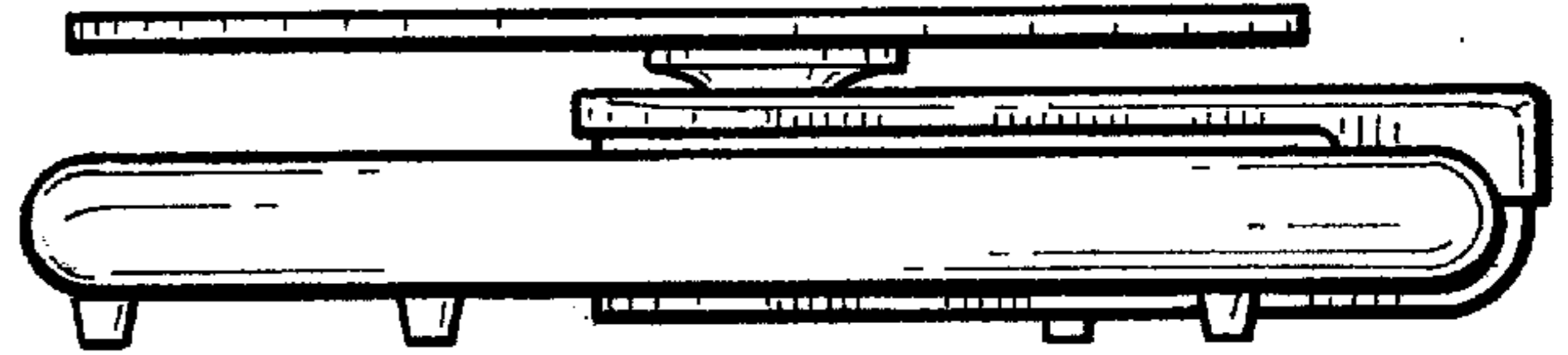


FIG. 7

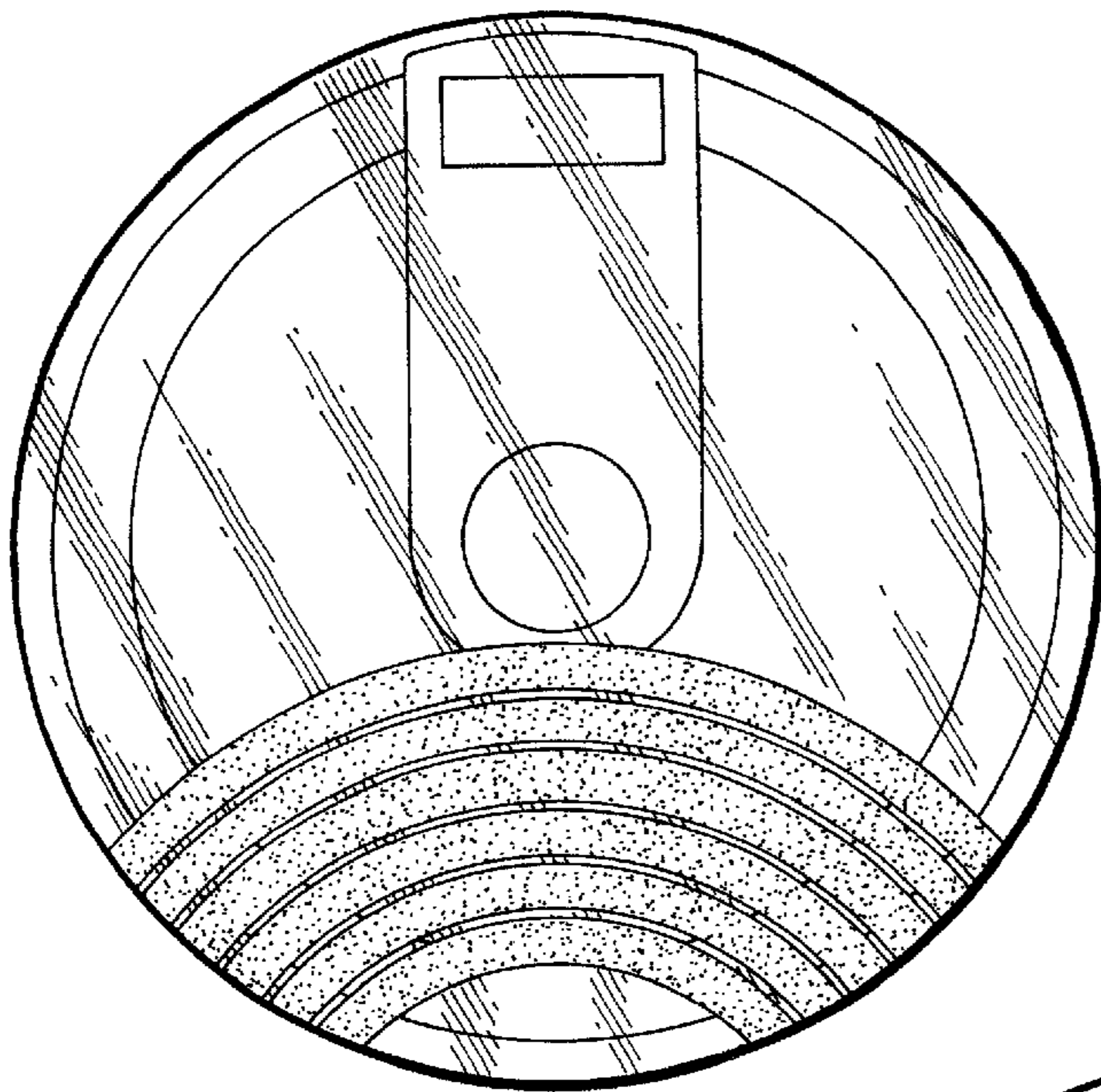


FIG. 8

FIG. 9

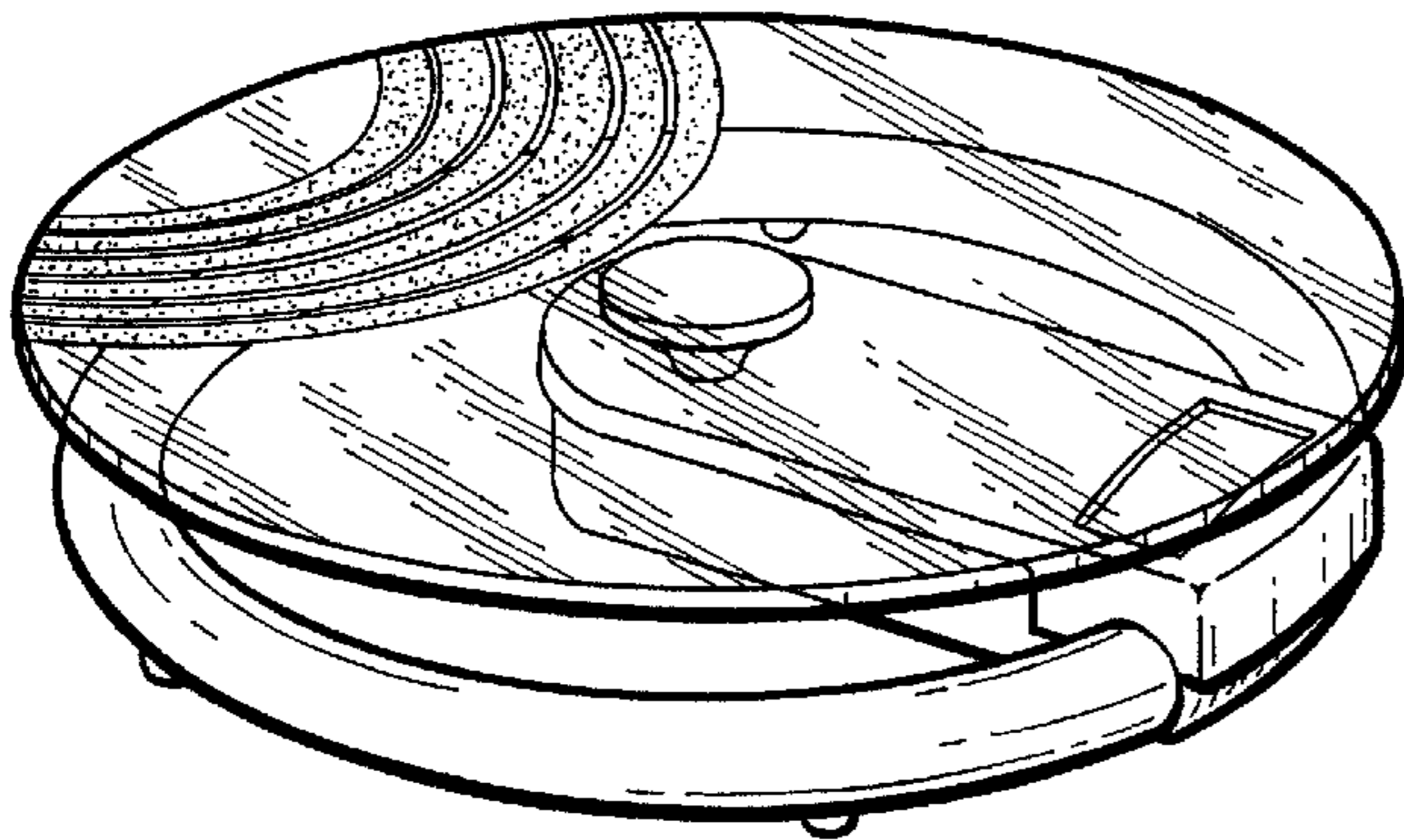
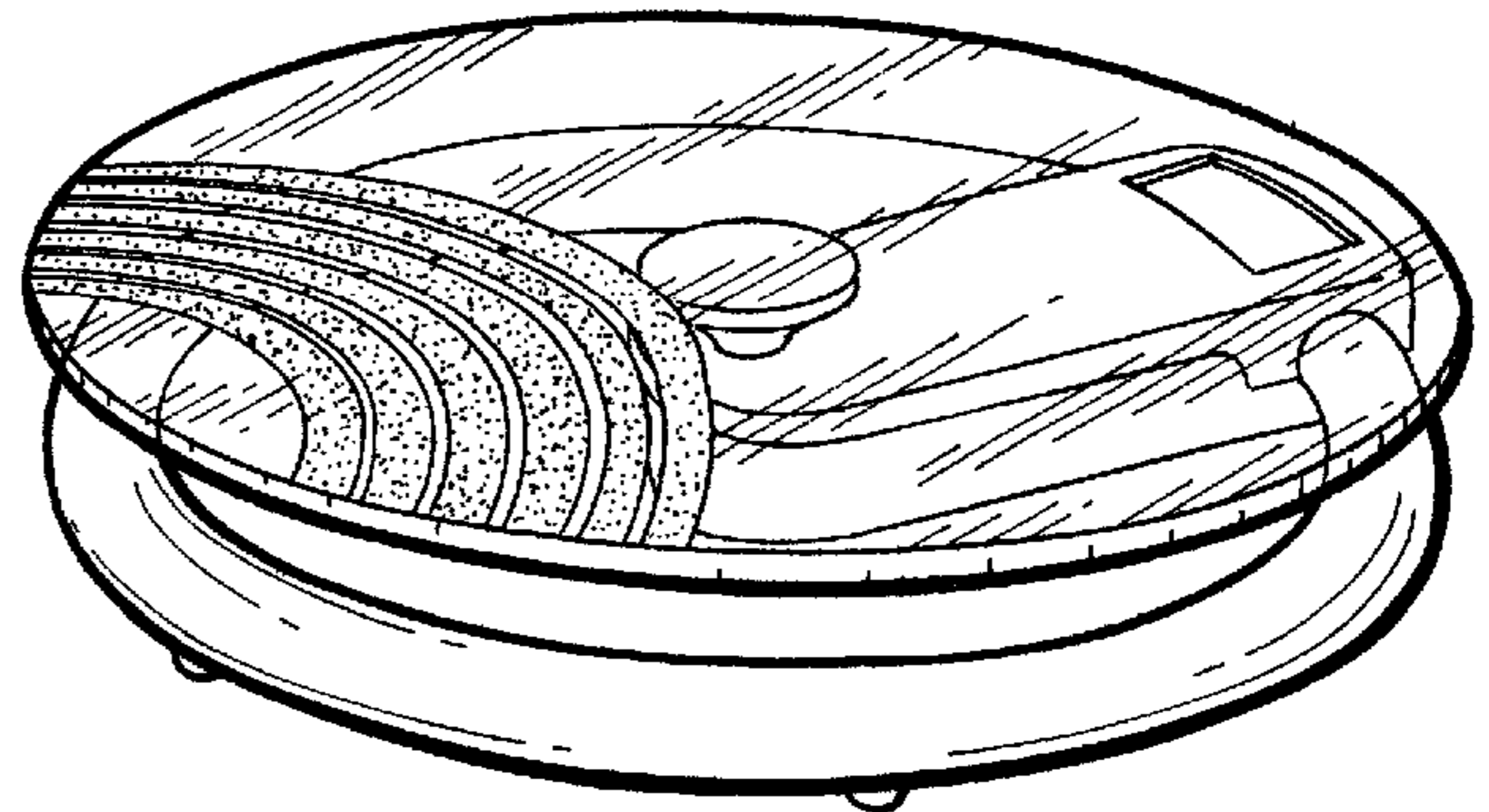
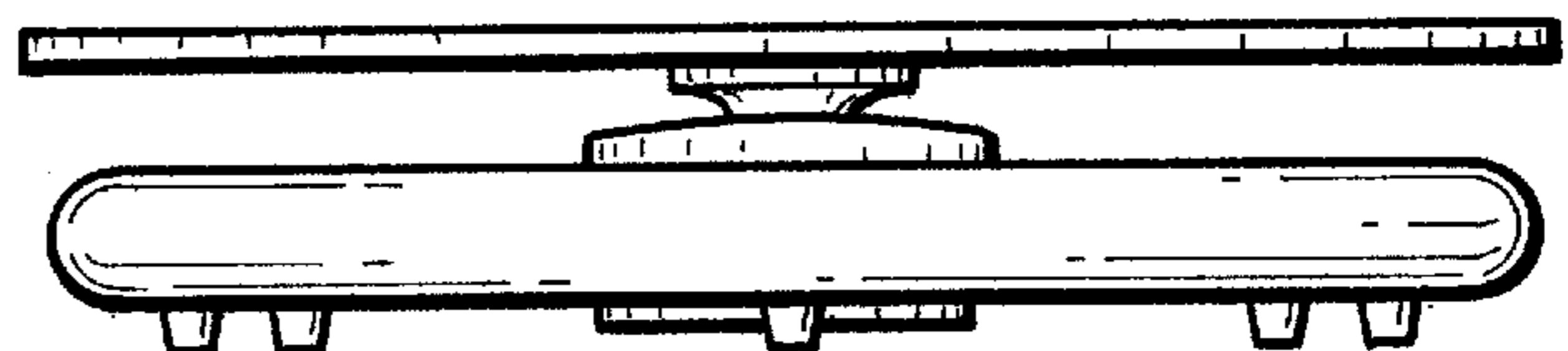


FIG. 10

FIG. 11



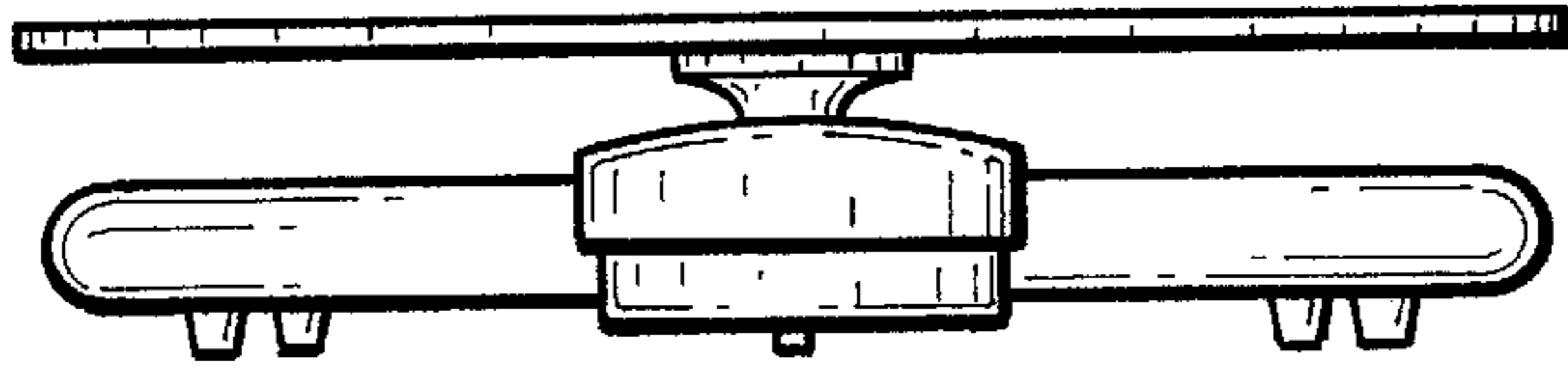


FIG. 12

FIG. 13

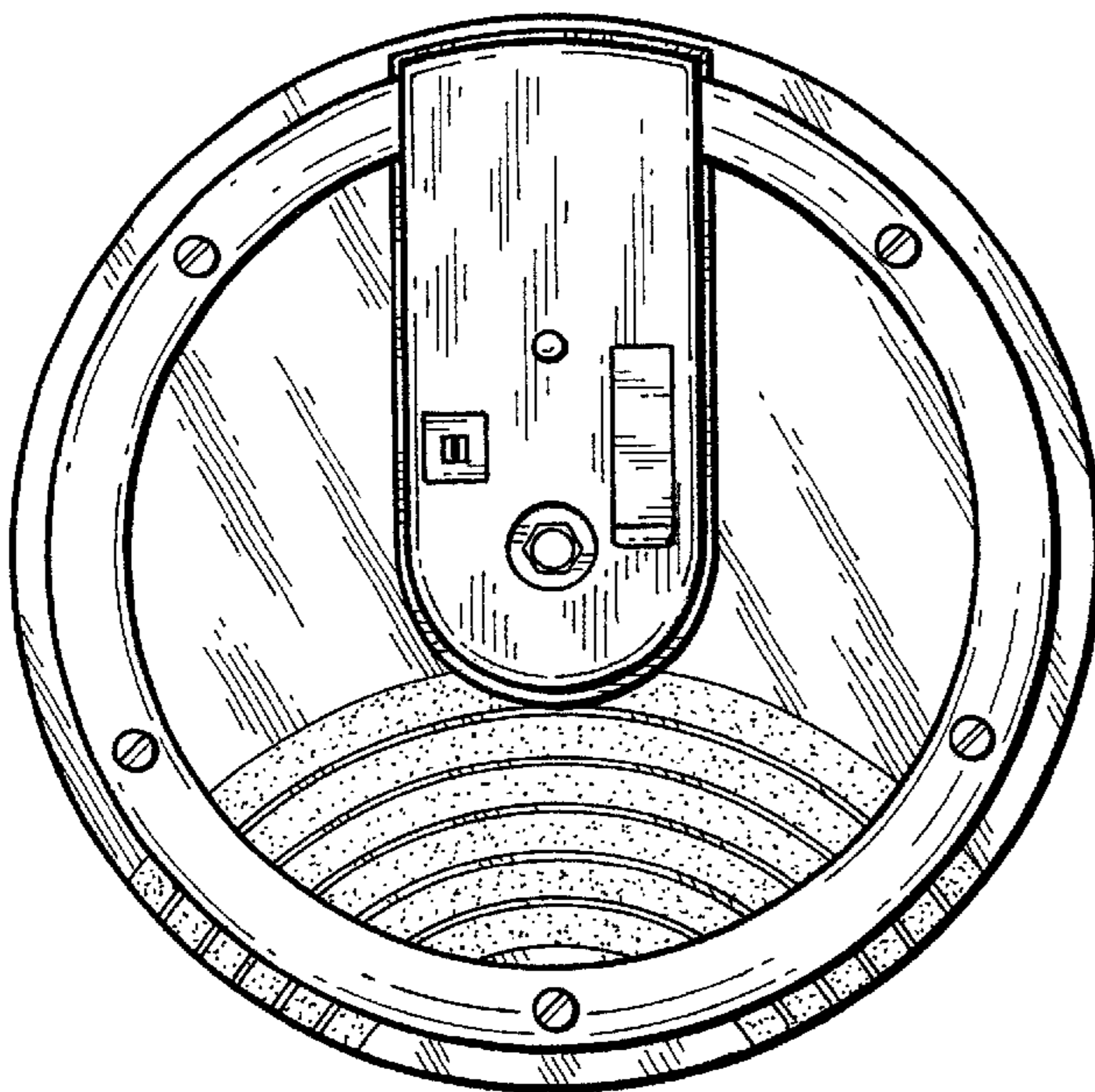
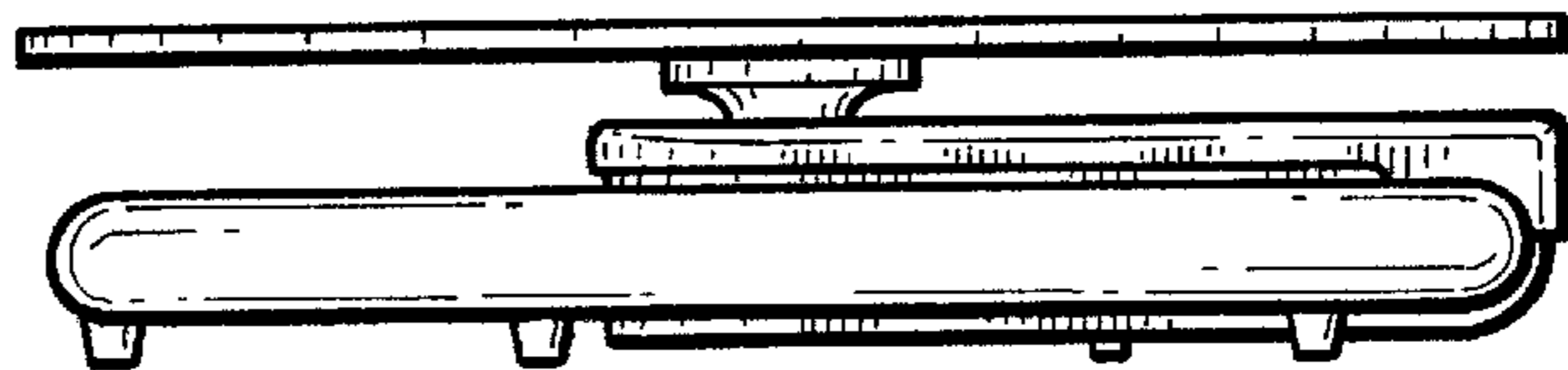


FIG. 14