



US00D444722S

(12) **United States Design Patent**
Honma

(10) **Patent No.:** **US D444,722 S**

(45) **Date of Patent:** **** Jul. 10, 2001**

(54) **AIR PRESSURE REGULATOR**

6,161,573 * 12/2000 Sheng 137/505.41

(75) Inventor: **Hitoshi Honma**, Toyosaka (JP)

* cited by examiner

(73) Assignee: **Koganei Corporation**, Tokyo (JP)

Primary Examiner—Antoine Duval Davis
(74) *Attorney, Agent, or Firm*—McCormick, Paulding & Huber LLP

(**) Term: **14 Years**

(21) Appl. No.: **29/128,029**

(57) **CLAIM**

(22) Filed: **Aug. 16, 2000**

The ornamental design for an air pressure regulator, as shown and described.

(30) **Foreign Application Priority Data**

DESCRIPTION

Feb. 23, 2000 (JP) 12-003502

(51) **LOC (7) Cl.** **10-04**

(52) **U.S. Cl.** **D10/85**

(58) **Field of Search** D10/83, 85; D23/235;
137/82.1, 505.25, 116.5, 505.46, 614.2,
855, 463, 505.41, 505.42, 906, 505.43

FIG. 1 is a perspective view of an air pressure regulator showing my new design;
FIG. 2 is a front elevational view thereof;
FIG. 3 is a rear elevational view thereof;
FIG. 4 is a right side elevational view thereof;
FIG. 5 is a left side elevational view thereof;
FIG. 6 is a top plan view thereof; and,
FIG. 7 is a bottom plan view thereof.

(56) **References Cited**

U.S. PATENT DOCUMENTS

D. 301,917 * 6/1989 Ogasawara et al. D10/85

1 Claim, 7 Drawing Sheets

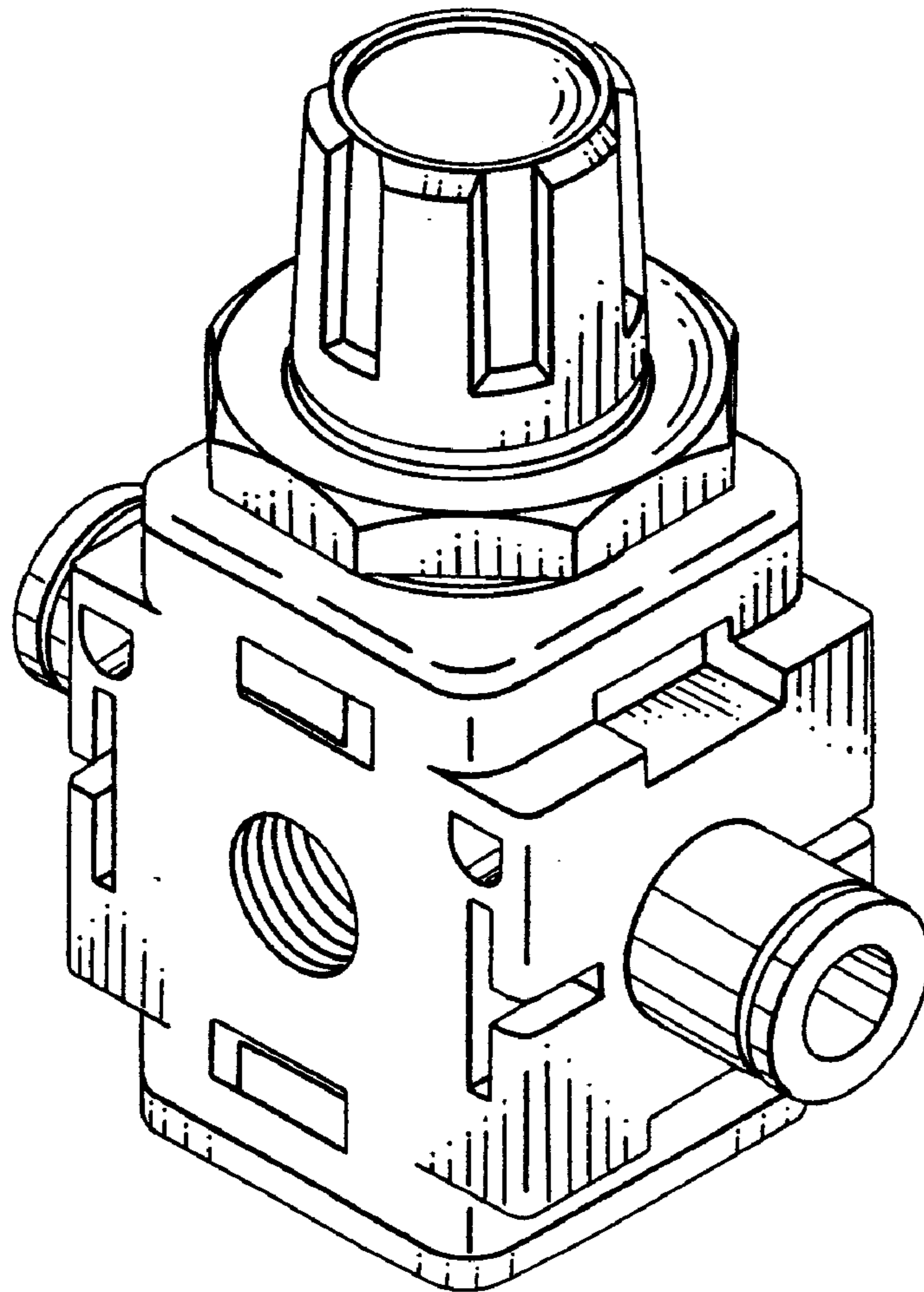


FIG. 1

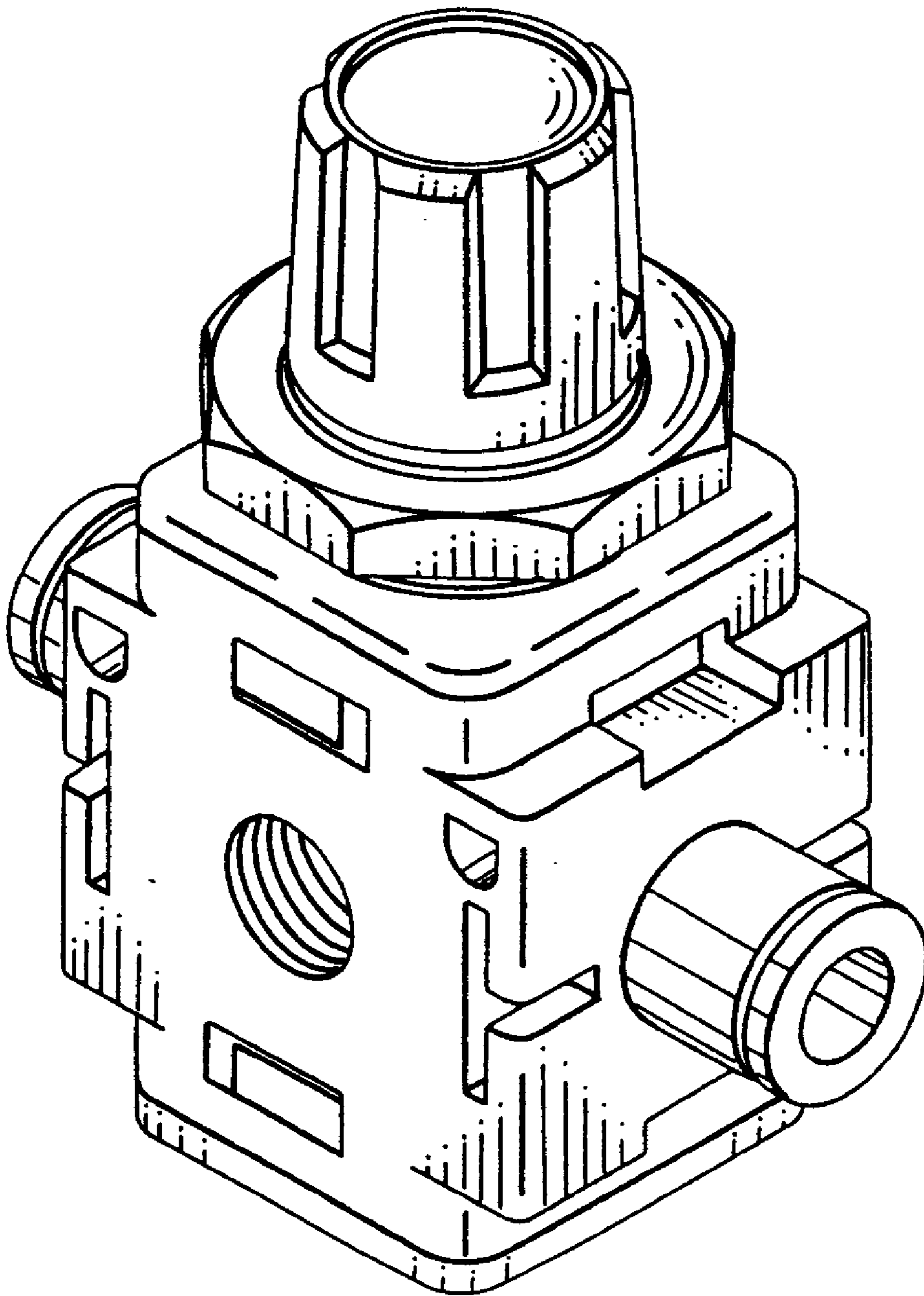


FIG. 2

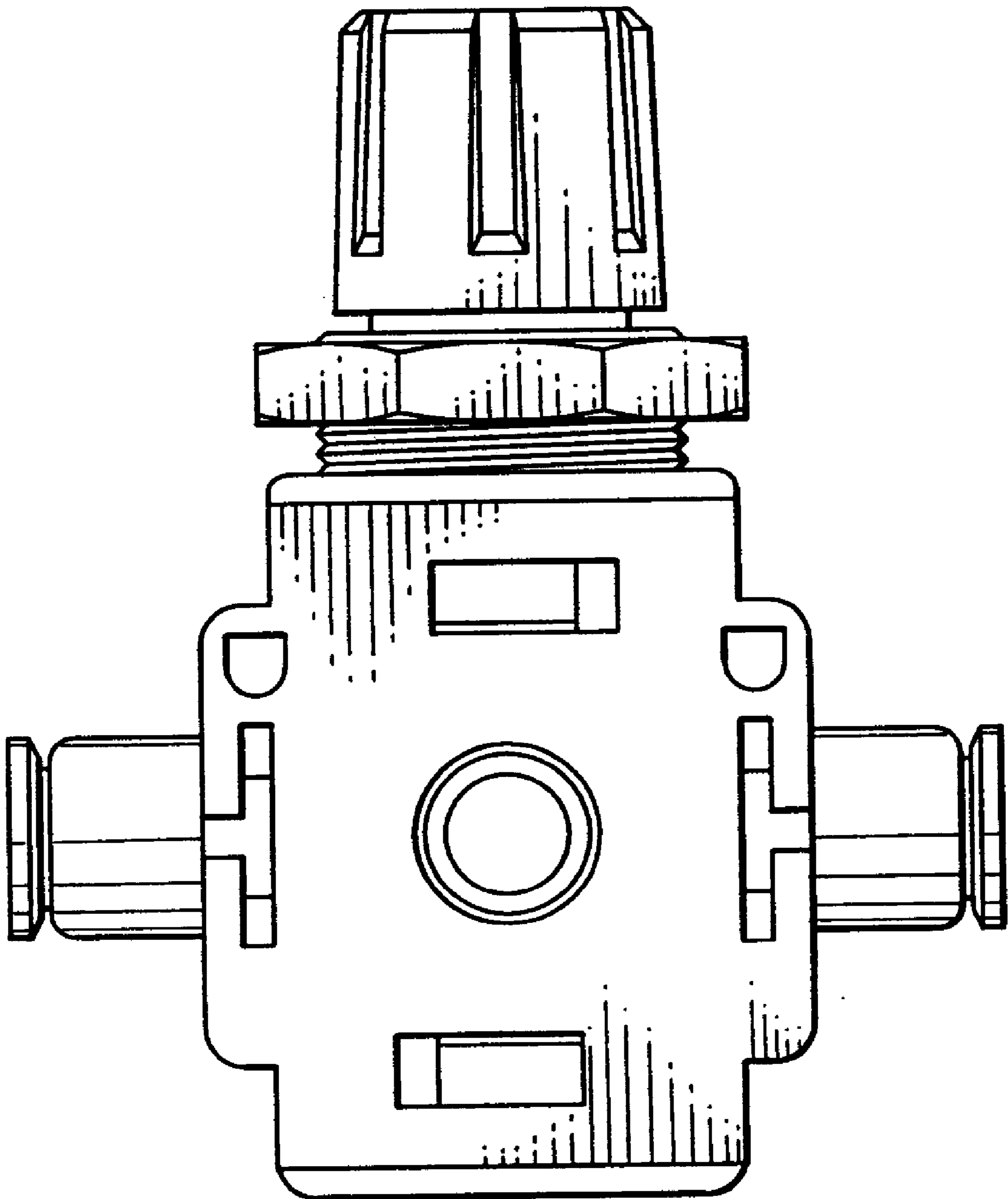


FIG. 3

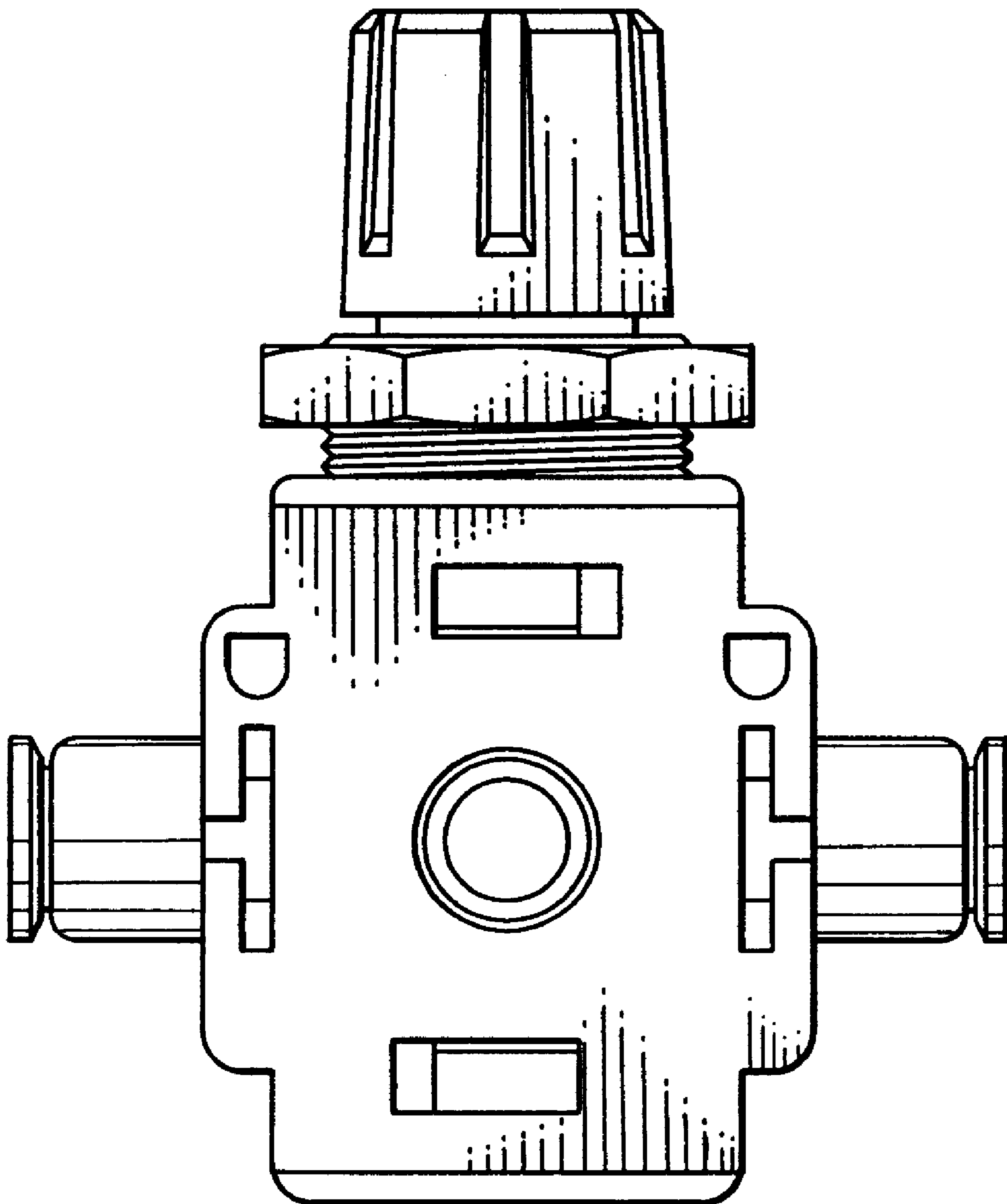


FIG. 4

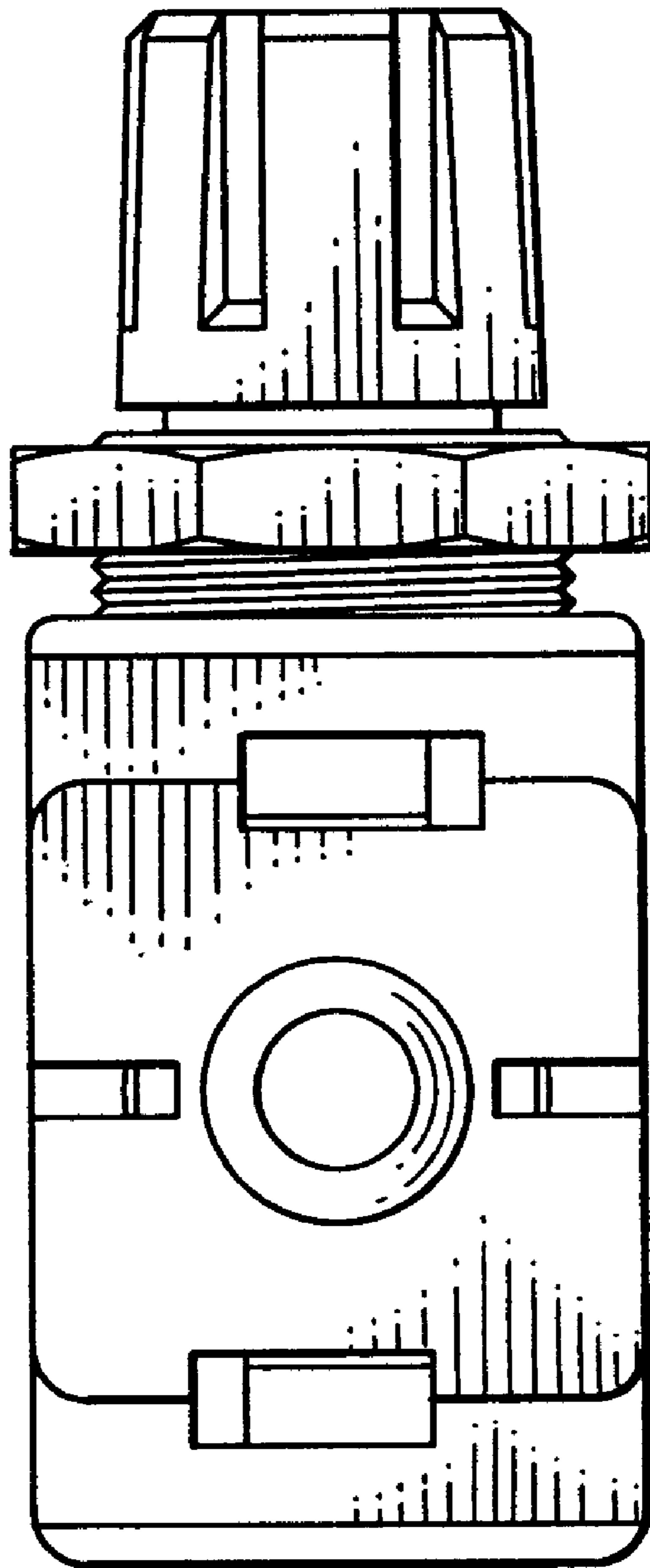


FIG. 5

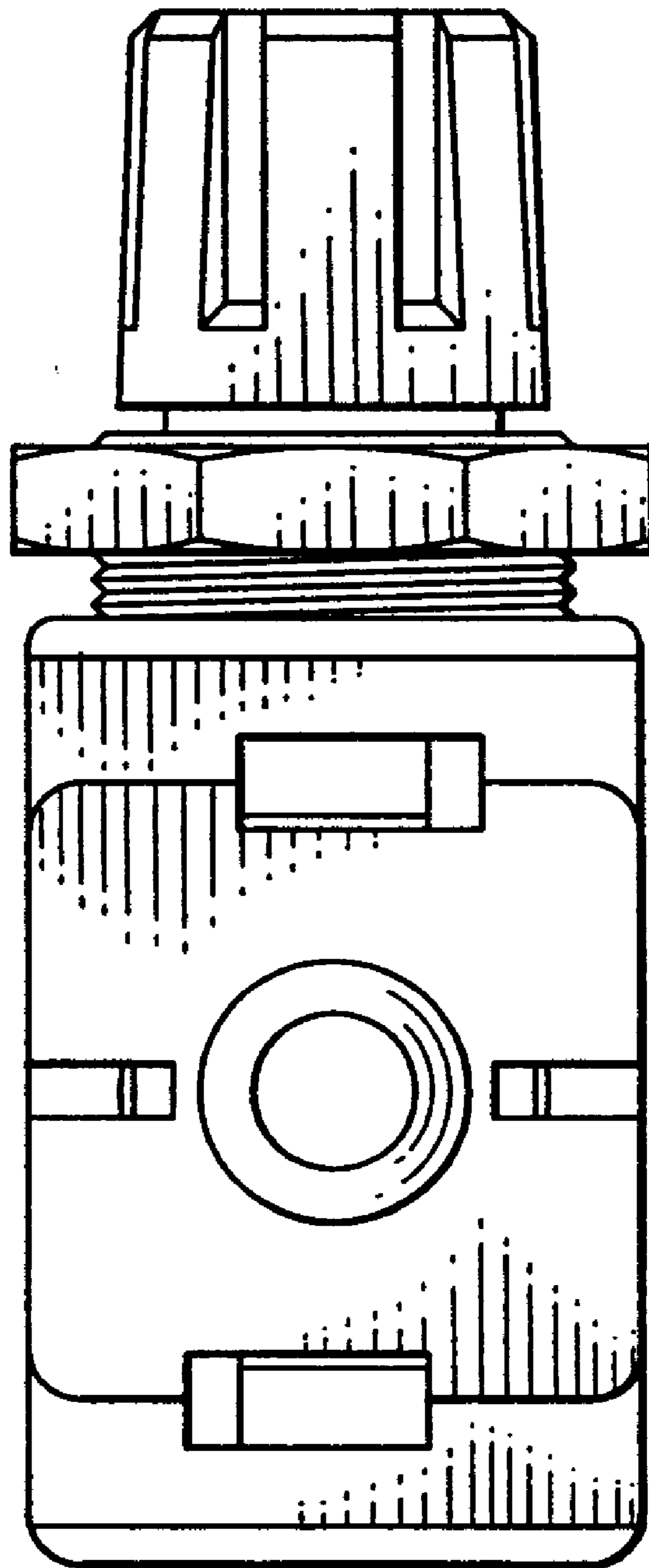


FIG. 6

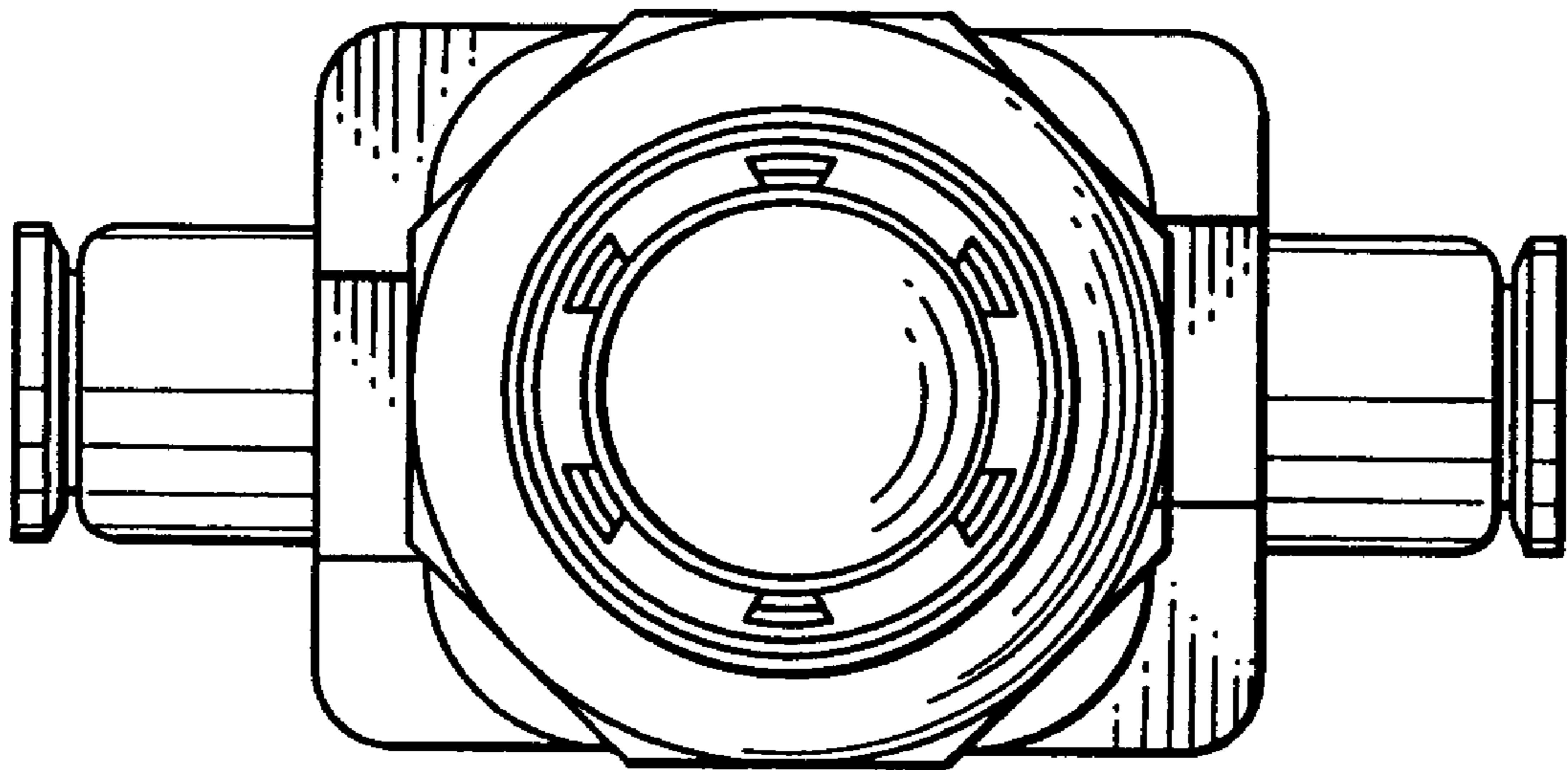


FIG. 7

