



US00D444719S

(12) **United States Design Patent**
Senner

(10) **Patent No.:** **US D444,719 S**

(45) **Date of Patent:** **** Jul. 10, 2001**

- (54) **ICE LEVEL SENSING MEMBER**
- (75) Inventor: **Kurt C. Senner**, Galesburg, IL (US)
- (73) Assignee: **Maytag Corporation**, Newton, IA (US)
- (**) Term: **14 Years**
- (21) Appl. No.: **29/131,241**
- (22) Filed: **Oct. 18, 2000**
- (51) **LOC (7) Cl.** **10-04**
- (52) **U.S. Cl.** **D10/70; D10/69**
- (58) **Field of Search** **D10/69, 70, 74;**
D8/14; 62/137, 344, 353

4,100,761	7/1978	Linstromberg et al. .	
4,269,039	5/1981	Baker .	
4,610,147	9/1986	Kawasumi .	
4,872,318	10/1989	Klemmensen .	
4,947,652	8/1990	Arcangeli .	
5,119,639	6/1992	Bein et al. .	
5,460,007	10/1995	Reed et al. .	
5,619,858	4/1997	Gunderson et al. .	
5,768,899	6/1998	Lee et al. .	
5,768,900	6/1998	Lee et al. .	
6,161,390	* 12/2000	Kim	62/353
6,192,693	* 2/2001	Kloppenberget al.	62/137

* cited by examiner

Primary Examiner—Antoine Duval Davis
(74) *Attorney, Agent, or Firm*—Diederiks&Whitelaw, PLC

- (56) **References Cited**
- U.S. PATENT DOCUMENTS**
- 2,717,500 9/1955 Ploeger .
- 2,799,144 7/1957 Barton .
- 2,955,442 10/1960 Loewenthal .
- 2,970,453 2/1961 Harle et al. .
- 2,976,697 3/1961 Dahl .
- 3,005,322 10/1961 Harle .
- 3,048,023 8/1962 Taylor .
- 3,163,017 12/1964 Baker et al. .
- 3,290,892 12/1966 Roedter .
- 3,545,217 12/1970 Linstromberg .
- 3,581,516 6/1971 Buchser et al. .
- 3,885,400 5/1975 Webb .
- 3,964,269 6/1976 Linstromberg .
- 4,095,439 6/1978 Linstromberg .
- 4,098,094 7/1978 Linstromberg .

(57) **CLAIM**

The ornamental design for an ice level sensing member, as shown and described.

DESCRIPTION

FIG. 1 is a right front perspective view of the sensing member of the invention;
 FIG. 2 is a right side elevational view of the sensing member of FIG. 1;
 FIG. 3 is a left side elevational view of the sensing member;
 FIG. 4 is a rear elevational view of the sensing member;
 FIG. 5 is a front elevational view of the sensing member;
 FIG. 6 is the top view of the sensing member; and,
 FIG. 7 is a bottom view of the sensing member.

1 Claim, 2 Drawing Sheets

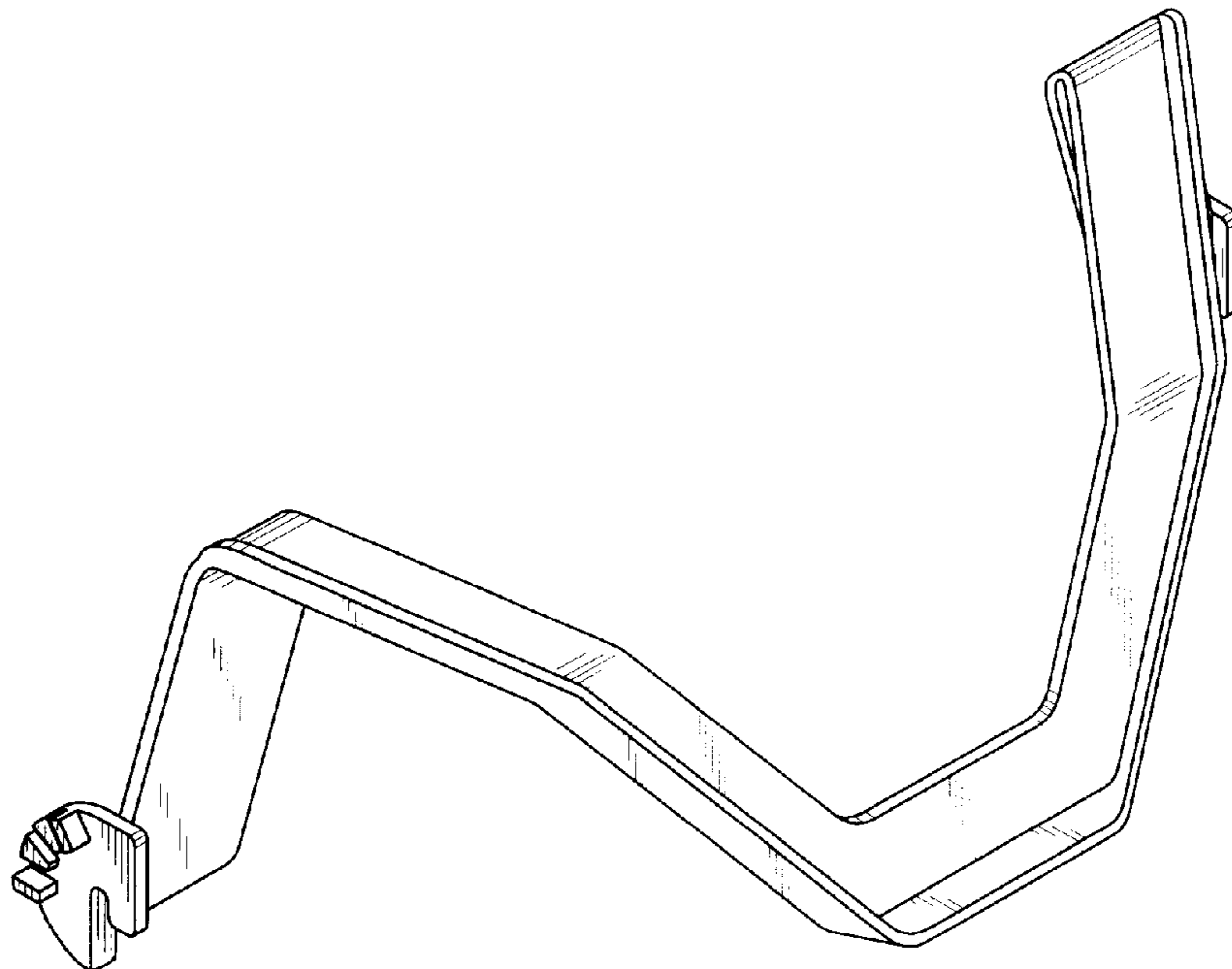


FIG. 1

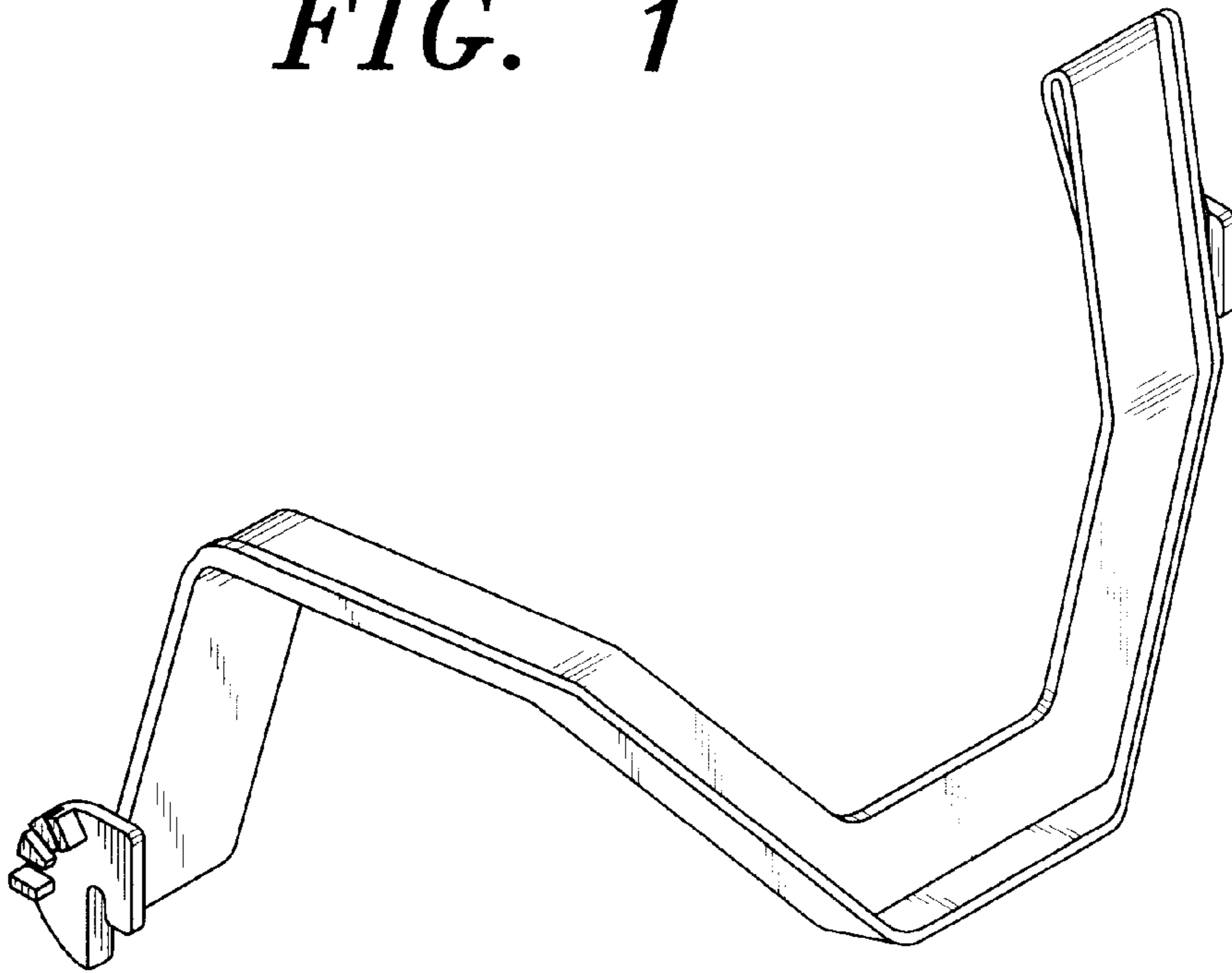


FIG. 4

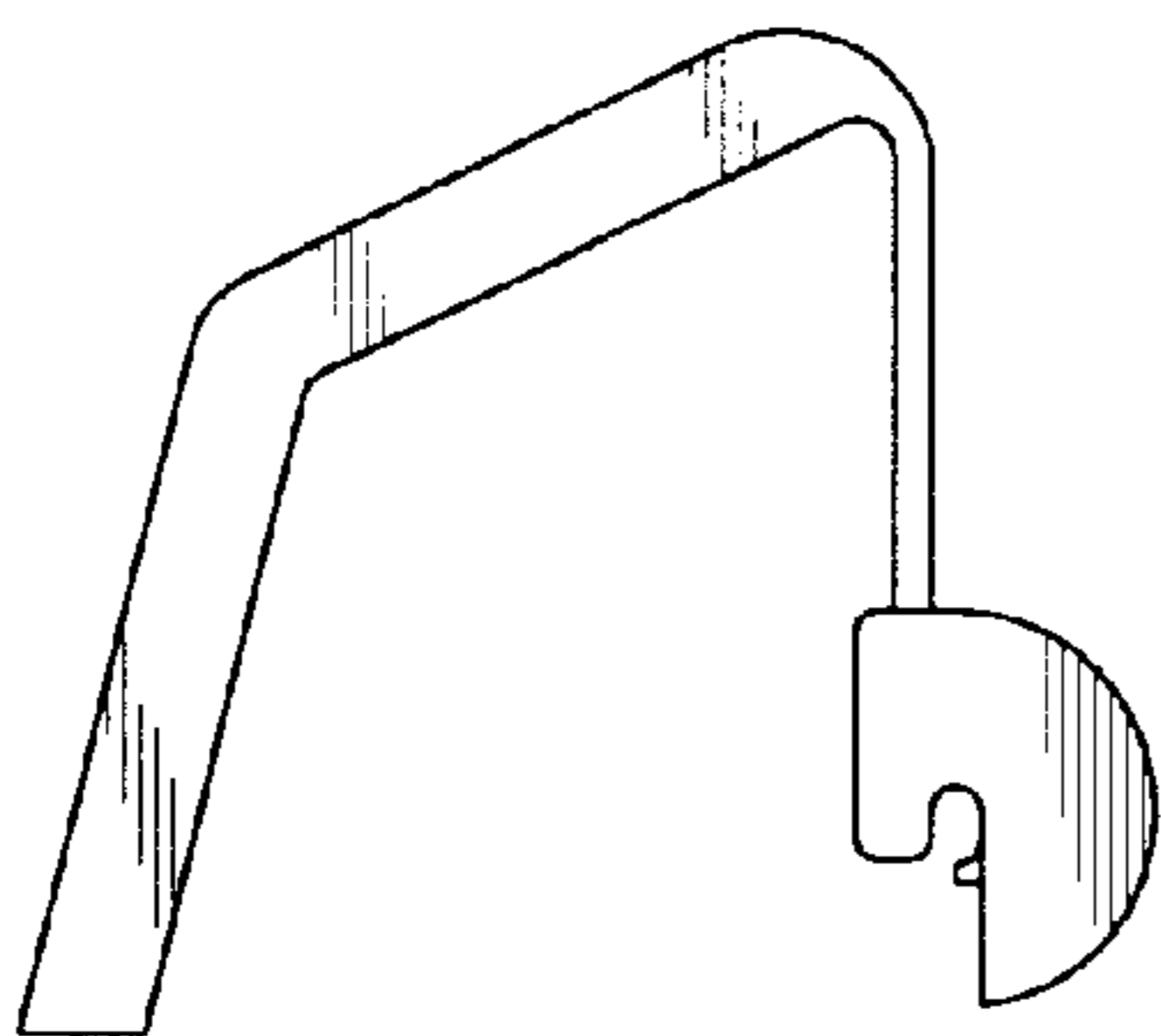


FIG. 5

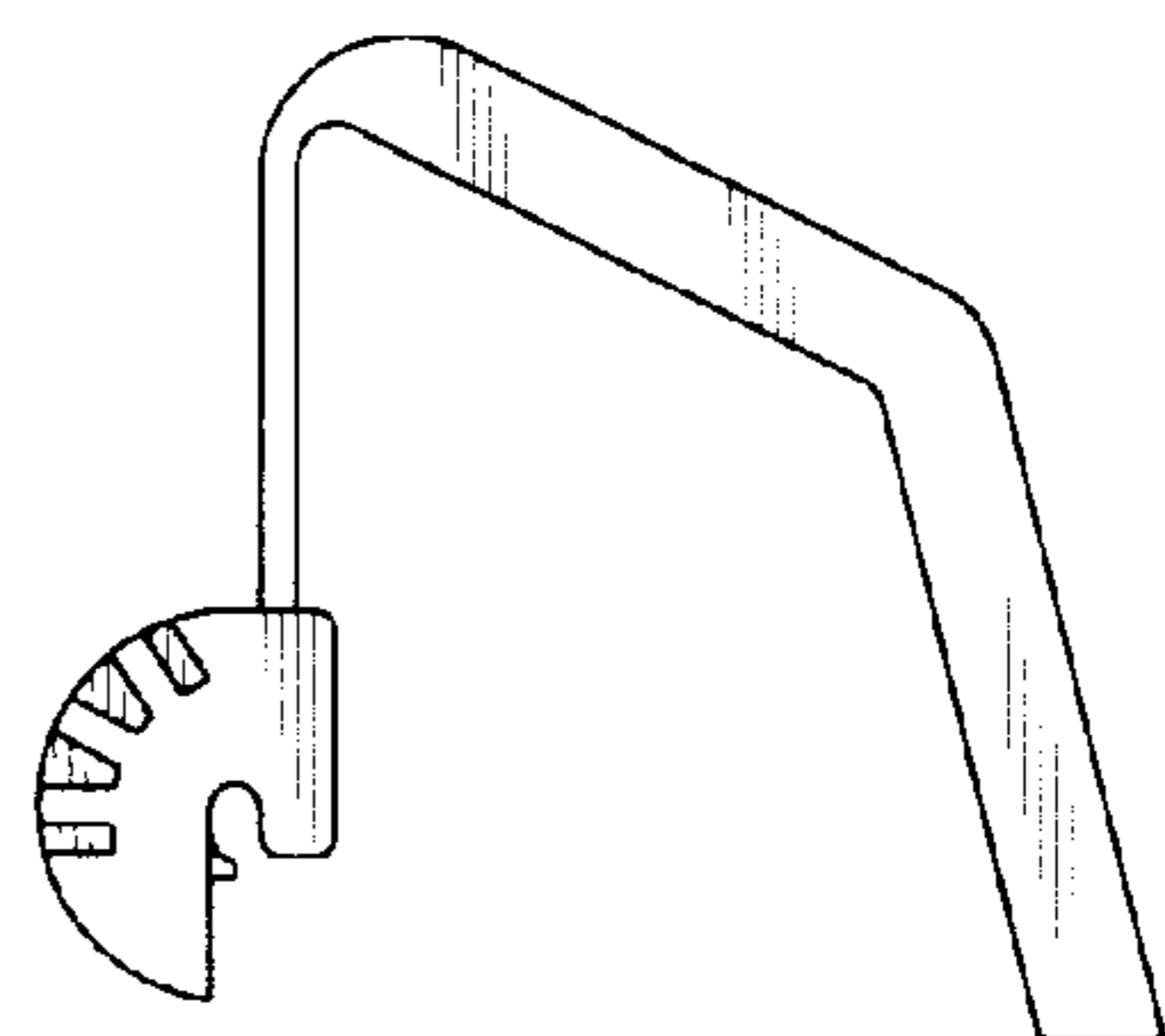


FIG. 2

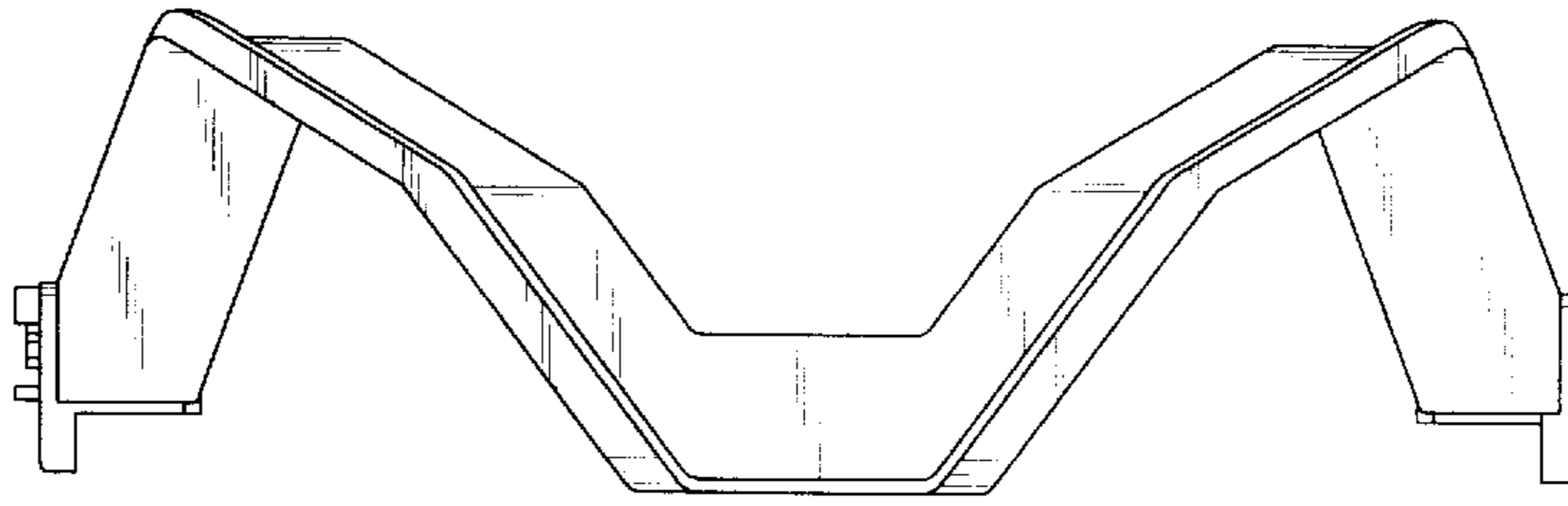


FIG. 3

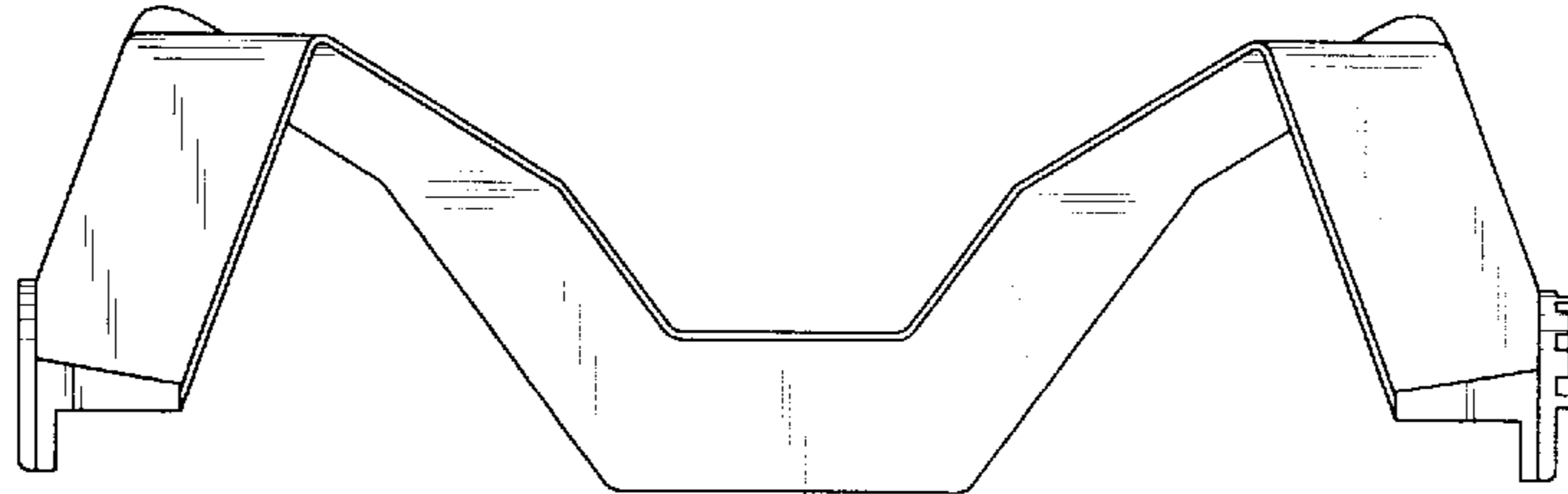


FIG. 6

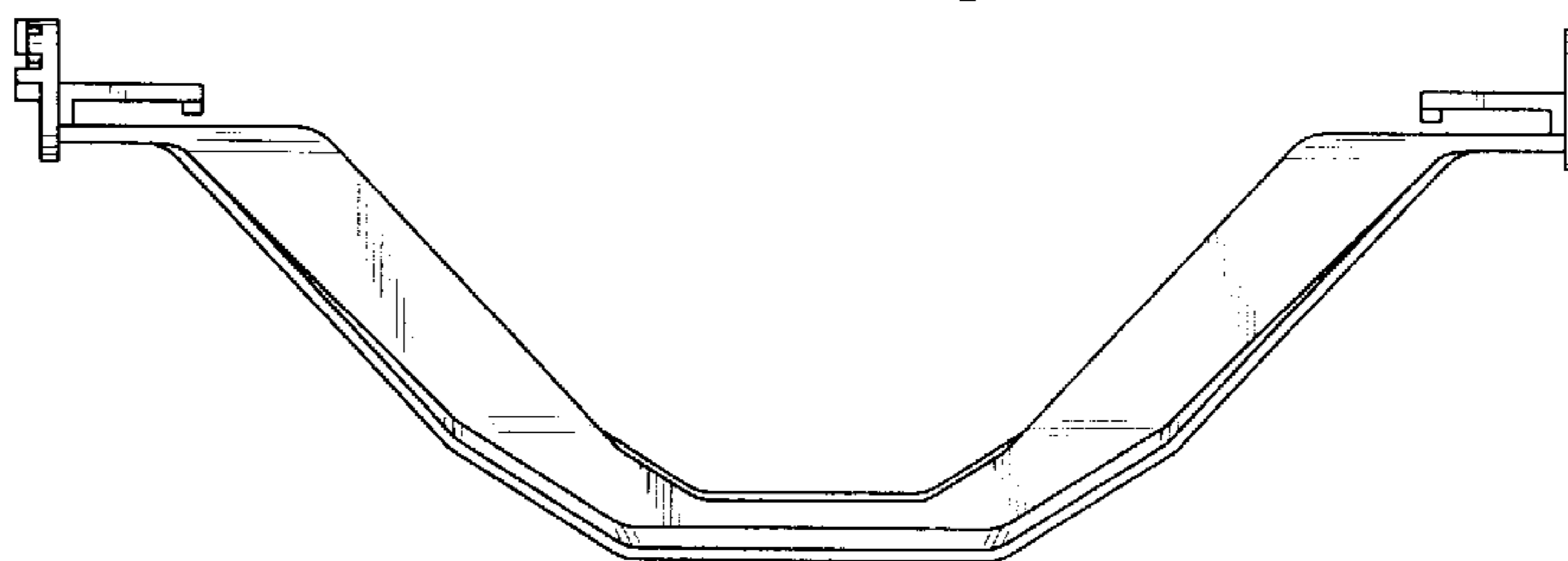


FIG. 7

