



US00D444717S

(12) **United States Design Patent**  
**Robert et al.**

(10) **Patent No.:** **US D444,717 S**

(45) **Date of Patent:** **\*\* Jul. 10, 2001**

(54) **WRISTWATCH**

(75) Inventors: **Bertrand Robert**, La Neuveville;  
**Xavier Perrenoud**, Neuchâtel, both of  
(CH)

(73) Assignee: **Tissot SA**, Le Locle (CH)

(\*\*) Term: **14 Years**

(21) Appl. No.: **29/128,227**

(22) Filed: **Aug. 21, 2000**

(30) **Foreign Application Priority Data**

Mar. 16, 2000 (XH) ..... DM/051 195

(51) **LOC (7) Cl.** ..... **10-02**

(52) **U.S. Cl.** ..... **D10/32**

(58) **Field of Search** ..... D10/1-40, 122-132;  
D11/3-25; 63/1.1, 3, 5, 11; 368/276-277,  
280-282, 285

(56) **References Cited**

**U.S. PATENT DOCUMENTS**

- D. 330,167 \* 10/1992 Vincent ..... D10/32
- D. 349,250 \* 8/1994 Moriai ..... D10/38

- D. 359,916 \* 7/1995 Iida ..... D10/32
- D. 380,394 \* 7/1997 Ludvig ..... D10/32
- D. 380,967 \* 7/1997 Ludvig ..... D10/30
- D. 417,160 \* 11/1999 Fedele ..... D10/32
- D. 417,403 \* 12/1999 Fedele ..... D10/32
- D. 427,932 \* 7/2000 Dumas ..... D11/3

\* cited by examiner

*Primary Examiner*—Nelson C. Noltje

(74) *Attorney, Agent, or Firm*—Collen Law Associates,  
P.C.; Robert M. McDermott

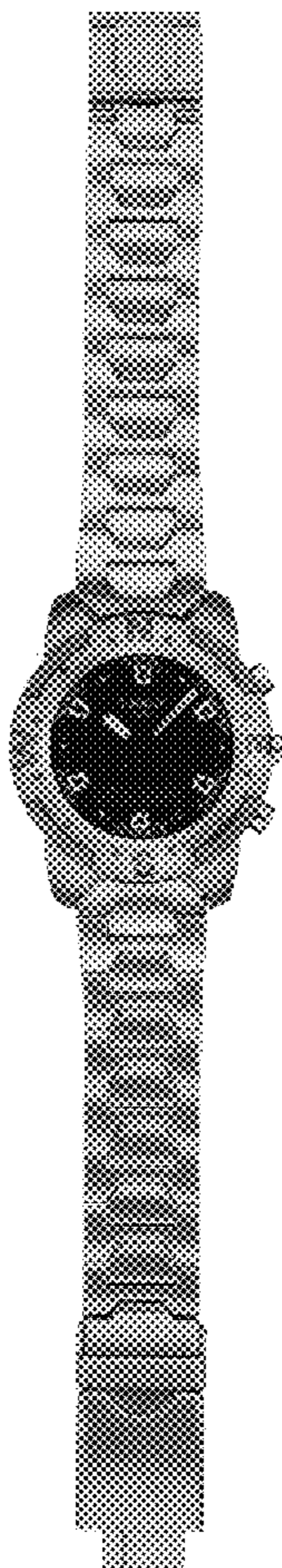
(57) **CLAIM**

The ornamental design for a wristwatch, as shown and described.

**DESCRIPTION**

FIG. 1 is a front view of my new and ornamental design for a wristwatch;  
 FIG. 2 is a back view thereof;  
 FIG. 3 is a right side view thereof;  
 FIG. 4 is a left side view thereof;  
 FIG. 5 is a top view thereof;  
 FIG. 6 is a bottom view thereof; and,  
 FIG. 7 is a perspective view thereof.

**1 Claim, 7 Drawing Sheets**



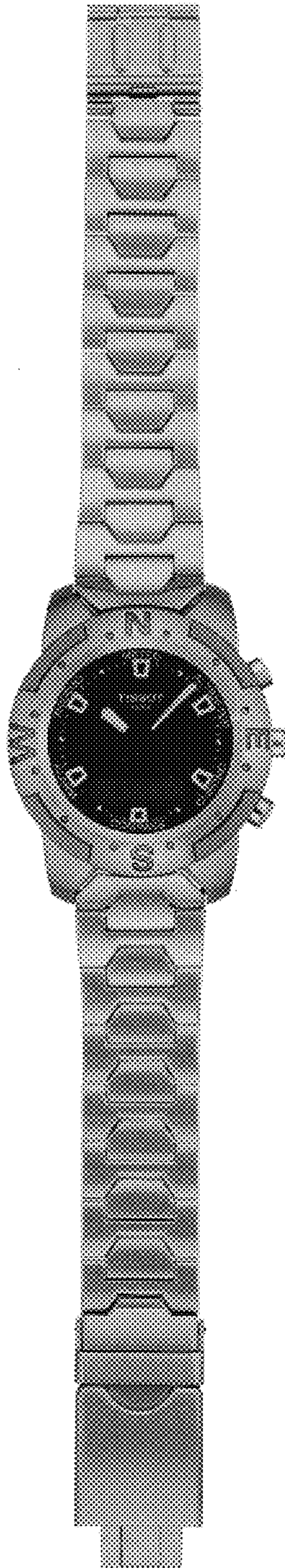


FIG. 1

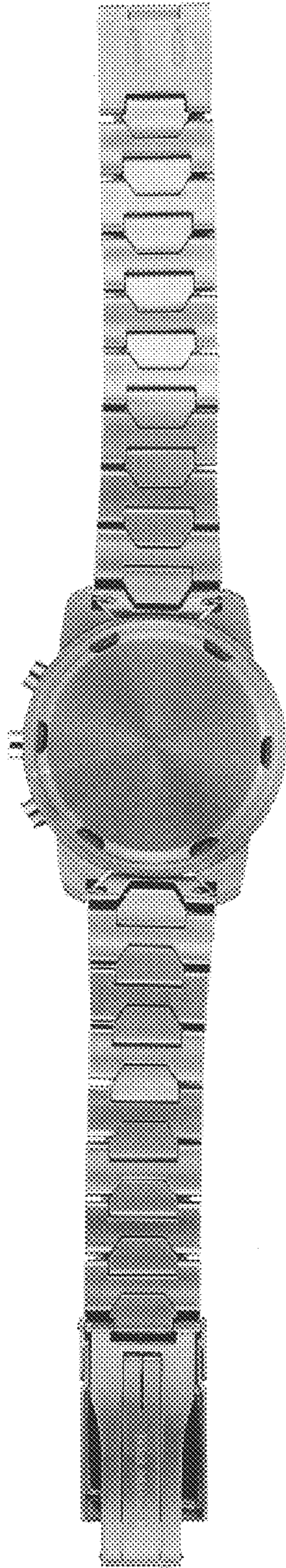


FIG. 2

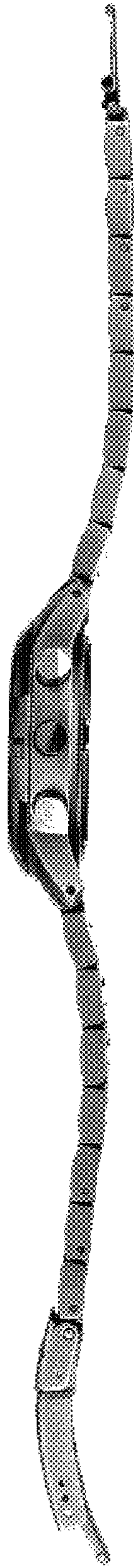


FIG. 3

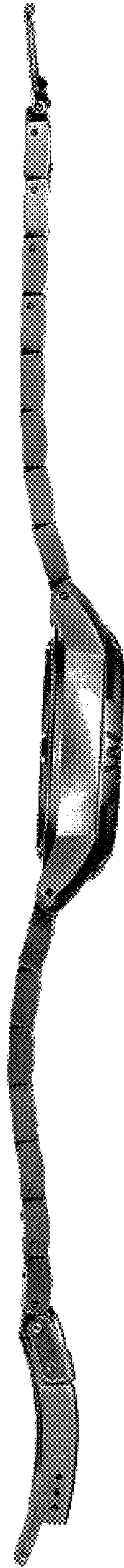
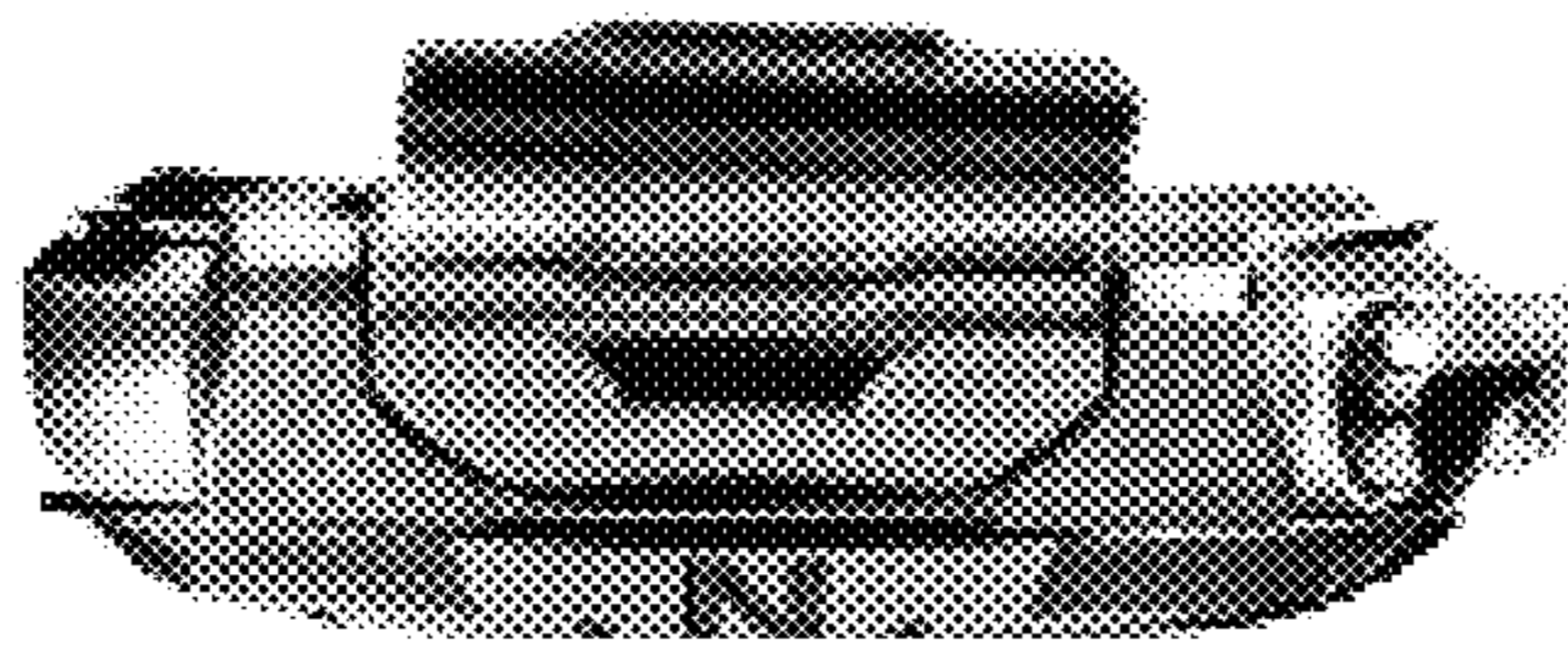


FIG. 4



**FIG. 5**

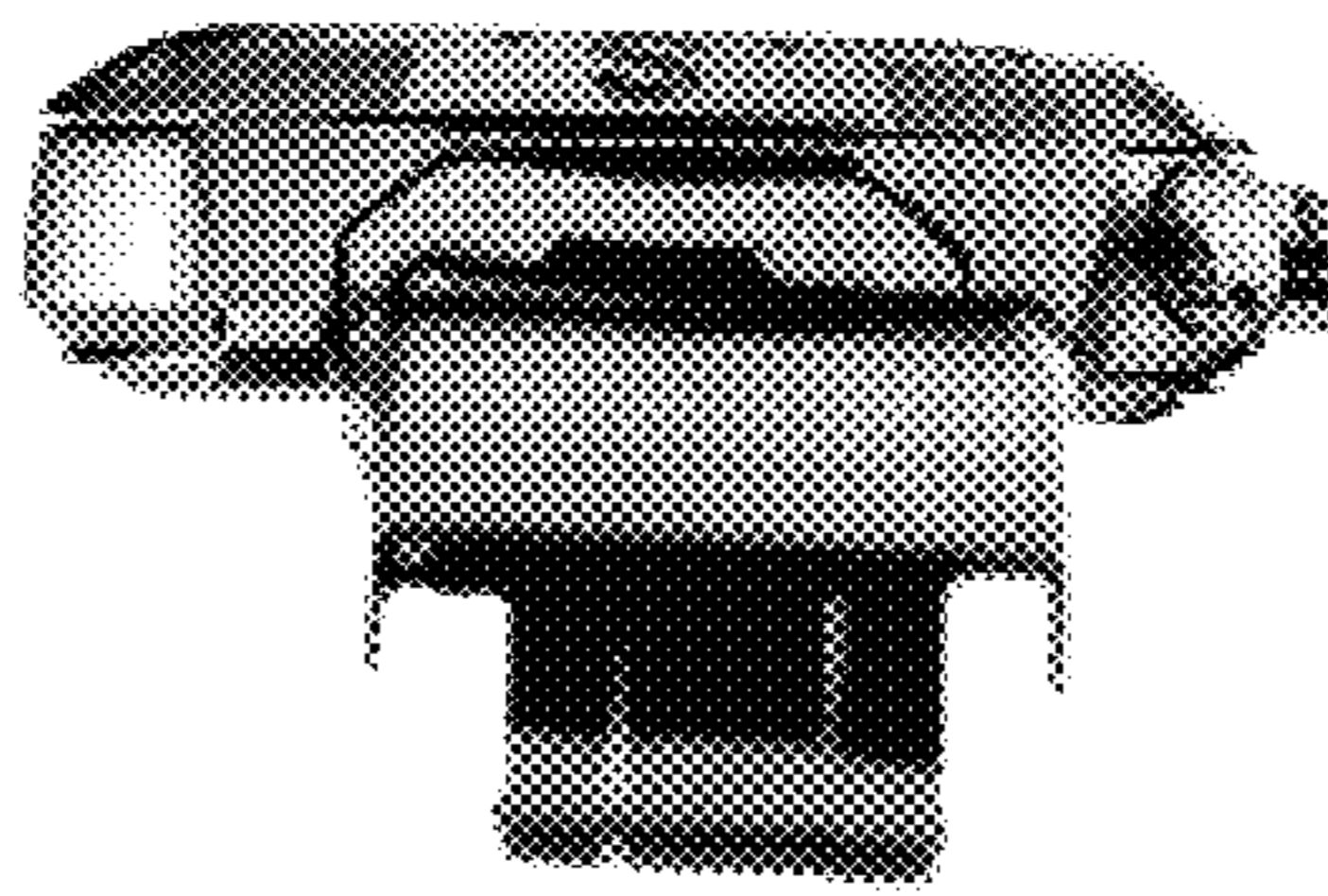


FIG. 6



FIG. 7