



US00D444706S

(12) **United States Design Patent**
Giancaspro

(10) **Patent No.:** **US D444,706 S**

(45) **Date of Patent:** **** Jul. 10, 2001**

(54) **CONTAINER CARRYING DEVICE**

(76) Inventor: **Frank Giancaspro**, 7330 Kelvin St.,
Canoga Park, CA (US) 91306

(**) Term: **14 Years**

(21) Appl. No.: **29/127,527**

(22) Filed: **Aug. 8, 2000**

(51) **LOC (7) Cl.** **09-07**

(52) **U.S. Cl.** **D9/455; D3/229**

(58) **Field of Search** D9/434, 455, 456,
D9/499; D3/215, 221, 229; D7/601, 602,
619, 620, 621; D8/354, 355, 373, 381;
224/148.1, 197, 200; 215/395, 399; 220/737,
751; 248/312

(56) **References Cited**

U.S. PATENT DOCUMENTS

D. 281,565	*	12/1985	Stourton et al.	D7/620
D. 350,456	*	9/1994	Linder	D7/620
D. 358,679	*	5/1995	Garrity	D8/373 X
D. 364,912	*	12/1995	Sowers	D3/221 X
D. 378,040	*	2/1997	Flint et al.	D7/620
D. 423,774	*	5/2000	Peterson	D3/229
2,035,749	*	3/1936	Knauss	248/108 X
2,628,054	*	2/1953	Fazakerley	D7/620
4,084,778	*	4/1978	Dominguez	248/314
4,579,237	*	4/1986	Gagnon	215/396
4,623,185	*	11/1986	Thomas	294/87.28
4,638,530	*	1/1987	Perry	224/904 X

4,749,112	*	6/1988	Harper	224/553
4,955,572	*	9/1990	Simmons	248/312
5,249,108	*	9/1993	Gary	248/314 X
5,544,031	*	8/1996	Blanton	248/205.1 X

* cited by examiner

Primary Examiner—Cathron Brooks

(74) *Attorney, Agent, or Firm*—Mark B. Garred; Stetina
Brunda Garred & Brucker

(57) **CLAIM**

The ornamental design for a container carrying device, as shown and described.

DESCRIPTION

FIG. 1 is a front right side perspective view of the container carrying device of the present invention showing my new design, the broken line depictions of the container, belt, and support panel being for illustrative purposes only and forming no part of my new design;

FIG. 2 is a top plan view of the container carrying device, shown in an unfolded position, the broken line depiction of the support panel being for illustrative purposes only and forming no part of my new design;

FIG. 3 is a right side elevational view of FIG. 2, the left side elevational view being a mirror image of the right side elevational view;

FIG. 4 is a bottom plan view of FIG. 2;

FIG. 5 is a front elevational view of FIG. 2; and,

FIG. 6 is a rear elevational view of FIG. 2.

1 Claim, 2 Drawing Sheets

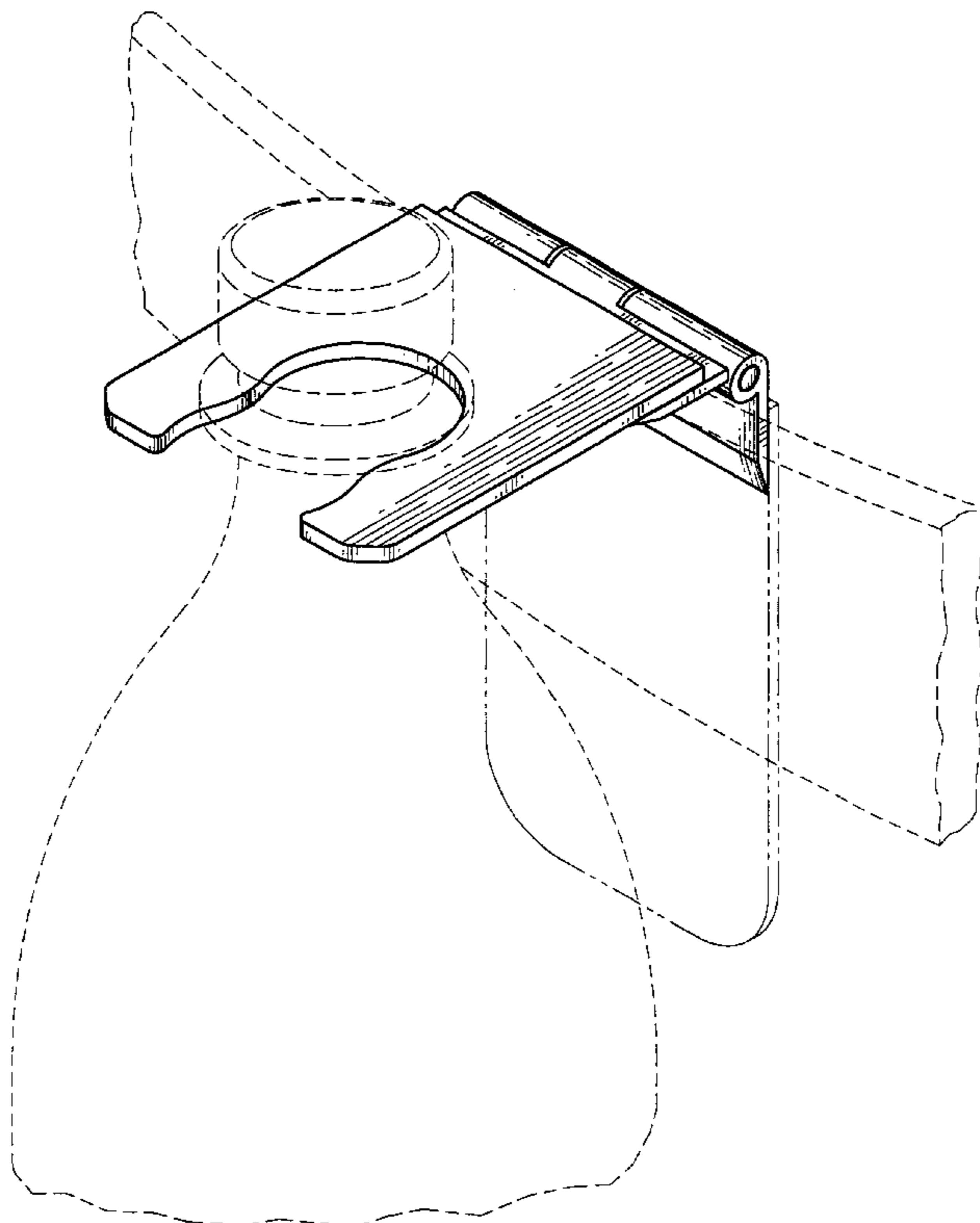


Fig. 1

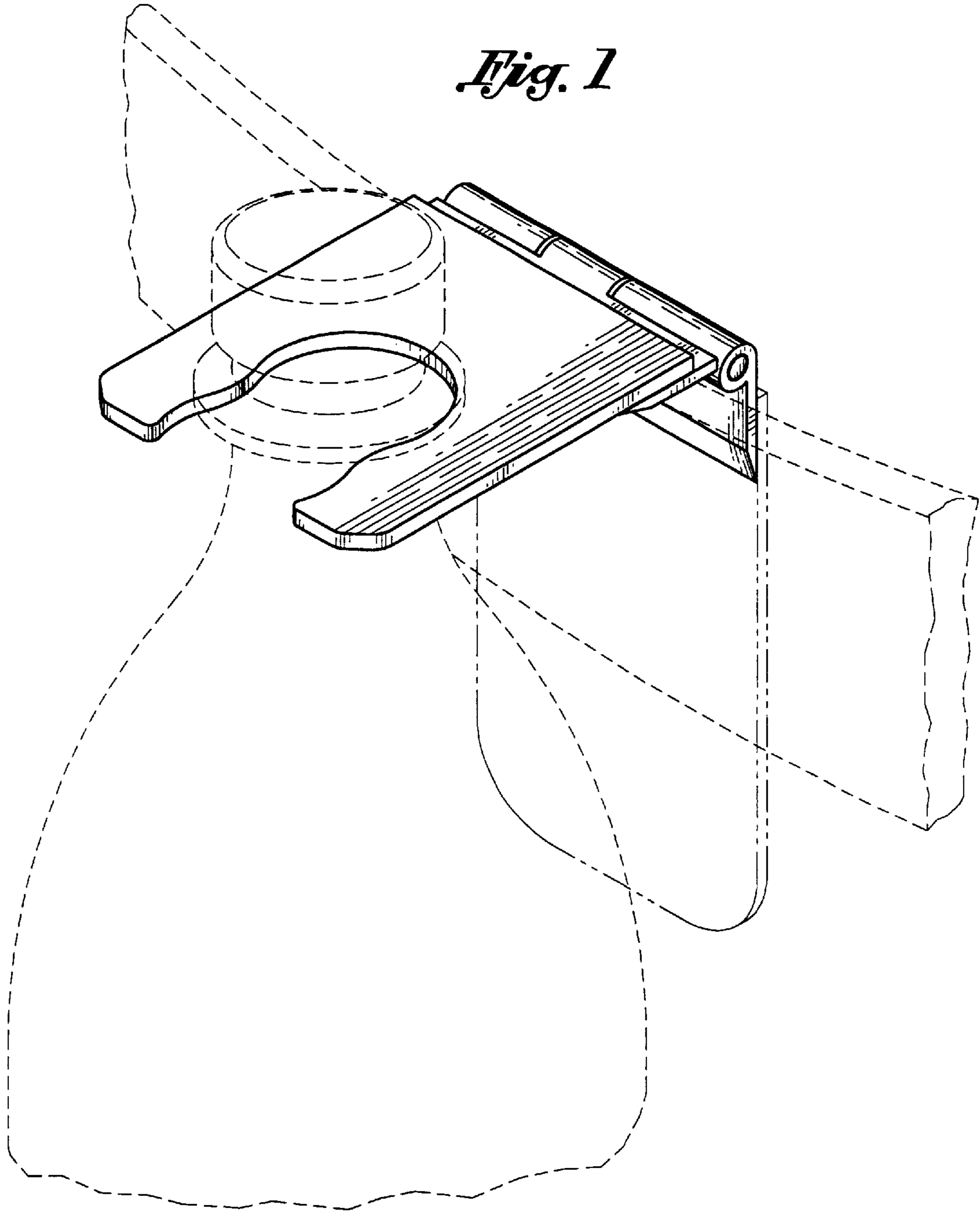


Fig. 5

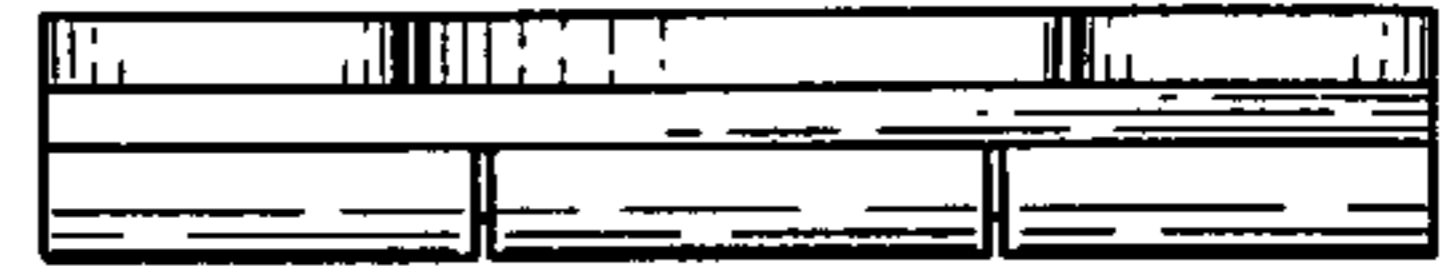


Fig. 2

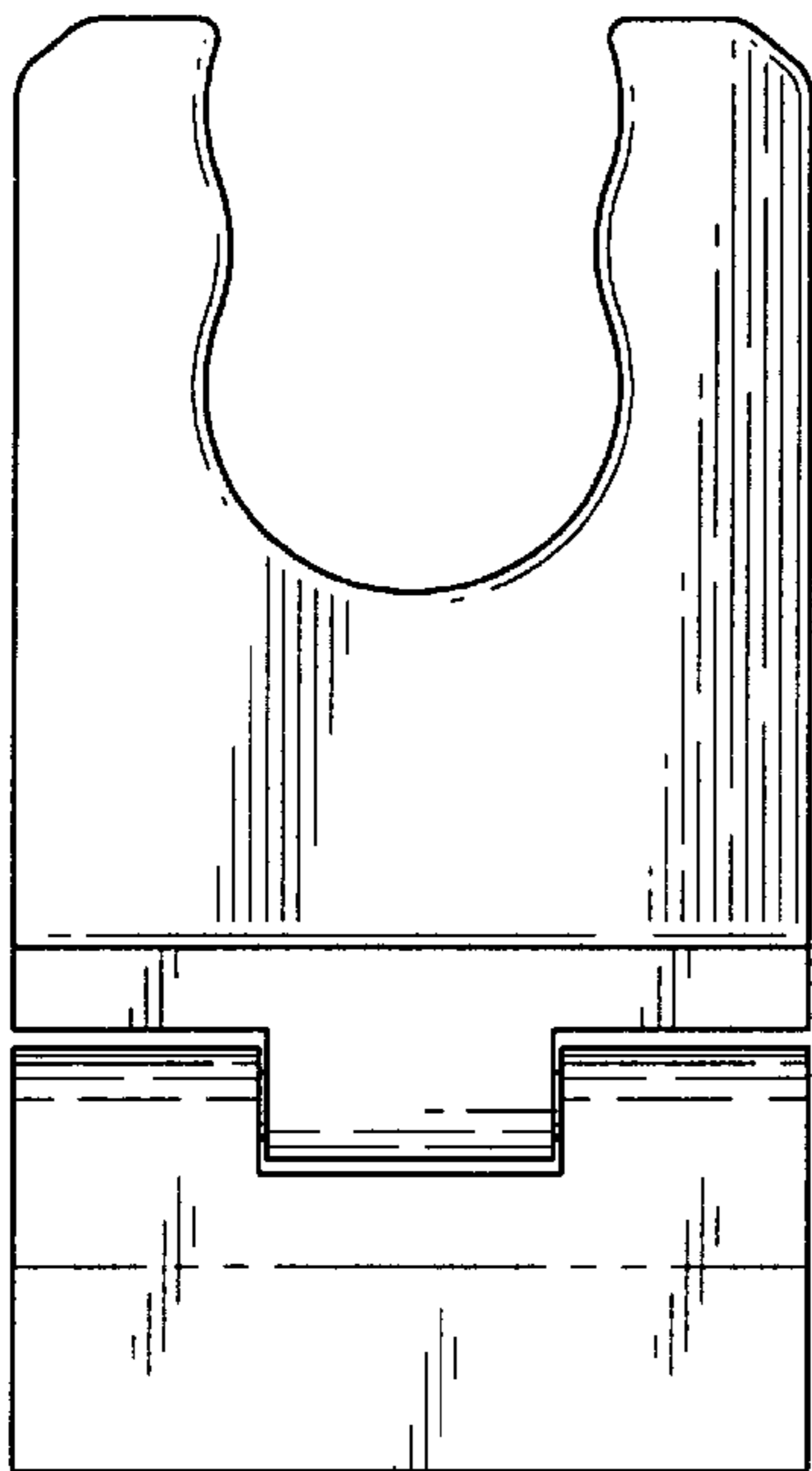


Fig. 3



Fig. 4

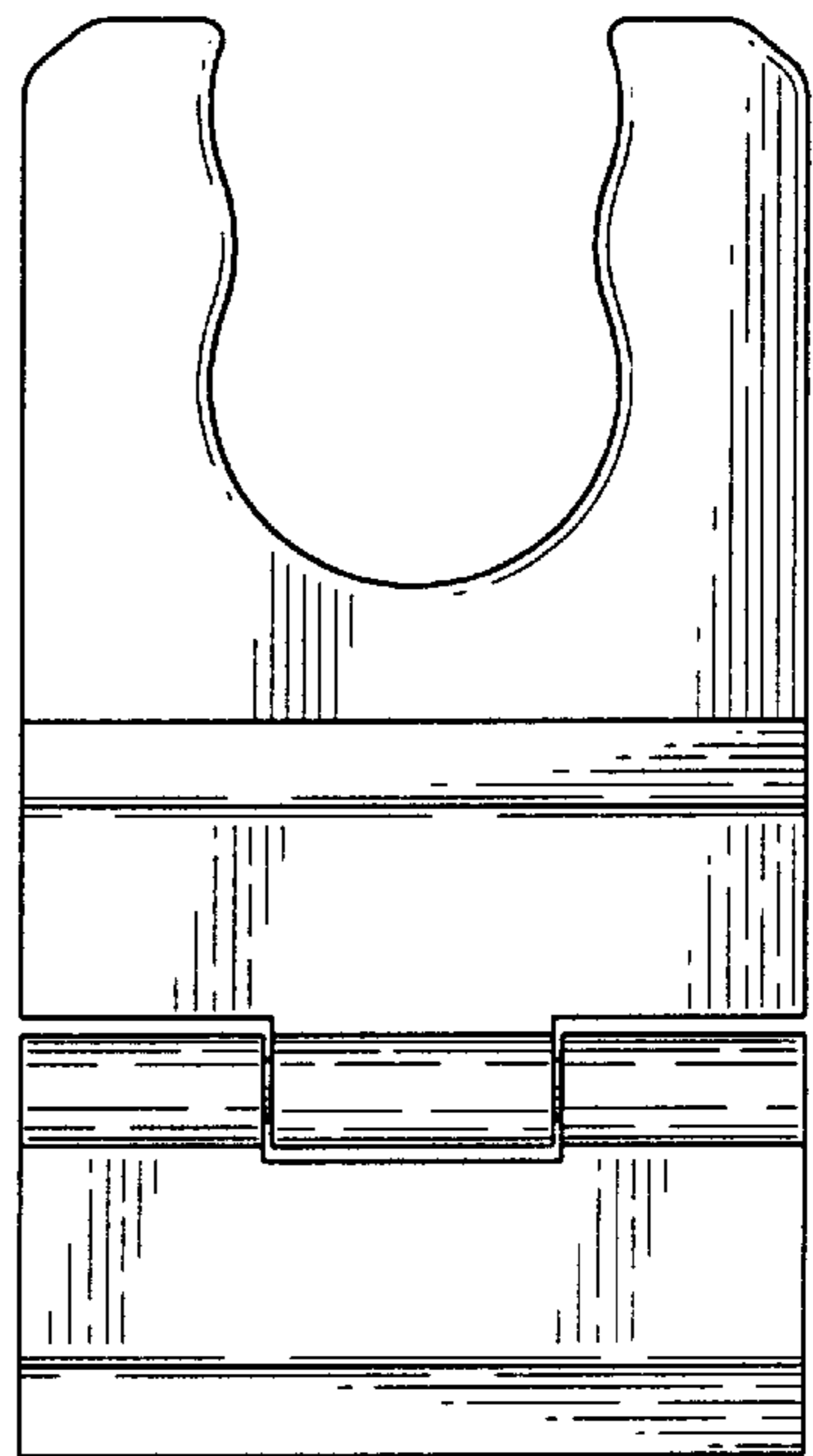


Fig. 6

