



US00D444698S

(12) **United States Design Patent**  
**Anderson**

(10) **Patent No.:** **US D444,698 S**

(45) **Date of Patent:** **\*\* Jul. 10, 2001**

(54) **CARRIER FOR A CONTROL SYSTEM IN AN ARCHITECTURAL COVERING**

5,992,495 \* 11/1999 Cadorette ..... 160/168

\* cited by examiner

(75) Inventor: **Richard N. Anderson**, Whitesville, KY (US)

*Primary Examiner*—Pamela Burgess

(74) *Attorney, Agent, or Firm*—Dorsey & Whitney LLP

(73) Assignee: **Hunter Douglas Inc.**, Upper Saddle River, NJ (US)

(57) **CLAIM**

(\*\*) Term: **14 Years**

I claim the ornamental design for a carrier for a control system in an architectural covering, as shown and described.

(21) Appl. No.: **29/120,130**

**DESCRIPTION**

(22) Filed: **Mar. 14, 2000**

FIG. 1 is a top rear perspective view of a carrier for a control system in an architectural covering showing my new design; FIG. 2 is a top front perspective view showing the opposite side of FIG. 1;

(51) **LOC (7) Cl.** ..... **08-05**

(52) **U.S. Cl.** ..... **D8/377**

(58) **Field of Search** ..... D8/373, 377, 382, D8/376; 16/97, 91, 105-107, 87 R, 90, 99; 160/168.1, 173

FIG. 3 is a bottom perspective view thereof;

FIG. 4 is a top plan view thereof;

FIG. 5 is a side elevational view thereof;

FIG. 6 is a bottom plan view thereof;

FIG. 7 is a side elevational view showing the opposite side of FIG. 5;

FIG. 8 is a front elevational view thereof; and,

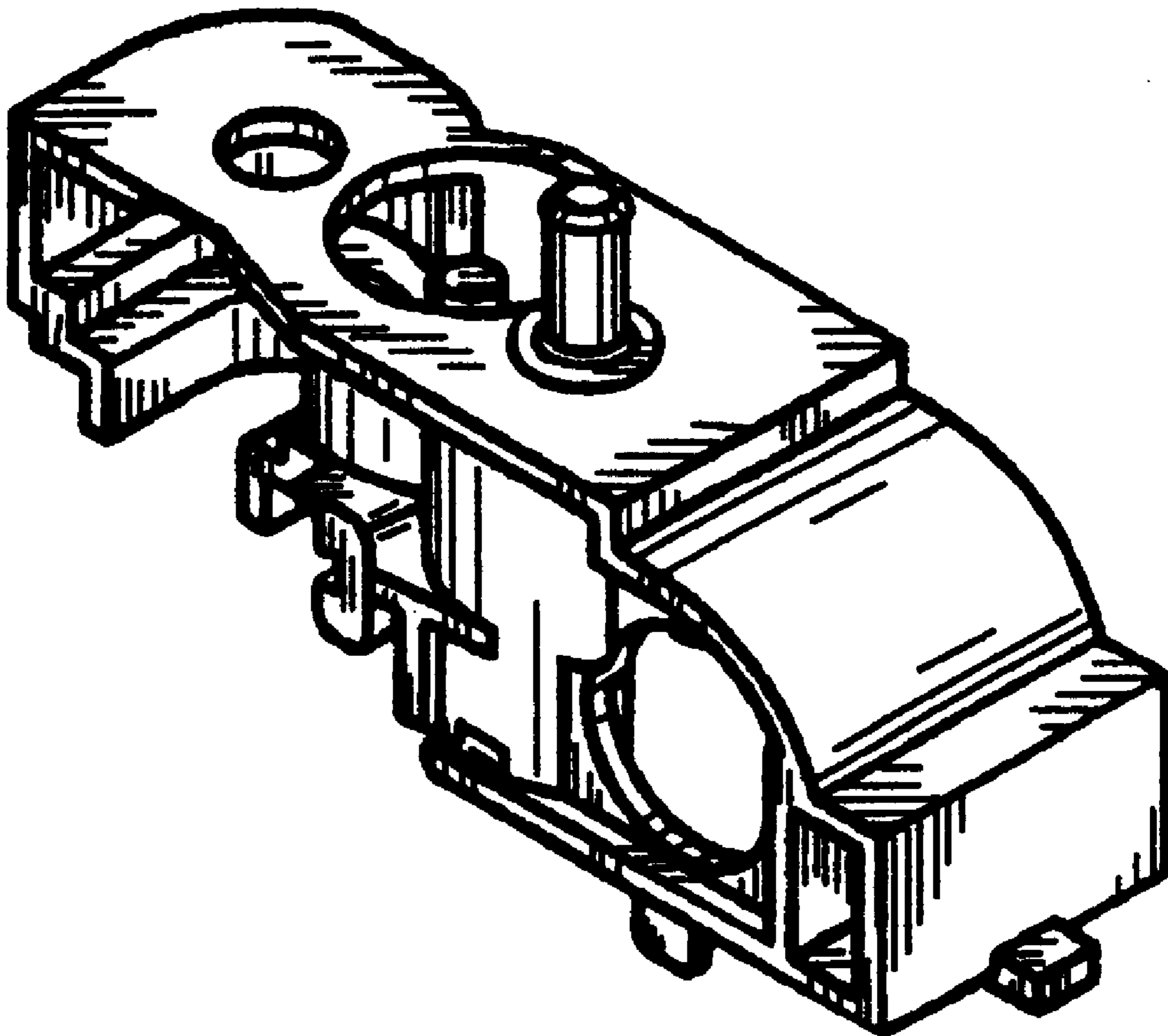
FIG. 9 is a rear elevational view thereof.

(56) **References Cited**

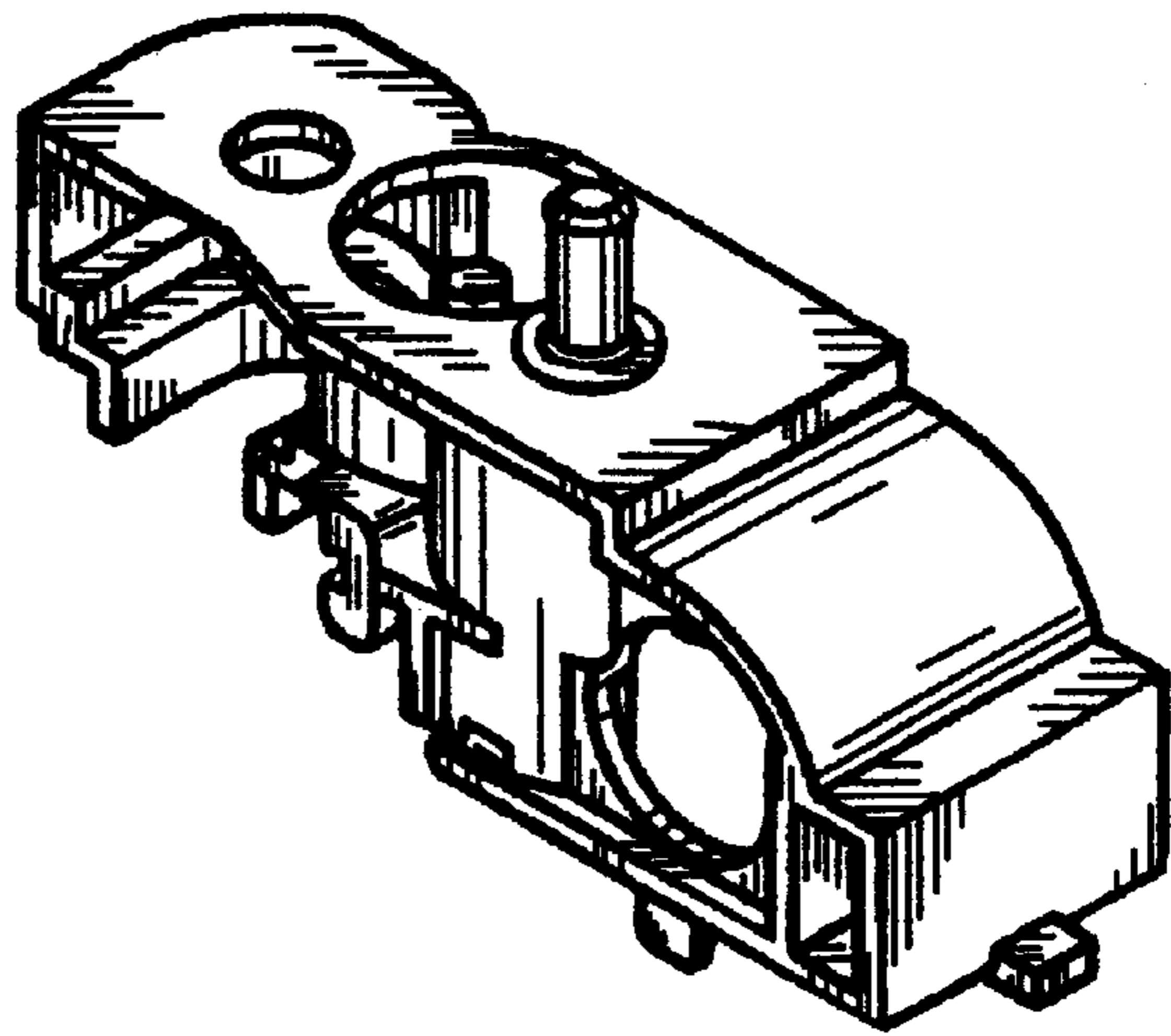
**U.S. PATENT DOCUMENTS**

- D. 413,507 \* 9/1999 Wu ..... D8/377
- 5,092,386 \* 3/1992 Spohr et al. .... 160/168.1

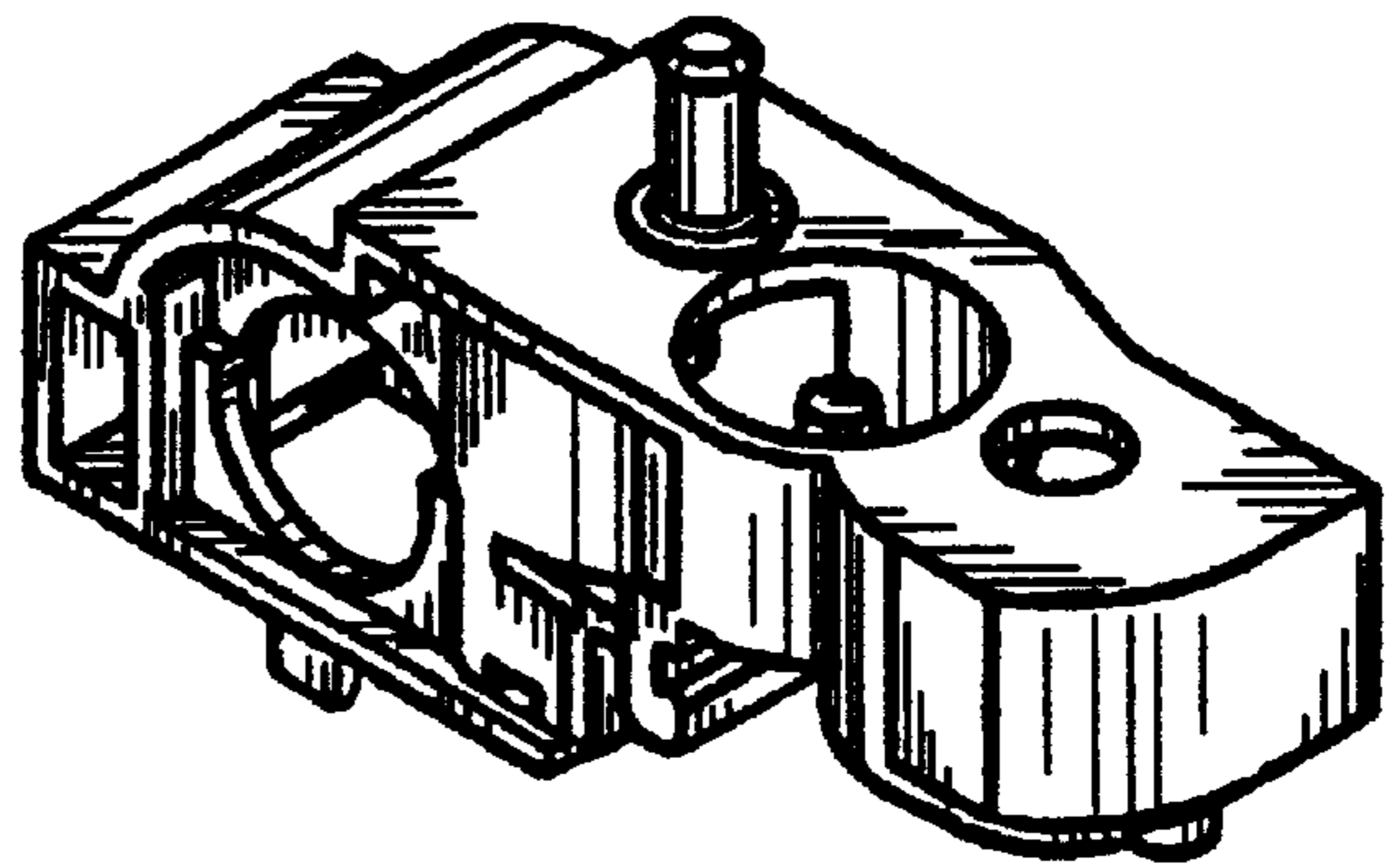
**1 Claim, 3 Drawing Sheets**



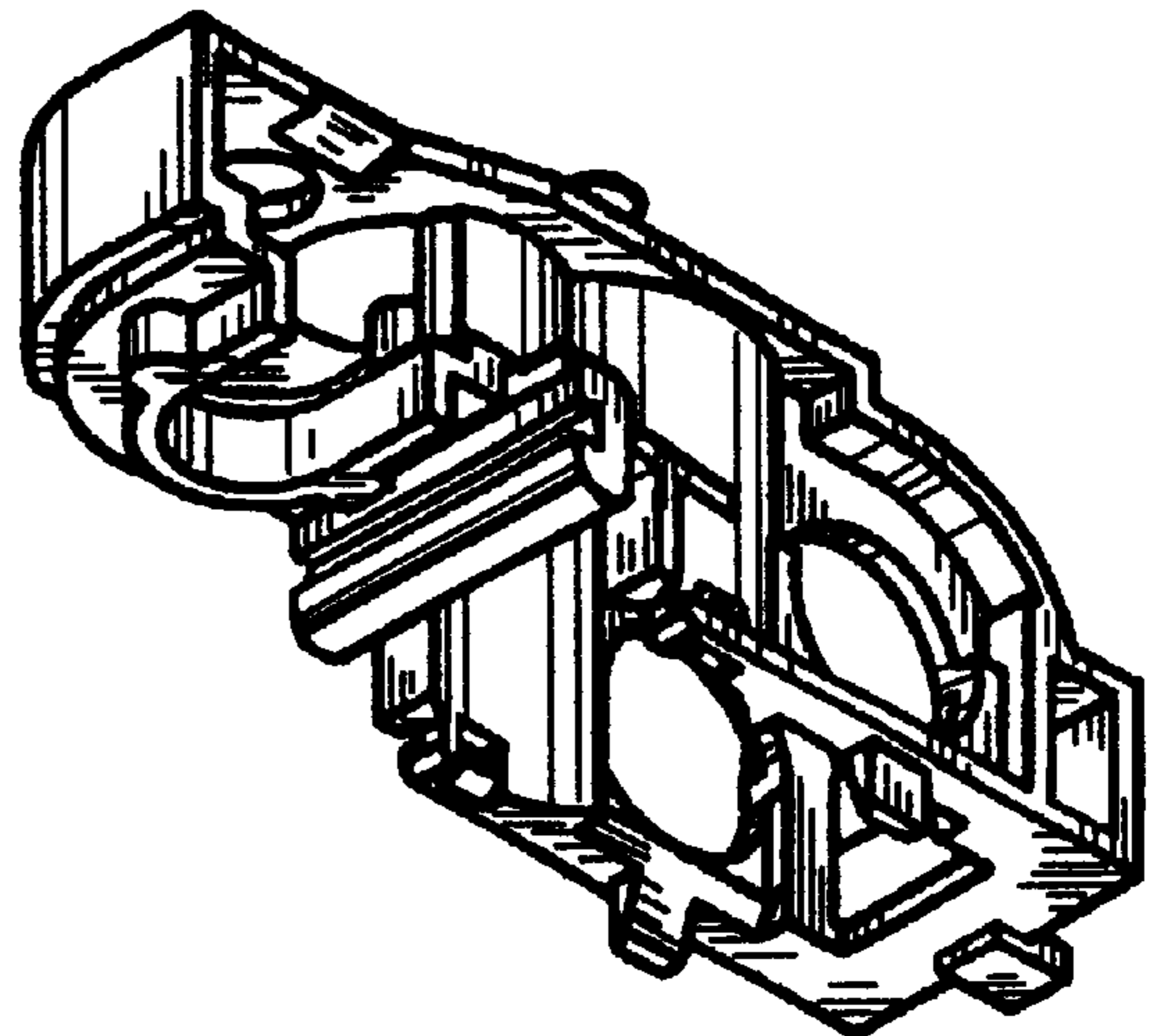
**Fig. 1**

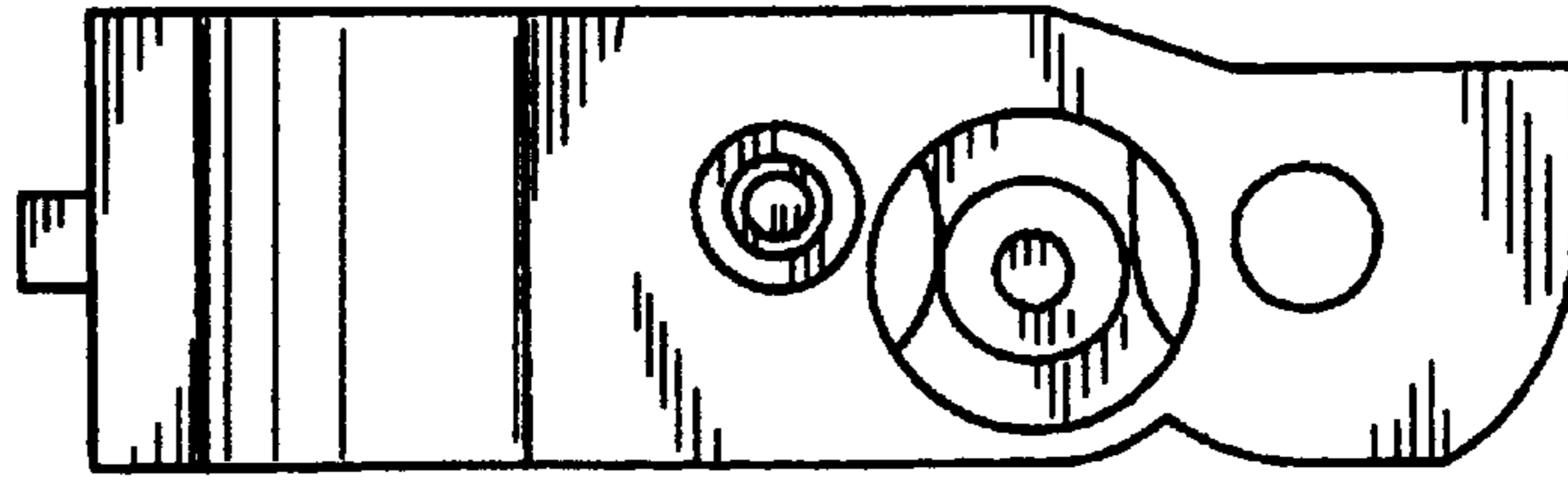


**Fig. 2**

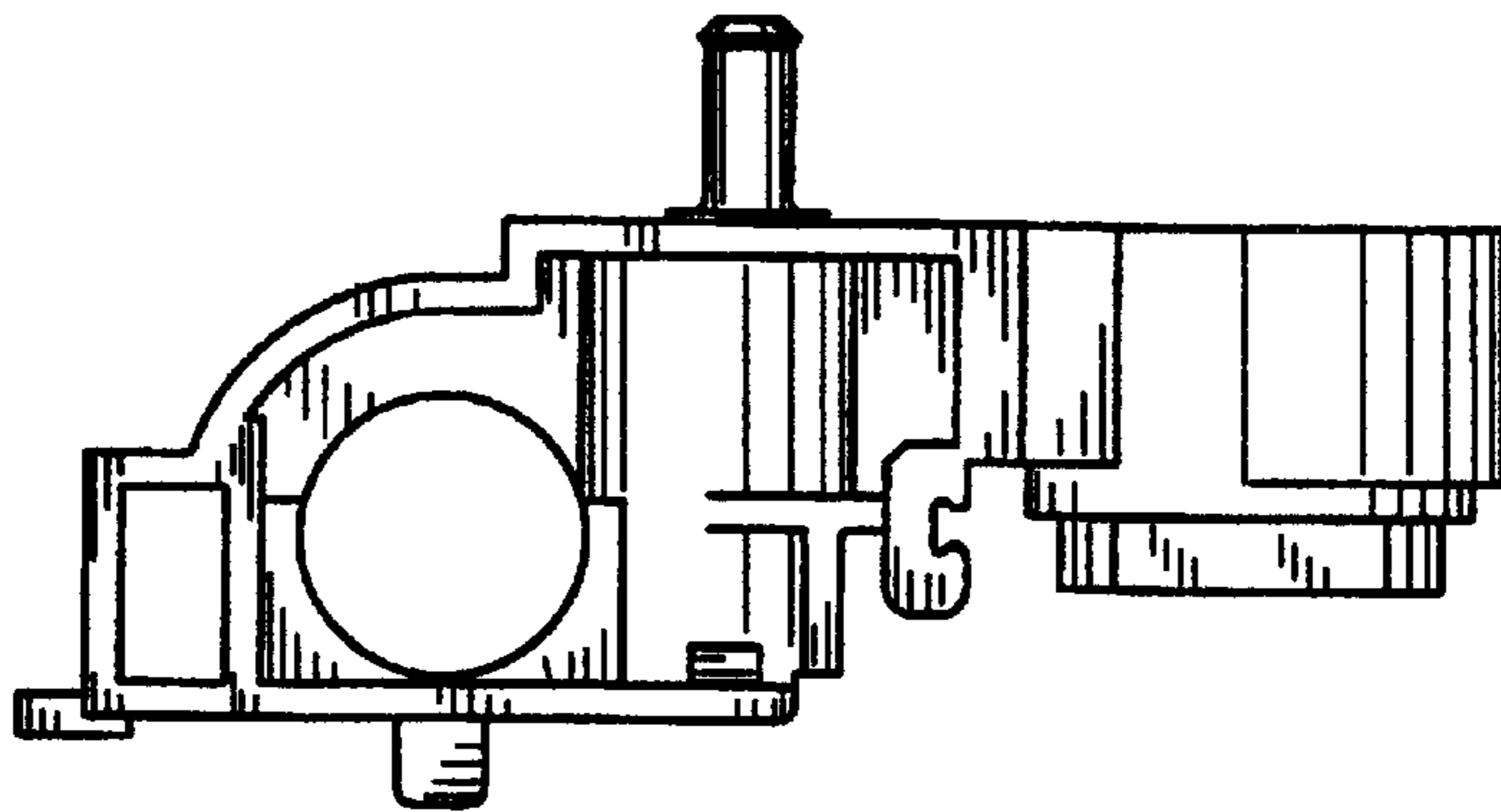


**Fig. 3**

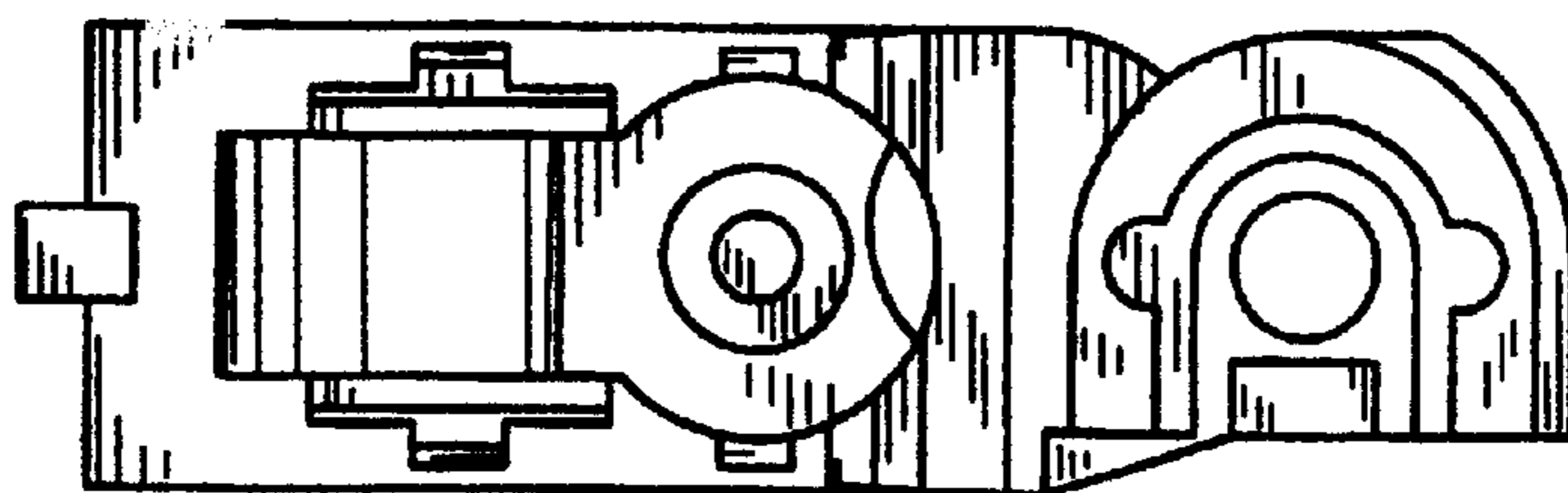




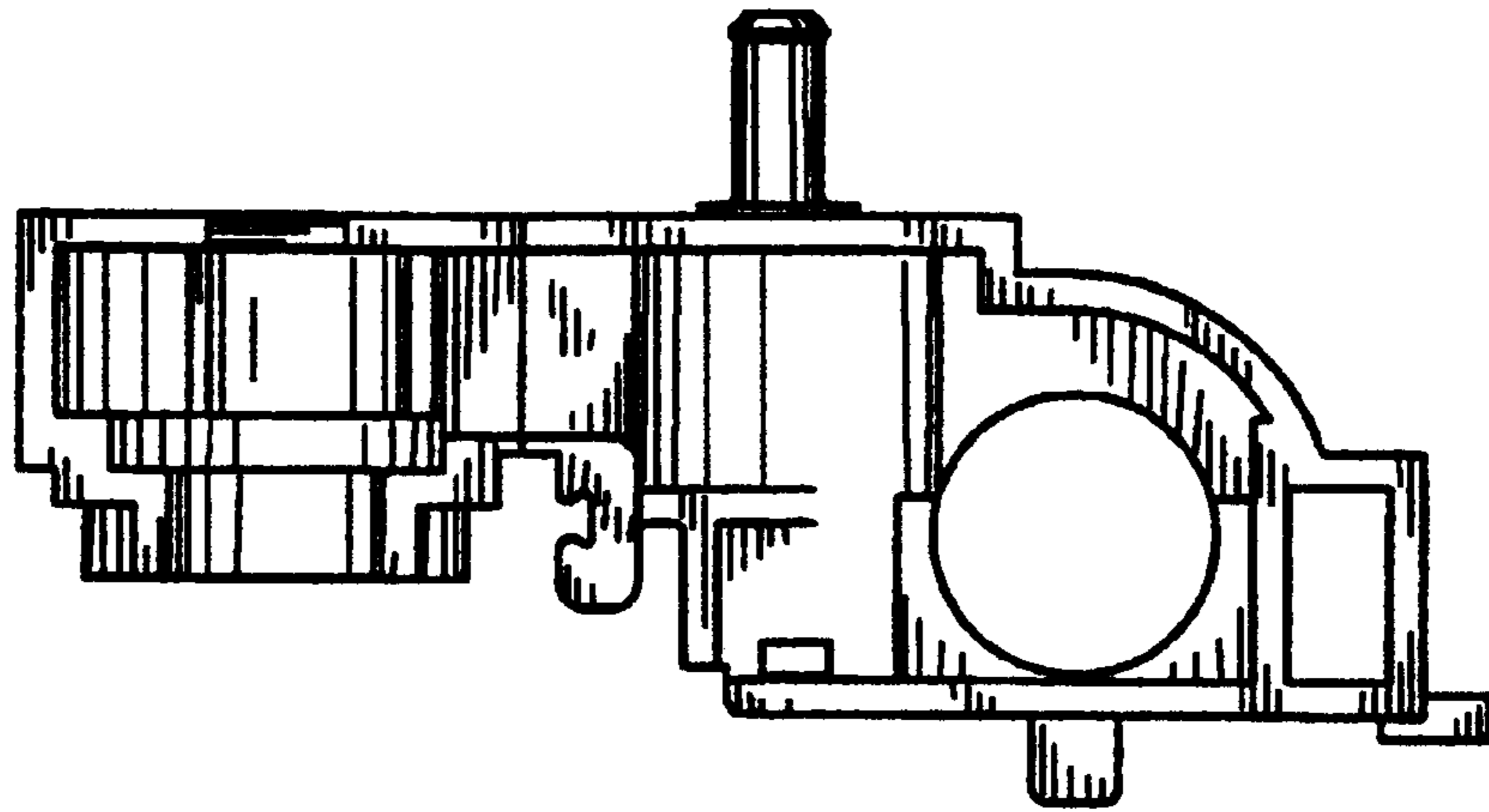
**Fig. 4**



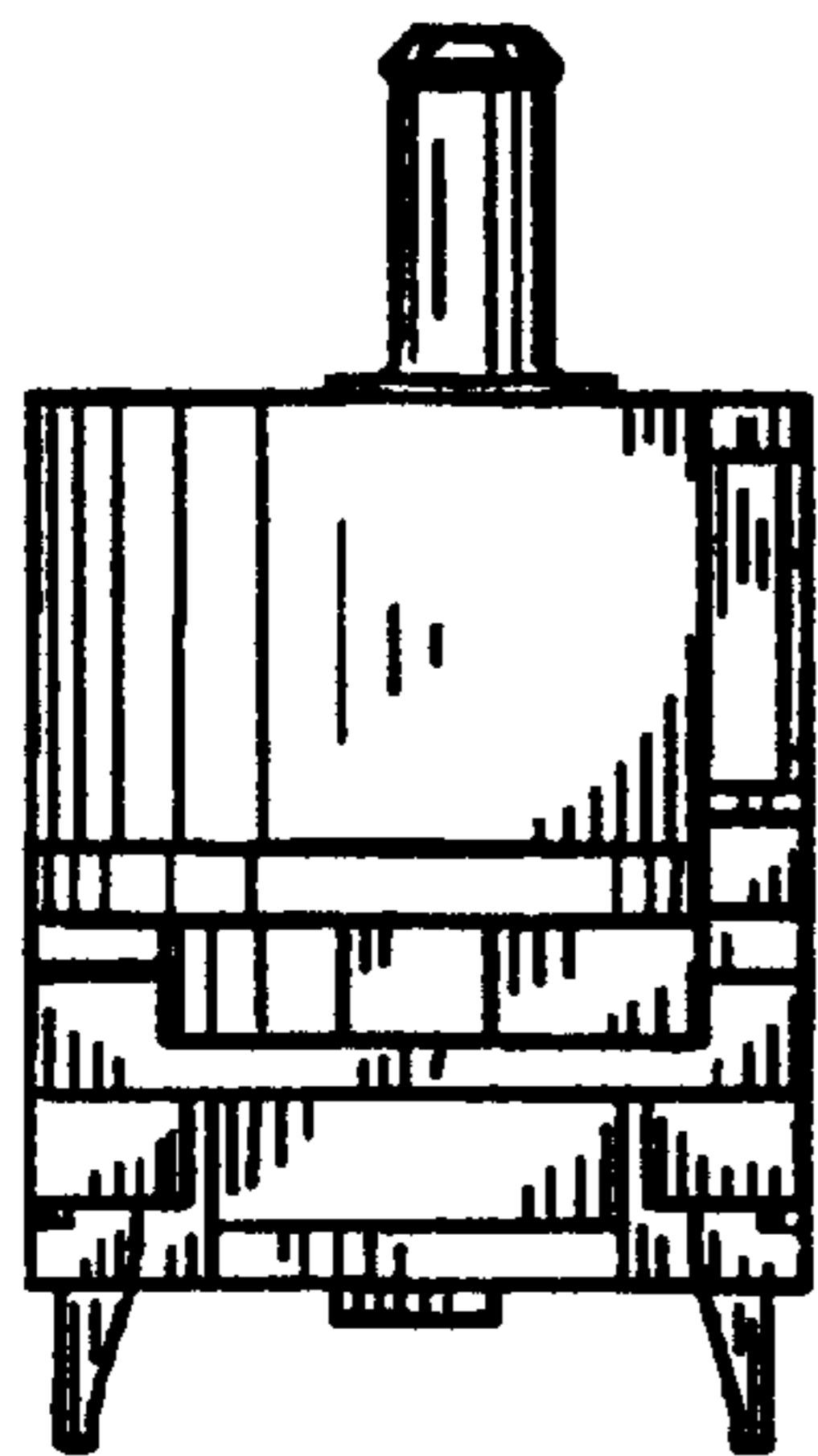
**Fig. 5**



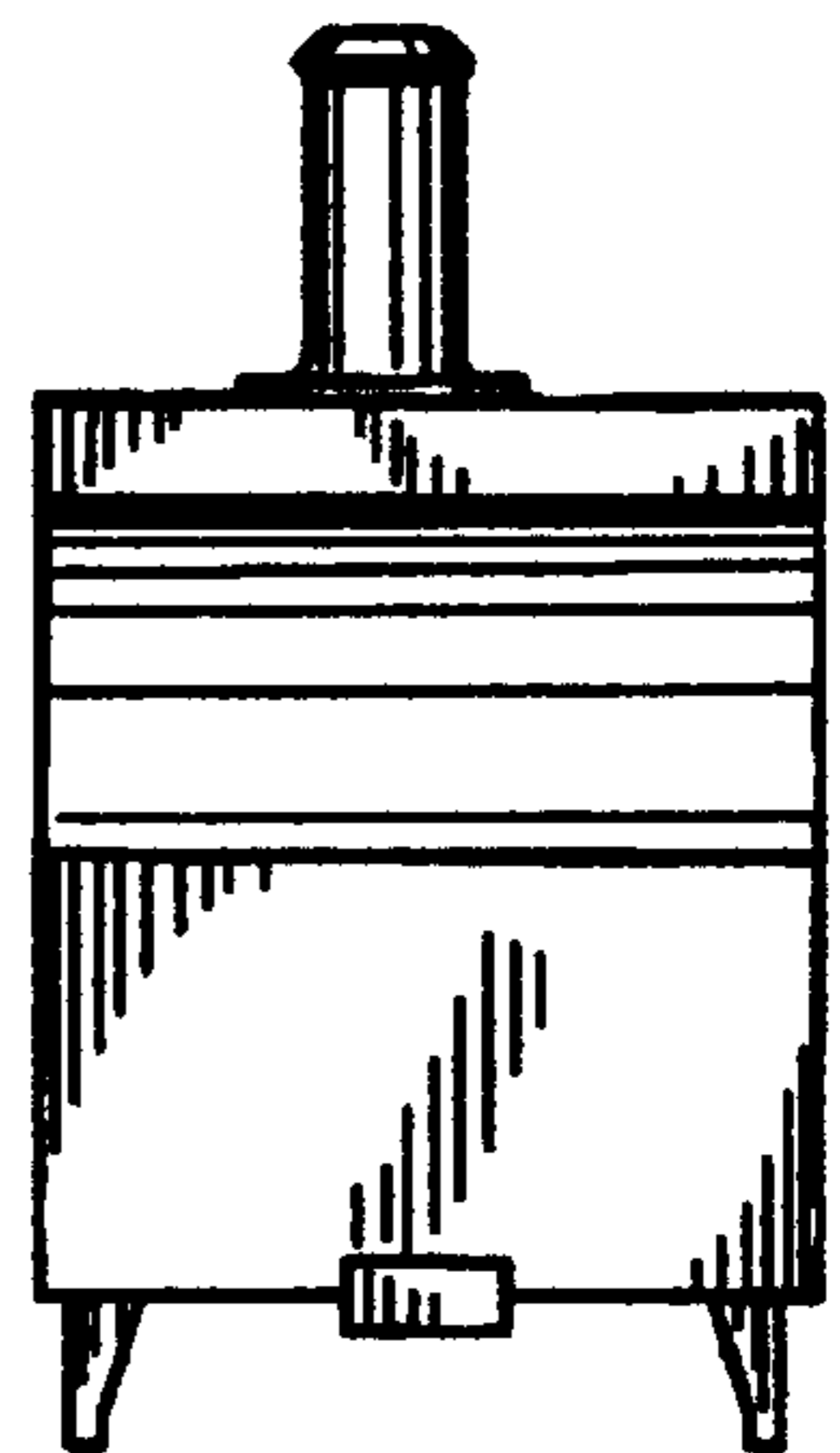
**Fig. 6**



**Fig. 7**



**Fig. 8**



**Fig. 9**