



US00D444696S

(12) **United States Design Patent**
Kuo

(10) **Patent No.:** **US D444,696 S**

(45) **Date of Patent:** **** Jul. 10, 2001**

(54) **LUGGAGE BEZEL**

(75) **Inventor:** **Chung-Hsien Kuo, Pan-Chiao (TW)**

(73) **Assignee:** **Chaw Khong Technology Co., Ltd.,
Taipei County (TW)**

(**) **Term:** **14 Years**

(21) **Appl. No.:** **29/123,353**

(22) **Filed:** **May 17, 2000**

(51) **LOC (7) Cl.** **11-05**

(52) **U.S. Cl.** **D8/350**

(58) **Field of Search** D8/350, 353; D3/318,
D3/321, 276, 279, 281; 16/113.1; 190/18 A,
39, 100, 115, 118

(56) **References Cited**

U.S. PATENT DOCUMENTS

D. 428,797 * 8/2000 Lin D8/350
5,566,798 * 10/1996 Tsai 190/115

5,803,214 * 9/1998 Wang 190/115
5,927,451 * 7/1999 Tsai 190/115
6,079,527 * 6/2000 Kuo 190/115

* cited by examiner

Primary Examiner—Louis S. Zarfes

Assistant Examiner—Robert A. Delehanty

(74) *Attorney, Agent, or Firm*—Dougherty & Troxell

(57) **CLAIM**

The ornamental design for a luggage bezel, as shown.

DESCRIPTION

FIG. 1 is a perspective view of the luggage bezel of this invention;

FIG. 2 is a front elevational view thereof;

FIG. 3 is a rear elevational view thereof;

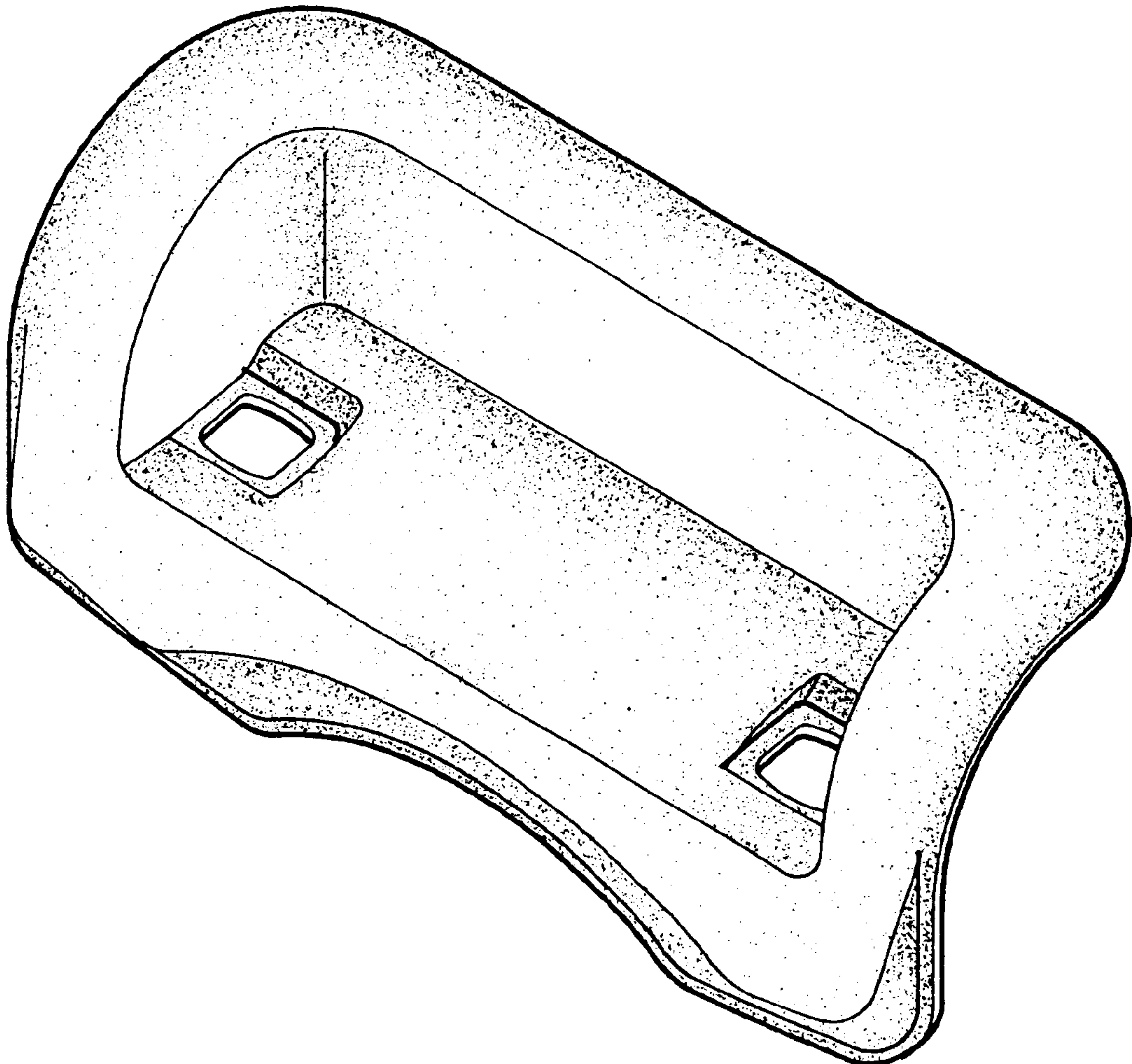
FIG. 4 is a left side elevational view thereof;

FIG. 5 is a right side elevational view thereof;

FIG. 6 is a top plan view thereof; and,

FIG. 7 is a bottom plan view thereof.

1 Claim, 4 Drawing Sheets



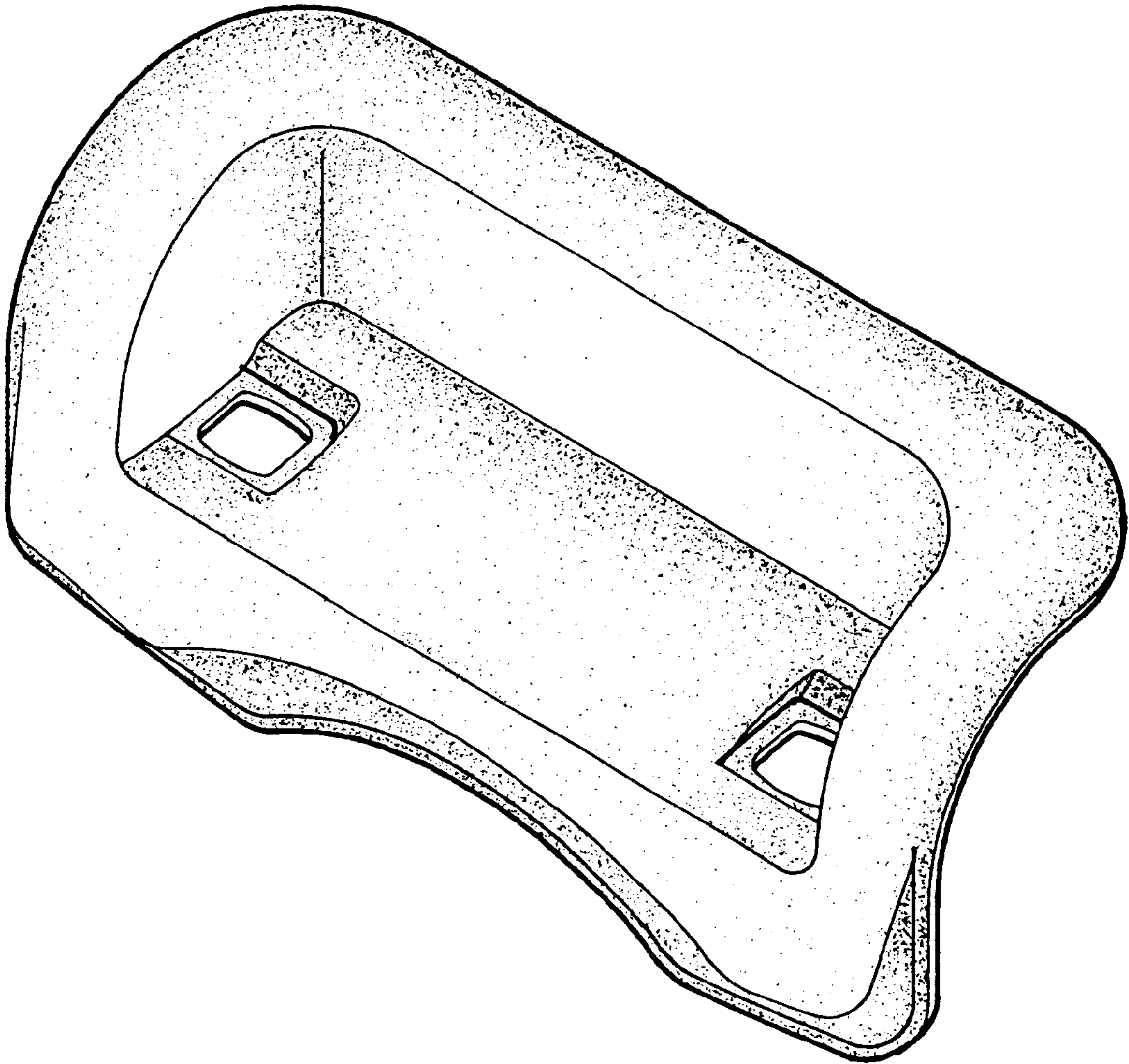


FIG. 1

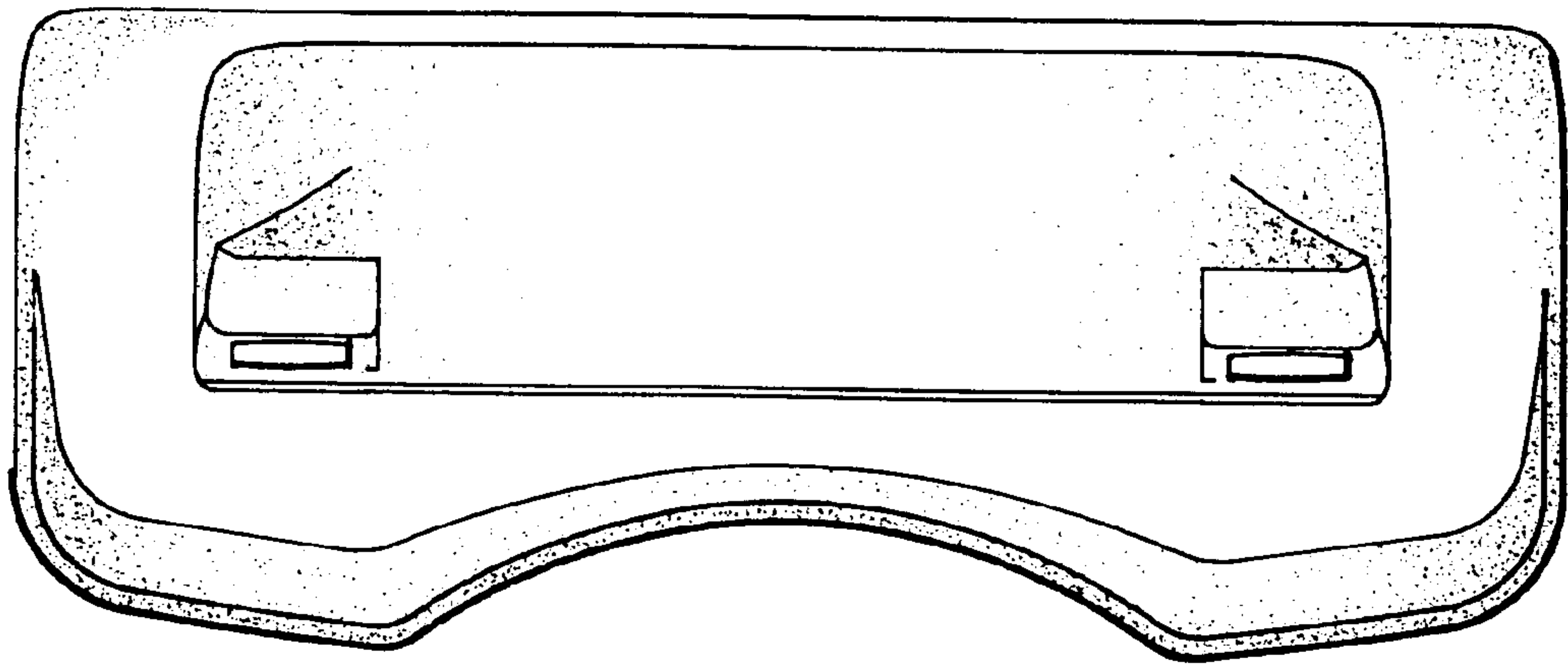


FIG. 2

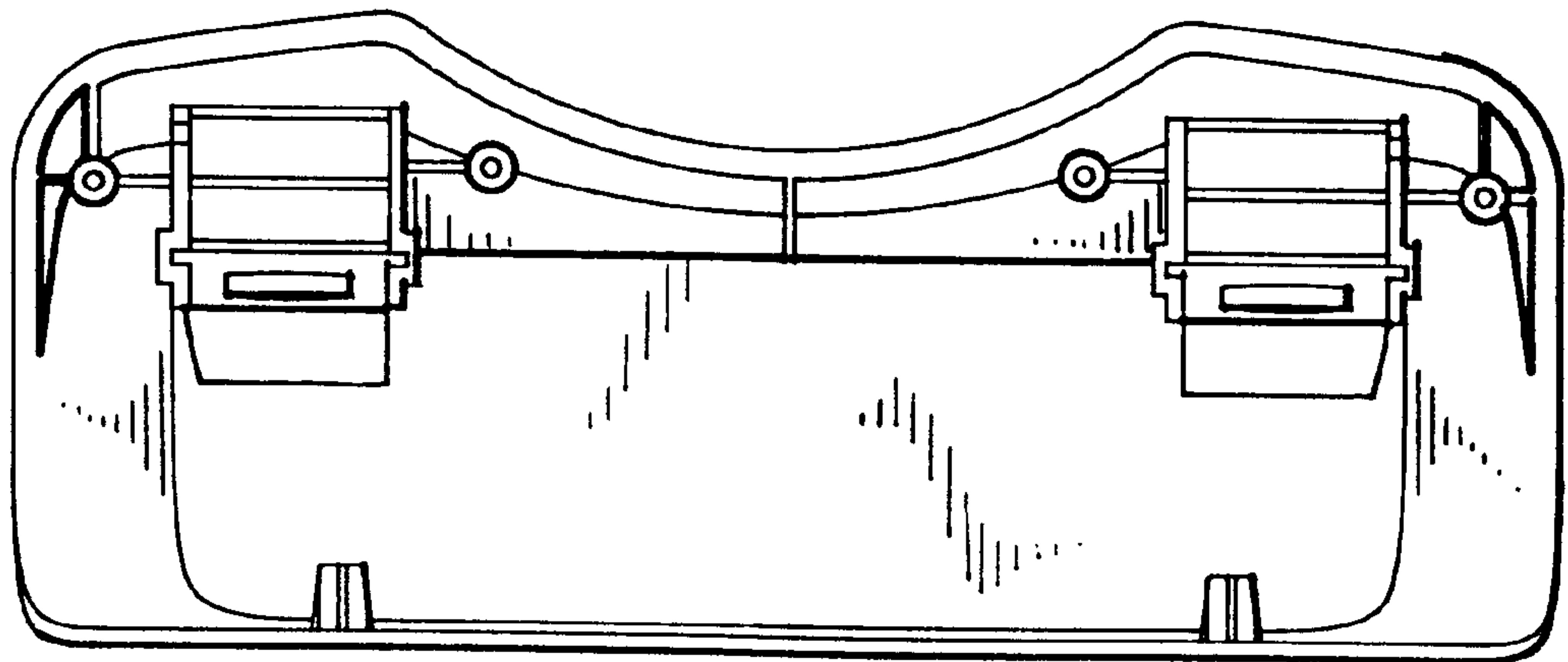


FIG. 3

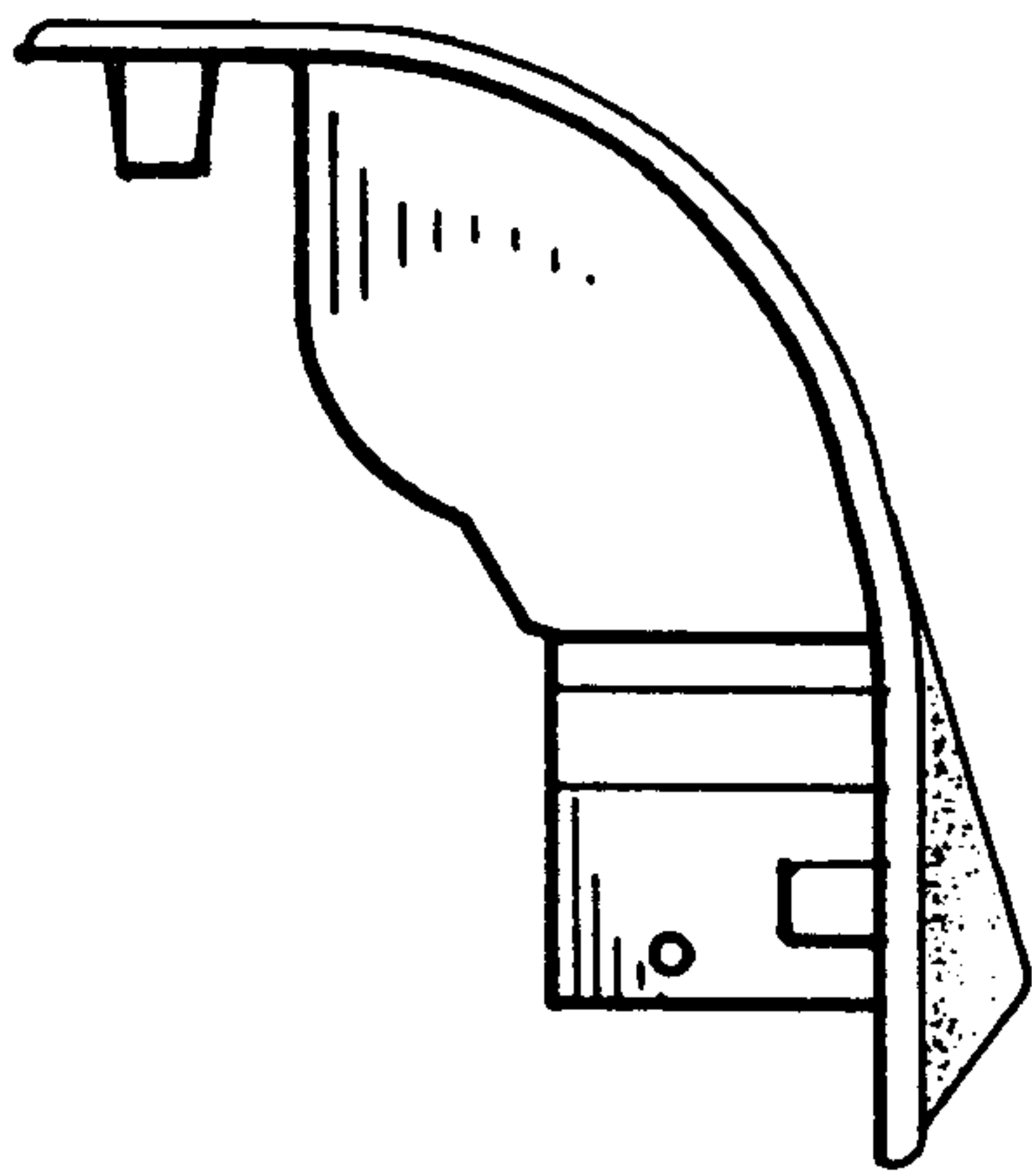


FIG. 4

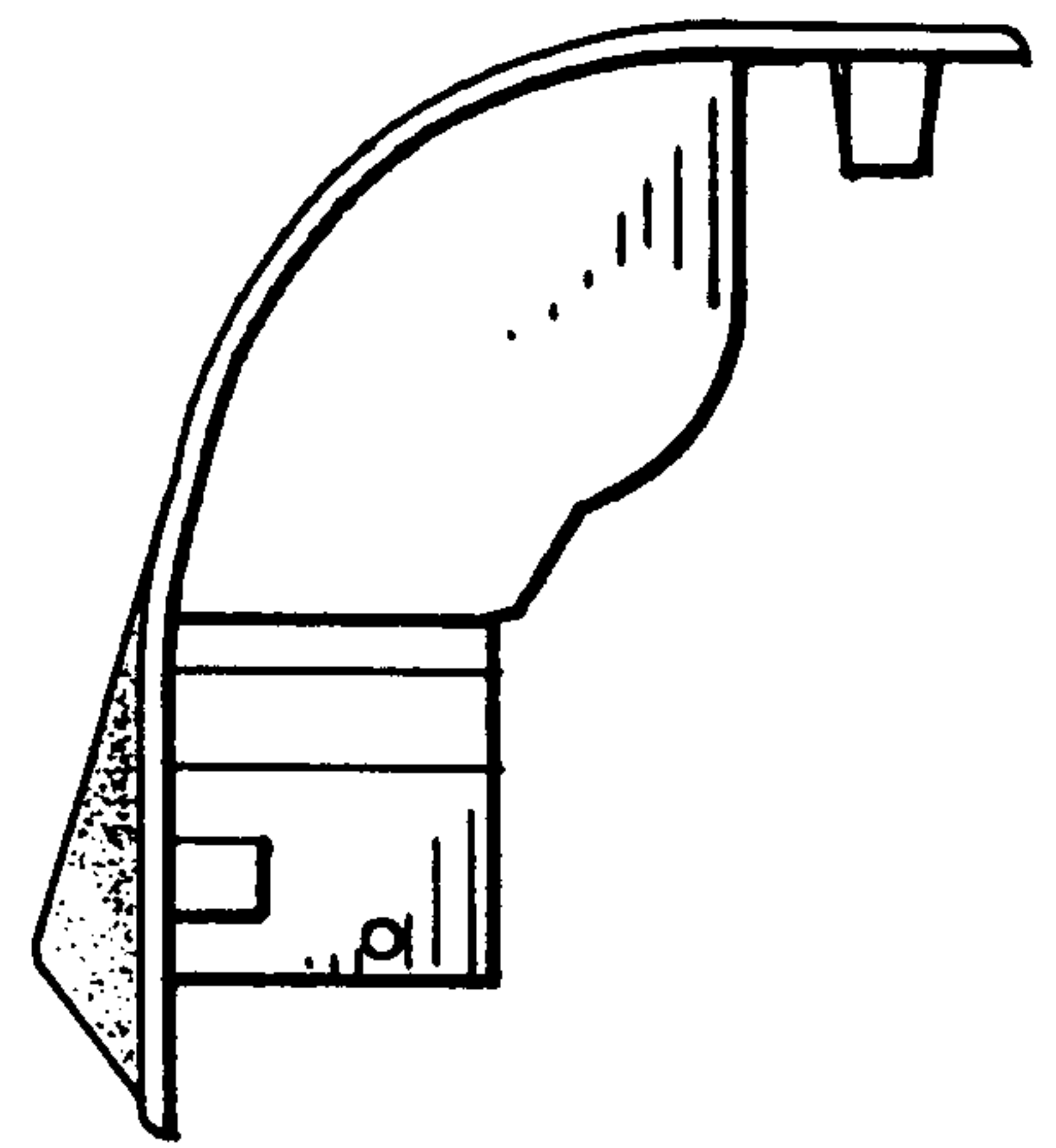


FIG. 5

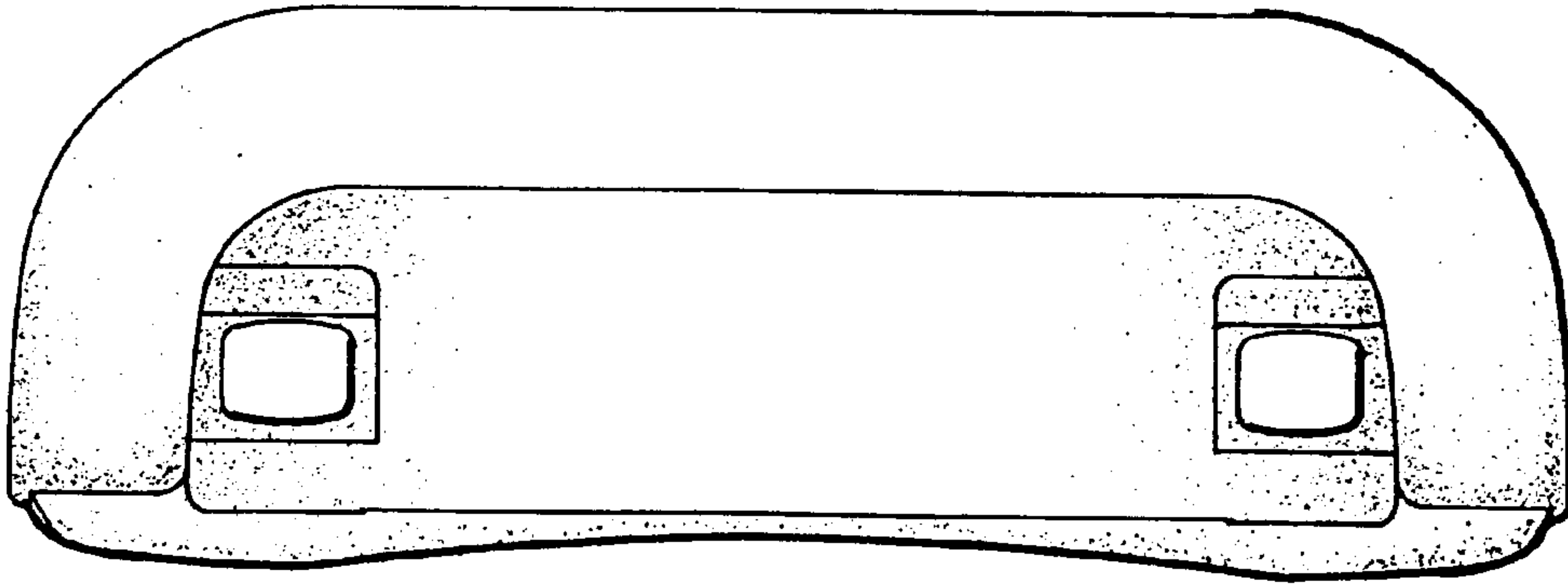


FIG. 6

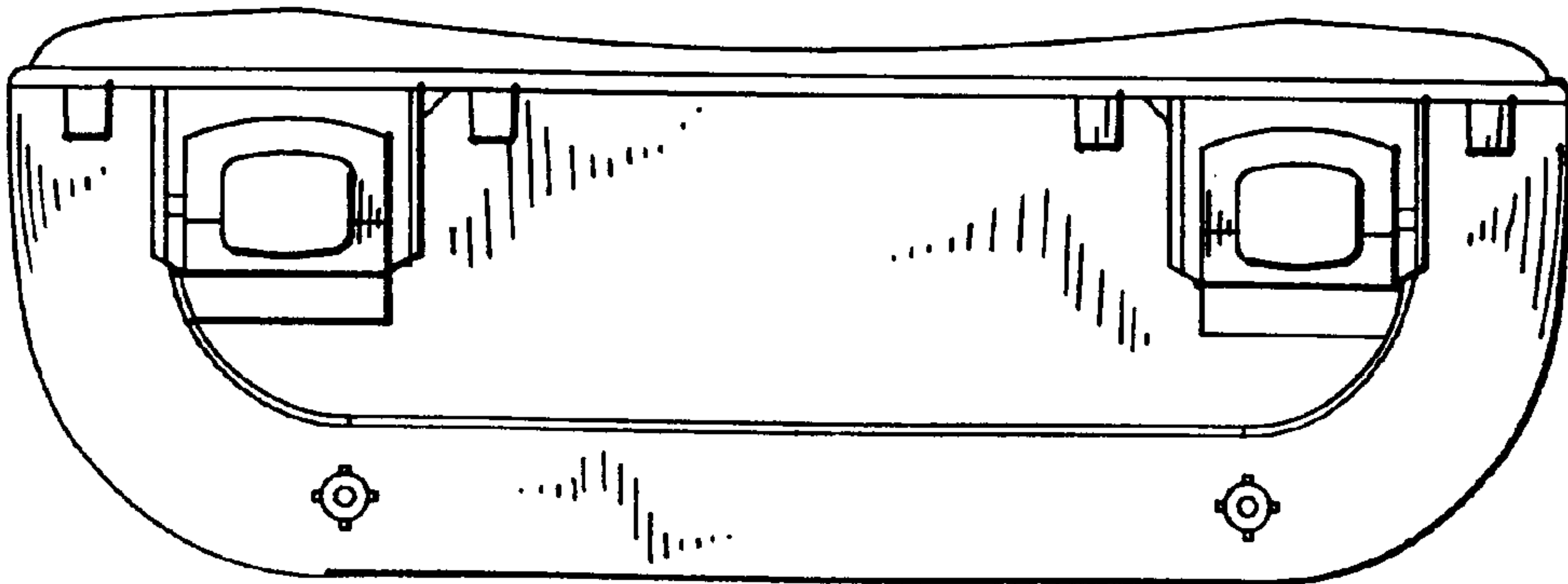


FIG. 7