



US00D444690S

(12) **United States Design Patent**
Bond

(10) **Patent No.:** **US D444,690 S**

(45) **Date of Patent:** **** Jul. 10, 2001**

(54) **CROWBAR**

(76) Inventor: **William Ralph Bond**, 4710 Asdee La.,
Woodbridge, VA (US) 22192

(**) Term: **14 Years**

(21) Appl. No.: **29/130,524**

(22) Filed: **Oct. 4, 2000**

(51) **LOC (7) Cl.** **08-05**

(52) **U.S. Cl.** **D8/89; D8/16**

(58) **Field of Search** D8/14, 88, 89,
D8/16; 254/25, 131, 133; 7/166

(56) **References Cited**

U.S. PATENT DOCUMENTS

D. 30,480	4/1899	Weihenmayer	D8/75
D. 195,362	6/1963	Geisler	D8/89
D. 197,206	* 12/1963	Estwing	D8/89
D. 289,360	4/1987	Westcott	D8/89
D. 314,321	2/1991	Johnston	D8/89
D. 350,270	* 9/1994	Jensen	D8/89
D. 359,894	7/1995	Pomeroy	D8/16
D. 386,057	11/1997	Hreha	D8/89
1,486,820	* 3/1924	Wilder	254/131
2,896,910	* 7/1959	Cooper et al.	254/131
3,134,574	* 5/1964	Reuterfors	254/25

5,207,126	*	5/1993	Schaben	D8/16
5,322,264	*	6/1994	Giambro	254/25
5,695,171	*	12/1997	Shine	254/25

FOREIGN PATENT DOCUMENTS

135131 11/1919 (GB) .

* cited by examiner

Primary Examiner—Philip S. Hyder

(74) *Attorney, Agent, or Firm*—Palmer C. DeMeo

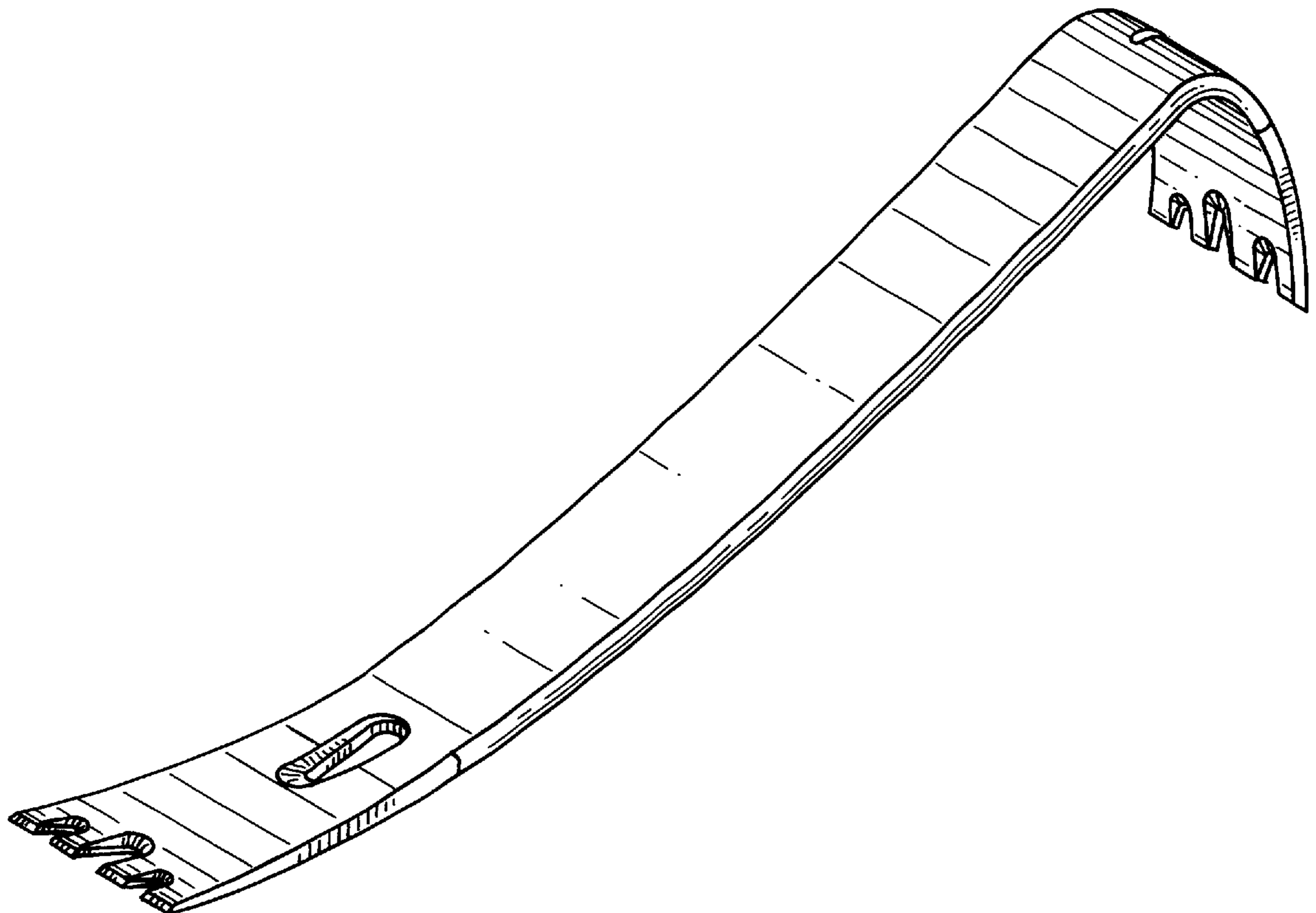
(57) **CLAIM**

The ornamental design for a crowbar, as shown and described.

DESCRIPTION

FIG. 1 is a perspective view of a crowbar of my new design; FIG. 2 is a side elevational view of FIG. 1, the opposite side elevational view being a mirror image thereof; FIG. 3 is a top plan view thereof; FIG. 4 is a bottom plan view thereof; FIG. 5 is an elevational view of the left end of the crowbar as seen in FIG. 1; and, FIG. 6 is an elevational view of the right end of the crowbar as seen in FIG. 1.

1 Claim, 2 Drawing Sheets



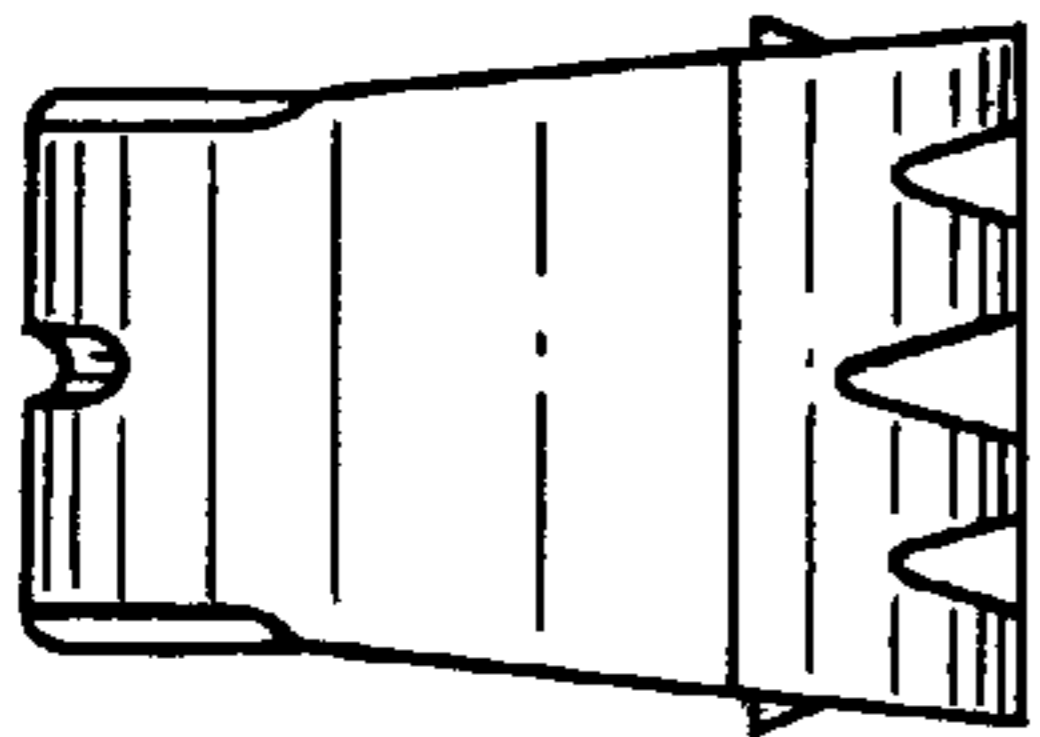


FIG. 5

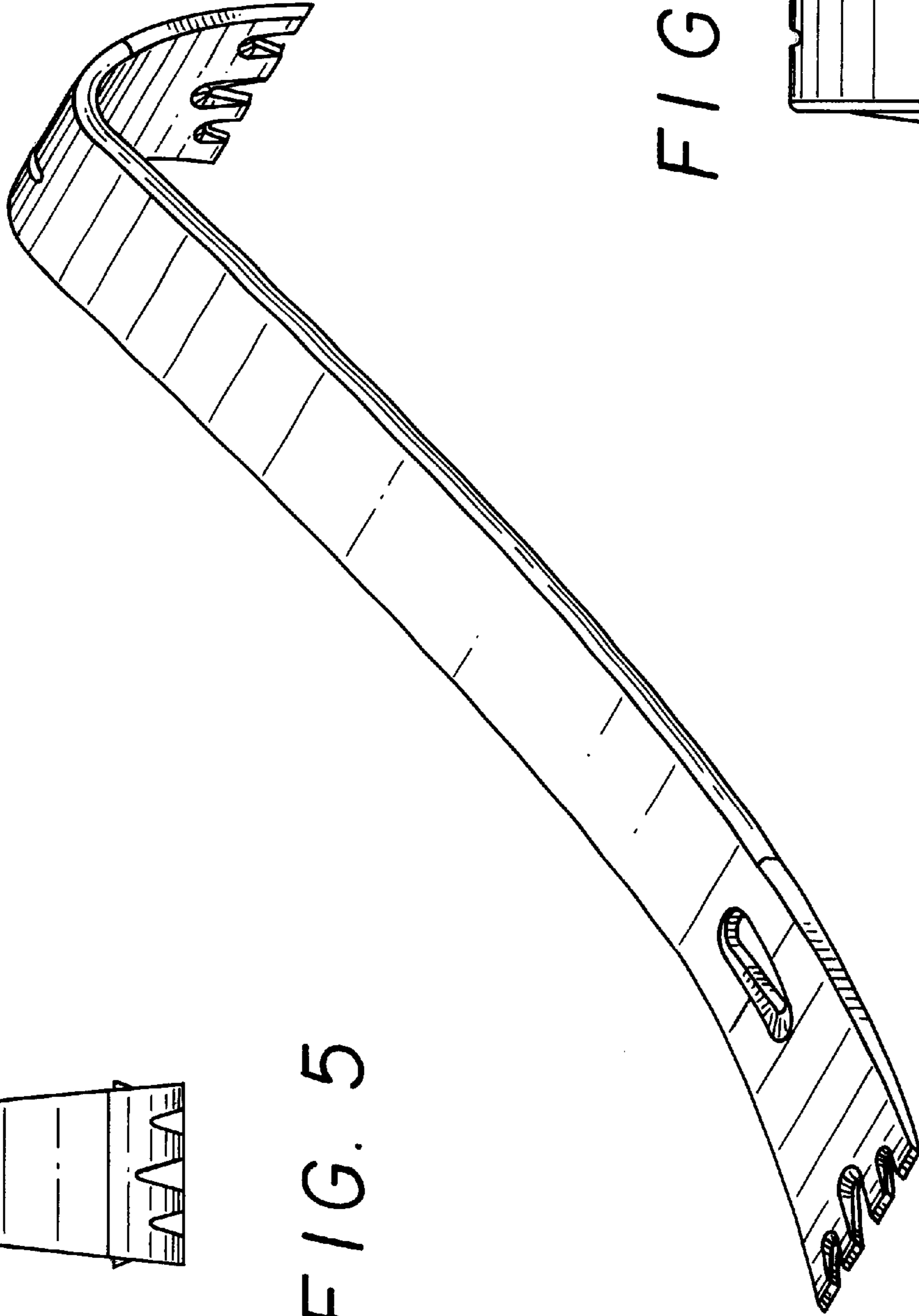


FIG. 1

FIG. 6

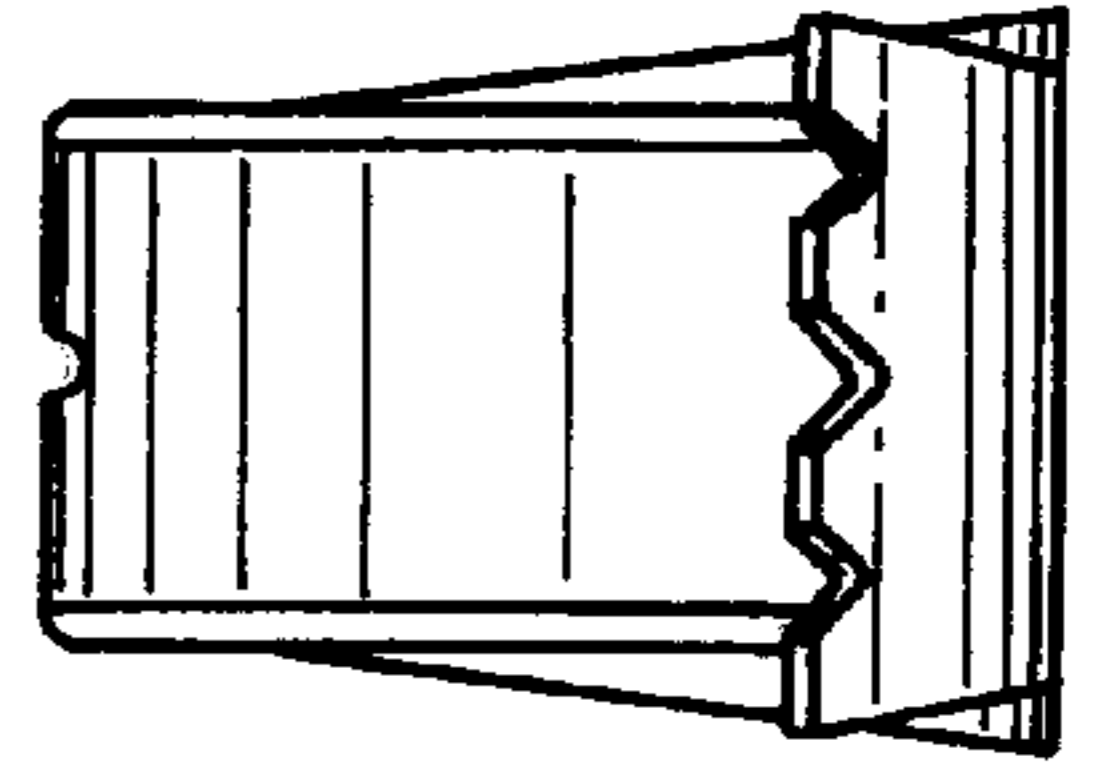


FIG. 2

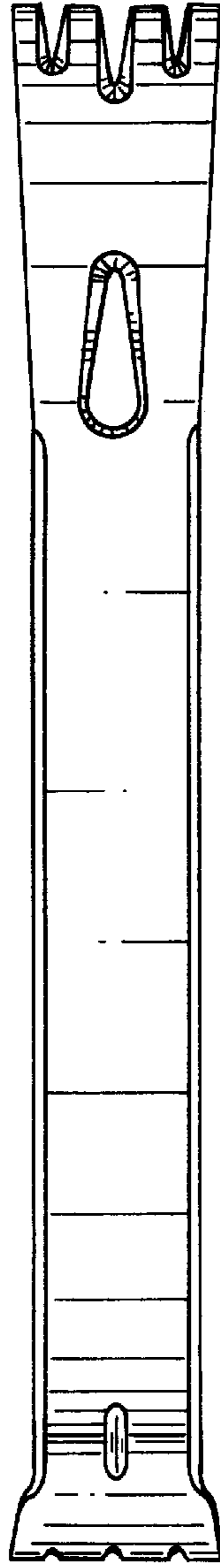


FIG. 3

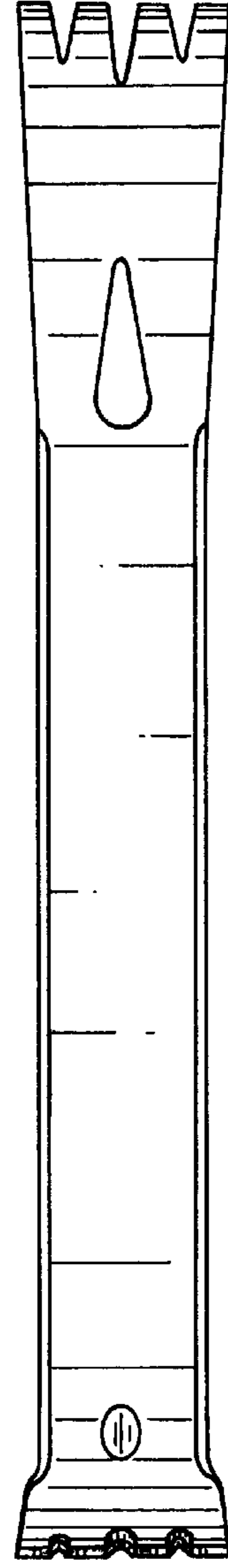


FIG. 4