



US00D444686S

(12) **United States Design Patent**
Brady

(10) **Patent No.:** **US D444,686 S**

(45) **Date of Patent:** **** Jul. 10, 2001**

(54) **CAN OPENER**

(75) **Inventor:** **Martin Brady**, Chesterfield, VA (US)

(73) **Assignee:** **Hamilton Beach/Proctor-Silex, Inc.**,
Glen Allen, VA (US)

(**) **Term:** **14 Years**

(21) **Appl. No.:** **29/131,478**

(22) **Filed:** **Oct. 23, 2000**

(51) **LOC (7) Cl.** **07-99**

(52) **U.S. Cl.** **D8/36**

(58) **Field of Search** D8/33-43, 18,
D8/19; 30/400-443; 81/3.07-3.49; 7/151-156

(56) **References Cited**

U.S. PATENT DOCUMENTS

D. 182,006	*	1/1958	Talge et al.	D8/35
D. 193,427	*	8/1962	Anderson et al.	D8/36
D. 319,956	*	9/1991	Barrault	D8/36
D. 387,644	*	12/1997	Naft et al.	D8/36
D. 417,129		11/1999	Brady et al. .	
D. 418,029	*	12/1999	Leverrier	D8/36
D. 418,728		1/2000	Kalina et al. .	
D. 422,468		4/2000	Cruz .	
3,623,523		11/1971	Meyer et al. .	
3,635,270		1/1972	Petroske et al. .	
3,675,321		7/1972	Arel et al. .	
4,053,981		10/1977	Aberer .	
4,520,567	*	6/1985	Crawford	30/424
4,534,108		8/1985	Yamamoto et al. .	
4,561,182		12/1985	Yamamoto et al. .	
4,622,749		11/1986	Inagaki .	
4,702,007		10/1987	Nomura et al. .	
4,726,119	*	2/1988	Lee	30/418
4,734,985		4/1988	Ozaki .	

4,901,441	2/1990	Kurz .
4,995,164	2/1991	Borger et al. .
5,239,757	8/1993	Weaber .
5,664,333	9/1997	Hardman .
6,092,292	7/2000	Molnar et al. .

OTHER PUBLICATIONS

Hamilton Beach/Proctor-Silex, Inc., "Under-Cabinet Opening Center with Shears", www.hamiltonbeach.com, Oct. 18, 2000.

Hamilton Beach/Proctor-Silex, Inc., "OpenEase™ Extra Tall Can Opener", www.hamiltonbeach.com, Oct. 18, 2000.

National Presto Industries, Inc., "Hide 'n Sleek Electric Can Opener", www.gopresto.com—Oct. 18, 2000.

Hamilton Beach/Proctor-Silex, Inc., "Can Openers", www.hamiltonbeach.com Jan. 8, 2001.

* cited by examiner

Primary Examiner—Jeffrey Asch

(74) *Attorney, Agent, or Firm*—Akin, Gump, Strauss, Hauer & Feld, L.L.P.

(57) **CLAIM**

The ornamental design for a can opener, as shown and described.

DESCRIPTION

FIG. 1 is a front perspective view of a can opener in accordance with my new design;

FIG. 2 is a right side elevational view thereof;

FIG. 3 is a left side elevational view thereof;

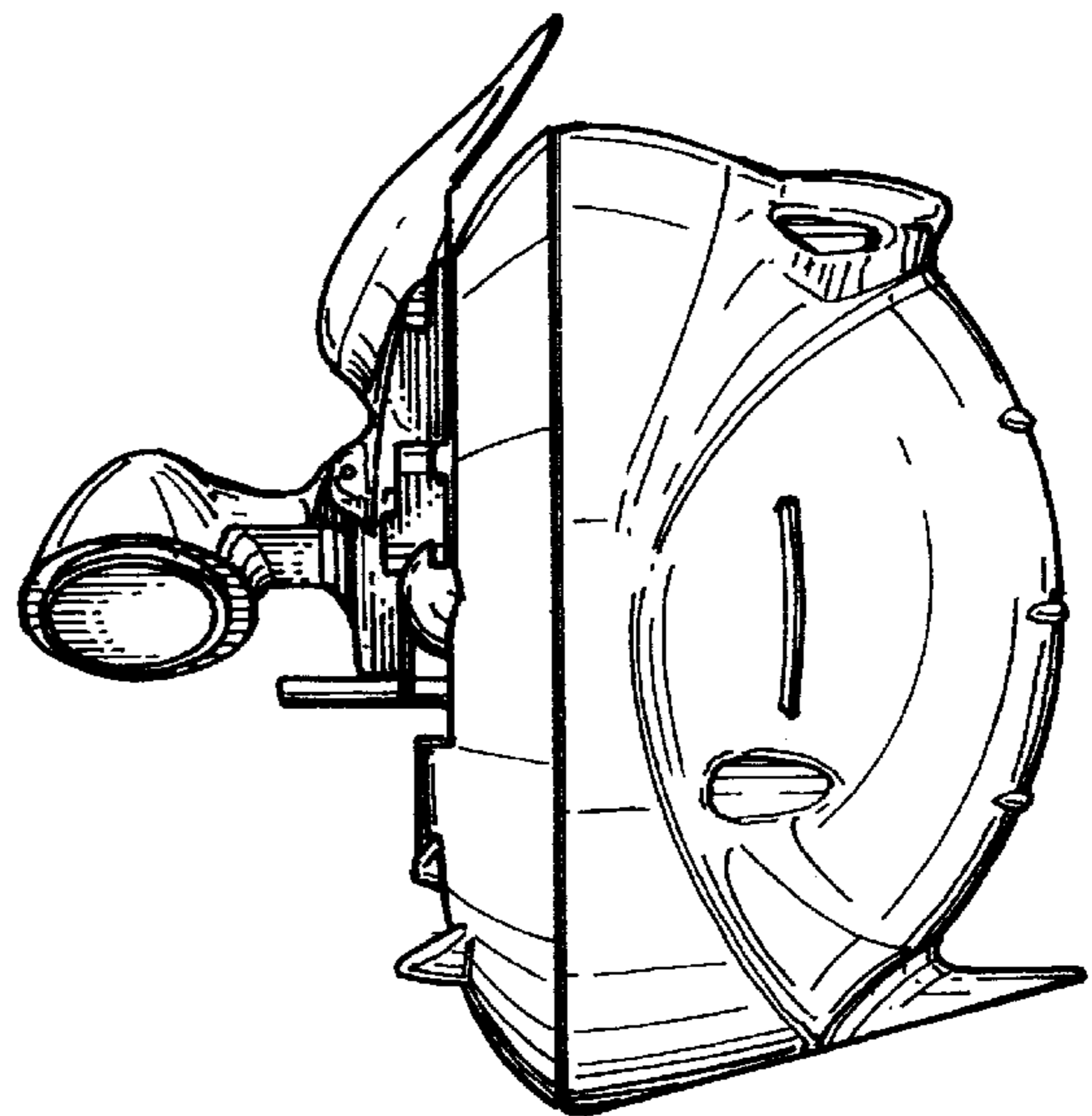
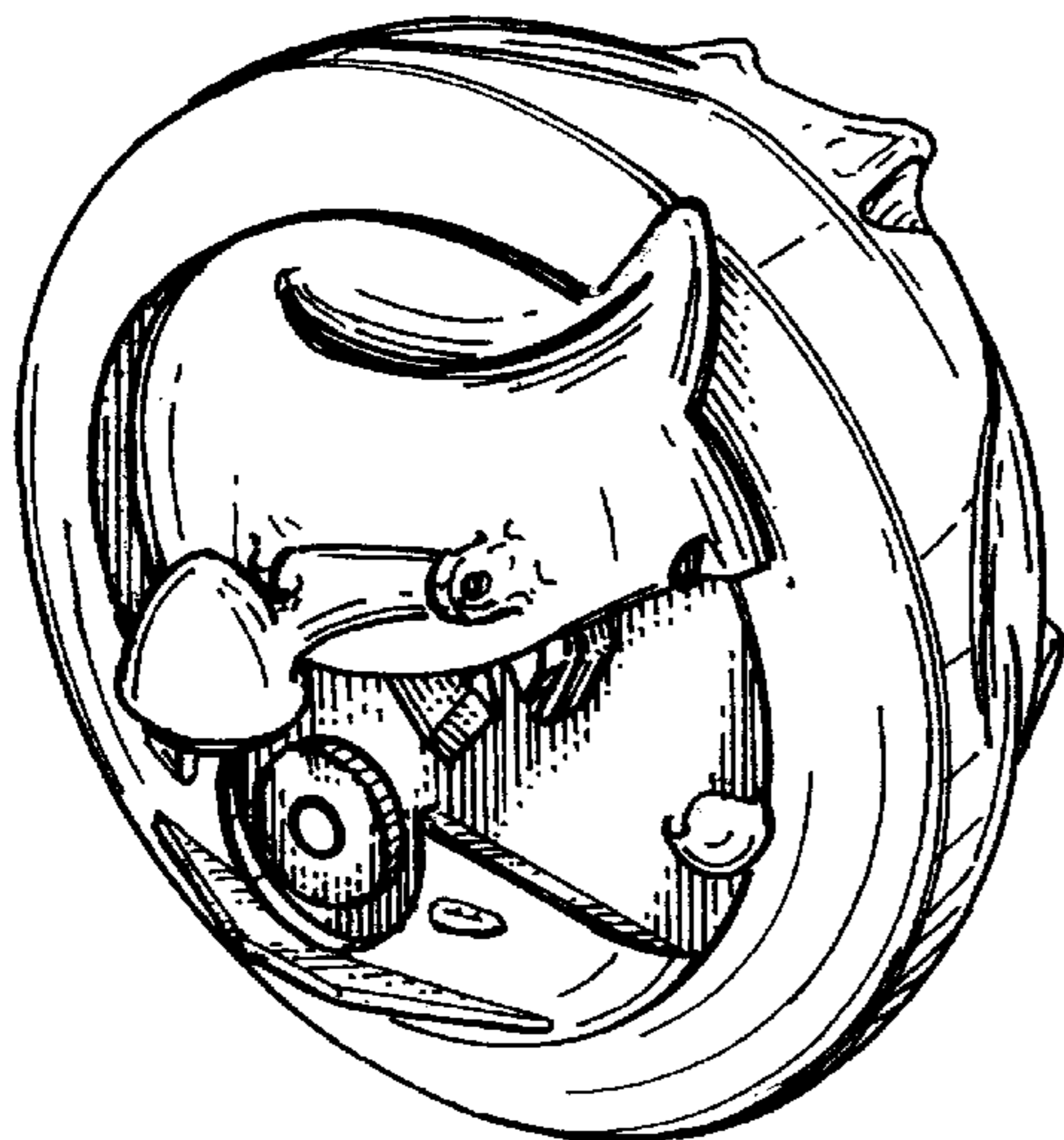
FIG. 4 is a front elevational view thereof;

FIG. 5 is a rear elevational view thereof;

FIG. 6 is a top plan view thereof; and,

FIG. 7 is a bottom plan view thereof.

1 Claim, 3 Drawing Sheets



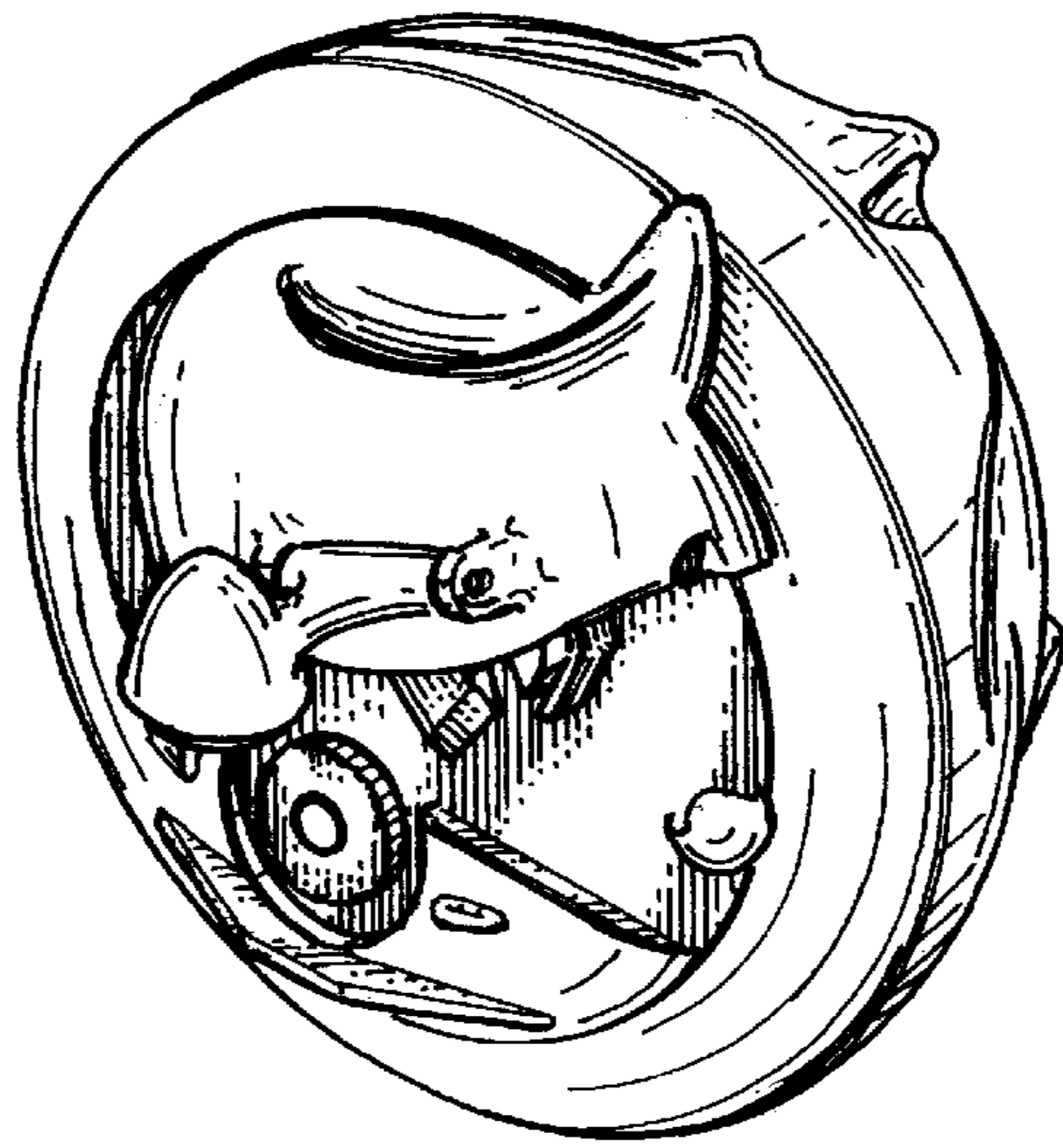


FIG. 1

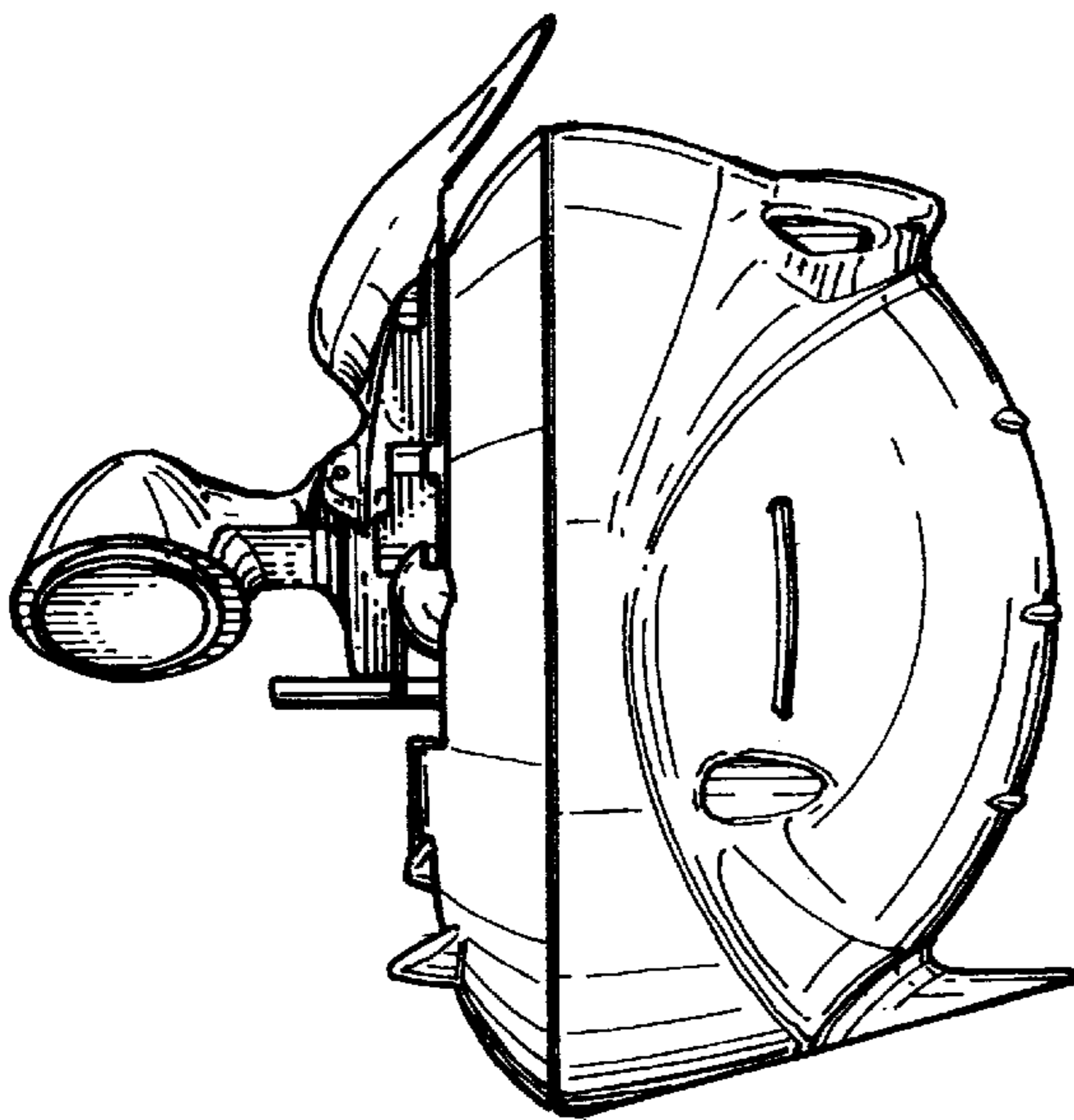


FIG. 2

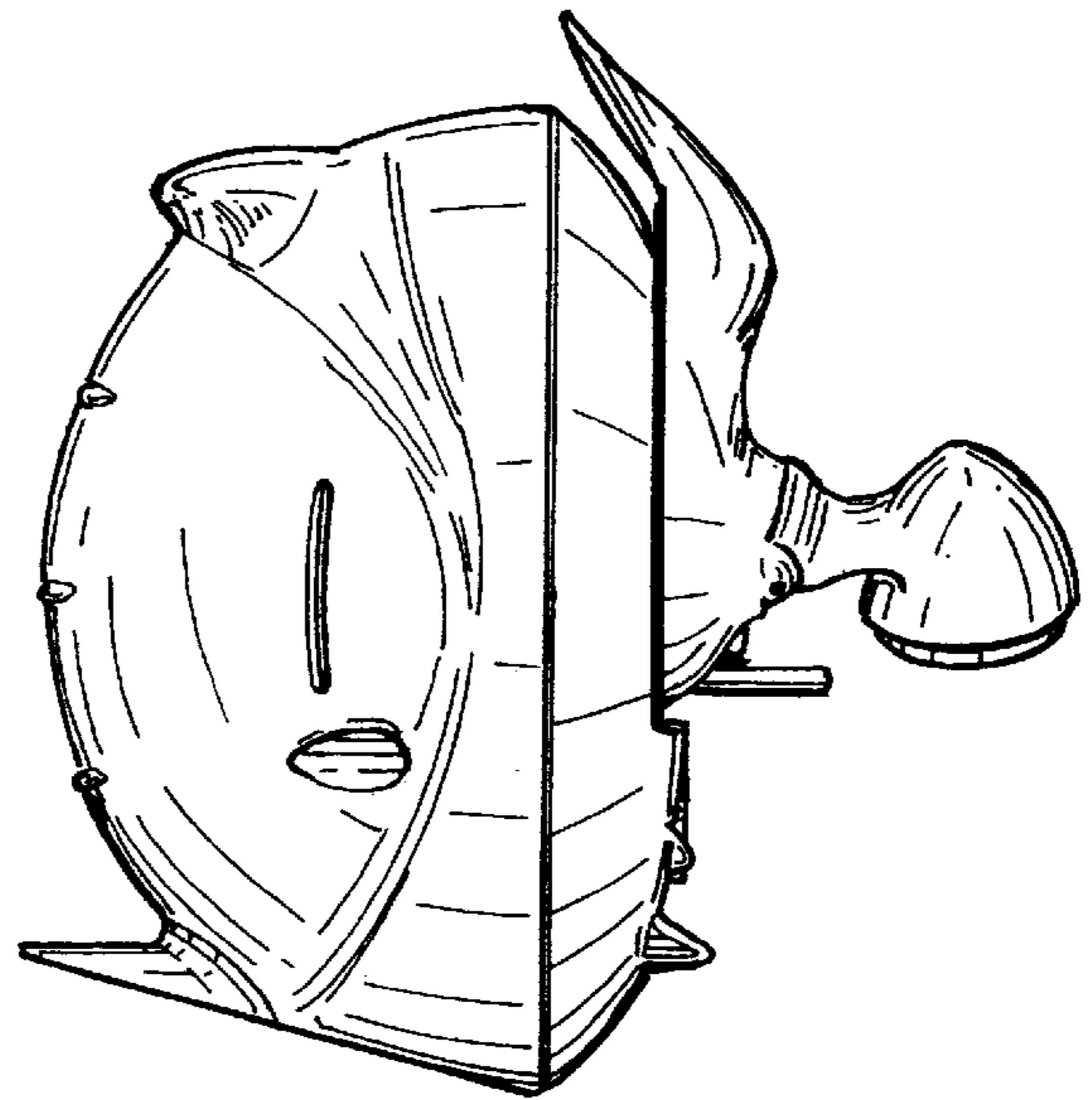


FIG. 3

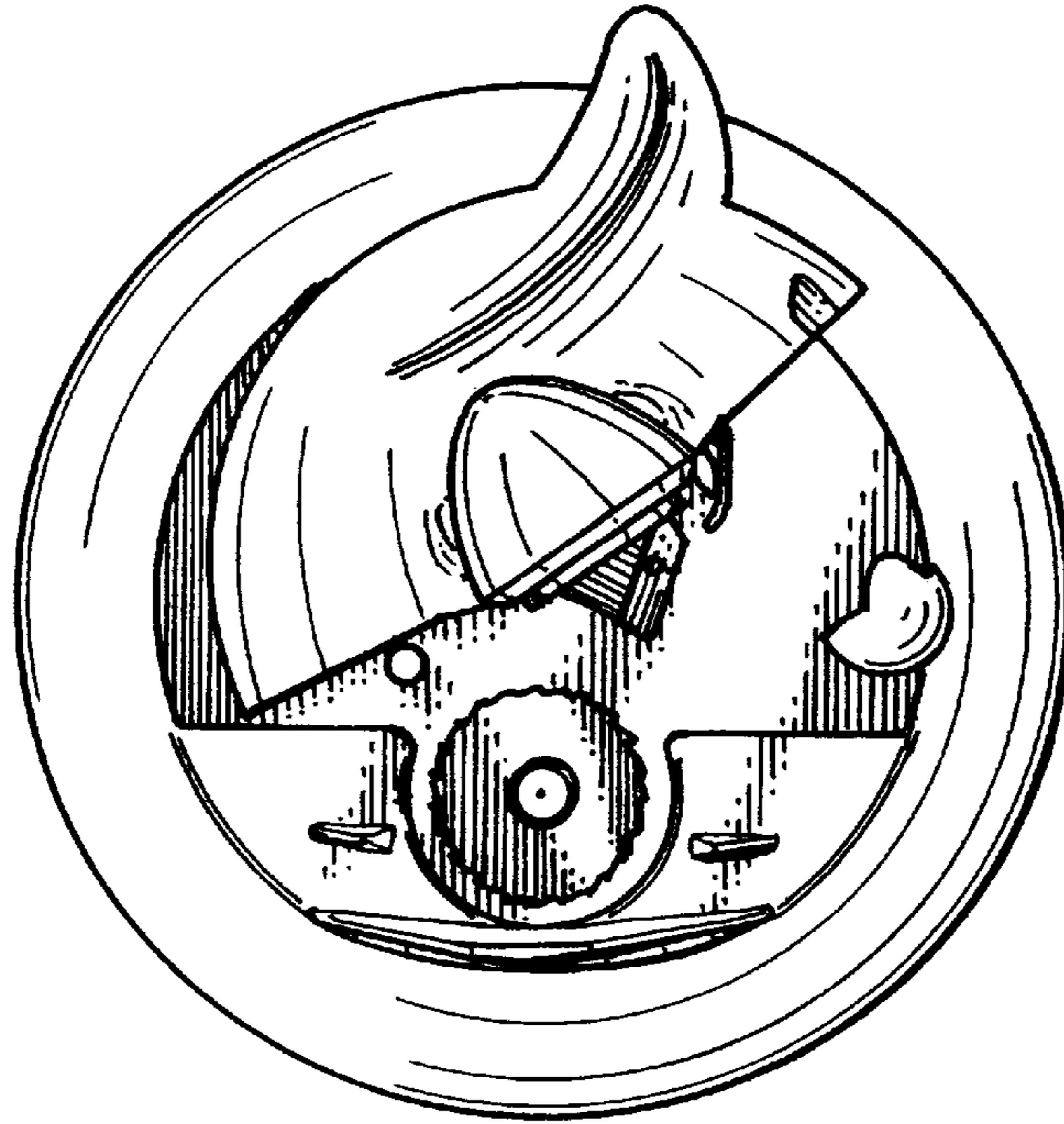


FIG. 4

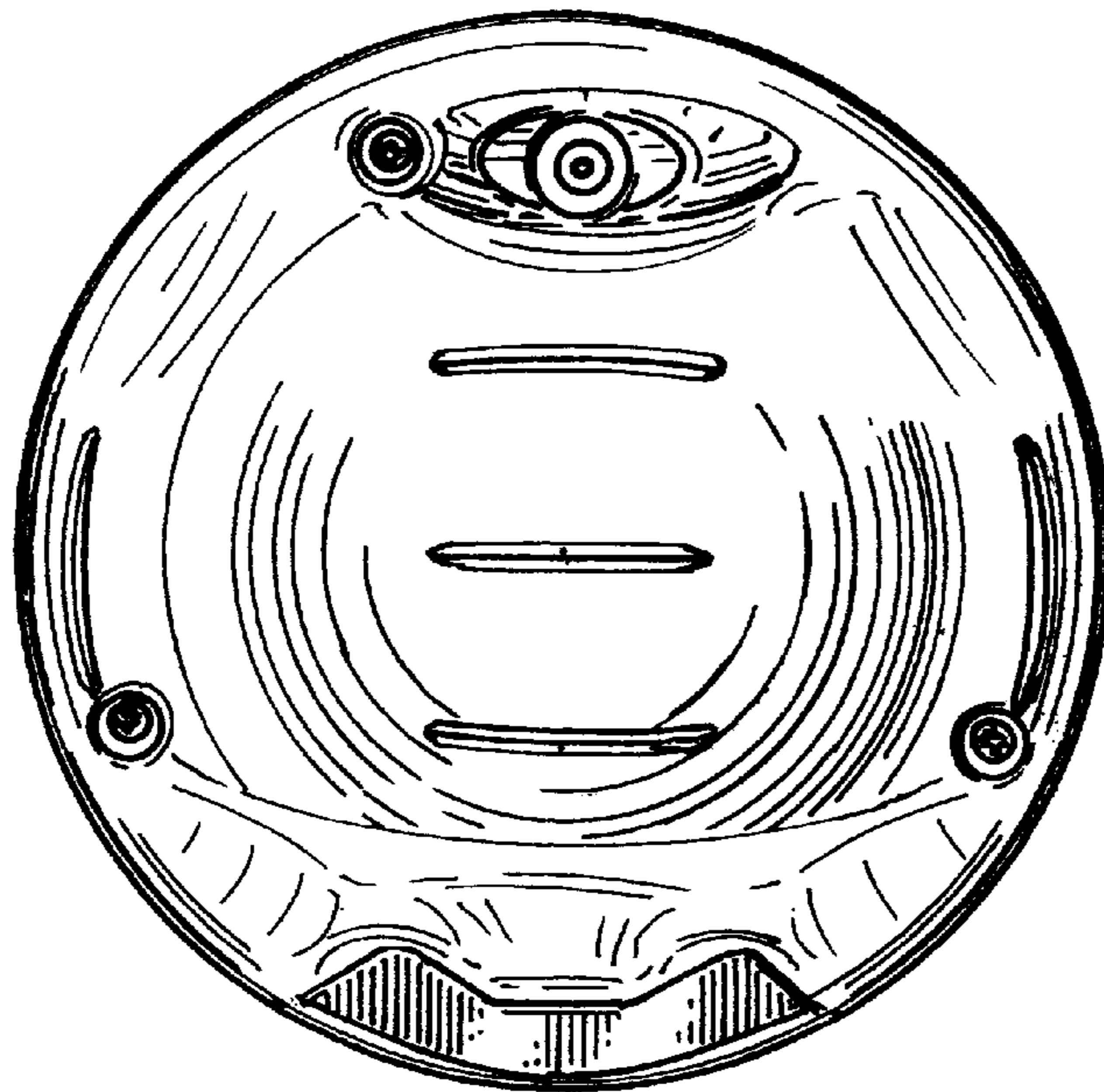


FIG. 5

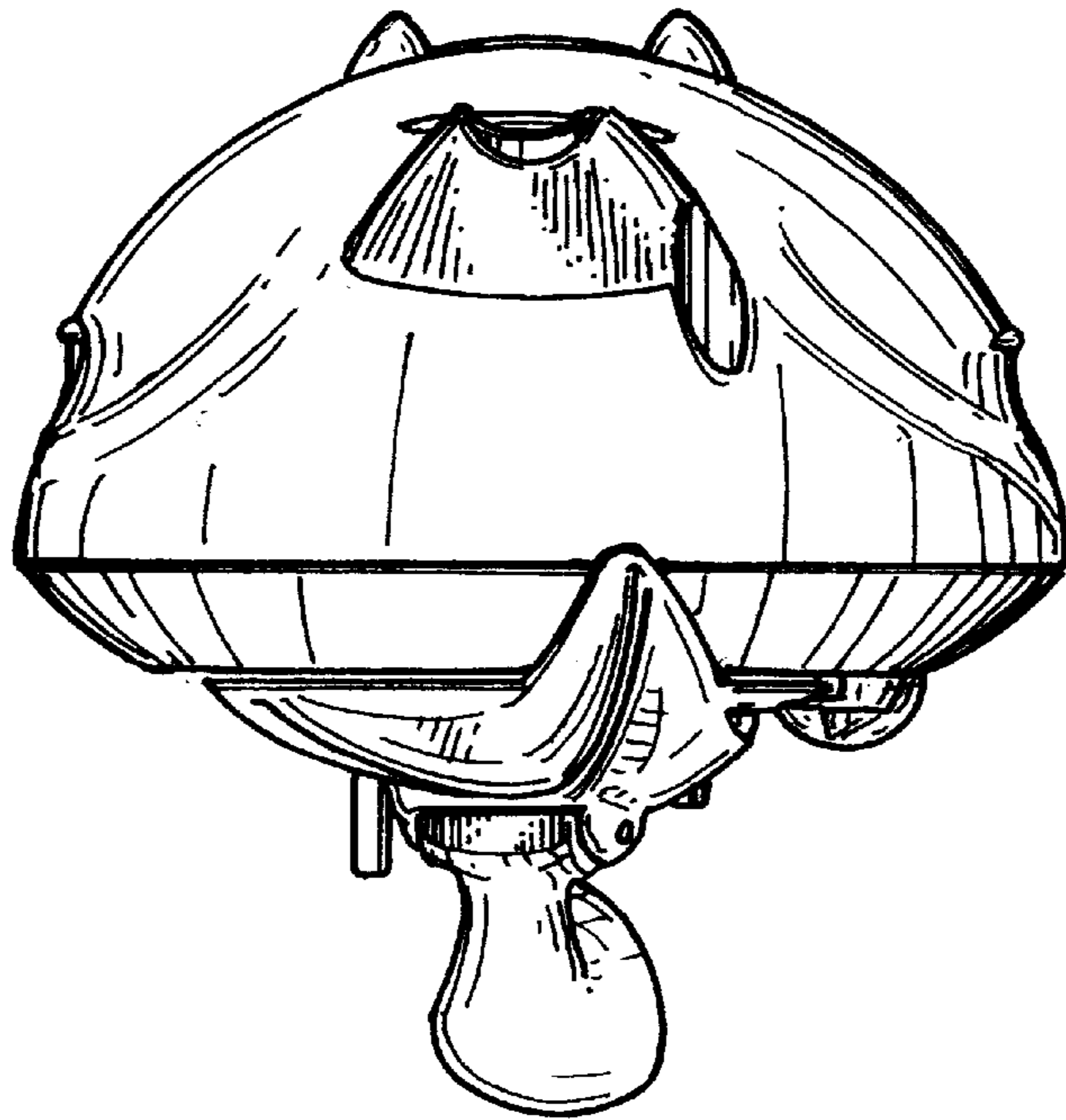


FIG. 6

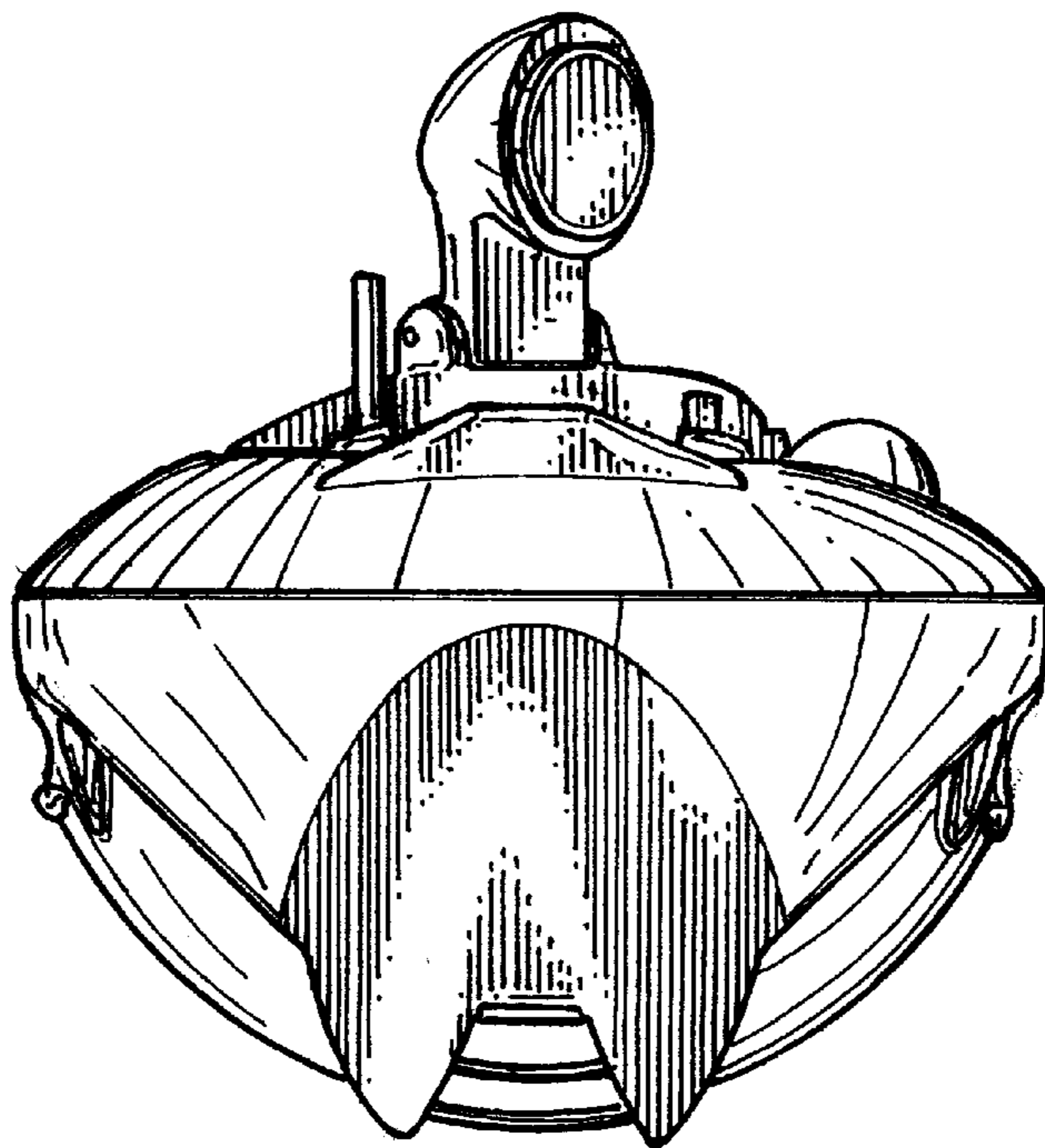


FIG. 7