



US00D444684S

(12) **United States Design Patent**  
**Kimura**

(10) **Patent No.:** **US D444,684 S**

(45) **Date of Patent:** **\*\* Jul. 10, 2001**

(54) **TREE BRANCH CUTTING SAW**

5,694,695 \* 12/1997 Lund ..... 30/296.1

(75) Inventor: **Masaru Kimura**, Osaka (JP)

\* cited by examiner

(73) Assignee: **Senshin Kogyo Kabushiki Kasha**,  
Osaka (JP)

*Primary Examiner*—Philip S. Hyder

(74) *Attorney, Agent, or Firm*—Vedder Price Kaufman &  
Kammholz

(\*\*) Term: **14 Years**

(57) **CLAIM**

(21) Appl. No.: **29/131,353**

The ornamental design for a tree branch cutting saw, as shown.

(22) Filed: **Oct. 20, 2000**

**DESCRIPTION**

(51) **LOC (7) Cl.** ..... **08-03**

(52) **U.S. Cl.** ..... **D8/9; D8/95**

(58) **Field of Search** ..... D8/9, 6, 7, 95,  
D8/98; 30/296.1, 166.3, 514, 517, 249

FIG. 1 is a front view of a tree branch cutting saw embodying my new design;

FIG. 2 is a rear view of the said tree branch cutting saw;

FIG. 3 is a top plan view of the said branch cutting saw;

FIG. 4 is a bottom view of the said tree branch cutting saw;

FIG. 5 is a left side view of the said tree branch cutting saw;

FIG. 6 is a right side view of the said tree branch cutting saw;

FIG. 7 is an enlarged left side view of the said tree branch cutting saw; and,

FIG. 8 is an enlarged right side view of the said tree branch cutting saw.

(56) **References Cited**

**U.S. PATENT DOCUMENTS**

- D. 392,164 \* 3/1998 Bomgaars, Jr. .... D8/9
- 1,771,664 \* 7/1930 Swick ..... 30/166.3
- 3,835,535 \* 9/1974 Robison et al. .... 30/249
- 4,716,653 \* 1/1988 Skyba ..... 30/296.1
- 5,634,276 \* 6/1997 Lin ..... 30/249

**1 Claim, 2 Drawing Sheets**

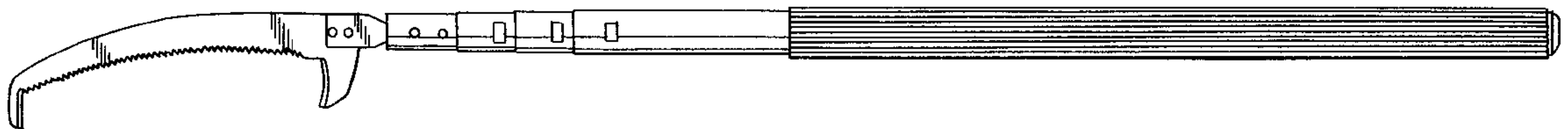


FIG.1

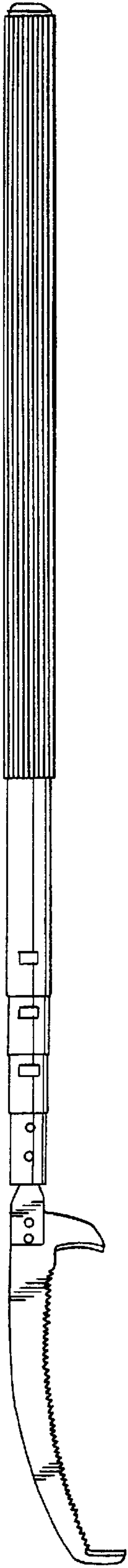


FIG.2

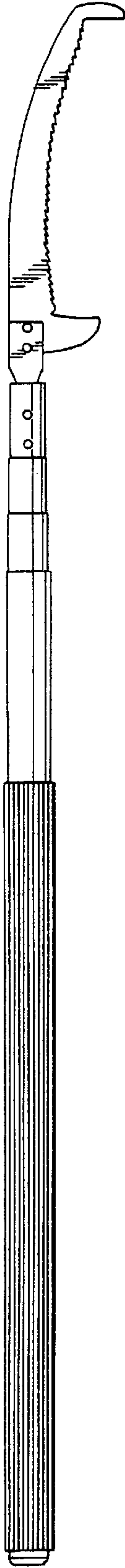


FIG.3



FIG.4



FIG. 8

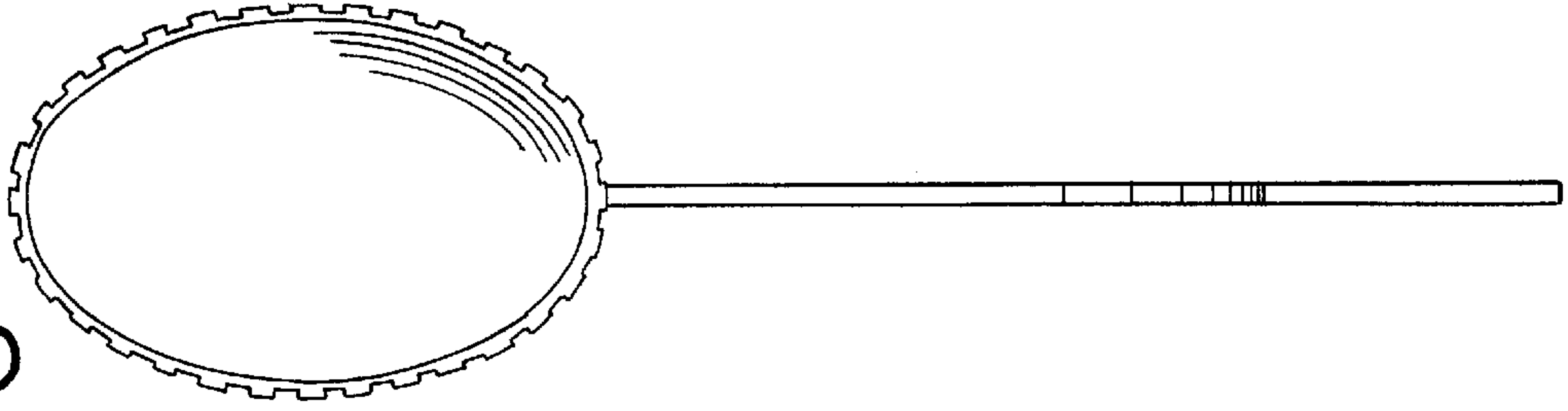


FIG. 7

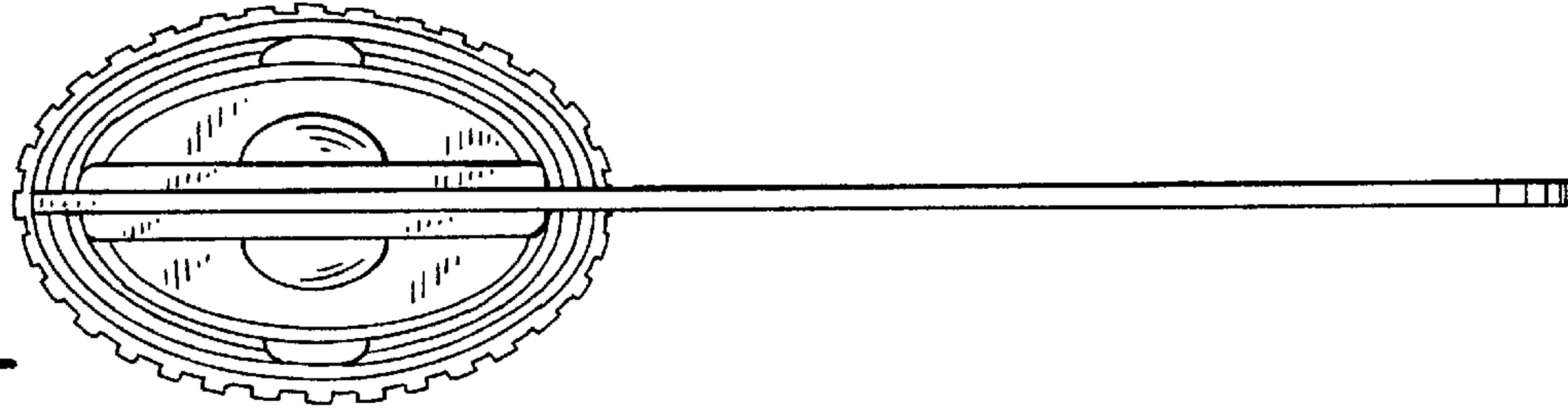


FIG. 5



FIG. 6



UNITED STATES PATENT AND TRADEMARK OFFICE  
**CERTIFICATE OF CORRECTION**

PATENT NO. : Des 444,684 S  
DATED : July 10, 2001  
INVENTOR(S) : Masaru Kimura

Page 1 of 1

It is certified that error appears in the above-identified patent and that said Letters Patent is hereby corrected as shown below:


Title page,

Item [73], Assignee: -- **Senshin Kogyo Kabushiki Kaisha, Osaka (JP)** --

Signed and Sealed this

Thirteenth Day of August, 2002

*Attest:*

A handwritten signature in black ink, appearing to read "James E. Rogan", written over a horizontal line.

*Attesting Officer*

JAMES E. ROGAN  
*Director of the United States Patent and Trademark Office*