



US00D444683S

(12) **United States Design Patent**
Corrion

(10) **Patent No.:** **US D444,683 S**

(45) **Date of Patent:** **** Jul. 10, 2001**

(54) **CUP HOLDER**

(75) Inventor: **Robert Corrion**, Kalamazoo, MI (US)

(73) Assignee: **Corrion Enterprises, L.L.C.**,
Kalamazoo, MI (US)

(**) Term: **14 Years**

(21) Appl. No.: **29/127,419**

(22) Filed: **Aug. 4, 2000**

(51) **LOC (7) Cl.** **07-06**

(52) **U.S. Cl.** **D7/701; D12/420**

(58) **Field of Search** D7/619-625, 701,
D7/707, 708; D12/411, 419, 420; 248/309.1,
311.2; 211/74, 75; 224/553, 556, 544, 564,
926

(56) **References Cited**

U.S. PATENT DOCUMENTS

- D. 318,176 * 7/1991 Forrestal D12/420
- D. 353,082 * 12/1994 Keven D7/701
- D. 397,278 * 8/1998 Wang D7/701

- 4,779,831 10/1988 Anderson .
- 5,165,646 11/1992 Gewecke .
- 5,170,980 * 12/1992 Burrows et al. 248/311.2
- 5,282,598 2/1994 Greene .
- 5,489,055 2/1996 Levy .

* cited by examiner

Primary Examiner—Terry A. Wallace

(74) *Attorney, Agent, or Firm*—Flynn, Thiel, Boutell & Tanis, P.C.

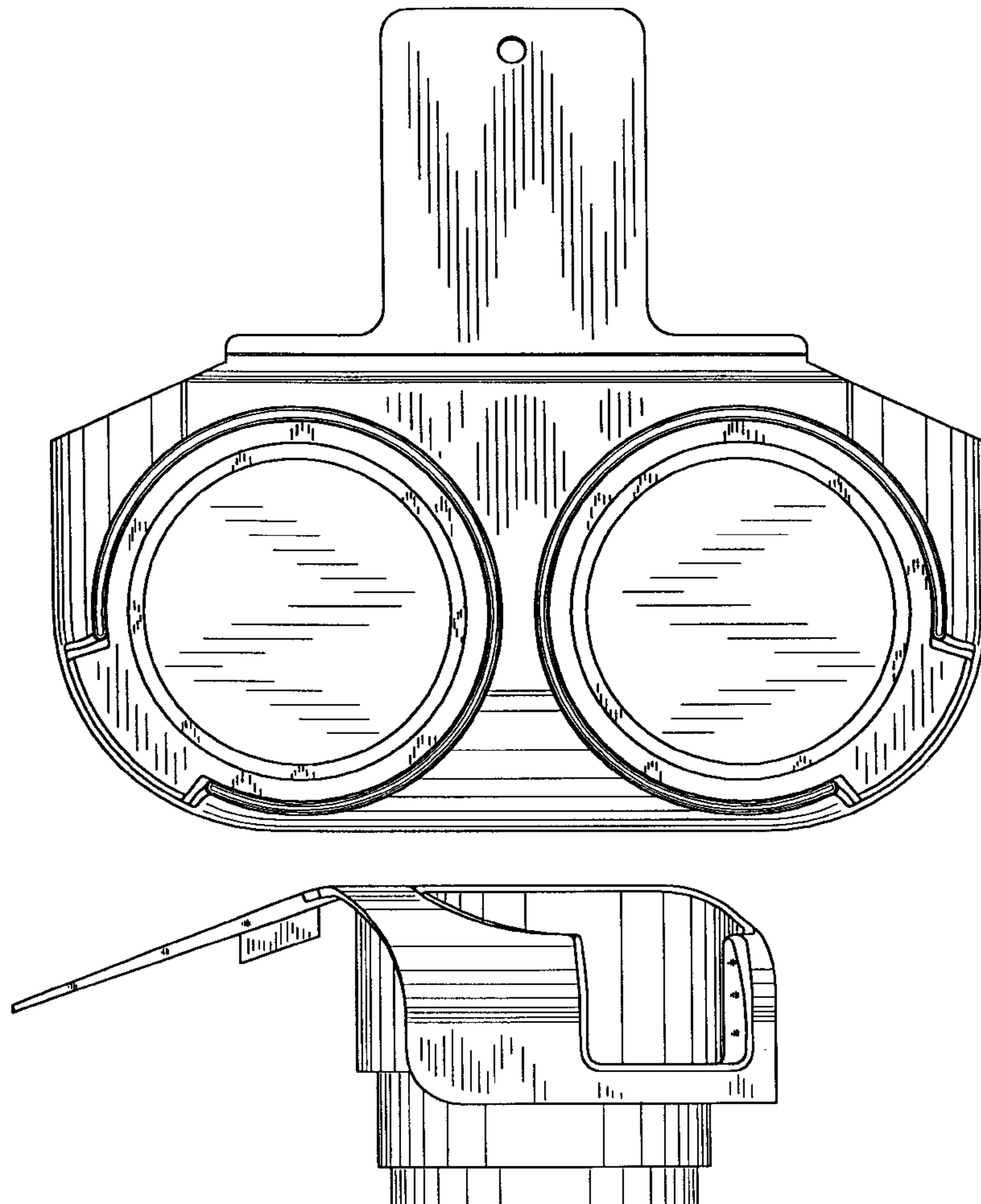
(57) **CLAIM**

The ornamental design of a cup holder, as shown and described.

DESCRIPTION

FIG. 1 is a top view of a cup holder embodying my new design;
 FIG. 2 is a front view thereof;
 FIG. 3 is a rear view thereof;
 FIG. 4 is a left side view thereof, the right side view being a mirror image thereof; and,
 FIG. 5 is a bottom view thereof.

1 Claim, 3 Drawing Sheets



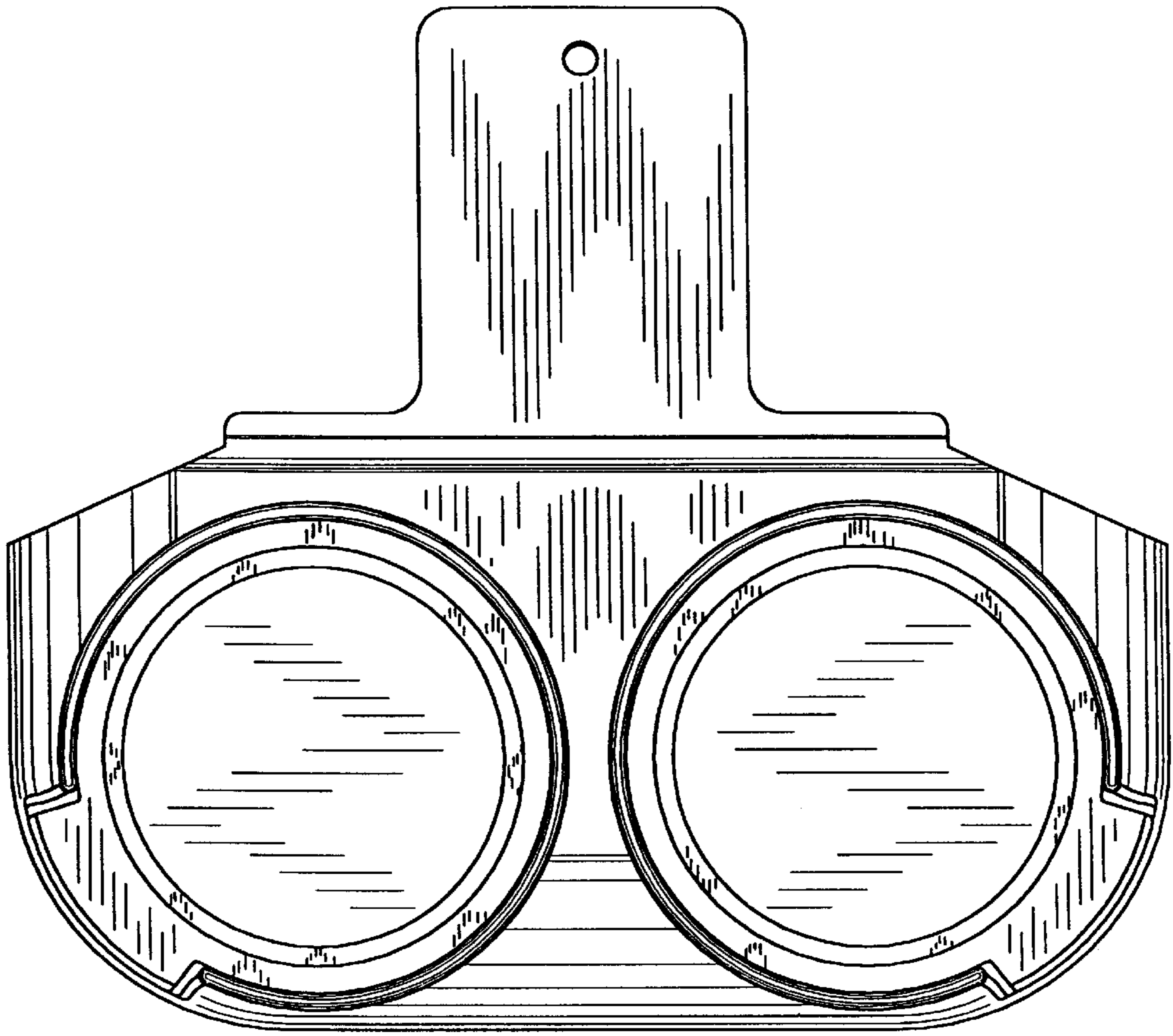


FIG. 1

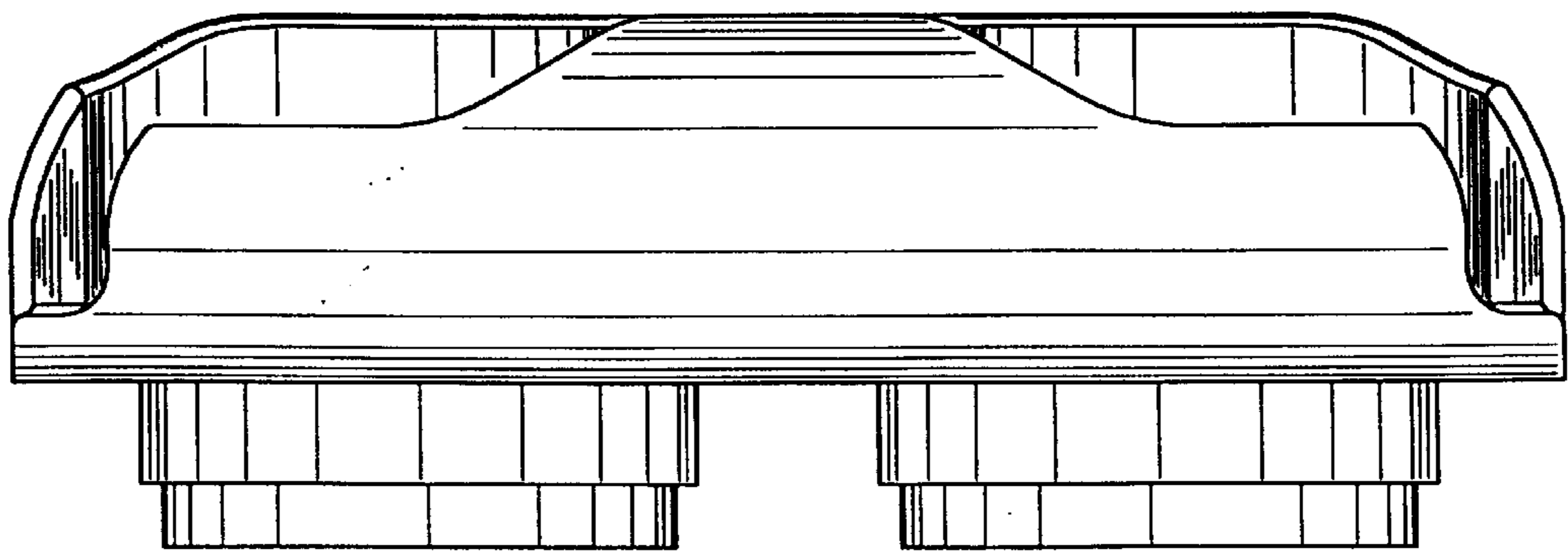


FIG. 2

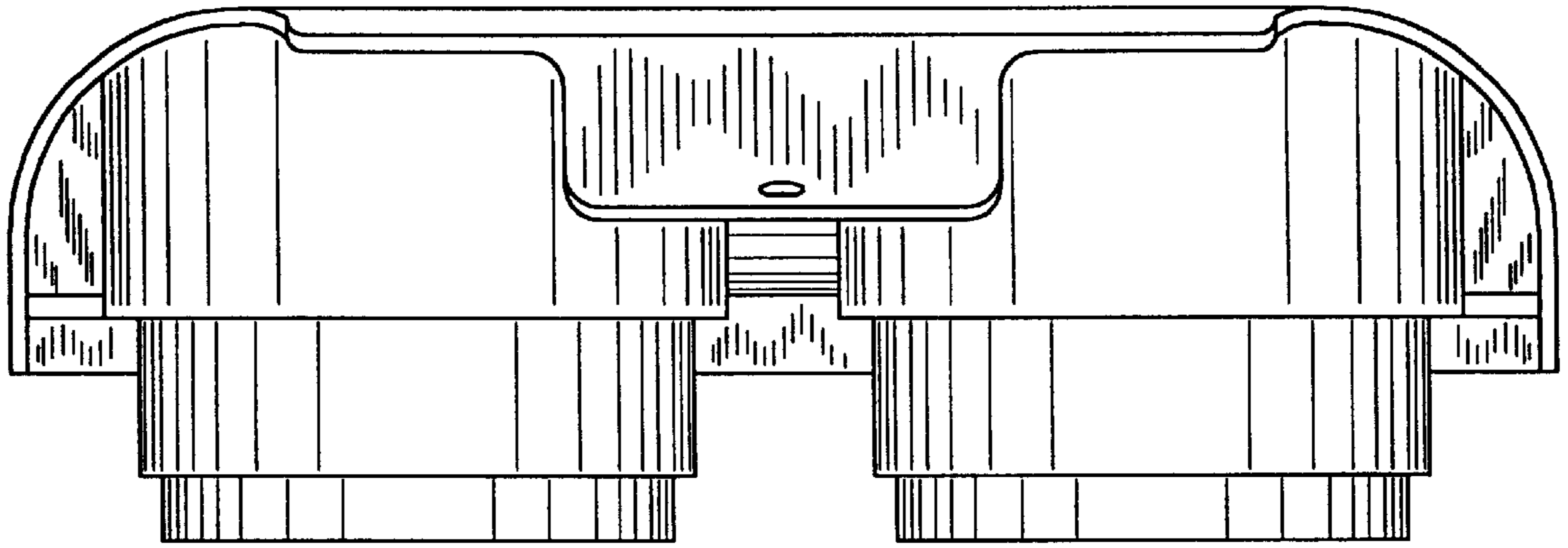


FIG. 3

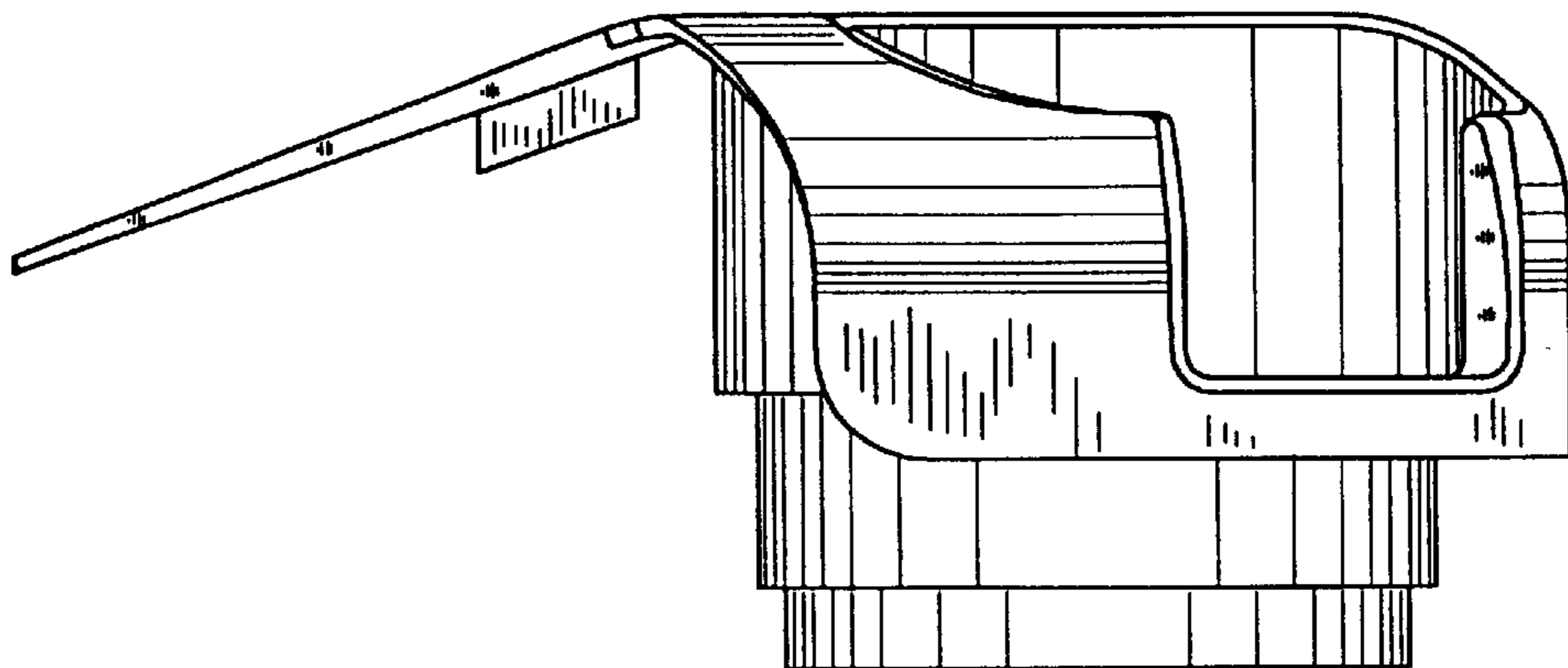


FIG. 4

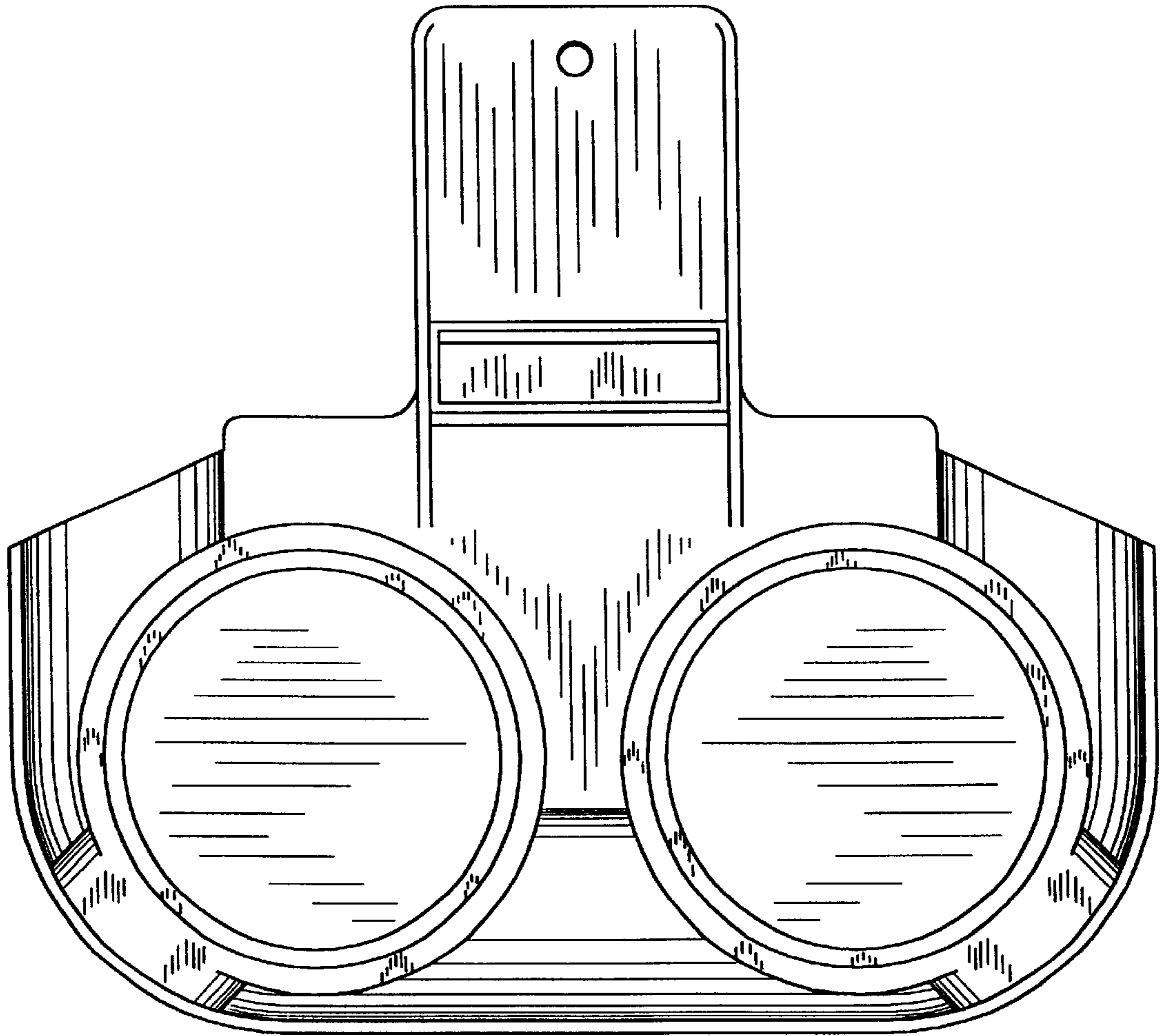


FIG. 5