



US00D444676S

(12) **United States Design Patent**  
**Murphy**

(10) **Patent No.:** **US D444,676 S**

(45) **Date of Patent:** **\*\* Jul. 10, 2001**

(54) **MULTI-USE DISH**

5,960,982 \* 10/1999 Perlis et al. .... 206/550

(76) Inventor: **Richard Murphy**, P.O. Box 70265,  
Reno, NV (US) 89570

\* cited by examiner

(\*\*) Term: **14 Years**

*Primary Examiner*—Antoine Duval Davis  
(74) *Attorney, Agent, or Firm*—Brian C. Kelly

(21) Appl. No.: **29/121,795**

(57) **CLAIM**

(22) Filed: **Apr. 13, 2000**

The ornamental design for a multi-use dish, as shown and described.

(51) **LOC (7) Cl.** ..... **07-01**

**DESCRIPTION**

(52) **U.S. Cl.** ..... **D7/553.6**

FIG. 1: A perspective view of the multi-use dish.

(58) **Field of Search** ..... D7/550.1, 553.1,

FIG. 2: A side view of the multi-use dish.

D7/553.6, 553.7, 554.2, 566, 586, 587;

FIG. 3: A bottom view of the multi-use dish.

206/558–567; 220/574, 575

FIG. 4: A perspective view of the multi-use dish separated.

(56) **References Cited**

FIG. 5: A top view of the multi-use dish separated.

**U.S. PATENT DOCUMENTS**

FIG. 6: A bottom view of the dish.

D. 130,080 \* 10/1941 Wynkoop ..... D7/550.1

FIG. 7: A top view of the dish.

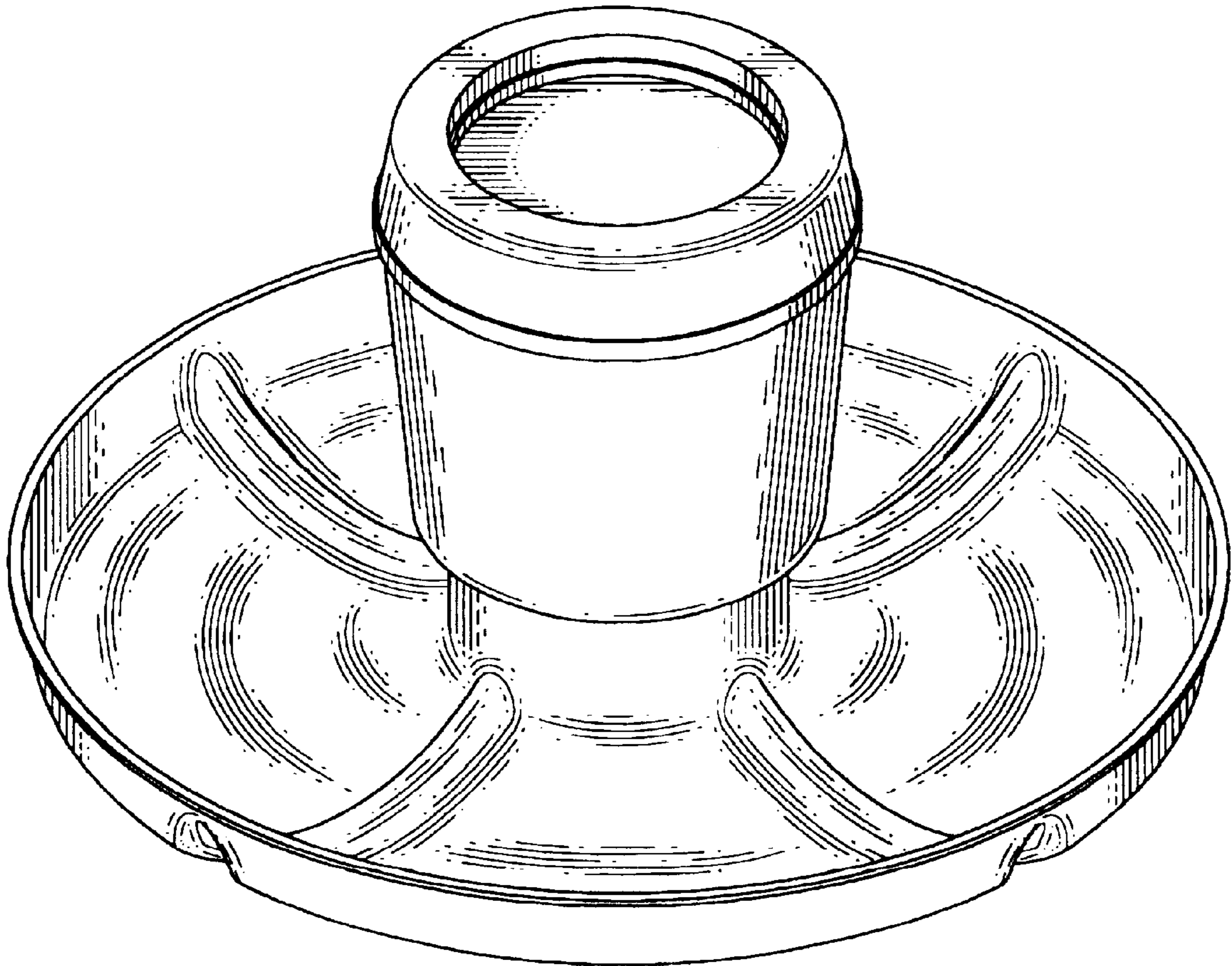
D. 304,658 \* 11/1989 Mattel ..... D7/553.6

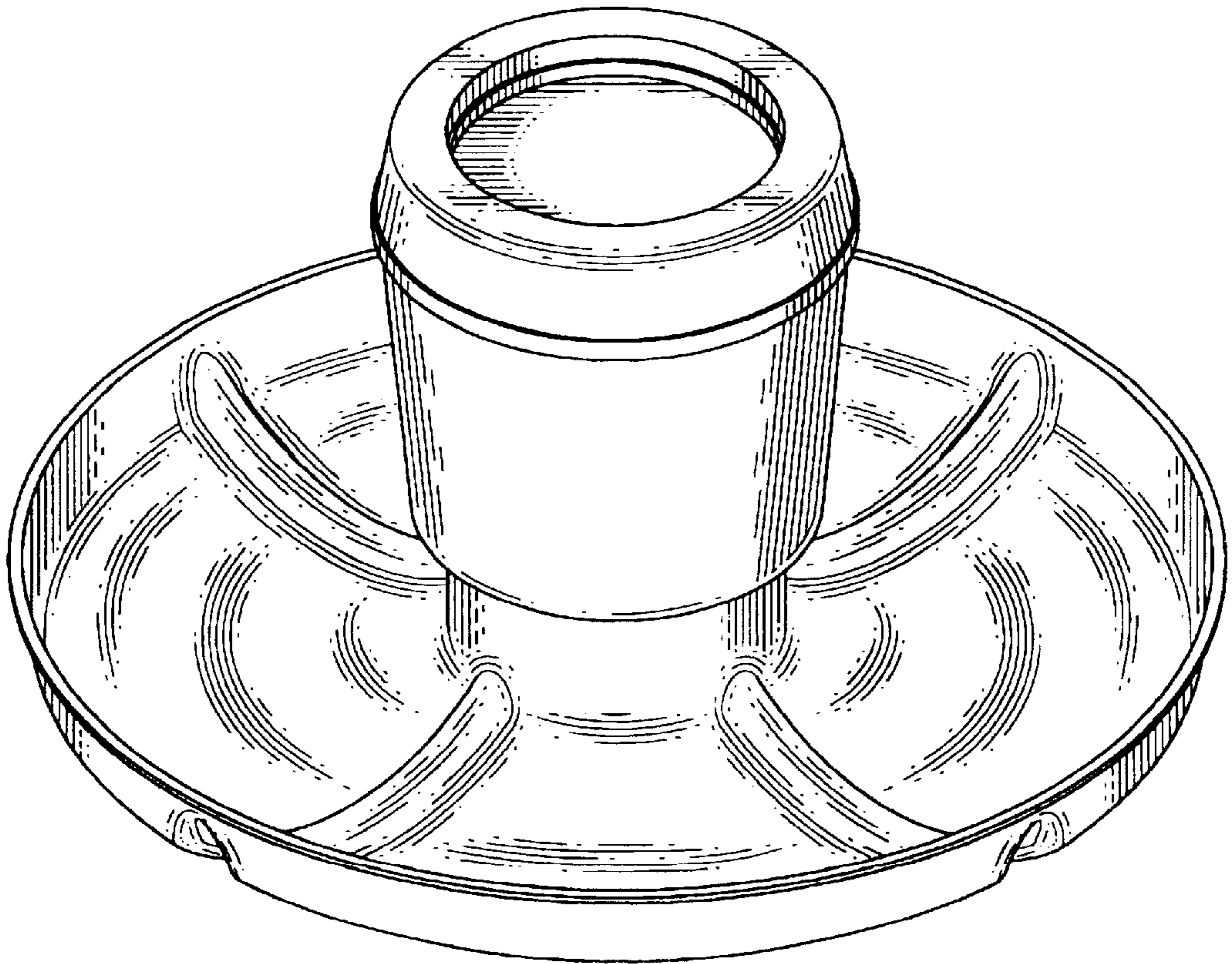
FIG. 8: A perspective view of the dish; and,

2,813,509 \* 11/1957 Bruno ..... D7/550.1

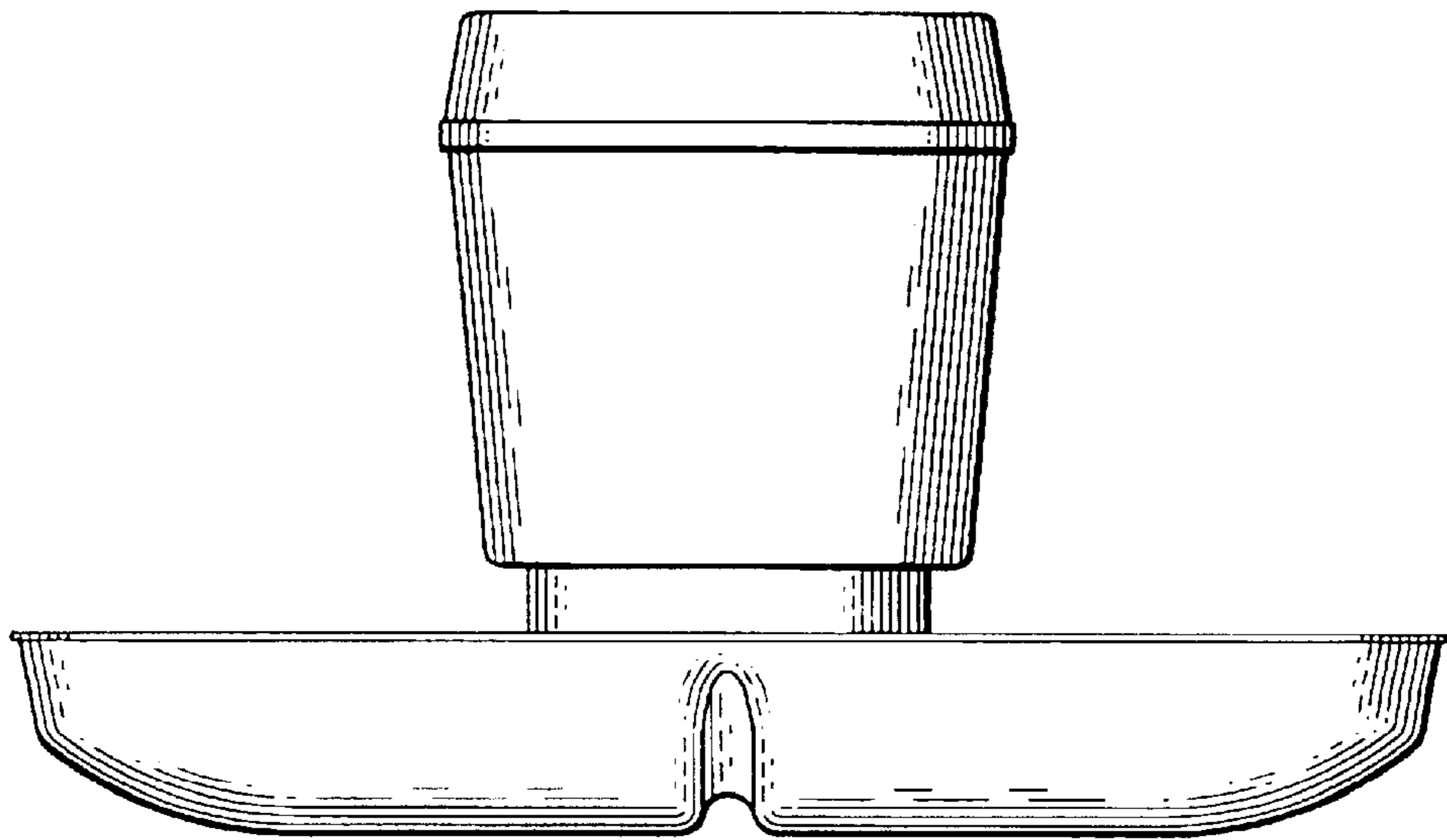
FIG. 9: A side view of the dish.

**1 Claim, 5 Drawing Sheets**



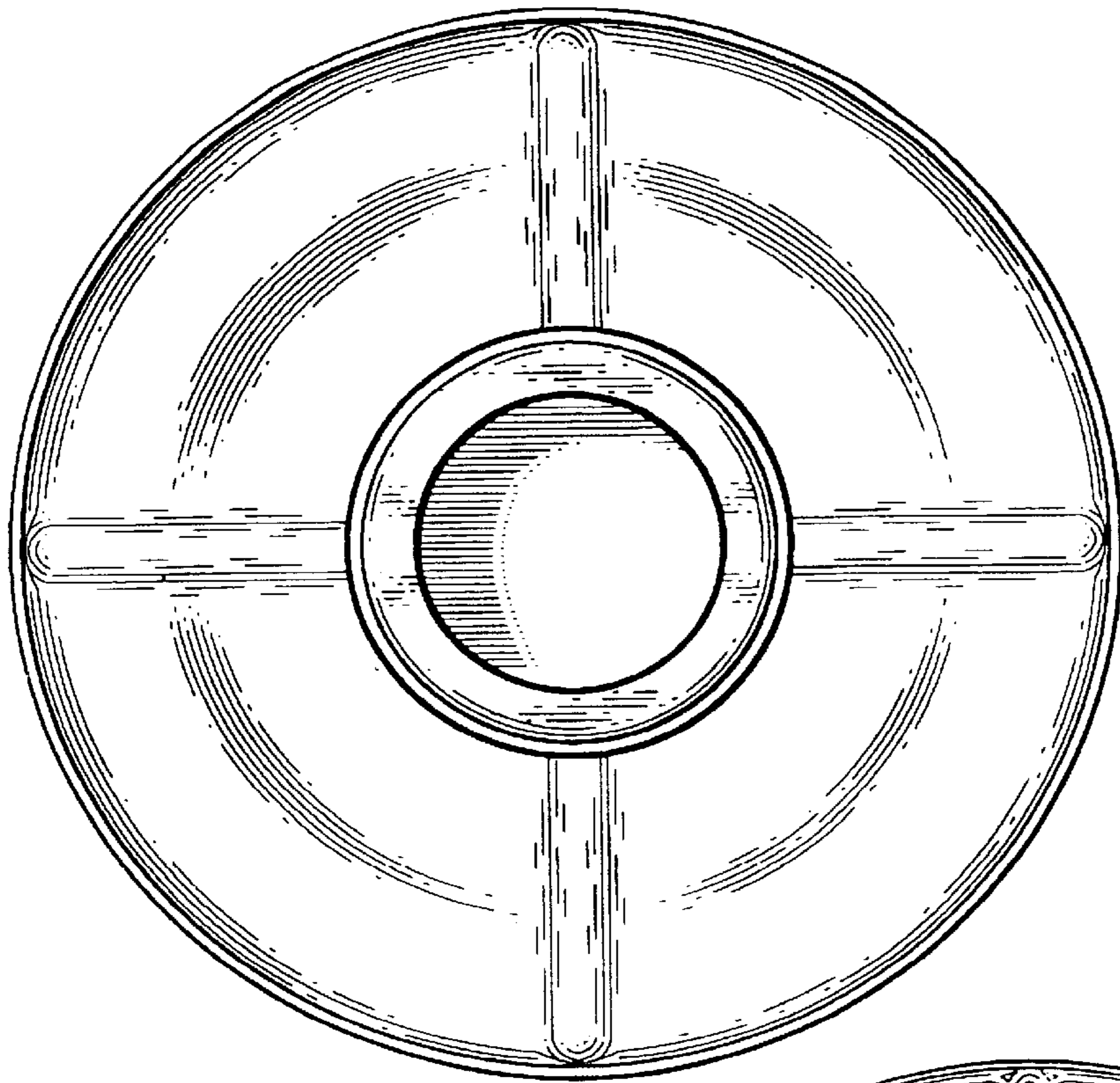


*Fig. 1*

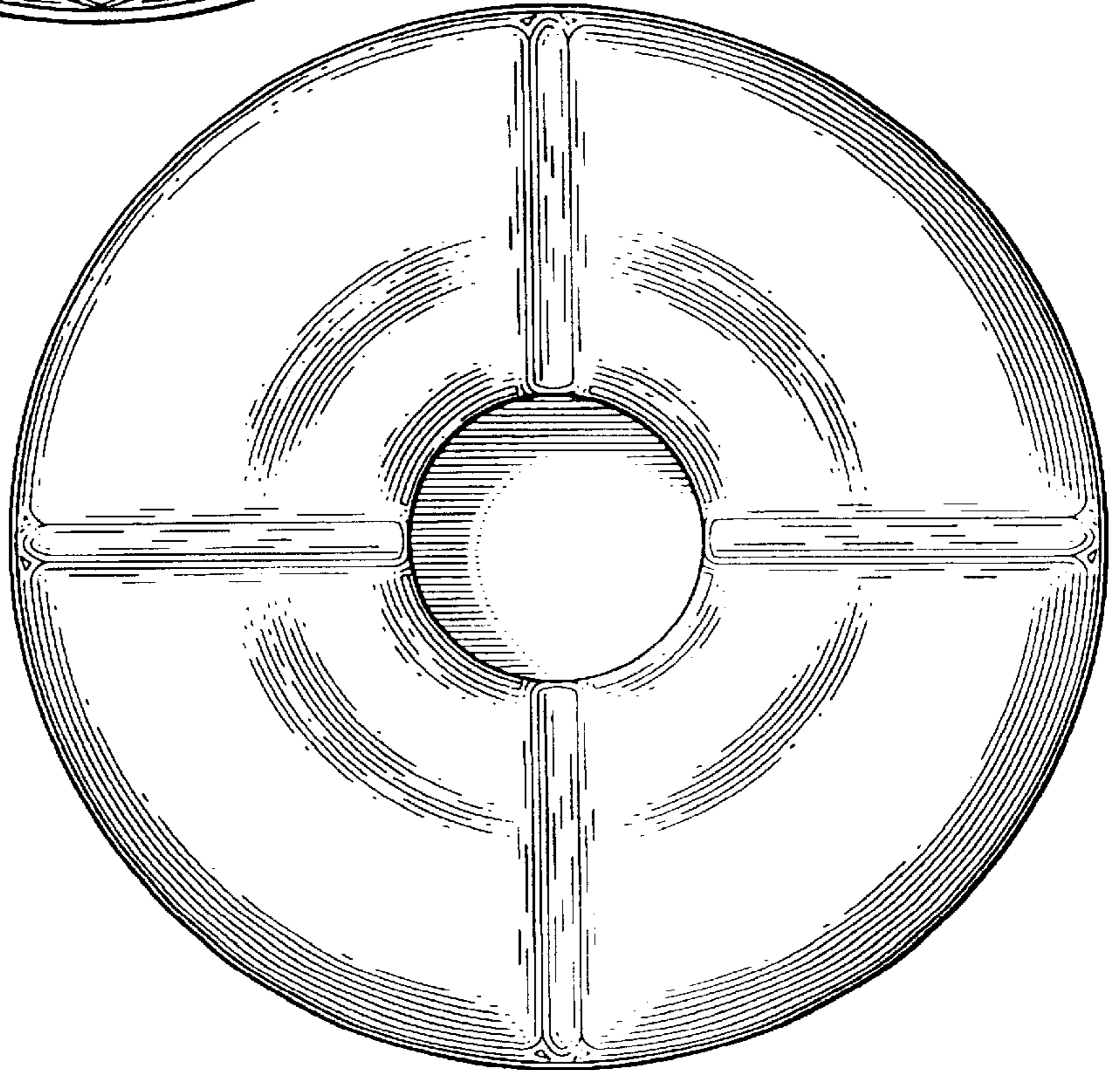


*Fig. 2*

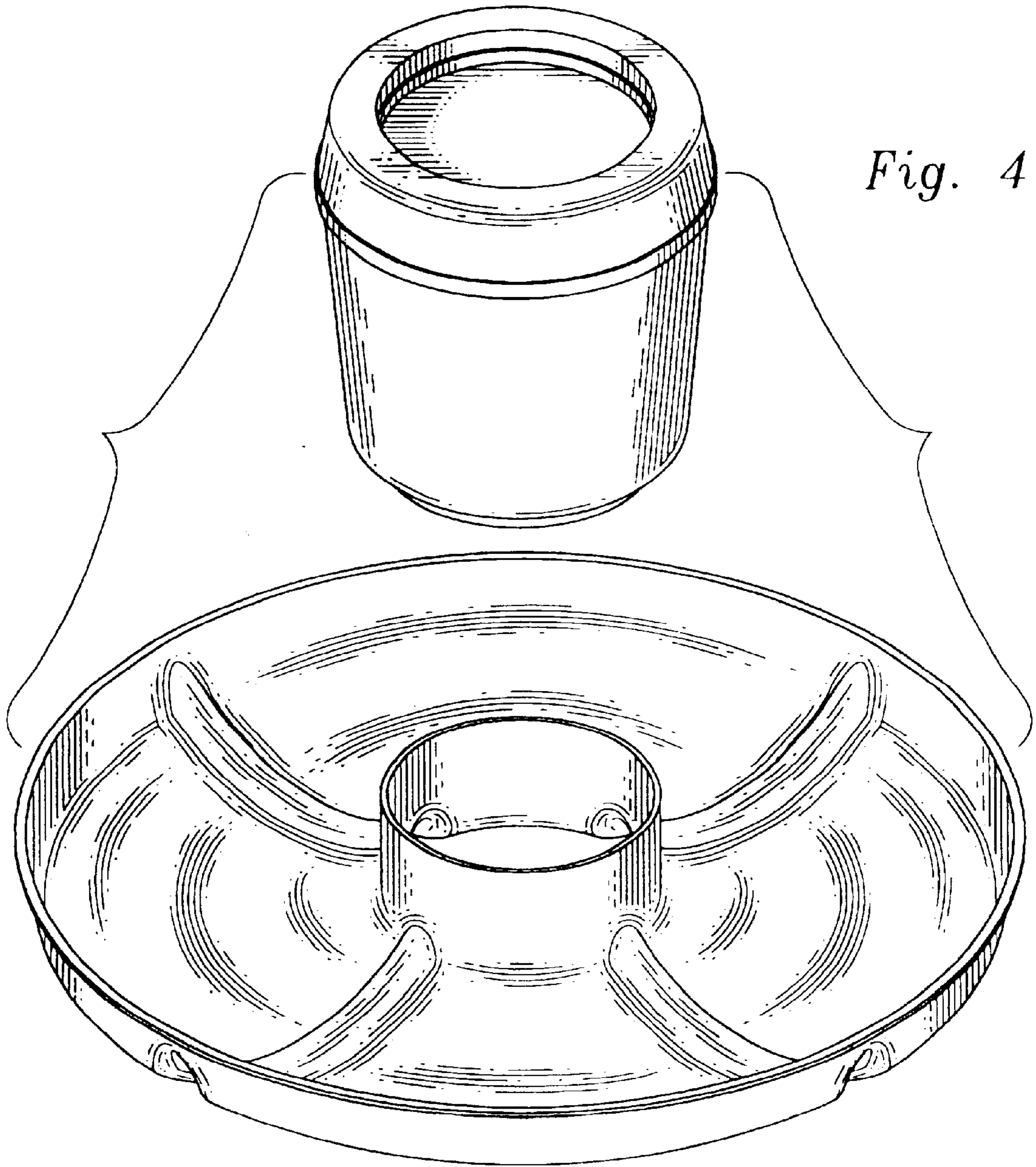




*Fig. 5*

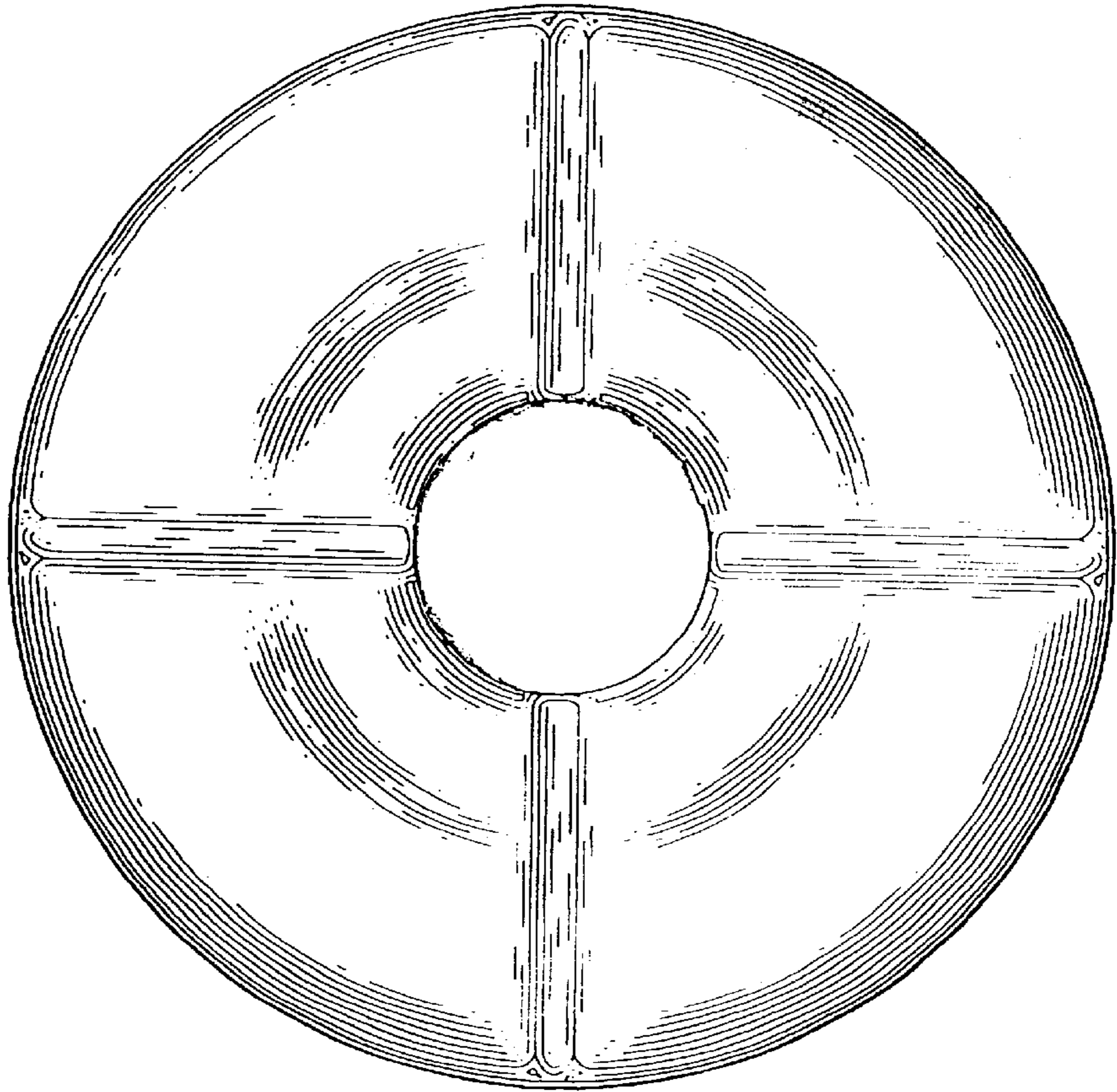


*Fig. 3*

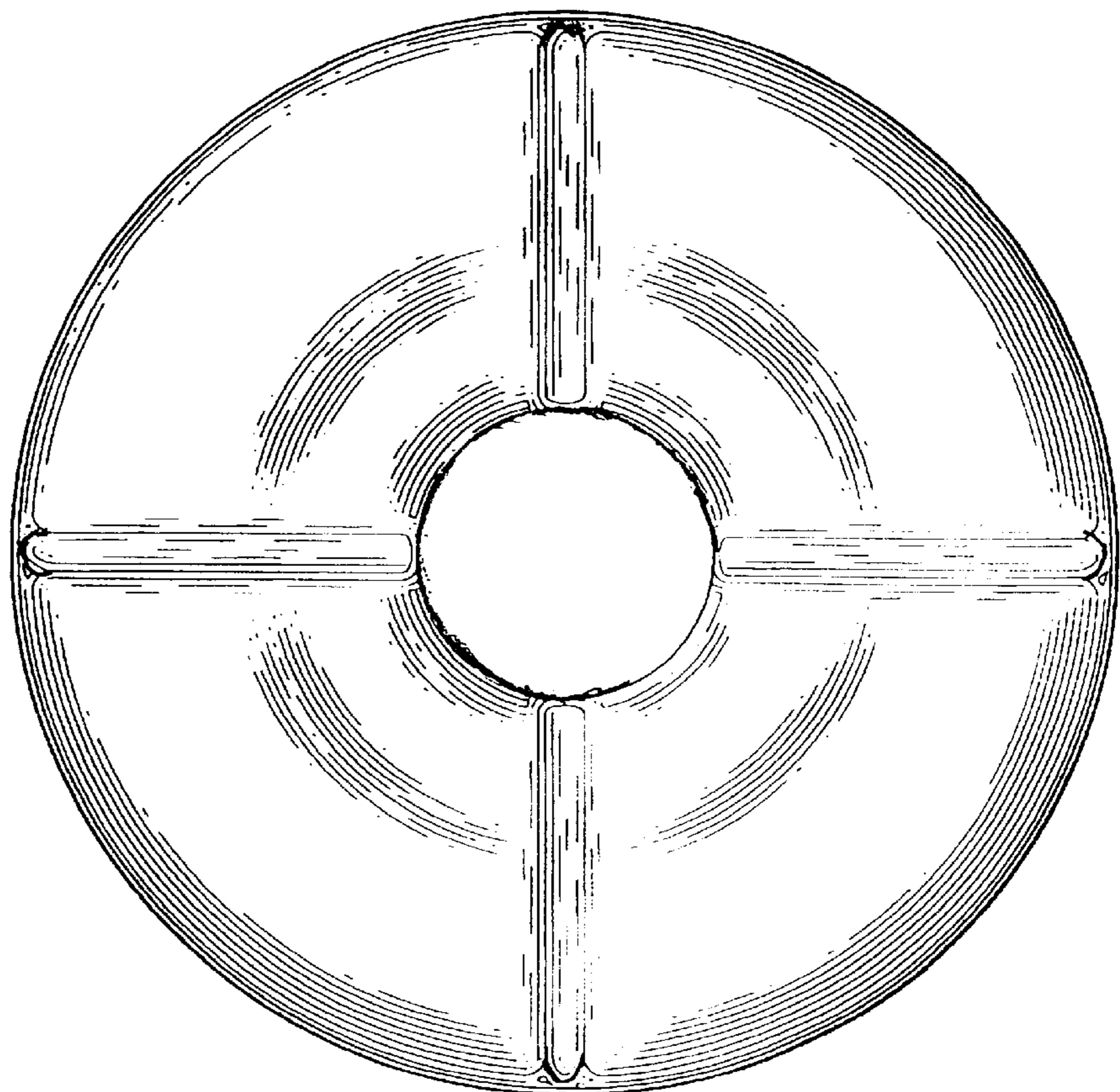


*Fig. 4*

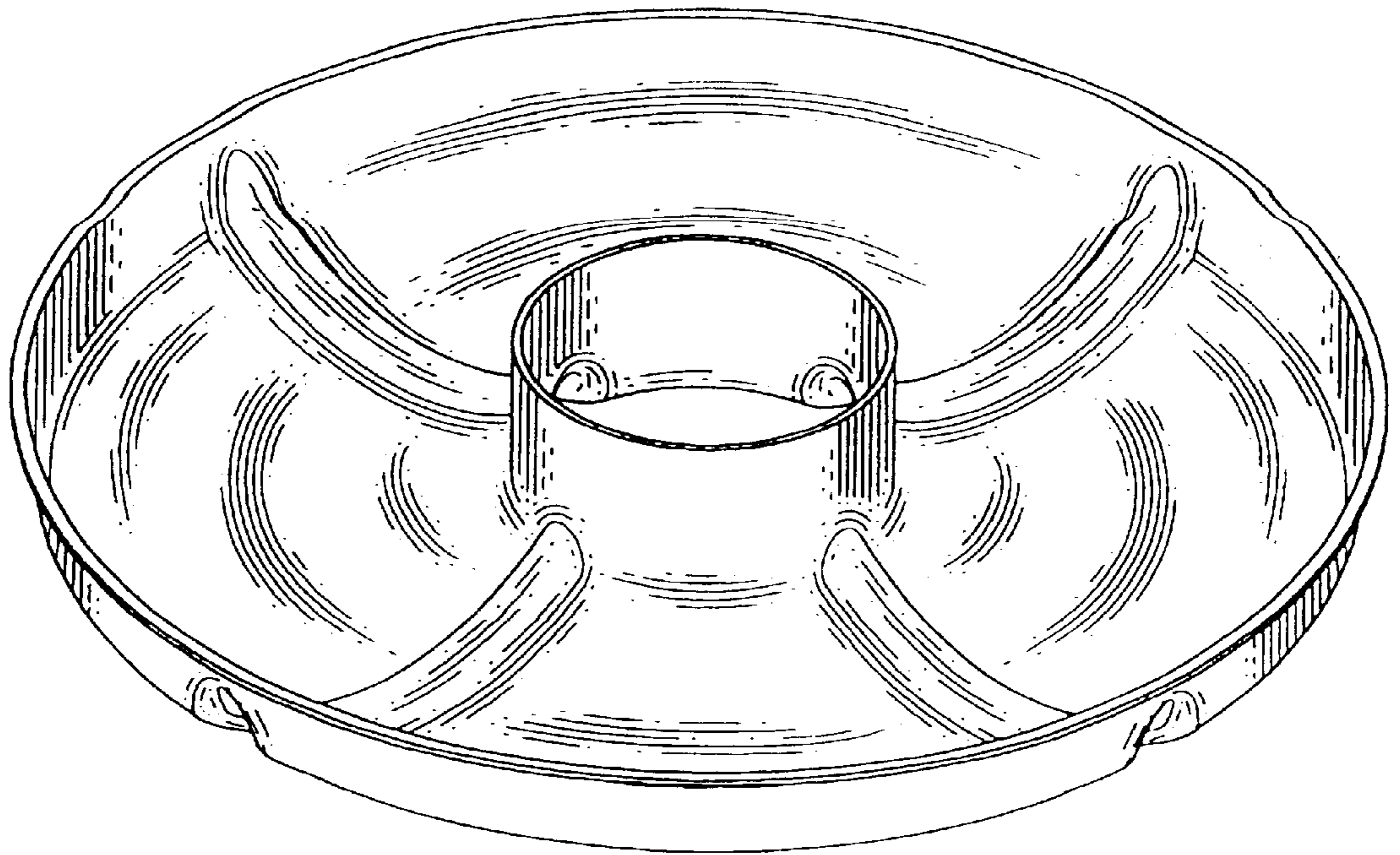




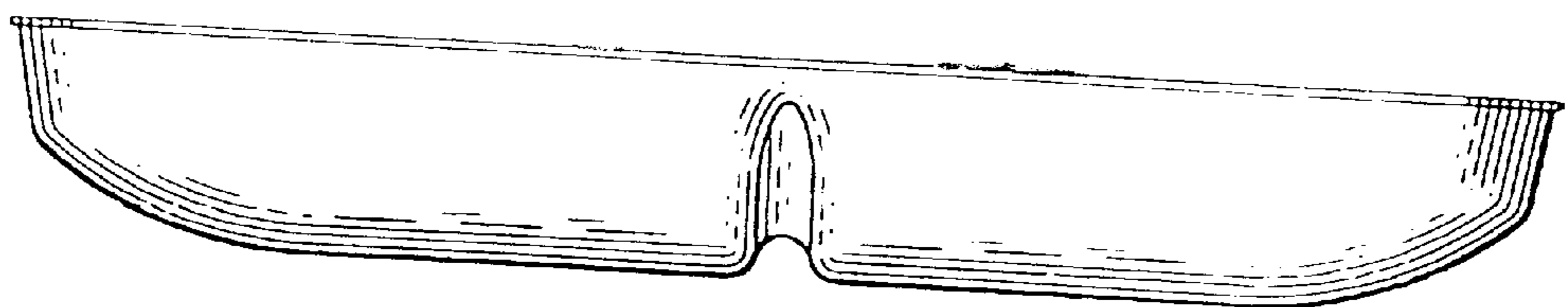
*Fig. 6*



*Fig. 7*



*Fig. 8*



*Fig. 9*