



US00D444672S

(12) **United States Design Patent**
Miura

(10) **Patent No.:** **US D444,672 S**

(45) **Date of Patent:** **** Jul. 10, 2001**

(54) **CUP FOR BEVERAGES OR FOODS**

(75) Inventor: **Masami Miura**, Tokyo (JP)

(73) Assignee: **San-ai Corporation**, Tokyo (JP)

(**) Term: **14 Years**

(21) Appl. No.: **29/117,582**

(22) Filed: **Jan. 31, 2000**

(30) **Foreign Application Priority Data**

Oct. 29, 1999 (JP) 11-30017

(51) **LOC (7) Cl.** **07-01**

(52) **U.S. Cl.** **D7/507; D7/533**

(58) **Field of Search** D7/507, 509, 533,
D7/536, 523, 505; 229/1.5 B, 393, 400,
401, 402; 220/703, 713, 675, 719, 710.5,
612; 248/146; 206/579, 459; 215/383, 391

(56) **References Cited**

U.S. PATENT DOCUMENTS

D. 209,307	*	11/1967	Schilling	D7/523
2,558,287	*	6/1951	Amberg	229/402
2,745,586	*	5/1956	Thoma	229/401
2,867,365	*	1/1959	Tourette	229/401
2,868,434	*	1/1959	Jones	229/402
3,144,950	*	8/1964	Rosenheim	215/391
3,268,143	*	8/1966	Bolgato	229/400
3,458,107	*	7/1969	Lane et al.	229/401
4,685,583	*	8/1987	Noon	220/710.5
4,726,553	*	2/1988	Wischusen, III	248/146

4,836,400	*	6/1989	Chaffey et al.	220/612
5,007,578	*	4/1991	Simone	229/400
5,996,887	*	12/1999	Cai et al.	229/400

* cited by examiner

Primary Examiner—M. N. Pandozzi

(74) *Attorney, Agent, or Firm*—Oblon, Spivak, McClelland, Maier & Neustadt, P.C.

(57) **CLAIM**

The ornamental design for a cup for beverages or foods, as shown.

DESCRIPTION

FIG. 1 is a front elevational view of a cup for beverages or foods, showing my new design;
 FIG. 2 is a rear elevational view thereof;
 FIG. 3 is a top plan view thereof;
 FIG. 4 is a bottom plan view thereof;
 FIG. 5 is a left side elevational view thereof;
 FIG. 6 is a right side elevational view thereof;
 FIG. 7 is a top perspective view thereof, where the stirring piece is in an alternate position, used as a gripping handle;
 FIG. 8 is an exploded top perspective view thereof, where the stirring piece is in another alternate position, fully separated from the cup portion.
 FIG. 9 is a cross-sectional view thereof, taken along the line IX—IX of FIG. 1; and,
 FIG. 10 is a cross-sectional view thereof, taken along the line X—X of FIG. 1.

1 Claim, 2 Drawing Sheets

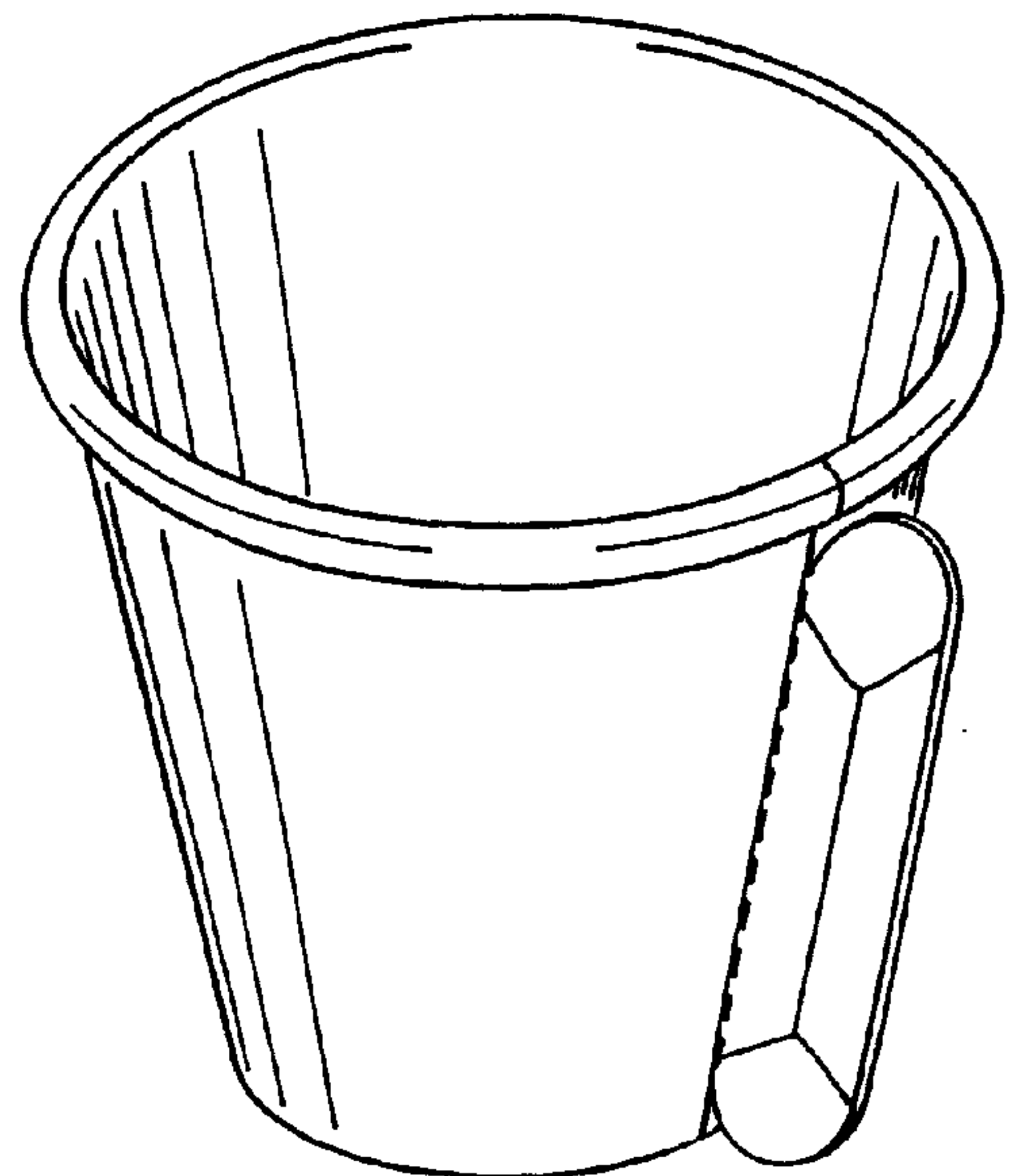
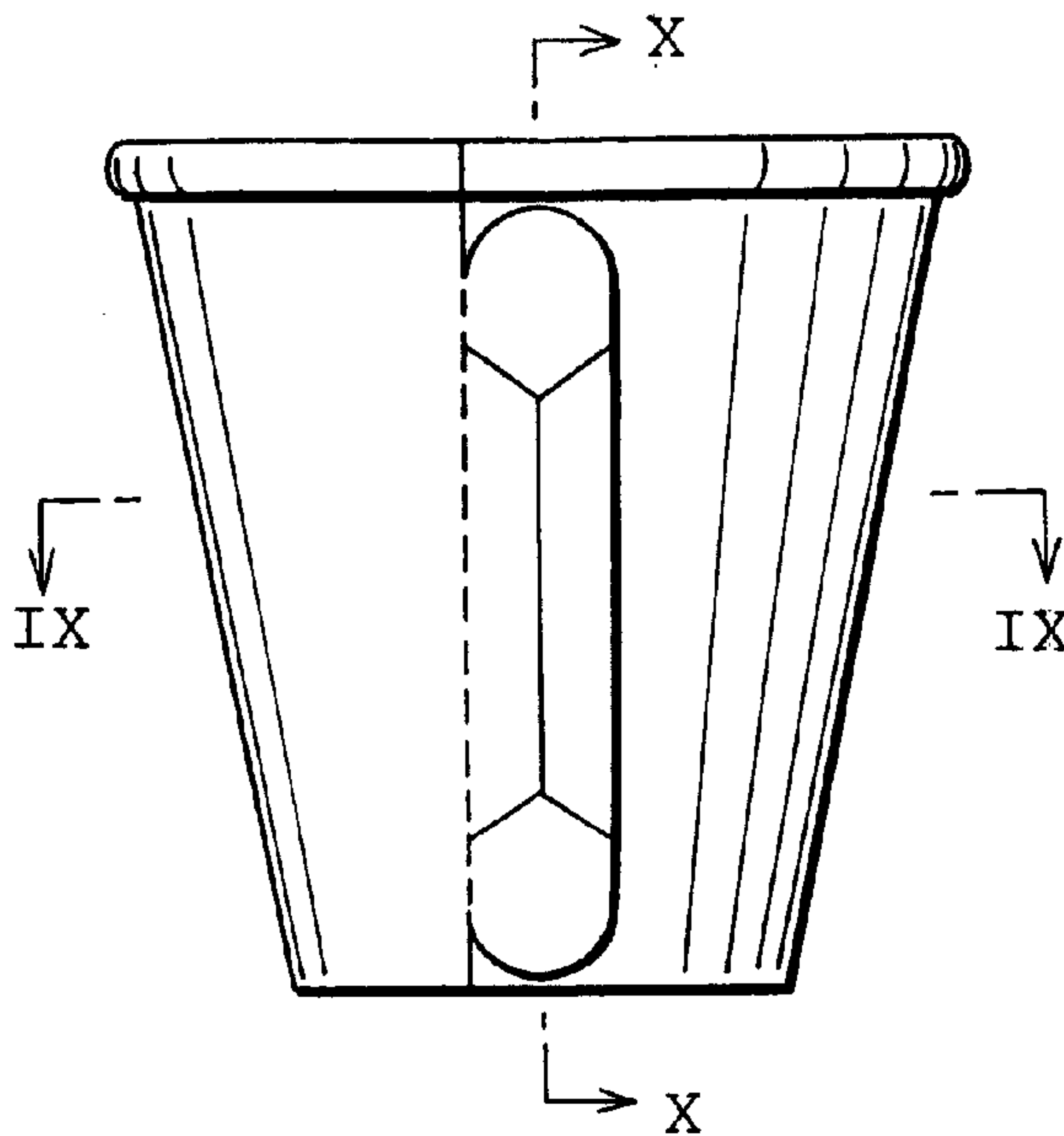


FIG. 1

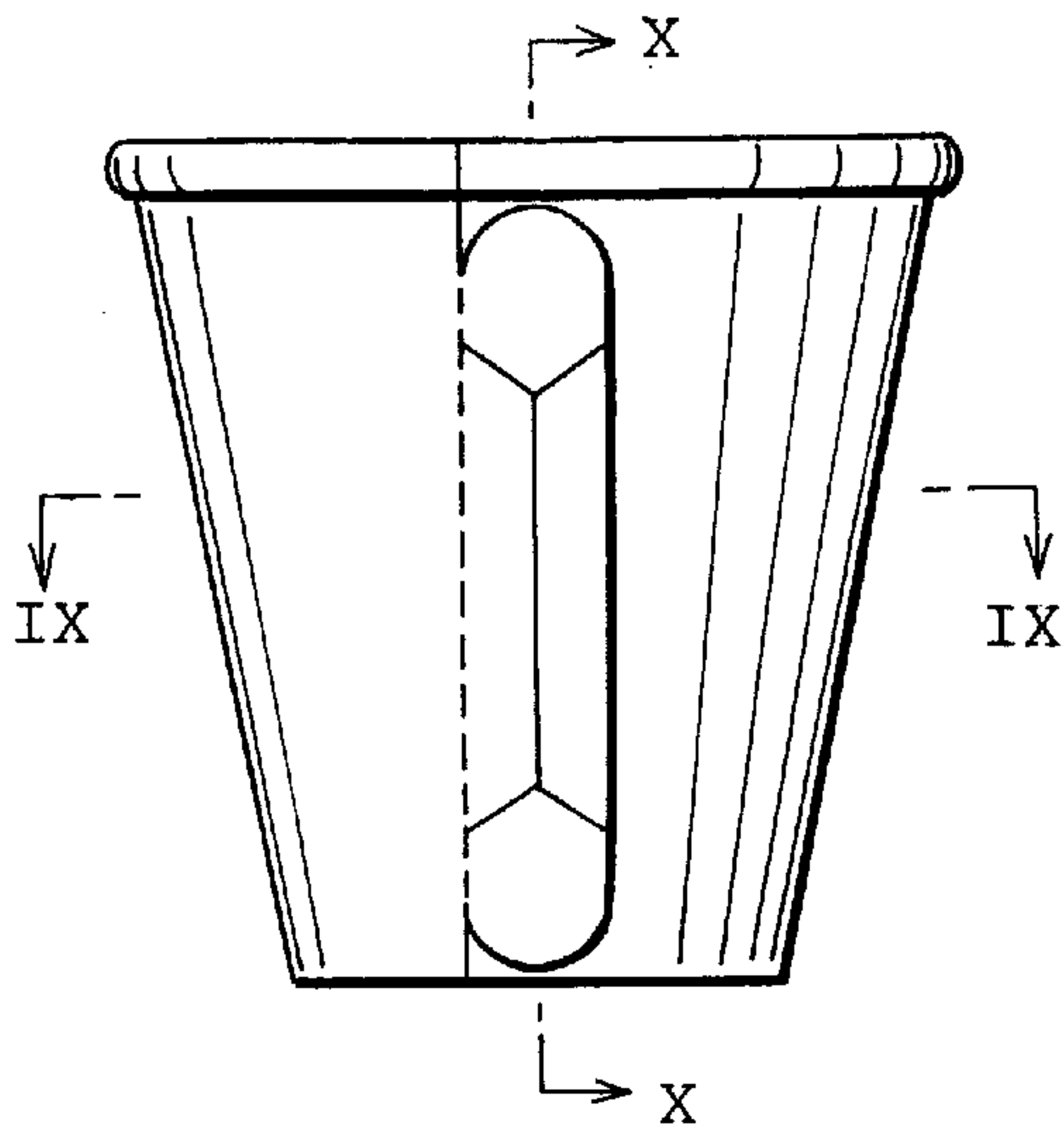


FIG. 2

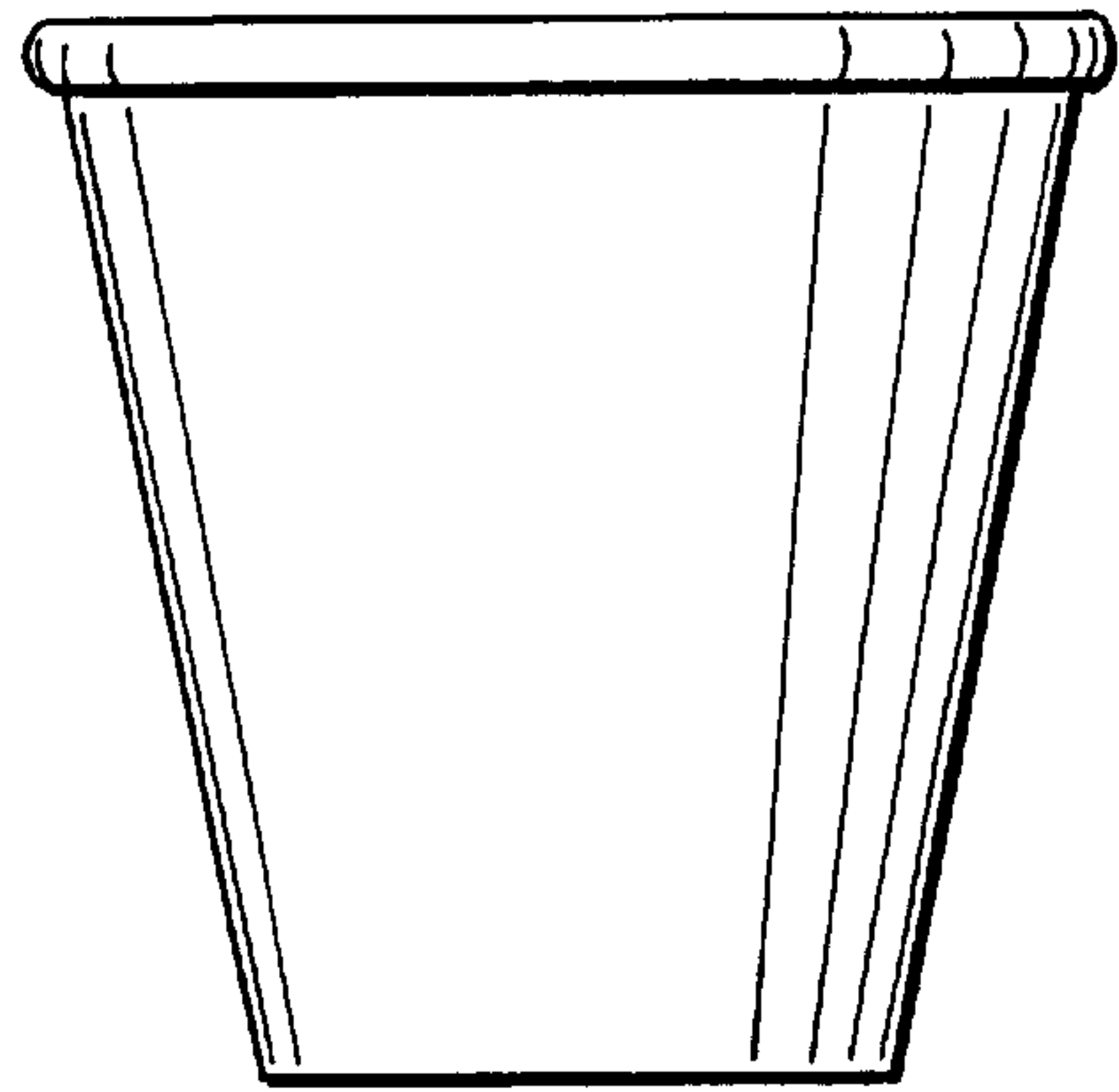


FIG. 3

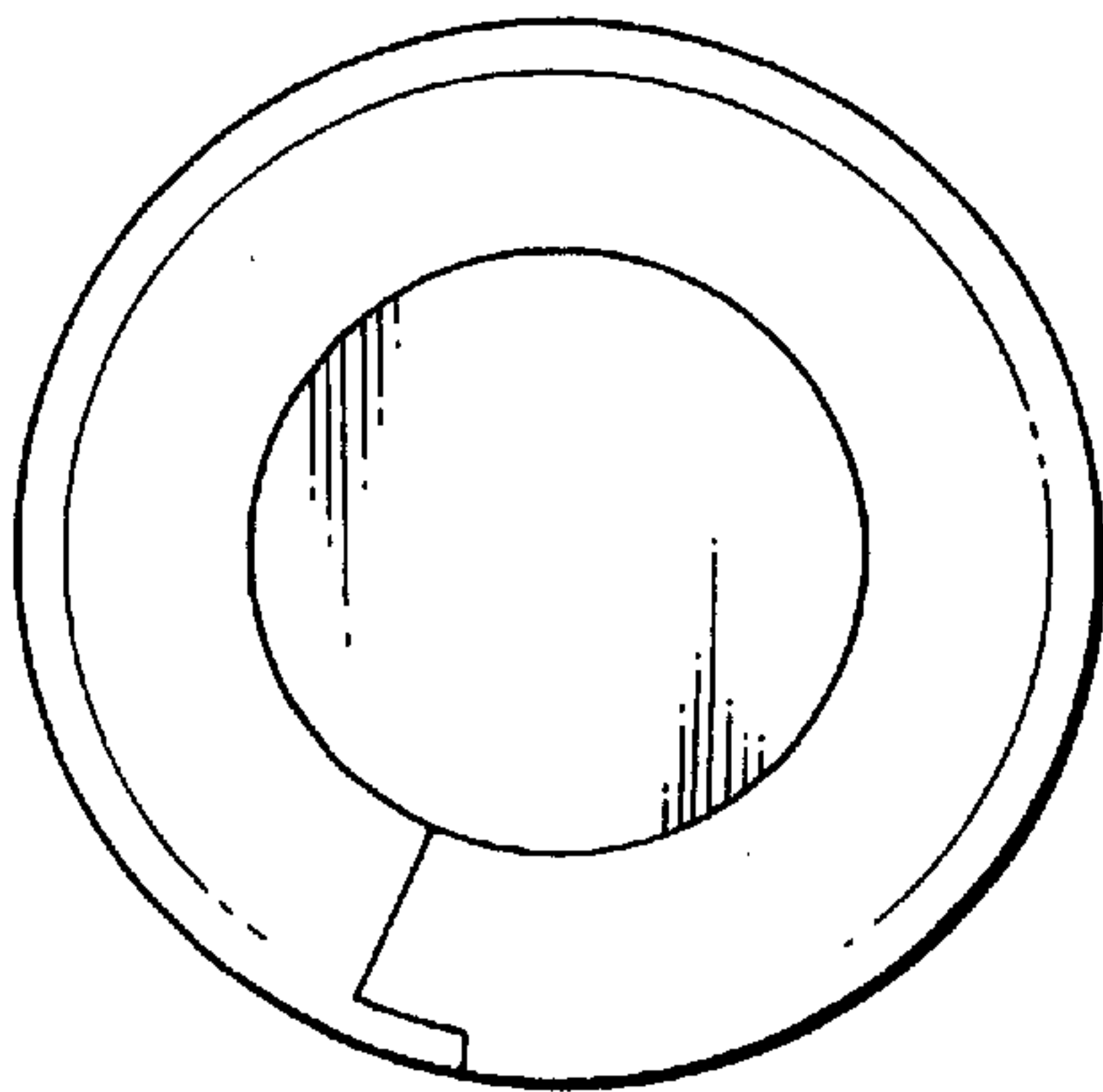


FIG. 4

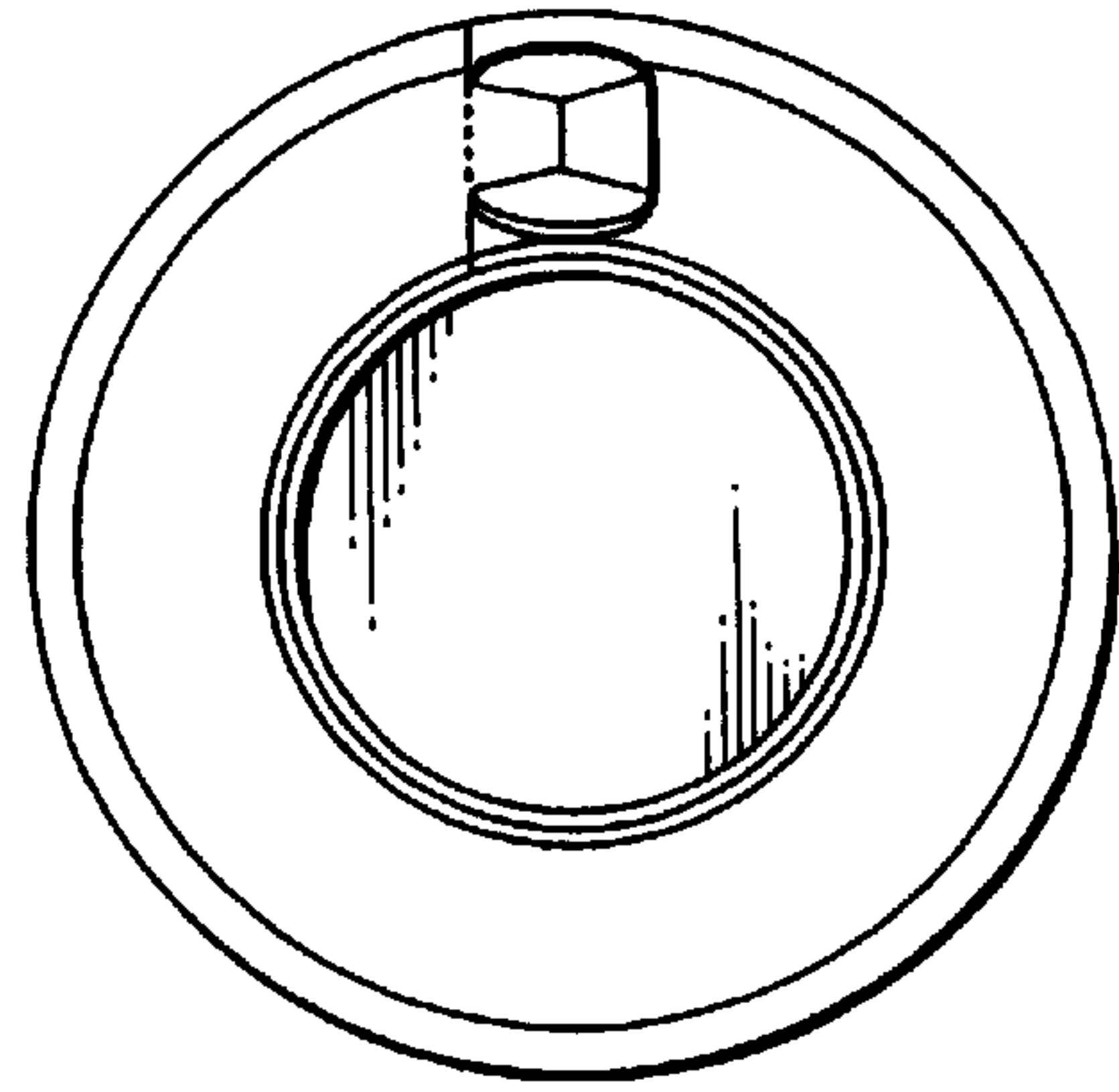


FIG. 5

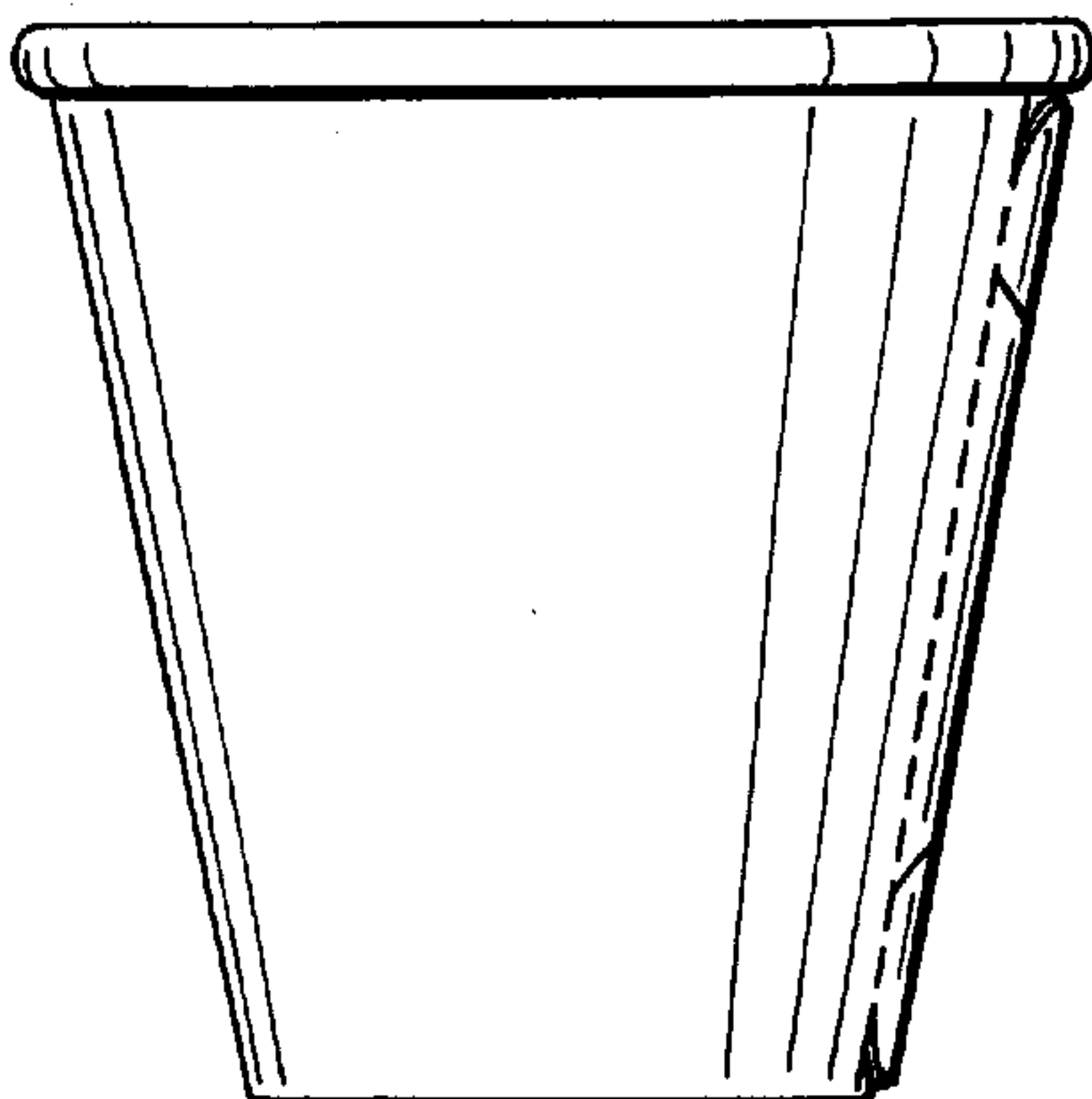


FIG. 6

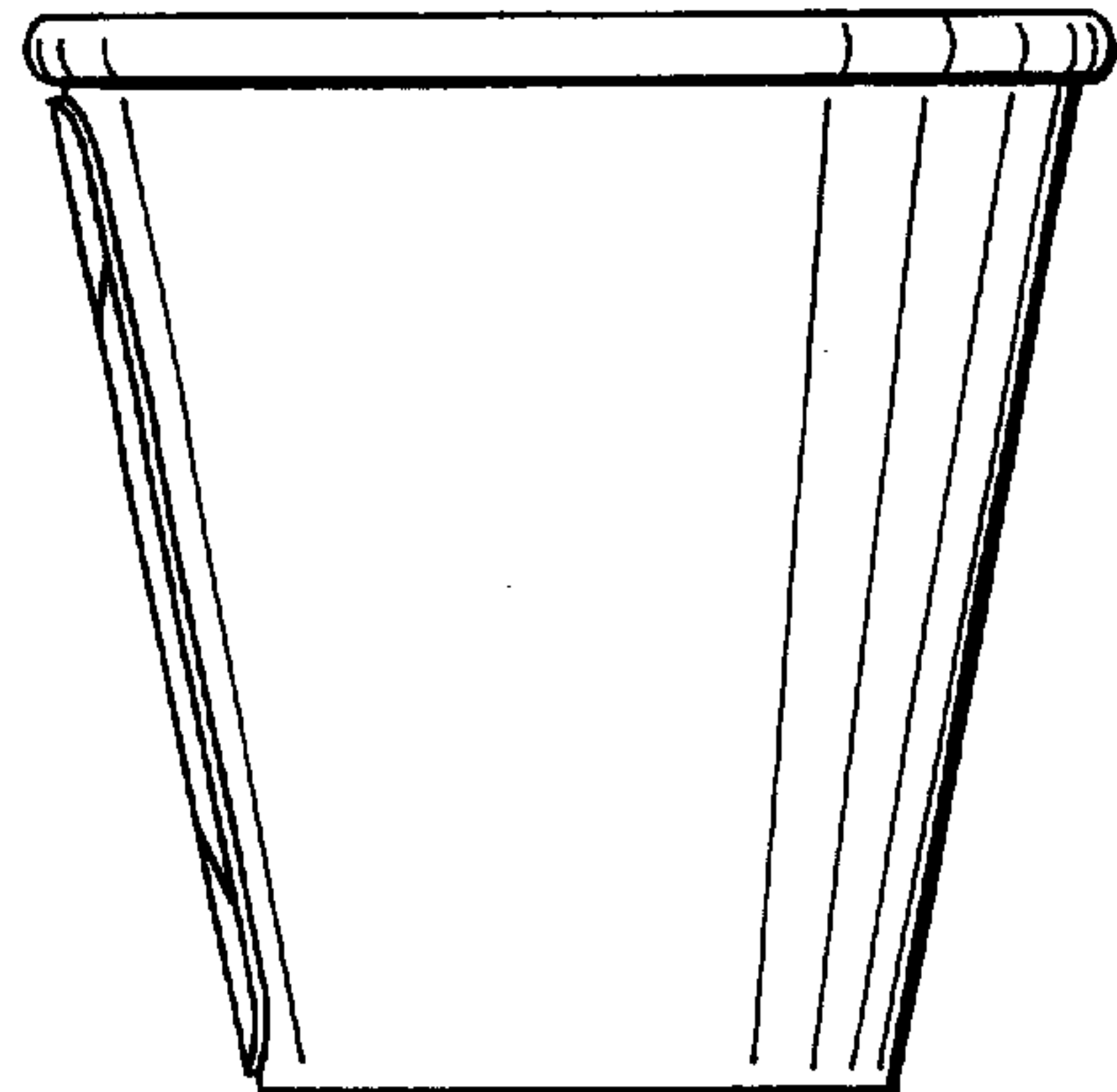


FIG. 7

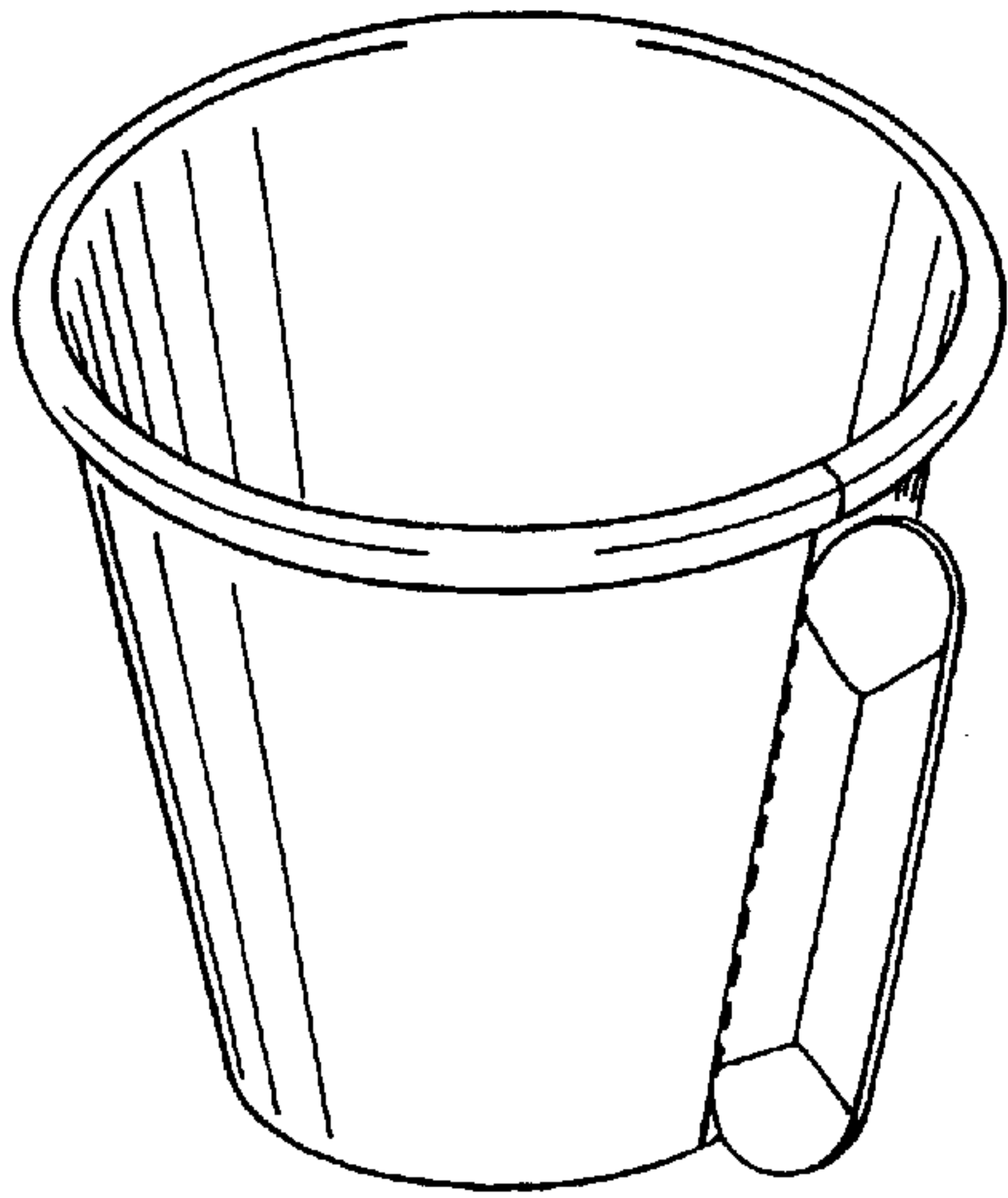


FIG. 8

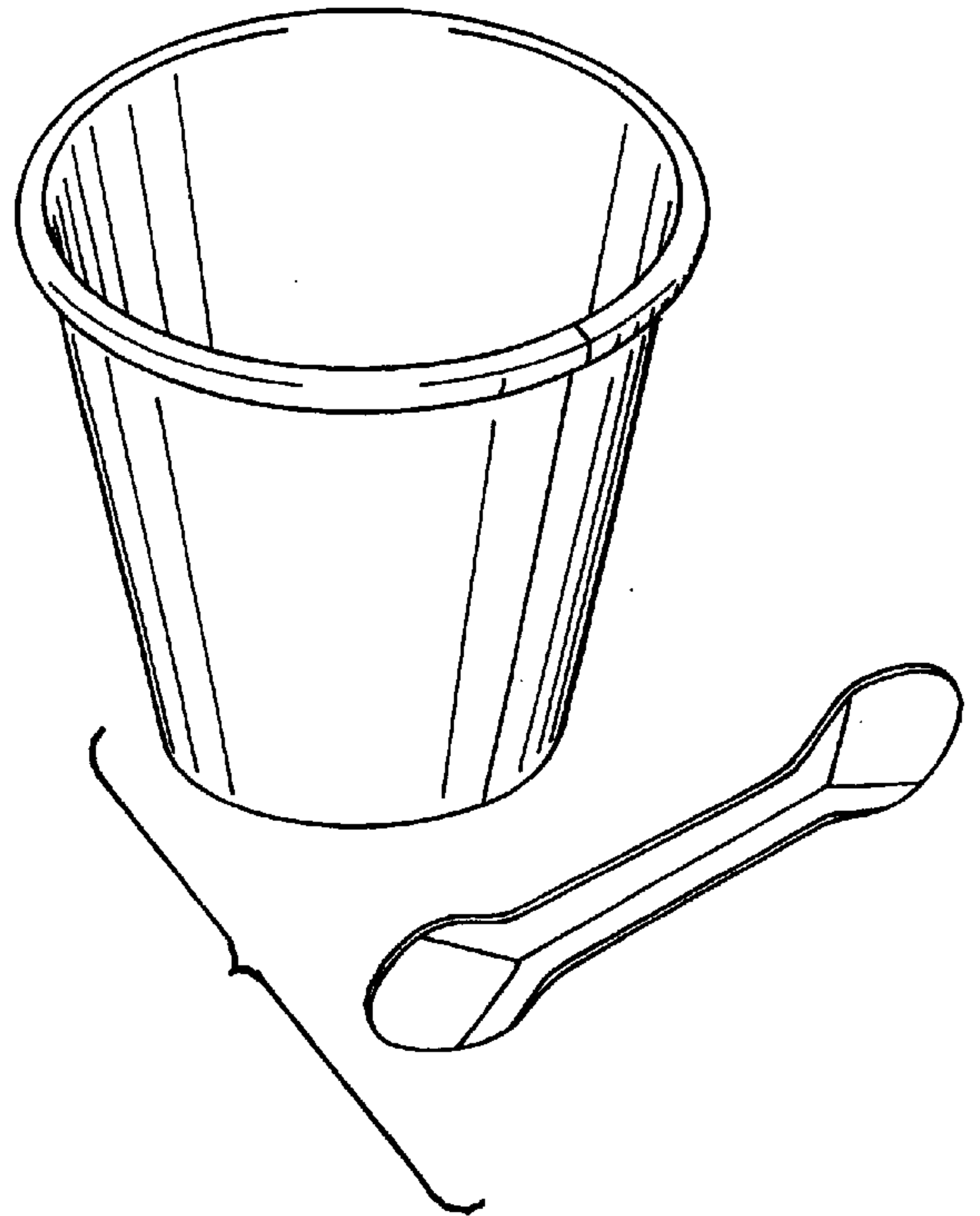


FIG. 9

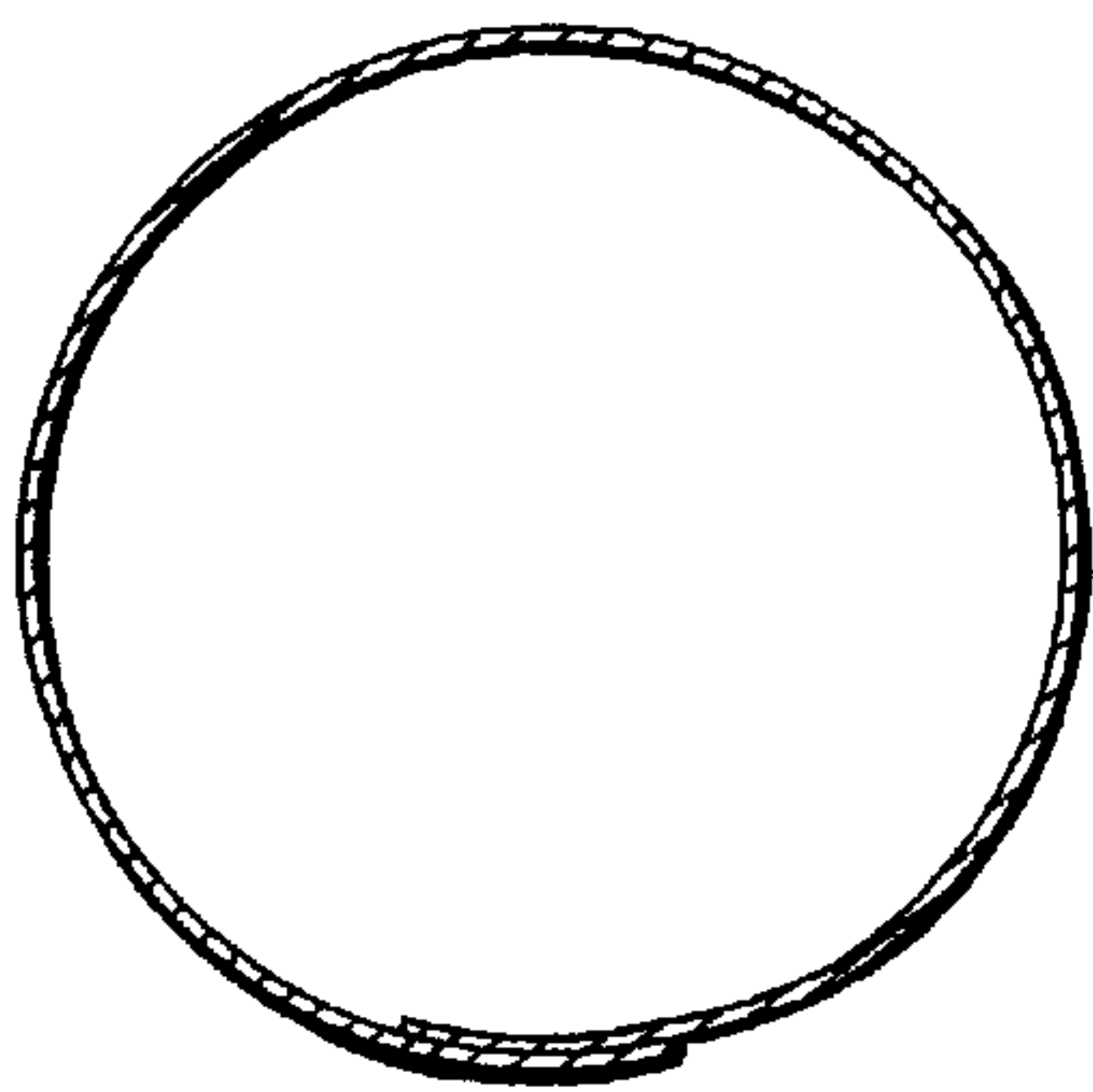


FIG. 10

