



US00D444671S

(12) **United States Design Patent**
Lucht

(10) **Patent No.:** **US D444,671 S**

(45) **Date of Patent:** **** Jul. 10, 2001**

(54) **DOOR FOR A MERCHANDISE DISPLAY**

(75) Inventor: **Wayne Lucht**, Bedford Park, IL (US)

(73) Assignees: **Midwest Quality Gloves, Inc.**,
Chillicothe, MO (US); **Midway**
Displays, Inc., Bedford Park

(**) Term: **14 Years**

(21) Appl. No.: **29/135,116**

(22) Filed: **Jan. 5, 2001**

(51) **LOC (7) Cl.** **06-99**

(52) **U.S. Cl.** **7/492**

(58) **Field of Search** D6/491, 492, 502,
D6/470; 312/102, 107, 114, 117, 138.1,
294, 326, 327, 352

(56) **References Cited**

U.S. PATENT DOCUMENTS

- D. 126,208 * 4/1941 Johnson et al. D6/470
- D. 296,634 * 7/1988 Suttles D6/492

* cited by examiner

Primary Examiner—Dominic Simone

(74) *Attorney, Agent, or Firm*—Leydig, Voit & Mayer, Ltd.

(57) **CLAIM**

The ornamental design for a door for a merchandise display, as shown and described.

DESCRIPTION

FIG. 1 is a right front perspective view of a door for a merchandise display showing my new design;

FIG. 2 is a left rear perspective view thereof;

FIG. 3 is a front elevational view thereof;

FIG. 4 is a right end view;

FIG. 5 is a left end view;

FIG. 6 is a top end view;

FIG. 7 is a bottom end view;

FIG. 8 is a rear elevational view thereof;

FIG. 9 is a right front perspective view of a second embodiment of FIG. 1;

FIG. 10 is a left rear perspective view thereof;

FIG. 11 is a front elevational view thereof;

FIG. 12 is a right end view;

FIG. 13 is a left end view;

FIG. 14 is a top end view;

FIG. 15 is a bottom end view;

FIG. 16 is a rear elevational view thereof;

FIG. 17 is a right front perspective view of a third embodiment of FIG. 1;

FIG. 18 is a left rear perspective view thereof;

FIG. 19 is a front elevational view thereof;

FIG. 20 is a right end view;

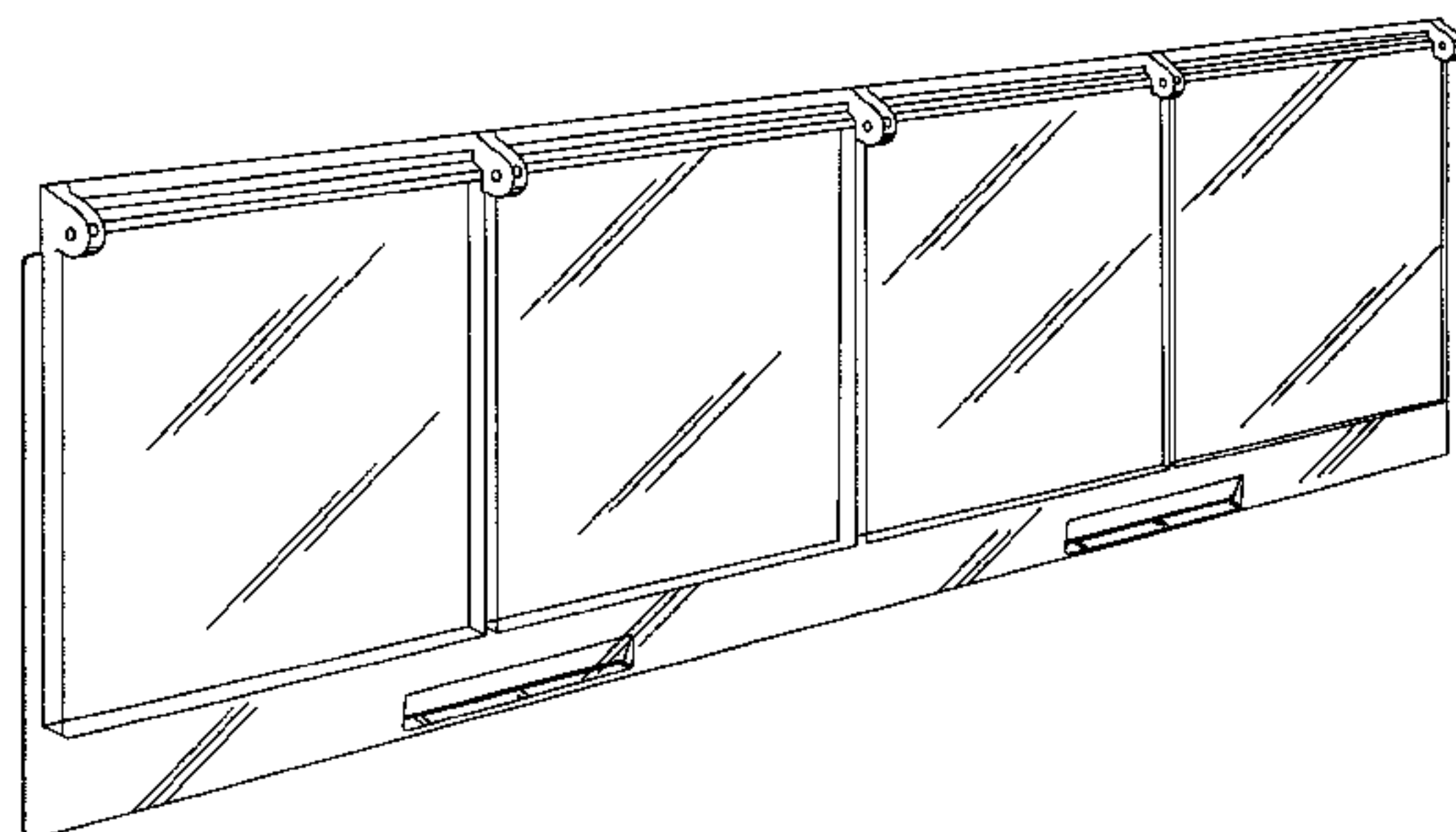
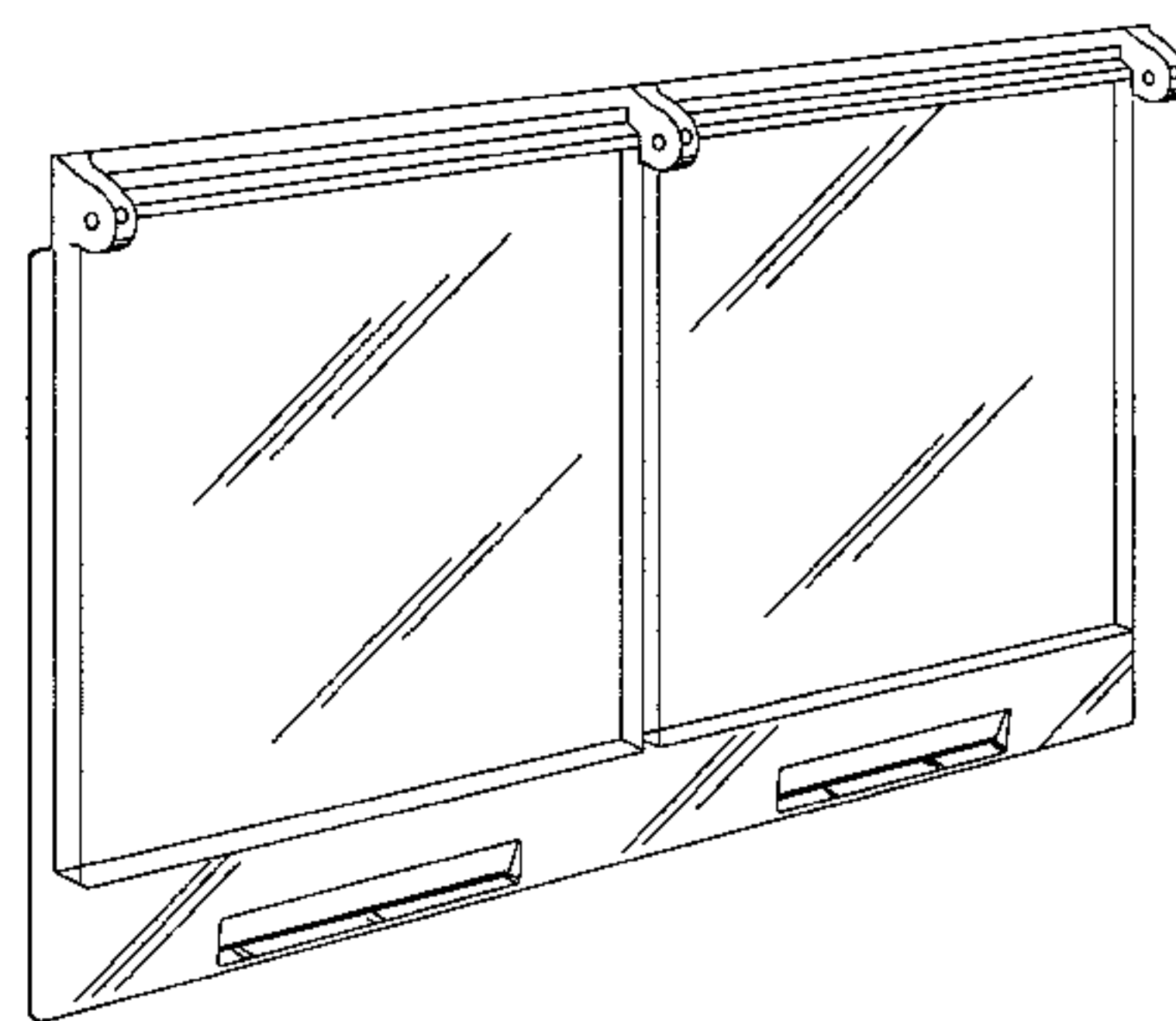
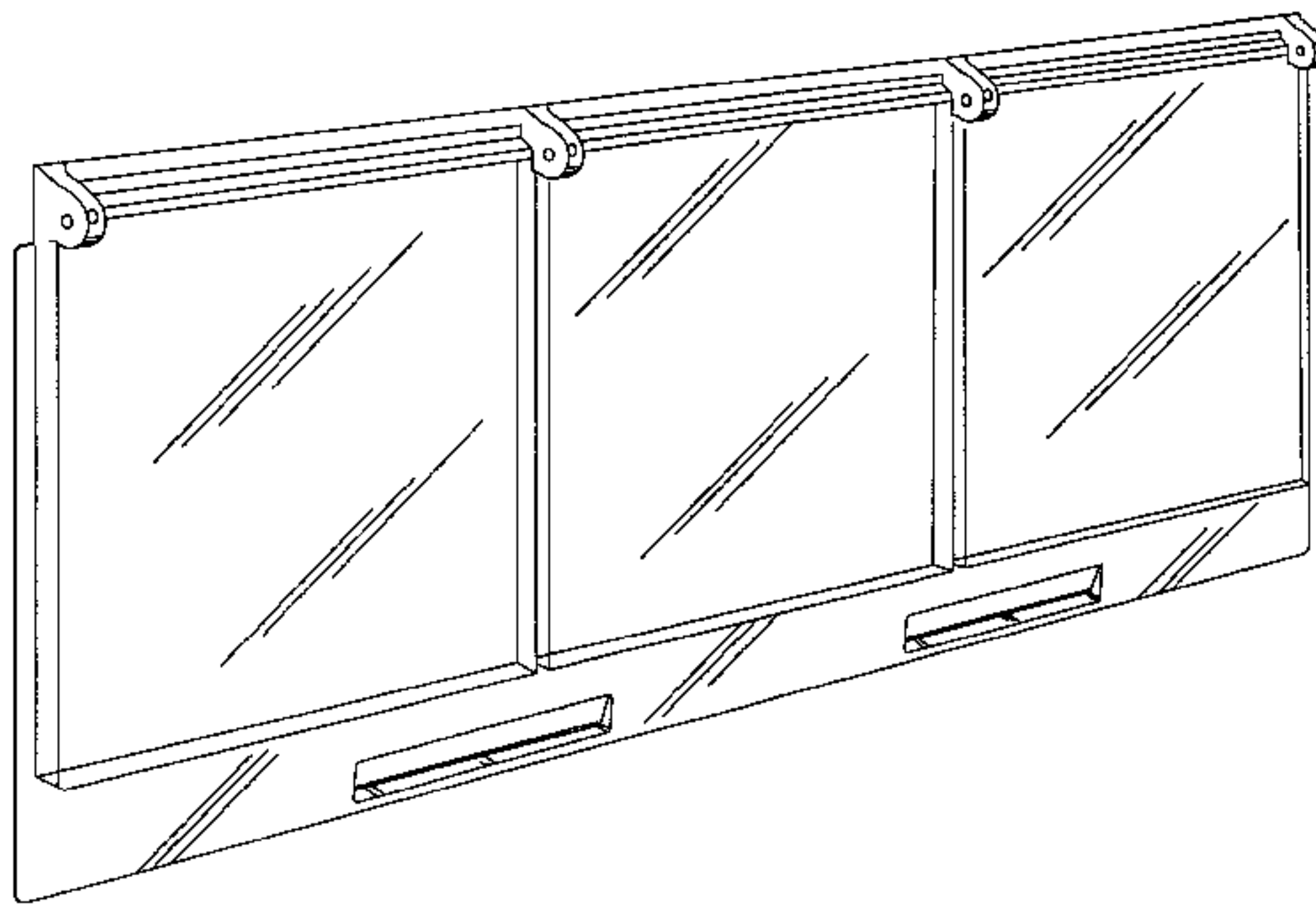
FIG. 21 is a left end view;

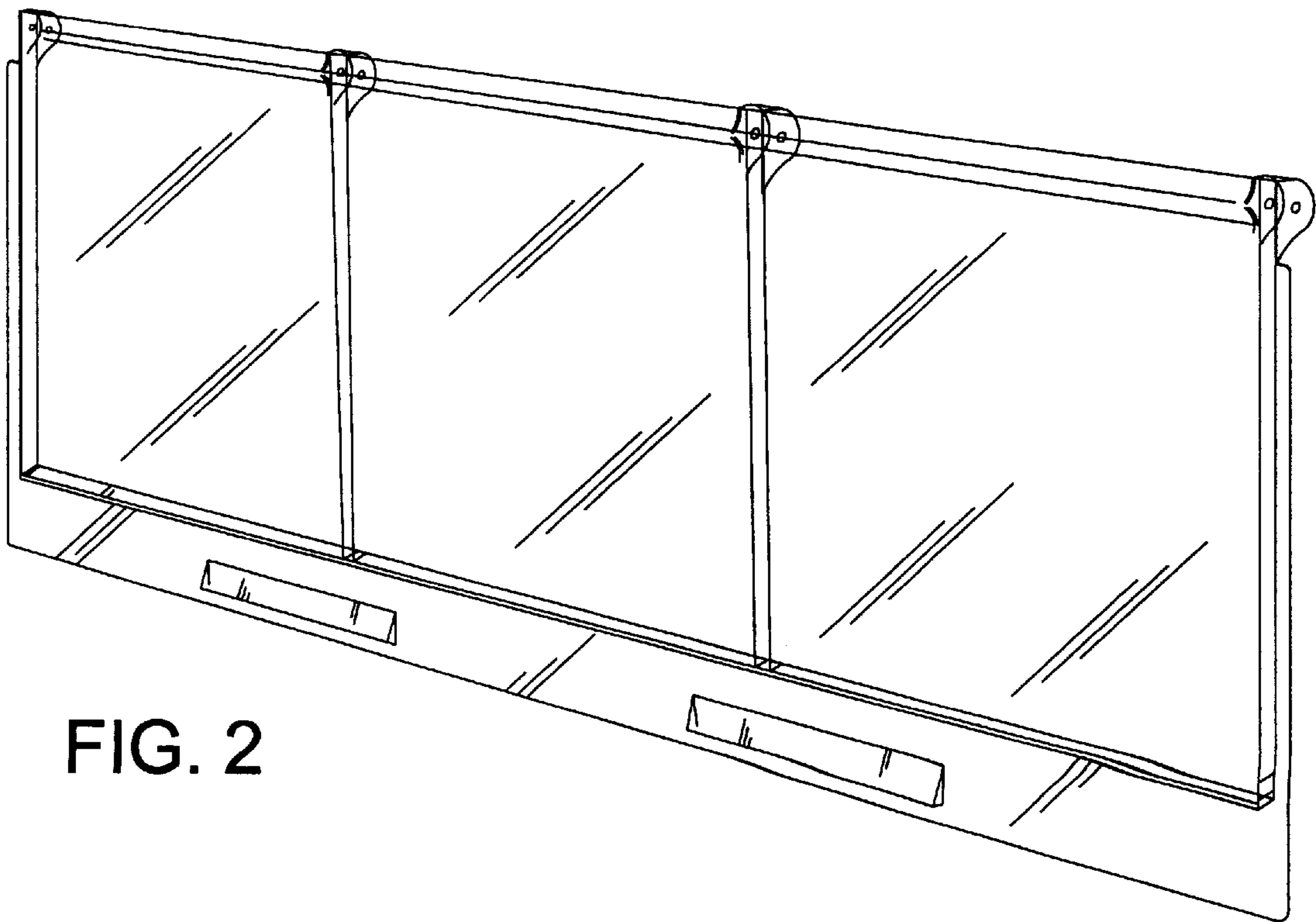
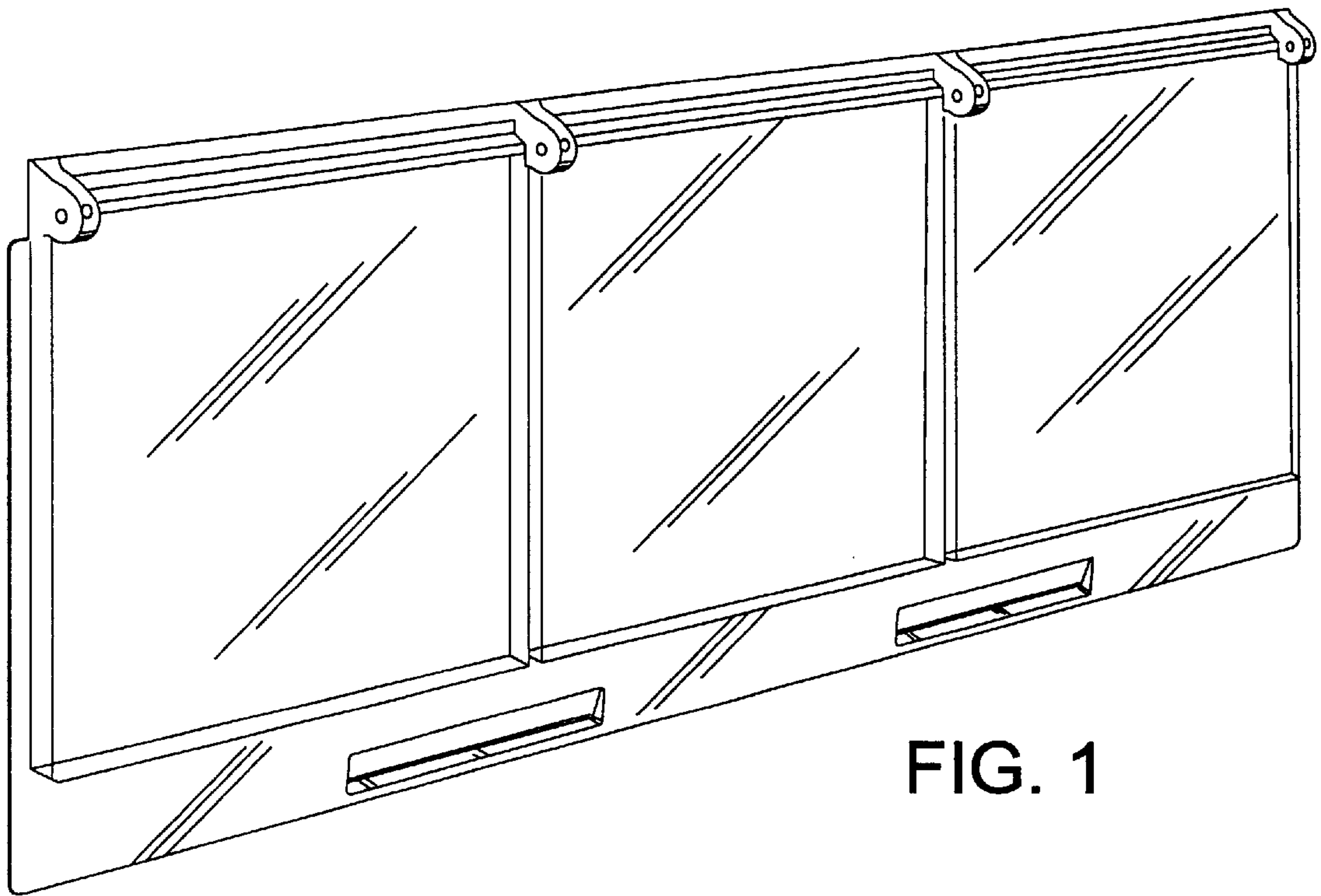
FIG. 22 is a top end view;

FIG. 23 is a bottom end view; and,

FIG. 24 is a rear elevational view thereof.

1 Claim, 9 Drawing Sheets





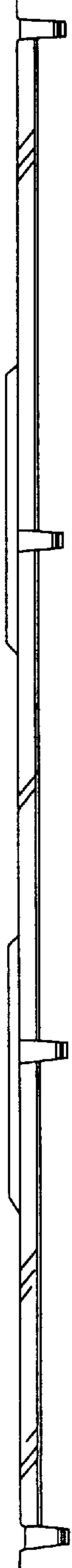


FIG. 6

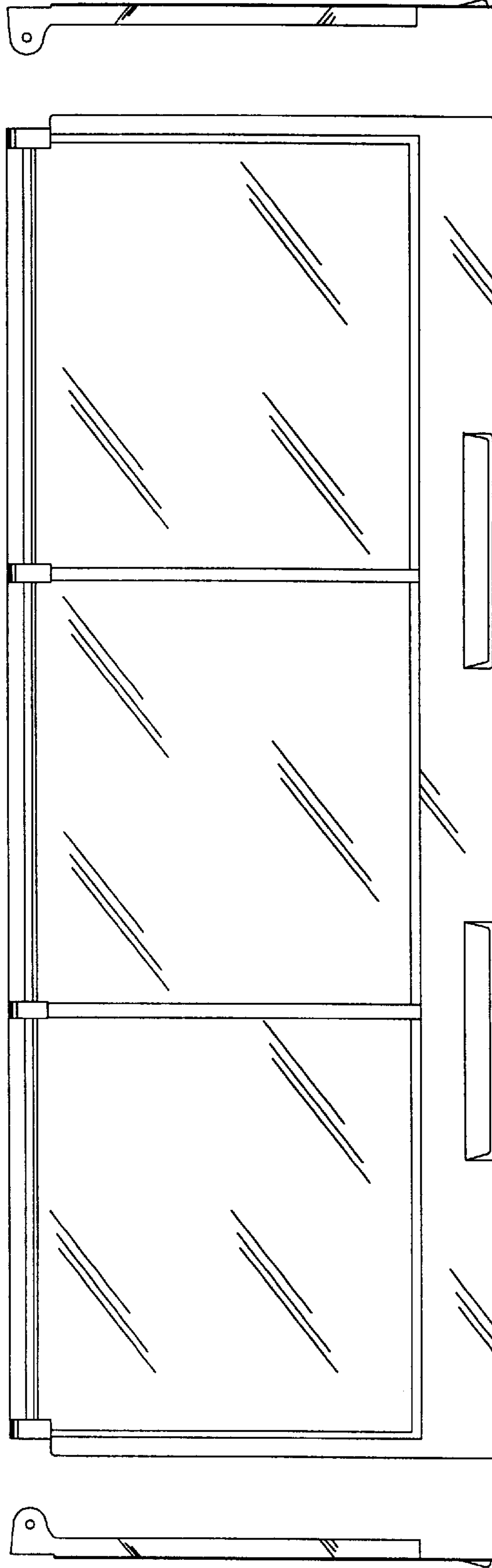


FIG. 5

FIG. 3

FIG. 4

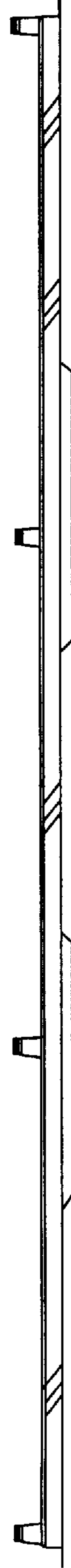


FIG. 7

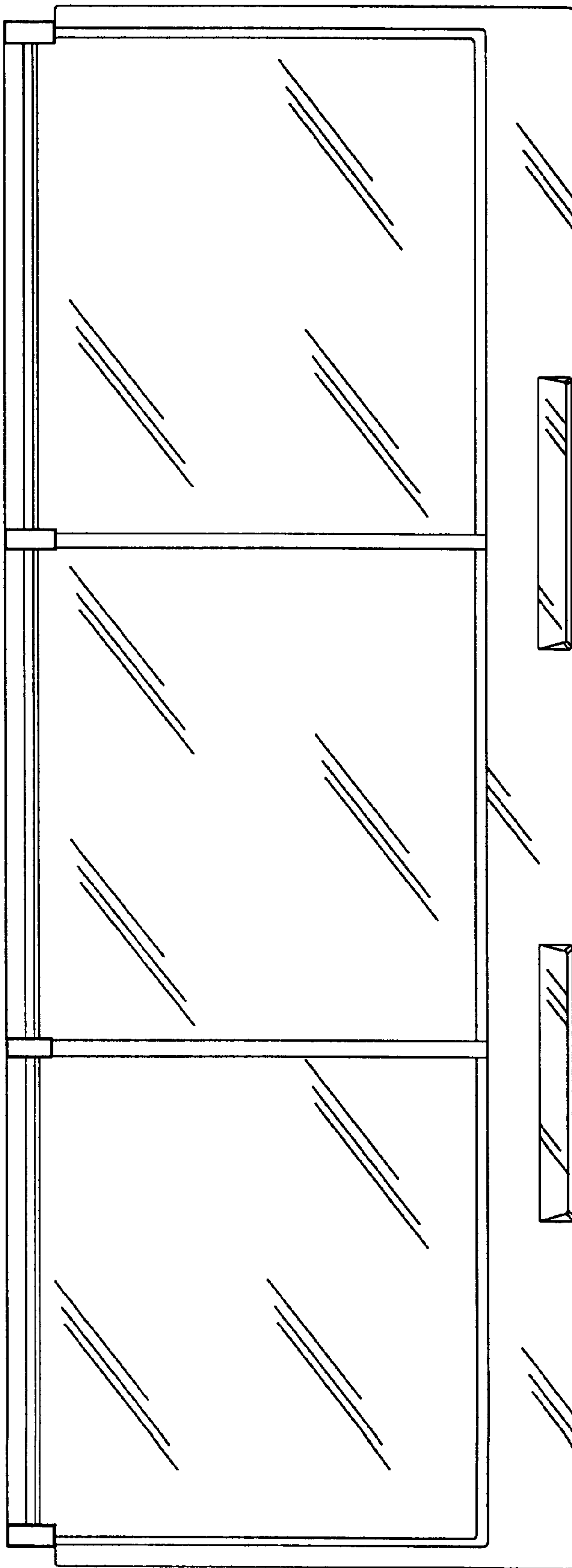


FIG. 8

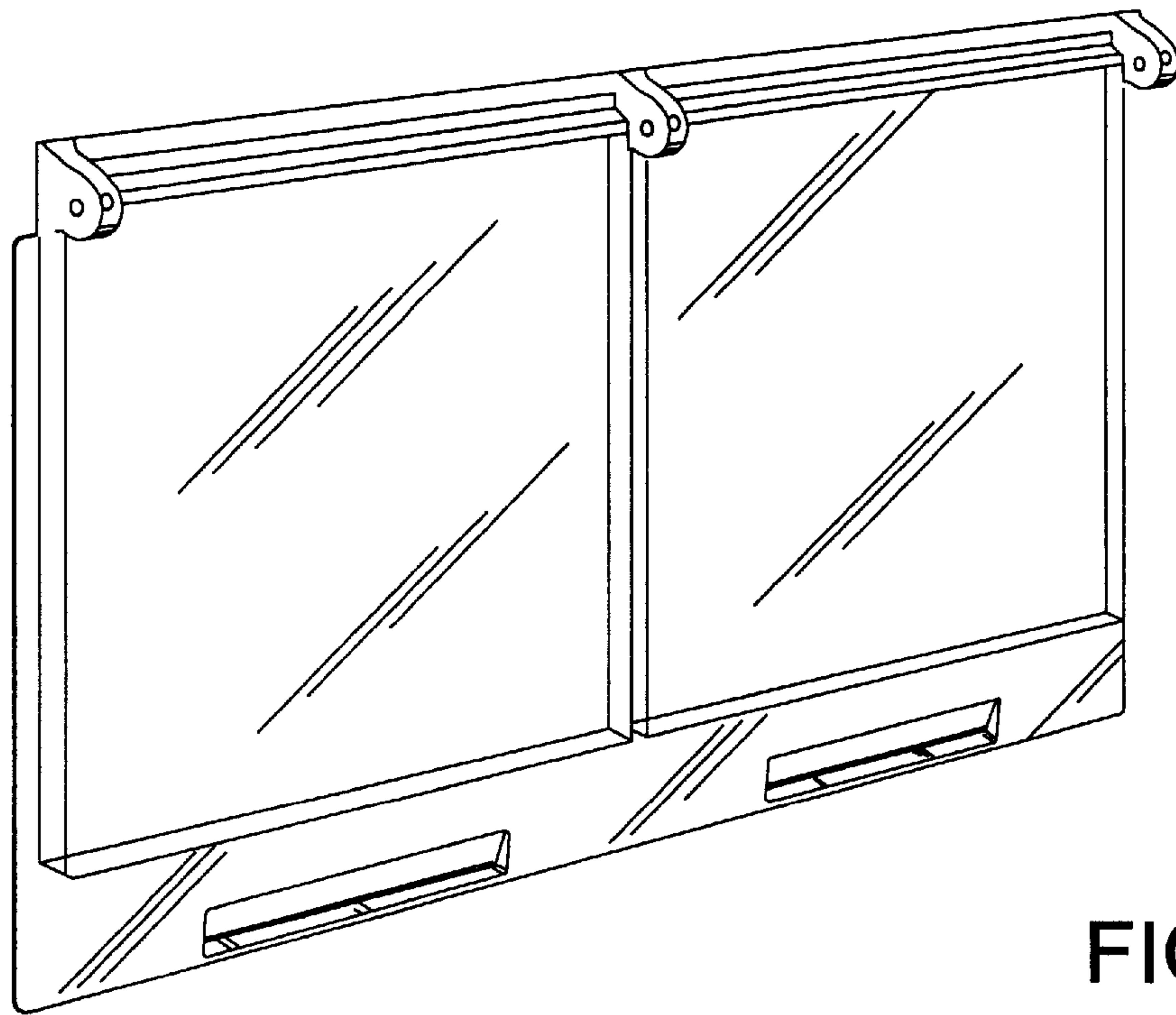


FIG. 9

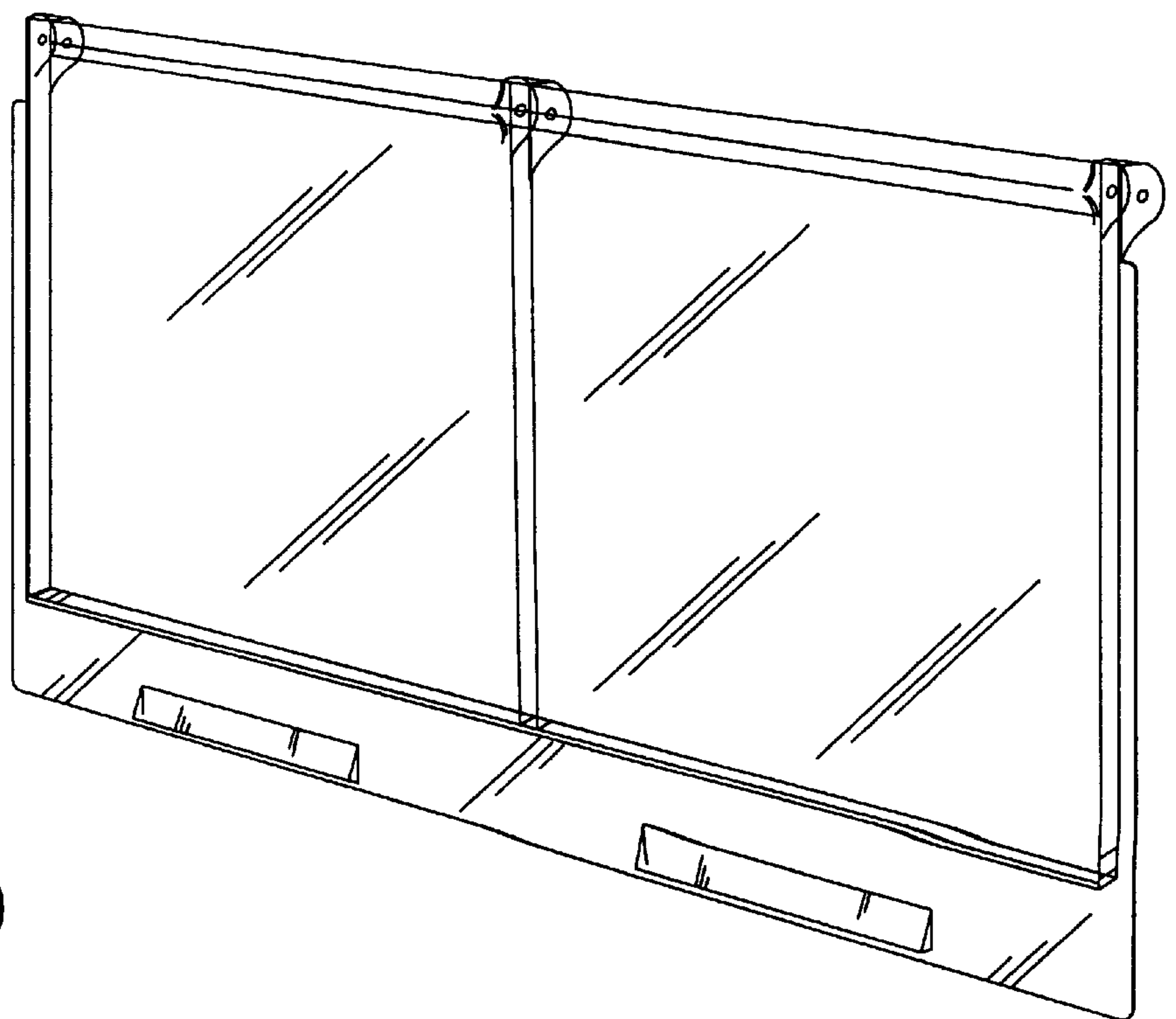


FIG. 10

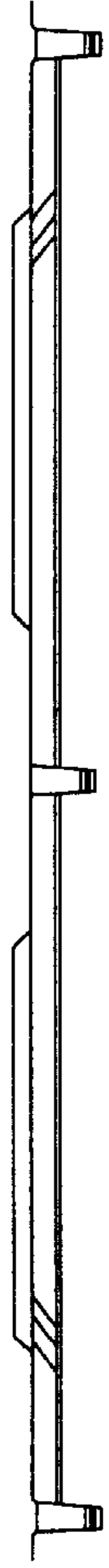


FIG. 14

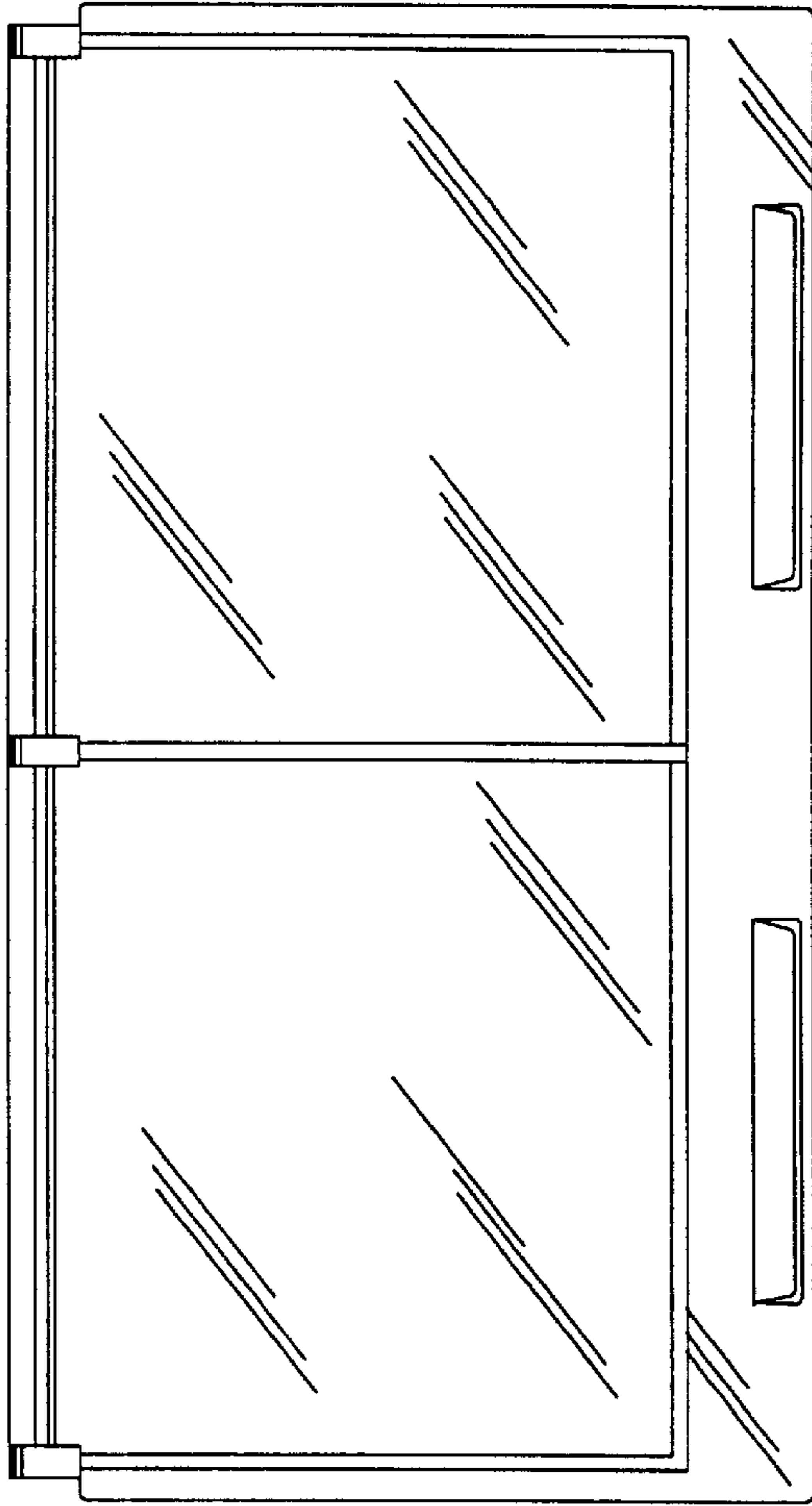


FIG. 11

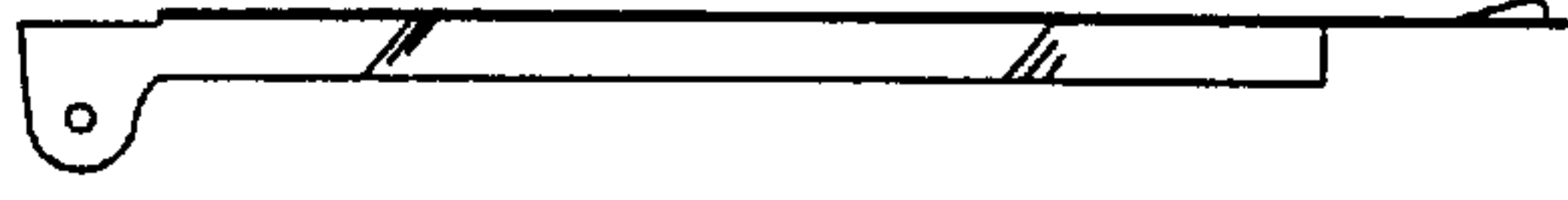


FIG. 12

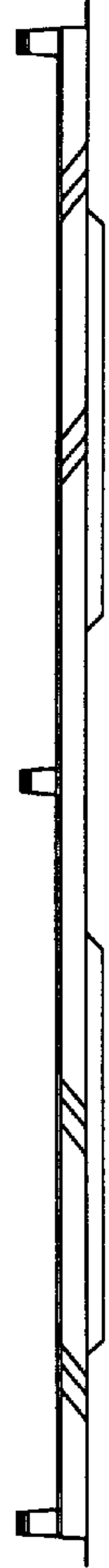


FIG. 15

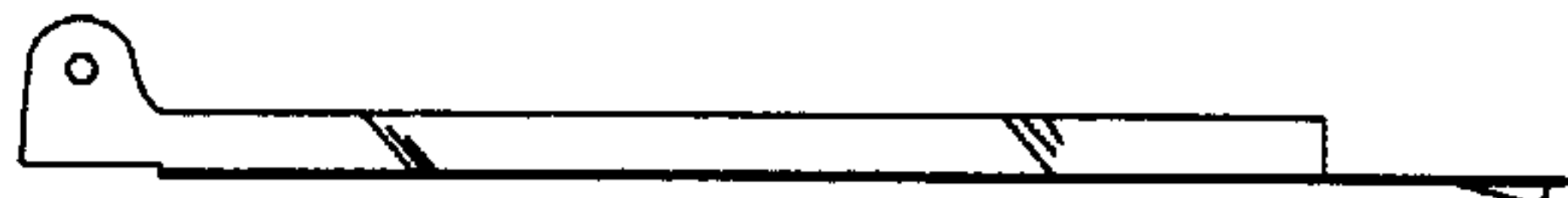


FIG. 13

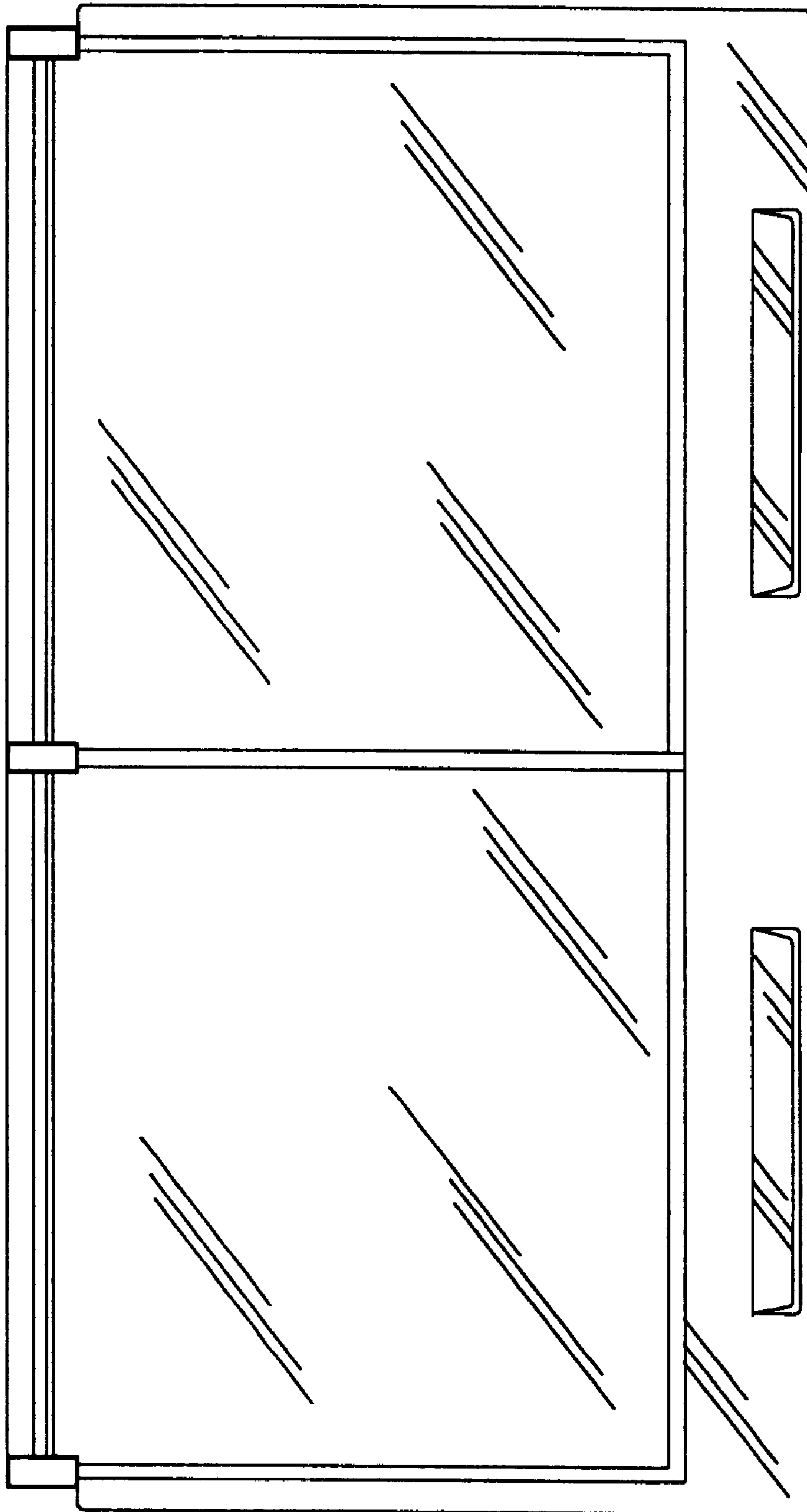


FIG. 16

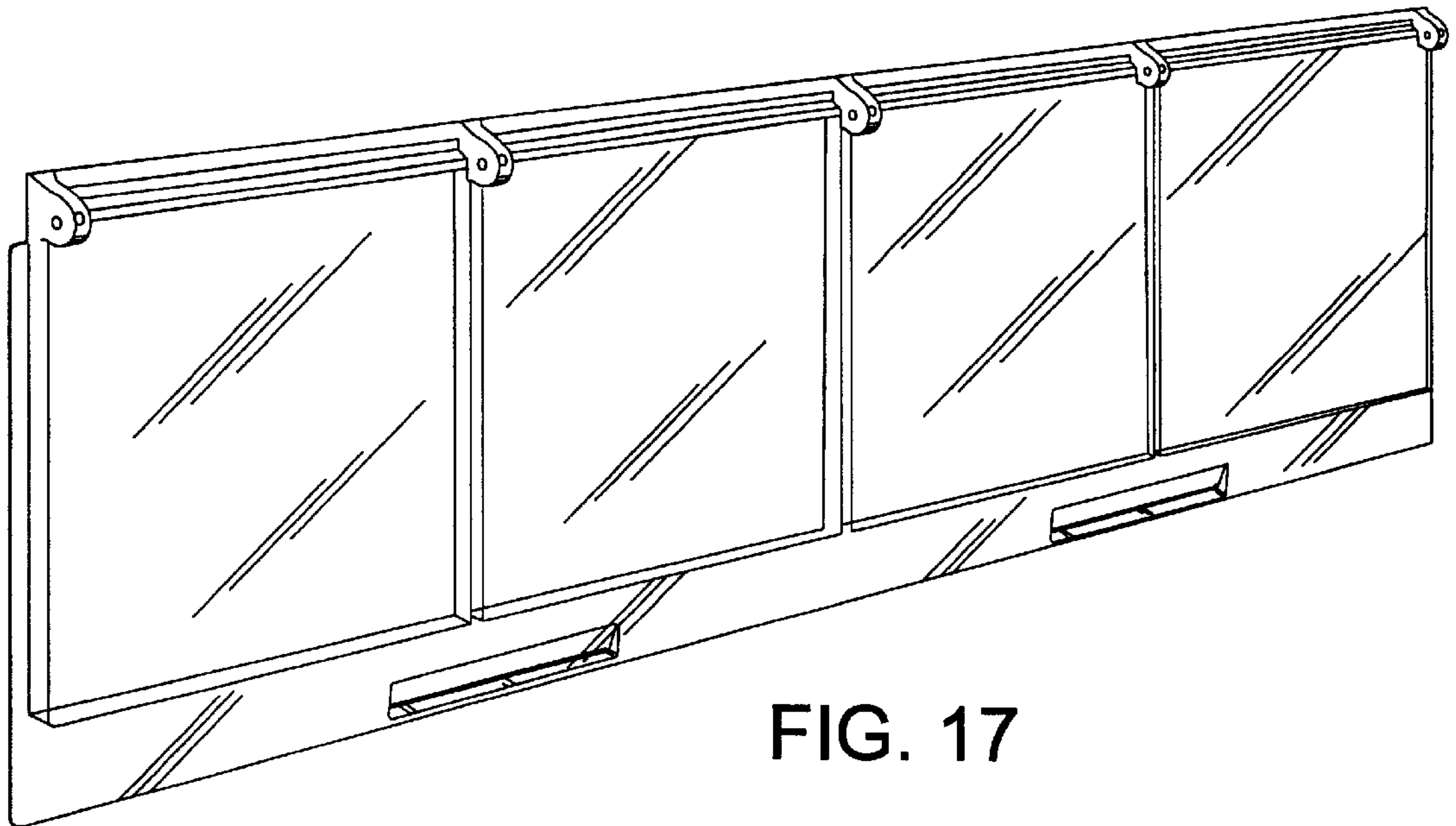


FIG. 17

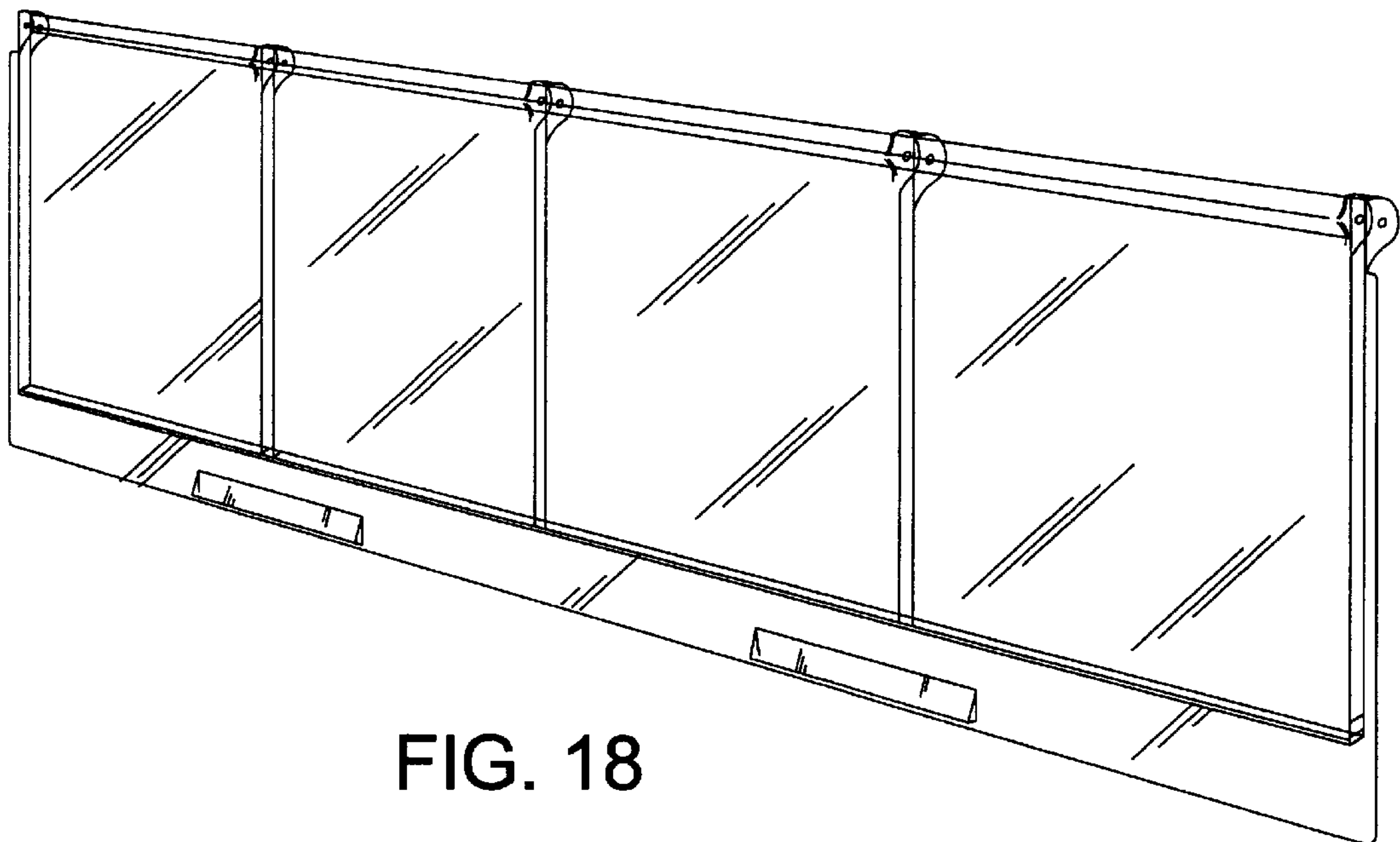


FIG. 18

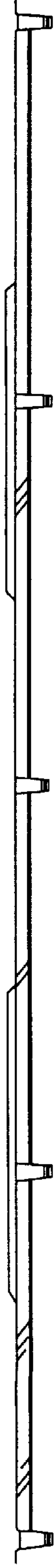


FIG. 22

FIG. 21

FIG. 20

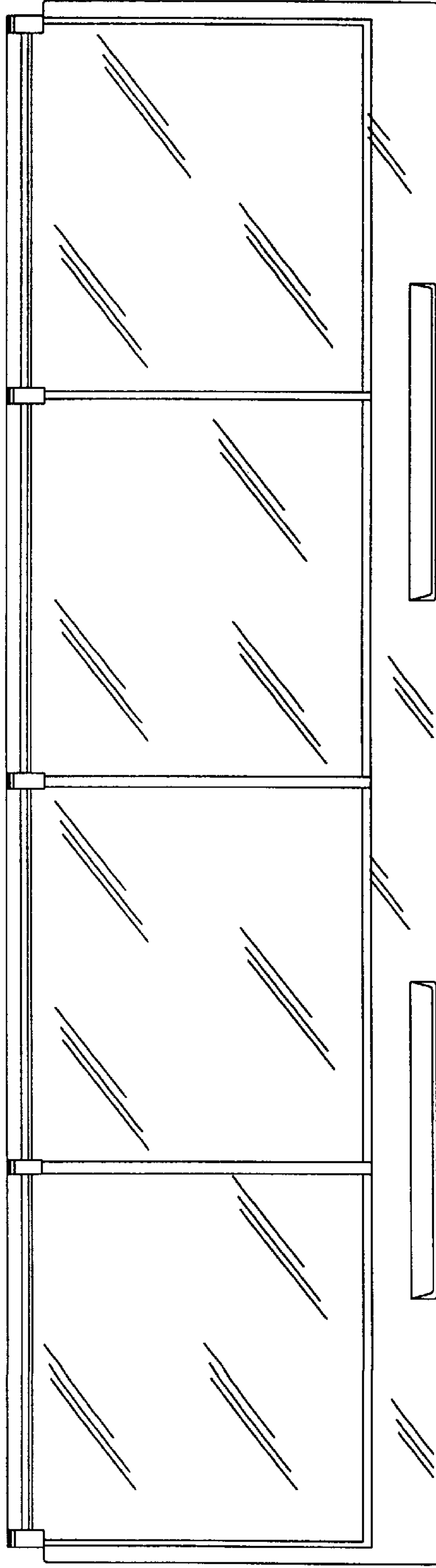


FIG. 19

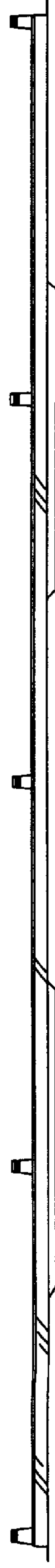


FIG. 23

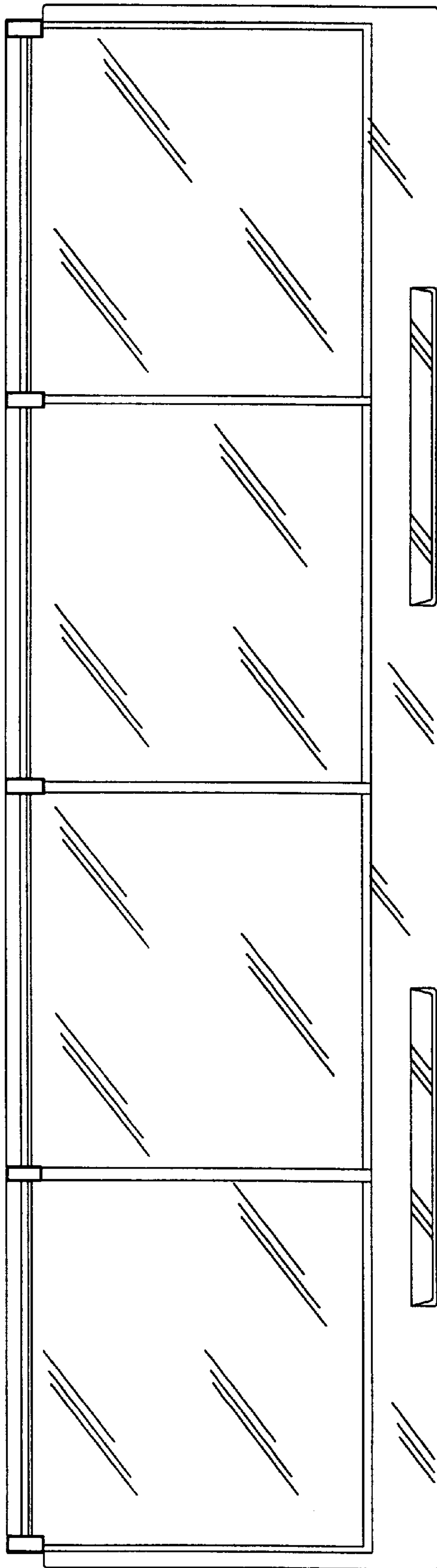


FIG. 24