



US00D444669S

(12) **United States Design Patent**
Prot

(10) **Patent No.:** **US D444,669 S**

(45) **Date of Patent:** **** Jul. 10, 2001**

(54) **MANUAL PASTA MACHINE**

(75) Inventor: **Piero Remigio Prot**, Lima (PE)

(73) Assignee: **Piero Prot /Belpasta Corp.**

(**) Term: **14 Years**

(21) Appl. No.: **29/107,036**

(22) Filed: **Jun. 28, 1999**

(51) **LOC (7) Cl.** **31-00**

(52) **U.S. Cl.** **D7/376**

(58) **Field of Search** D7/376, 381, 383,
D7/384, 412; 241/46.15, 101.01, 301; 83/879,
883, 884, 886, 887, 57, 68, 859

(56) **References Cited**

U.S. PATENT DOCUMENTS

D. 192,704 * 5/1962 Giunta D7/383

OTHER PUBLICATIONS

W. Bell & Co. Catalog; p. 306; Item M—Pasta Machine,
1979.*

* cited by examiner

Primary Examiner—Caron D. Veynar

(57) **CLAIM**

The ornamental design for a manual pasta machine, as shown and described.

DESCRIPTION

The claimed manual pasta machine is used to knead and stretch dough into flat sheets with its smooth rollers, and to cut the dough/sheets into long stripes of two different widths using its two pairs of cutting rollers. The rollers work by the insertion and turning of the handle in the appropriate roller. The same handle is used on all three rollers.

The claimed manual pasta machine may be used as a domestic or commercial machine.

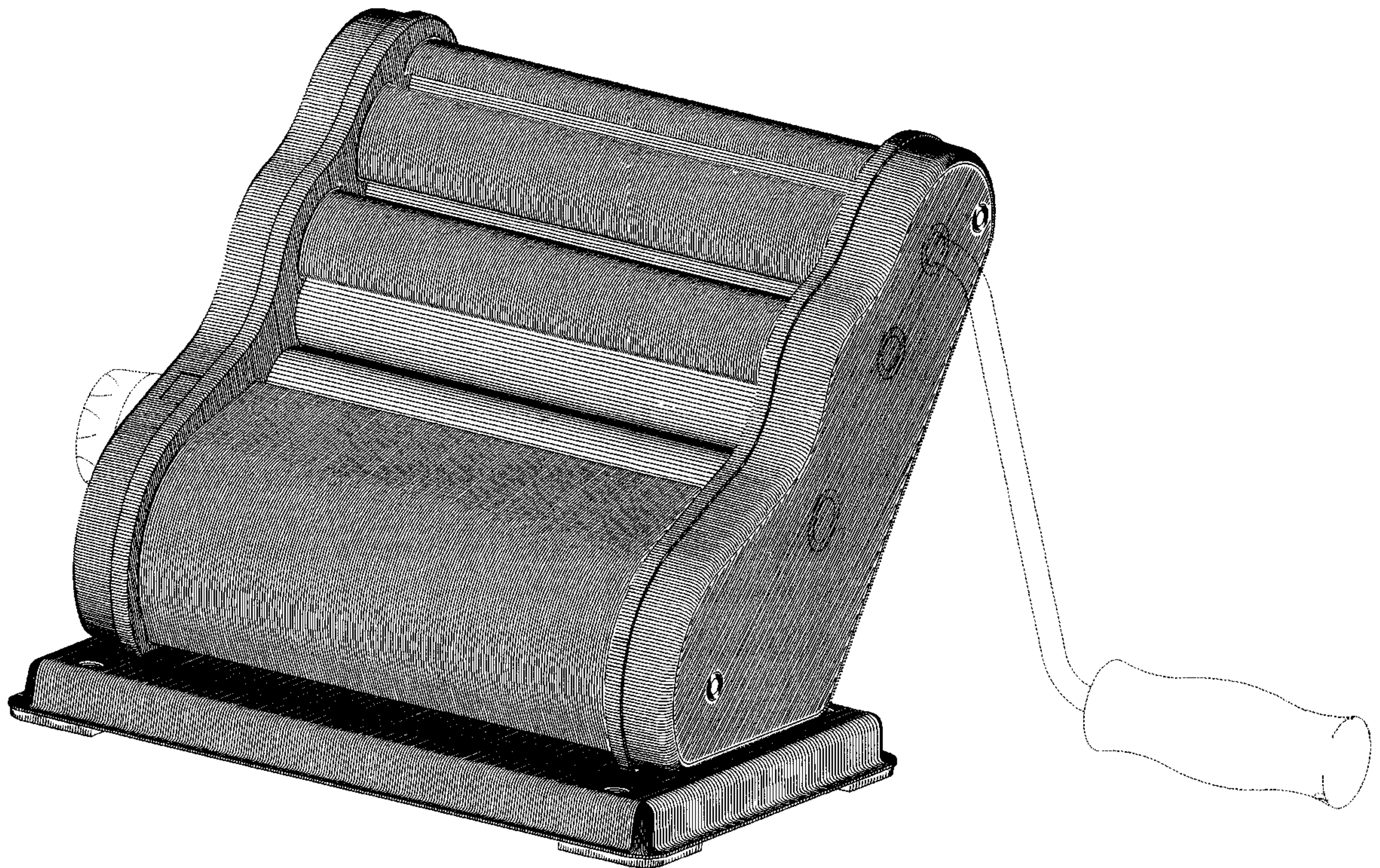
FIG. 1. Is a front elevational view of a manual pasta machine showing my new design;

FIG. 2. Is a right side elevational view thereof shown without the handle for ease of illustration; the left side is a mirror image thereof; and,

FIG. 3. Is a perspective view thereof; the rear of the manual pasta machine forms no part of the claimed design; the bottom is flat and unornamented.

The broken line showing in FIGS. 1 and 3 is for illustrative purposes only and forms no part of the claimed design.

1 Claim, 3 Drawing Sheets



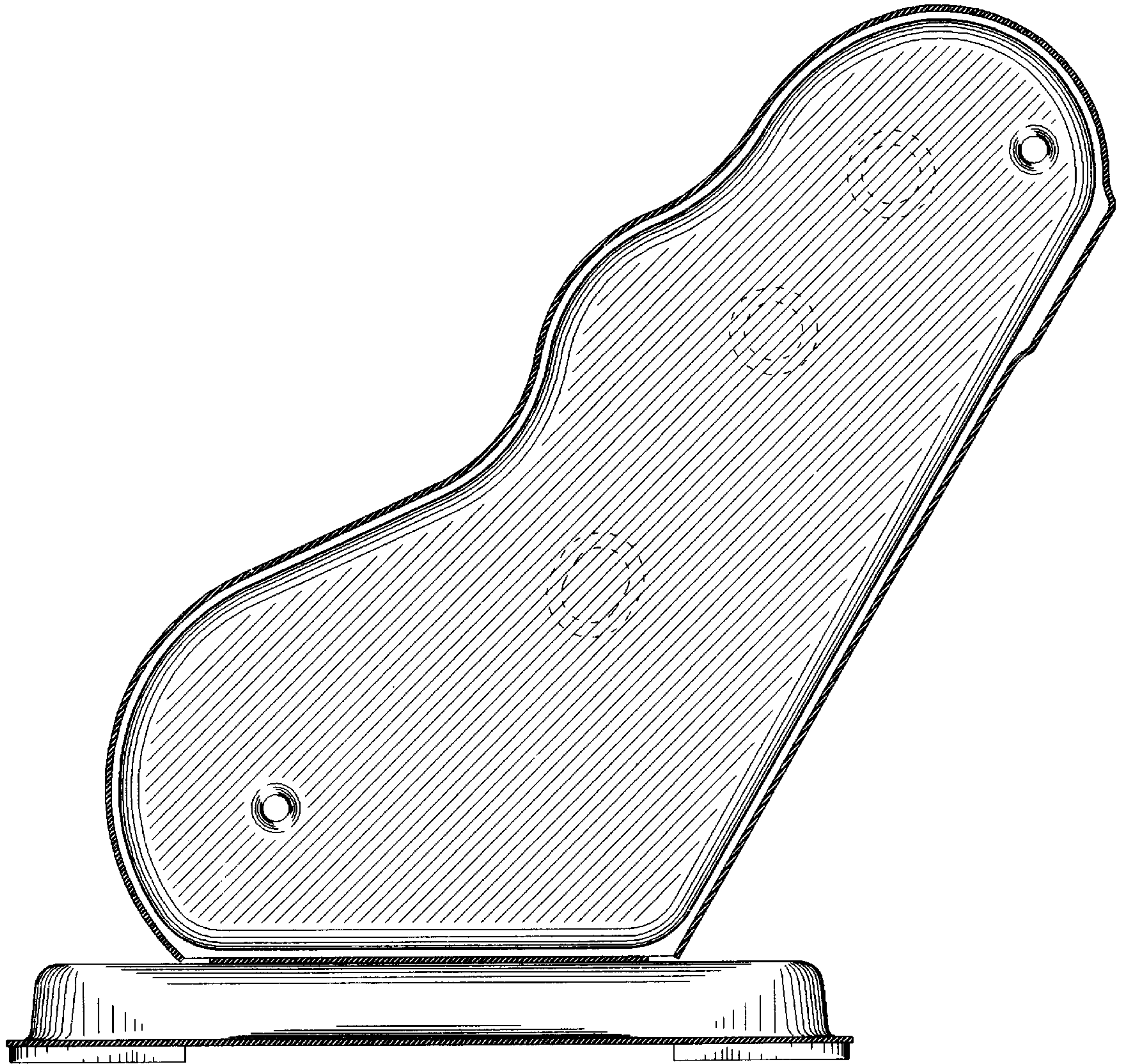


FIG. 1

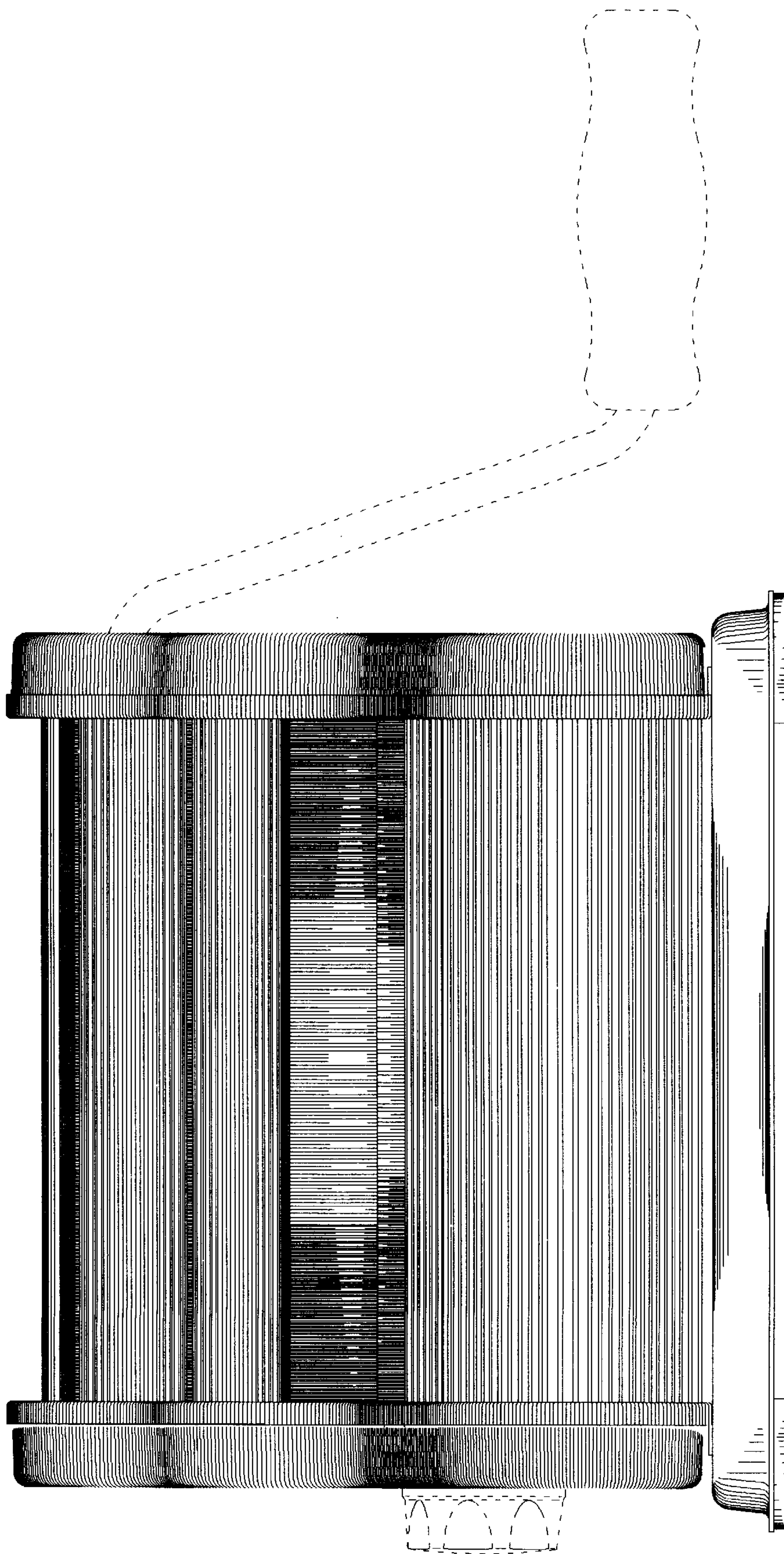


FIG. 2

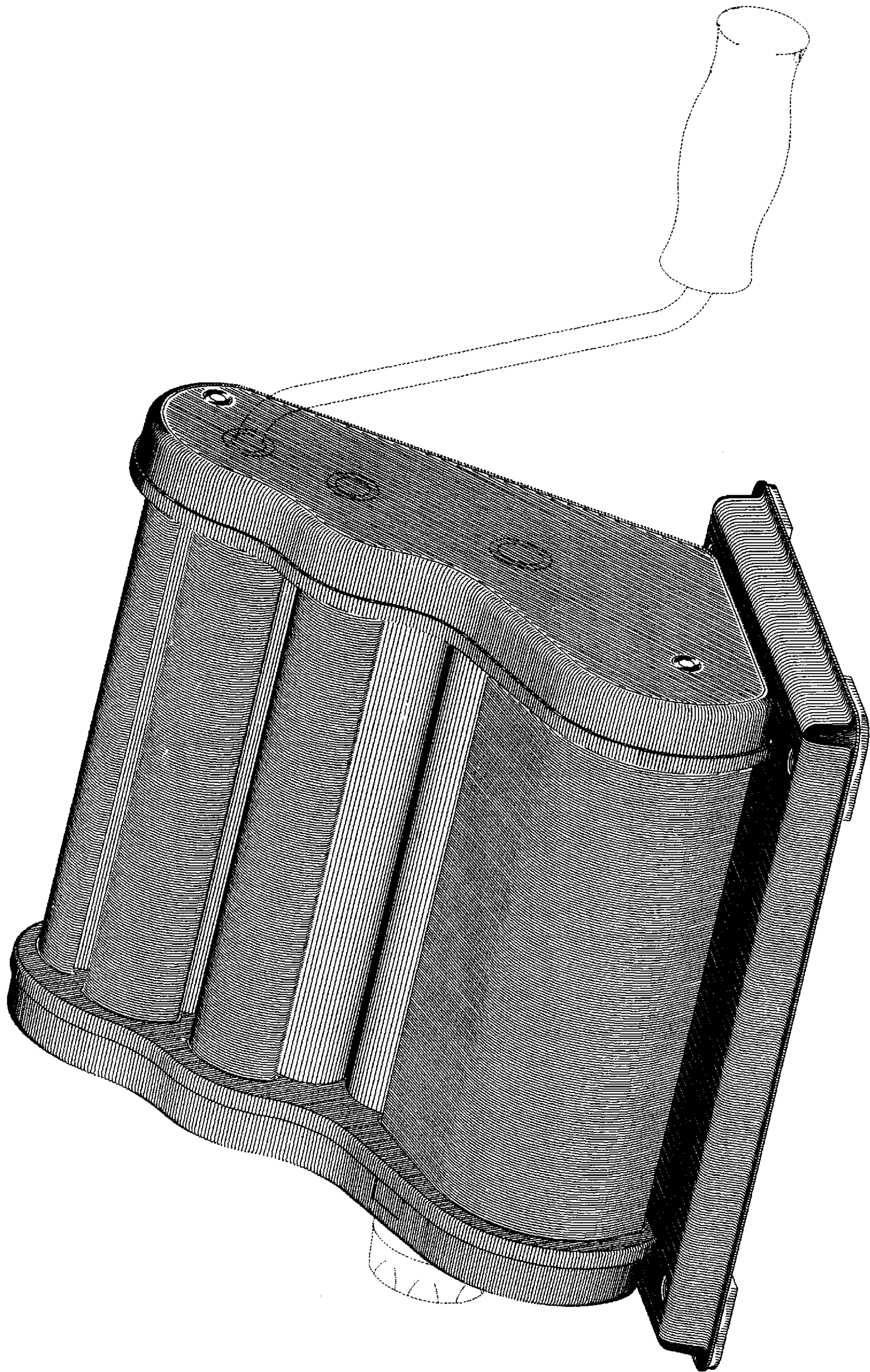


FIG. 3