



US00D444667S

(12) **United States Design Patent**
Wong et al.

(10) **Patent No.:** **US D444,667 S**

(45) **Date of Patent:** **** Jul. 10, 2001**

(54) **GRILL**

(75) Inventors: **Chok Wai Wong; Wai Leung Lin,**
both of Kowloon (HK)

(73) Assignee: **Eastern Sources Housewares (Hong Kong) Limited,** Hong Kong (HK)

(**) Term: **14 Years**

(21) Appl. No.: **29/110,538**

(22) Filed: **Sep. 9, 1999**

(51) **LOC (7) Cl.** **07-02**

(52) **U.S. Cl.** **D7/362**

(58) **Field of Search** D7/332, 337, 362-367,
D7/402, 407, 352; 99/392, 399, 401, 422-423,
443 R, 427, 338, 331, 445-446, 450, 341;
219/450.1, 532-533, 429, 432, 443.1

(56) **References Cited**

U.S. PATENT DOCUMENTS

- D. 248,079 * 6/1978 Painter et al. D7/360
- D. 349,421 * 8/1994 Goad D7/366
- D. 351,083 * 10/1994 O'Brien et al. D7/363
- D. 380,342 * 7/1997 Edmonds D7/363

- D. 409,041 * 5/1999 Barker D7/362
- D. 424,367 * 5/2000 Choi D7/363
- D. 431,152 * 9/2000 Lee D7/362
- 5,656,188 * 8/1997 Janowiak et al. 219/438
- 6,064,042 * 5/2000 Glucksman et al. 219/452.13

* cited by examiner

Primary Examiner—Ruth McInroy

(74) *Attorney, Agent, or Firm*—Burns, Doane, Swecker & Mathis, L.L.P.

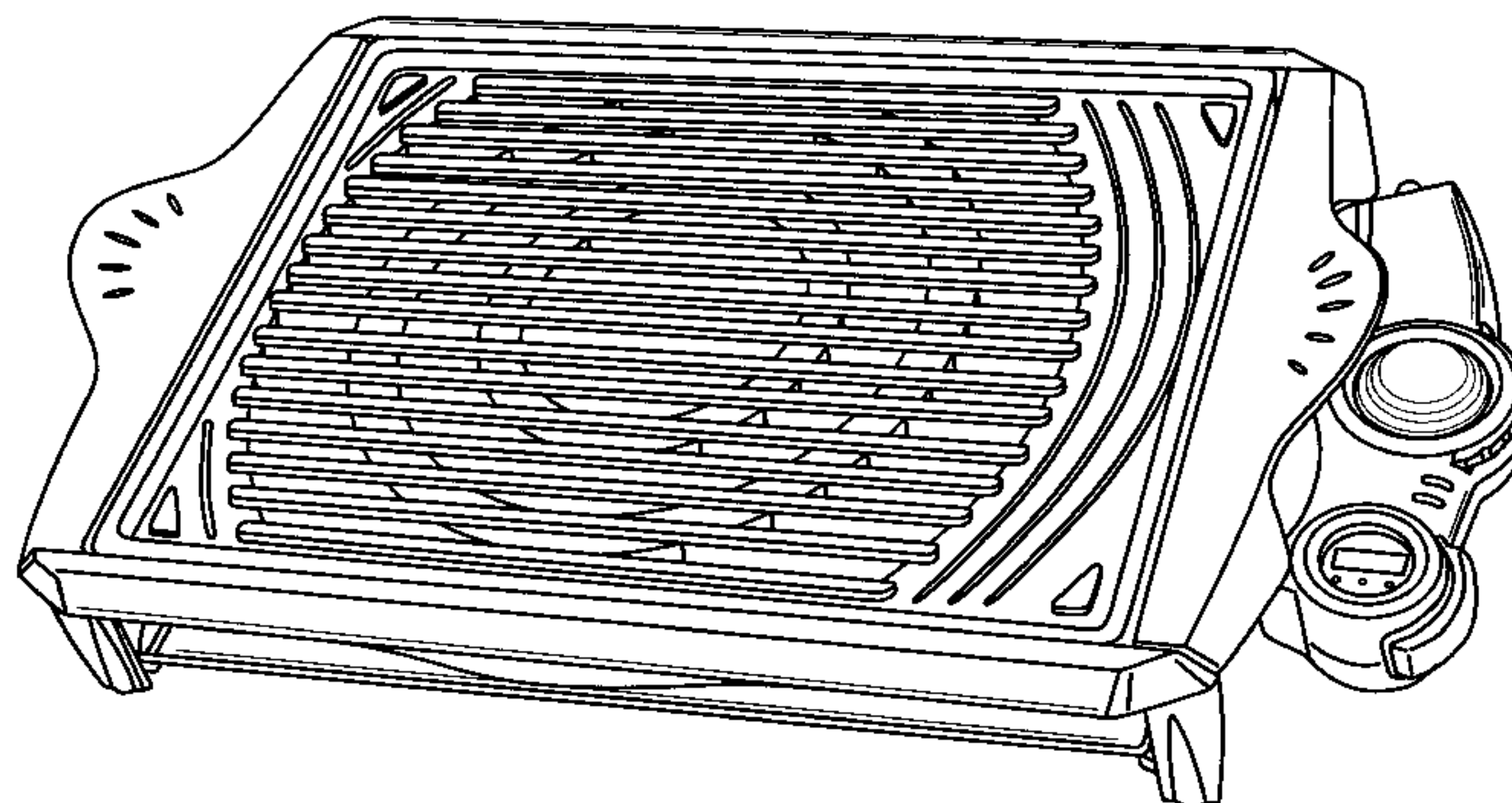
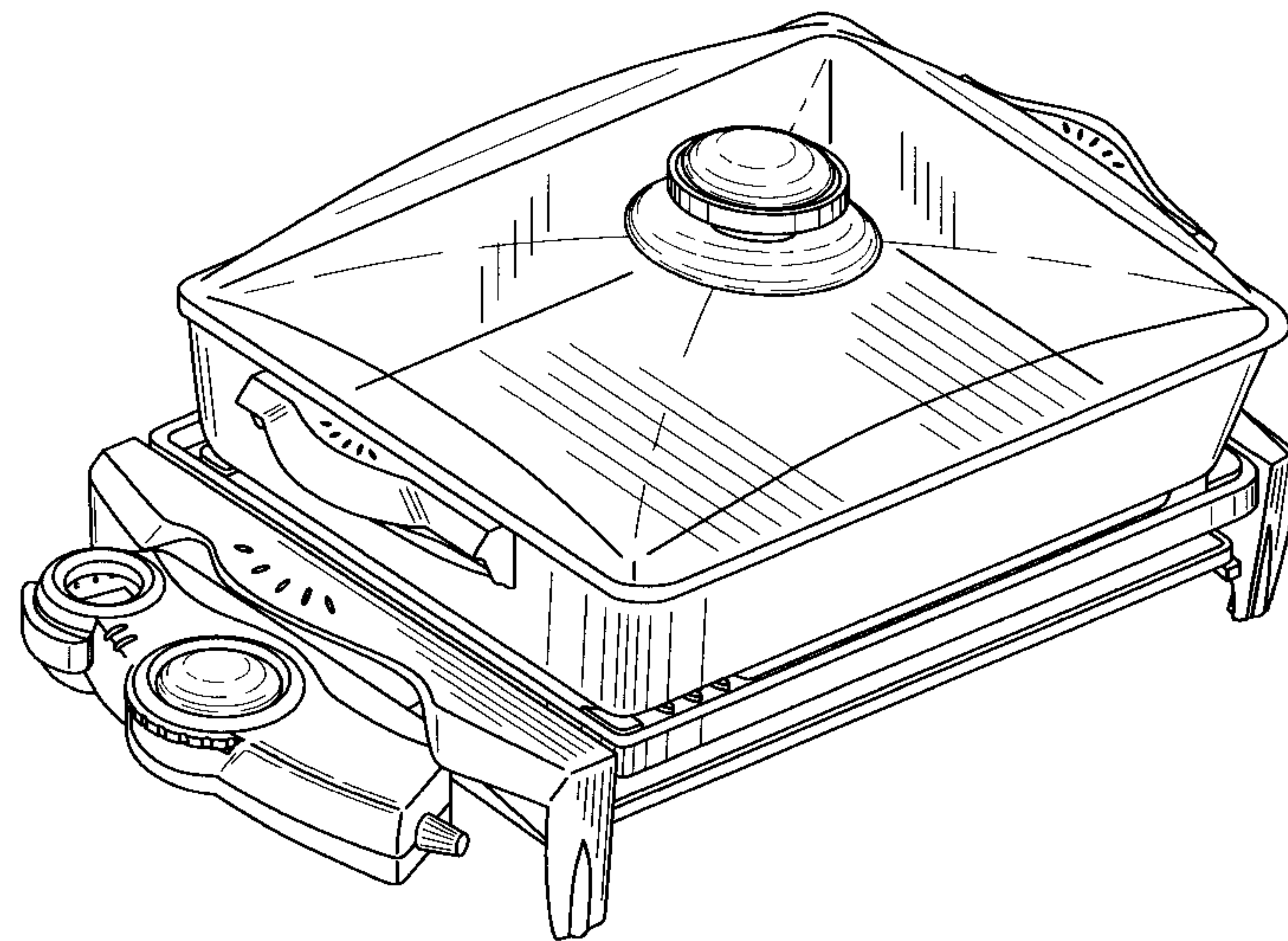
(57) **CLAIM**

The ornamental design for a “grill”, as shown and described.

DESCRIPTION

FIG. 1 is a perspective view of a “grill” showing our new design;
 FIG. 2 is a front view thereof;
 FIG. 3 is a rear view thereof;
 FIG. 4 is a side view thereof;
 FIG. 5 is the other side view thereof;
 FIG. 6 is a top plan view thereof; and,
 FIG. 7 is a perspective view thereof with the fry pan removed for clarity of illustration.

1 Claim, 7 Drawing Sheets



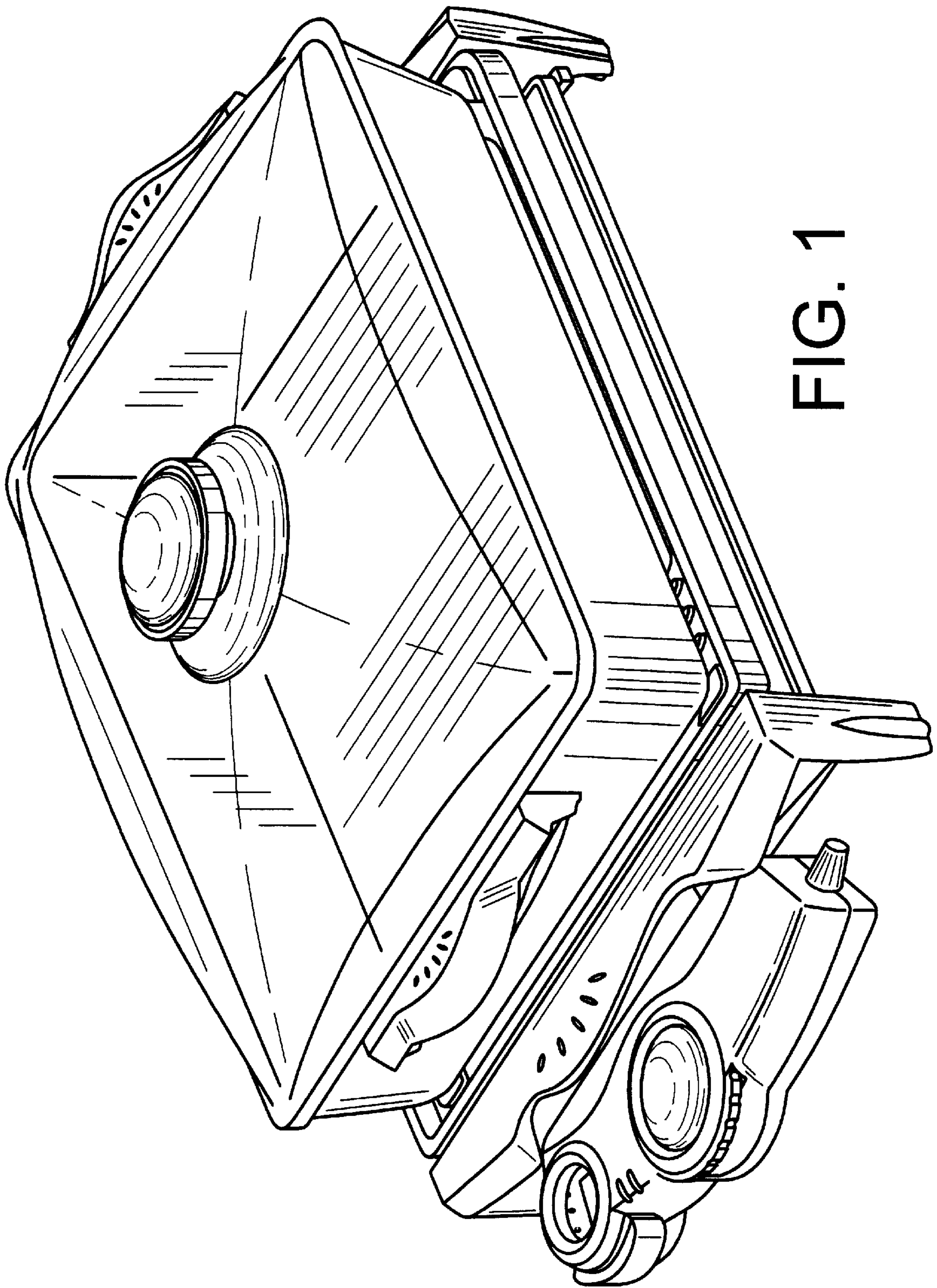


FIG. 1

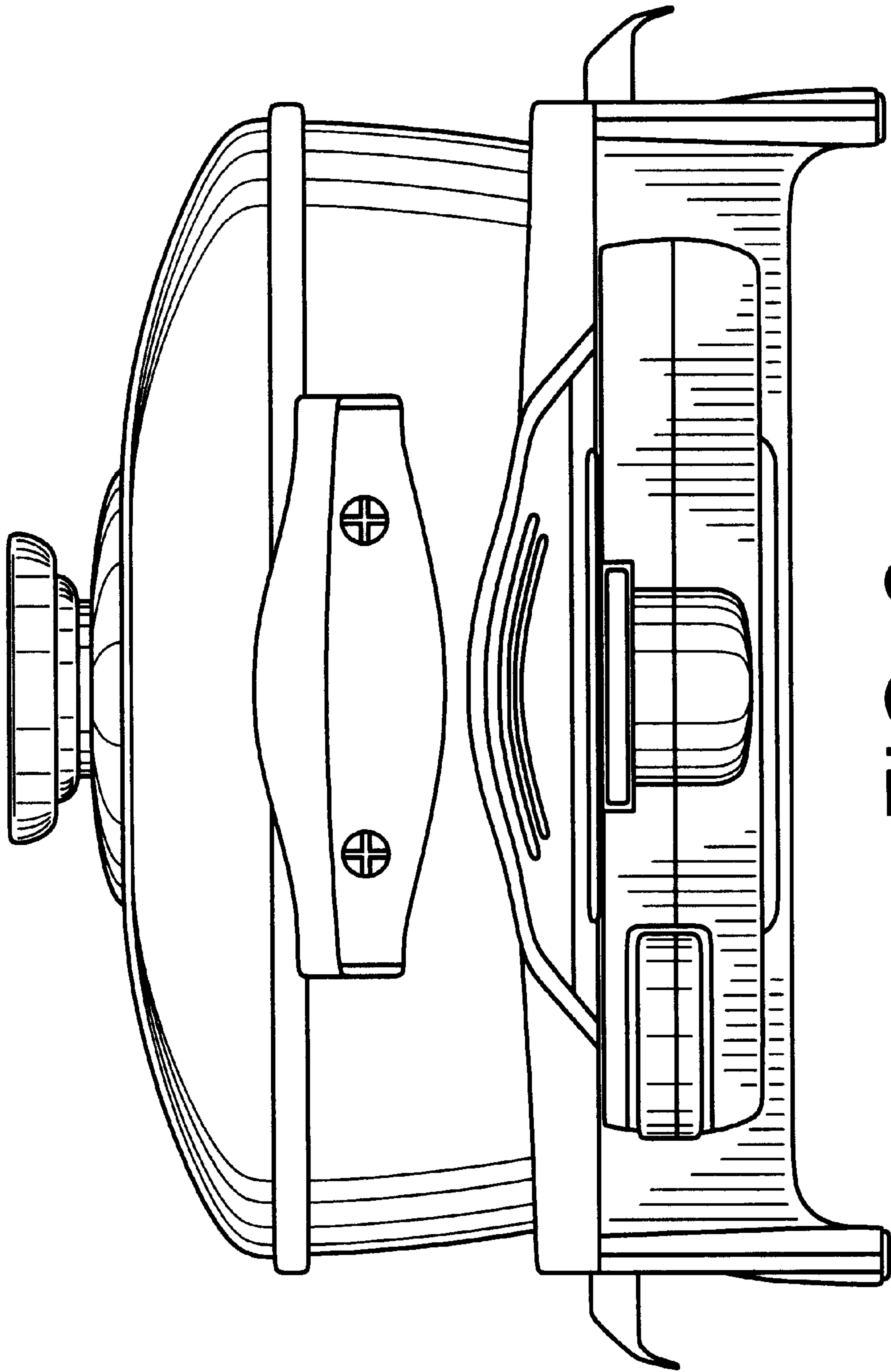


FIG. 2

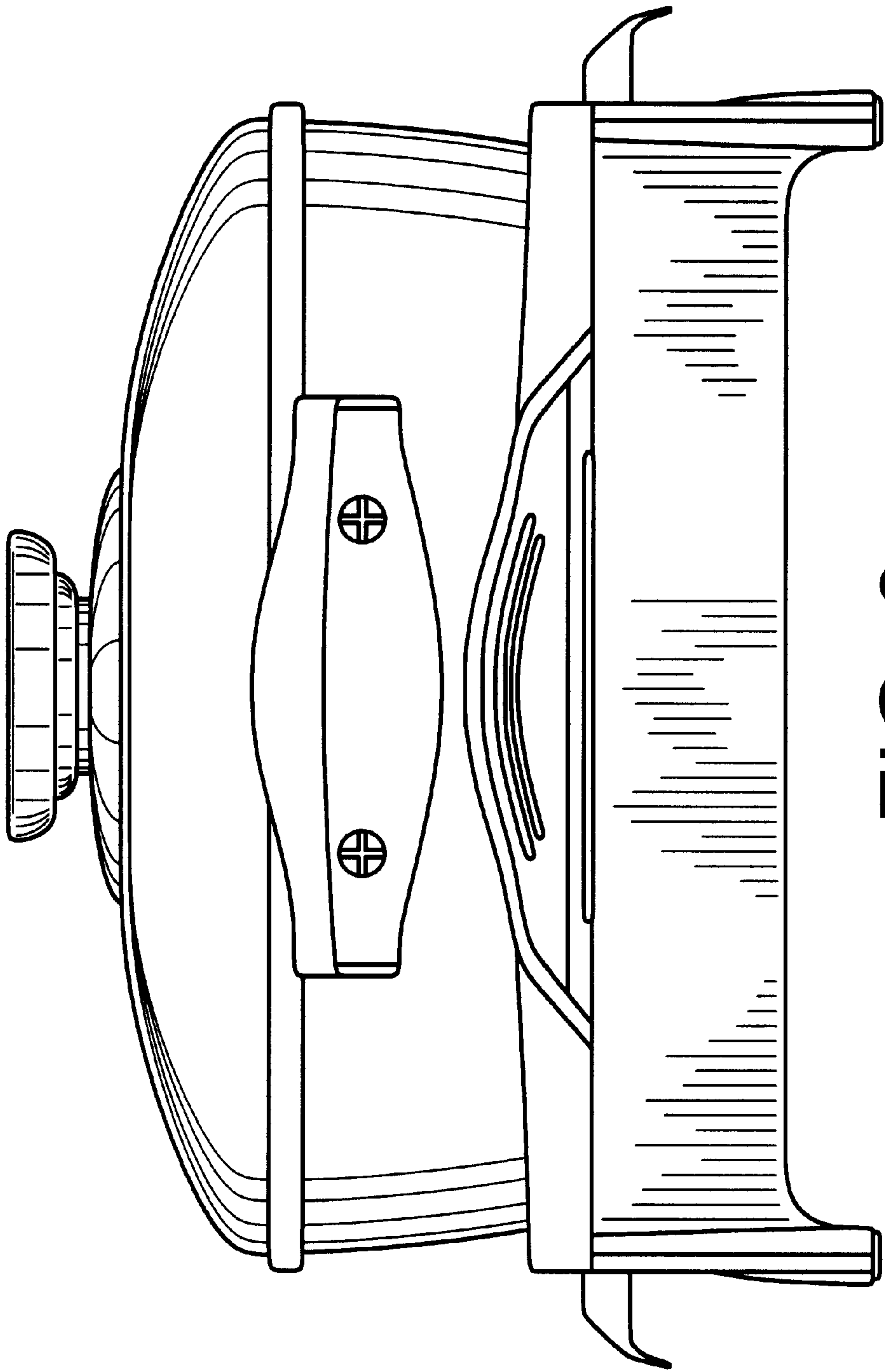


FIG. 3

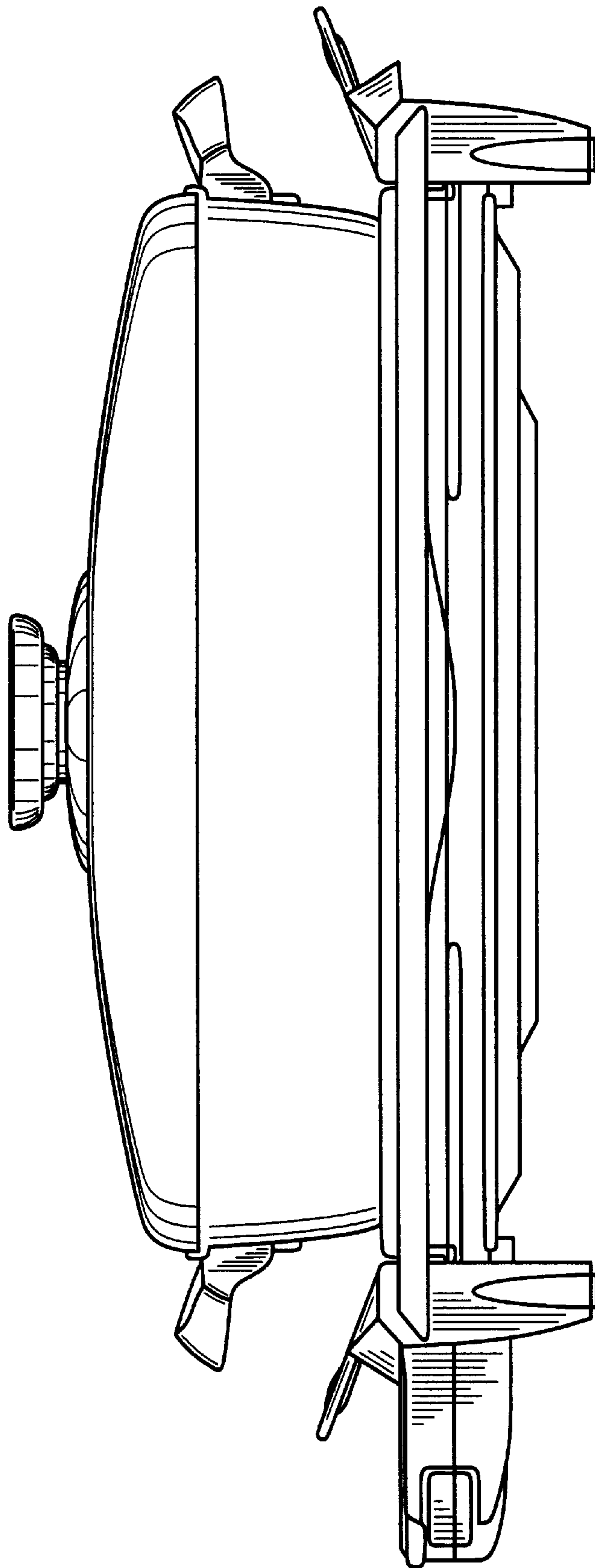


FIG. 4

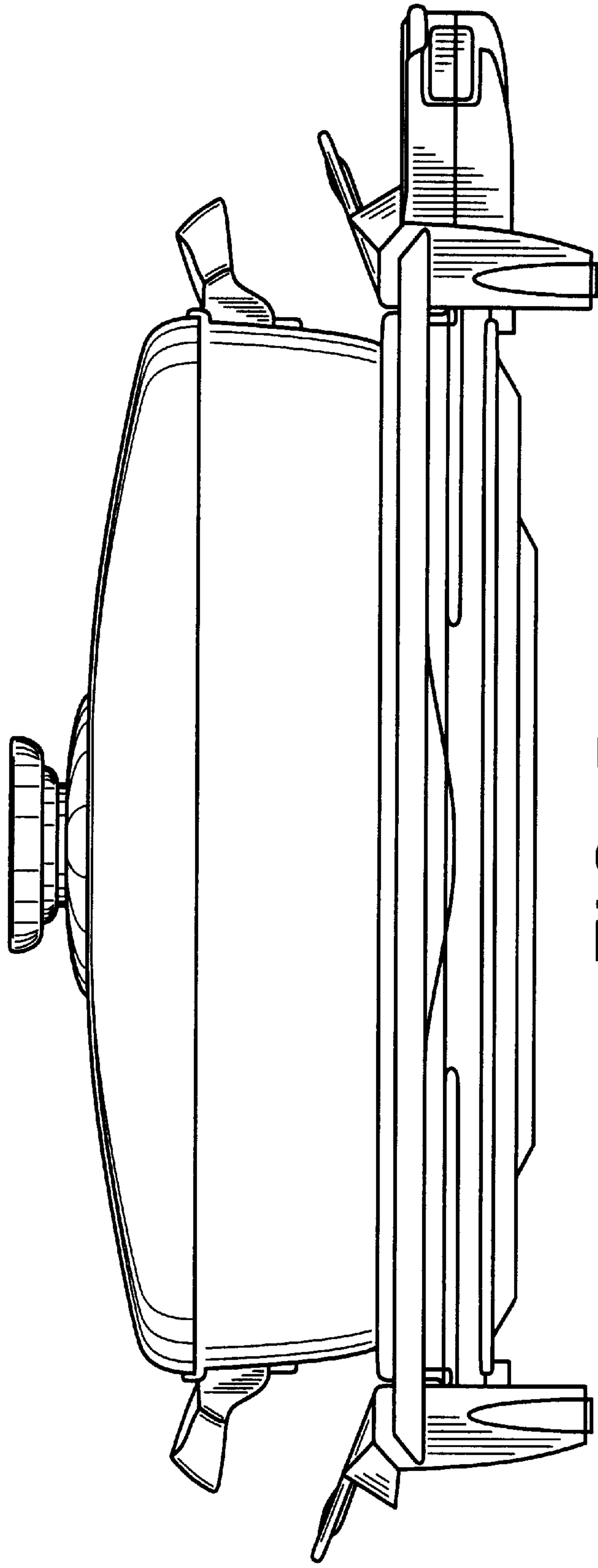


FIG. 5

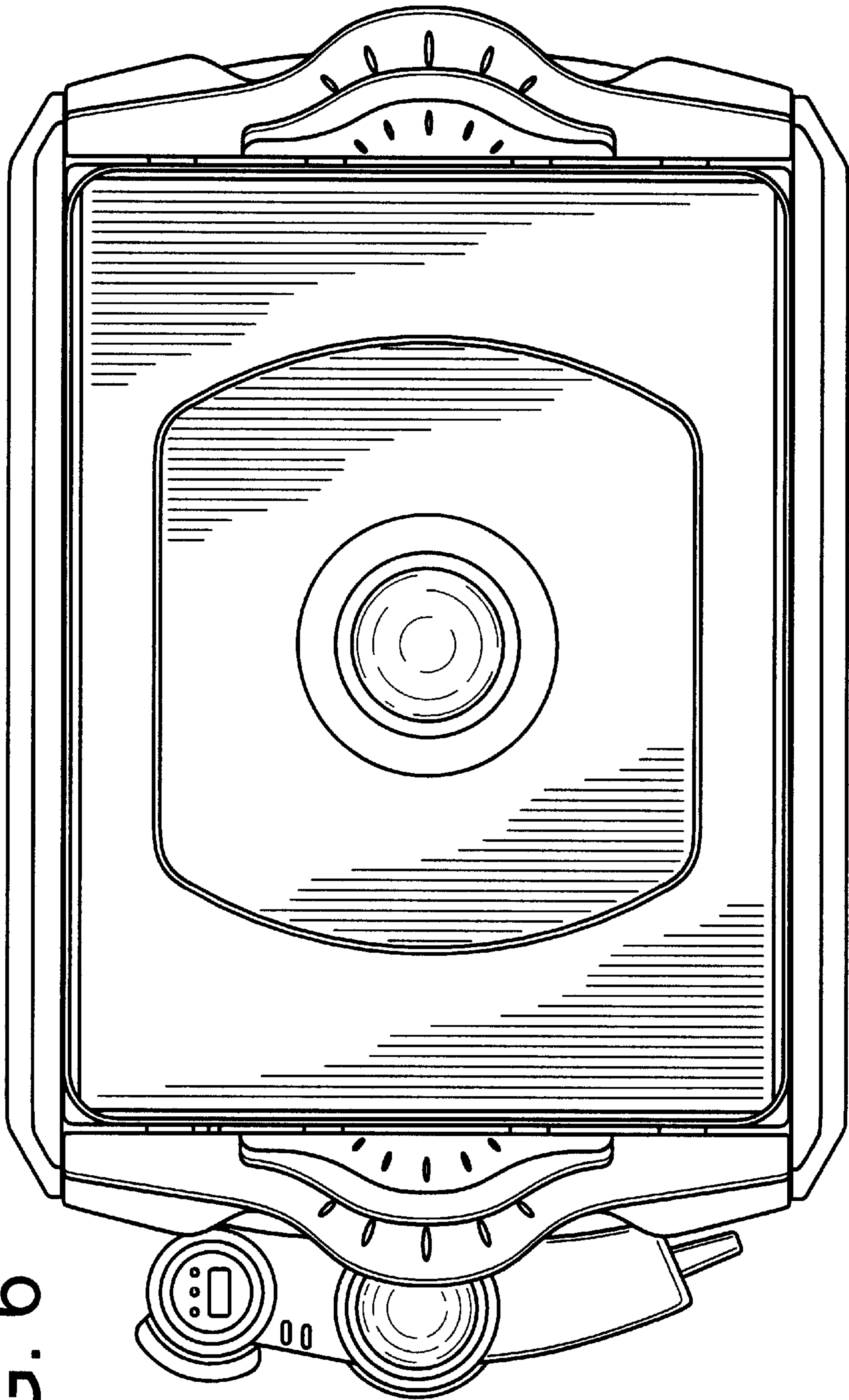


FIG. 6

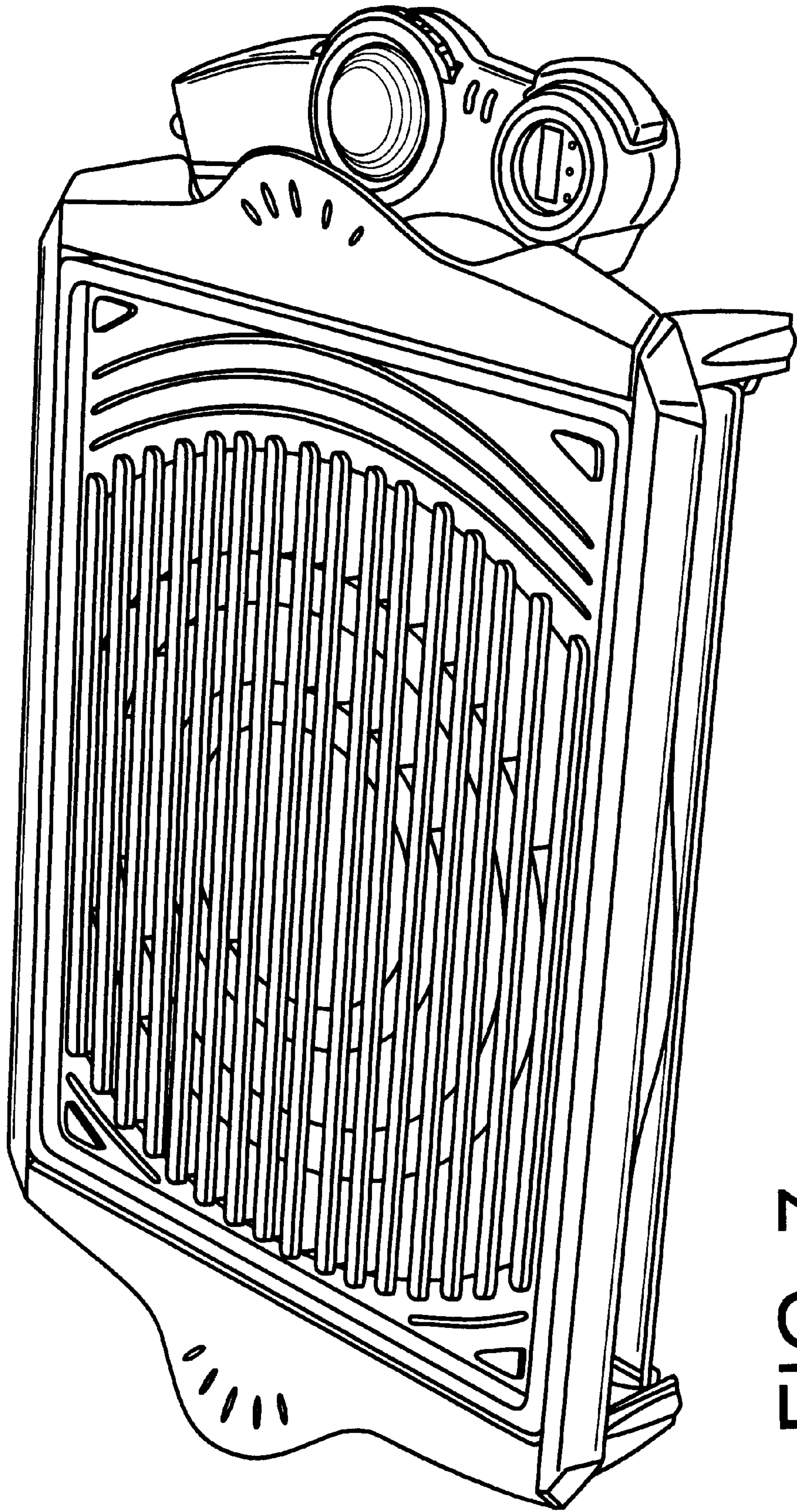


FIG. 7