



US00D444666S

(12) **United States Design Patent**
Kalina et al.

(10) **Patent No.:** **US D444,666 S**

(45) **Date of Patent:** **** Jul. 10, 2001**

(54) **ELECTRIC DEEP FRYER WITH DIVIDER**

D. 431,150	9/2000	Kalina et al.	D7/354
471,517 *	3/1892	Barry et al.	220/526
4,052,590	10/1977	Anderl et al. .	
4,115,918	9/1978	Anderl et al. .	

(75) Inventors: **Lawrence A. Kalina**, Eau Claire, WI (US); **Richard C. Schoenert**, Sherwood, OR (US)

OTHER PUBLICATIONS

(73) Assignee: **National Presto Industries, Inc.**, Eau Claire, WI (US)

Photographs of a FRY DADDY® deep fryer by National Presto Industries, Inc.

(**) Term: **14 Years**

* cited by examiner

(21) Appl. No.: **29/133,269**

Primary Examiner—Caron D. Veynar

(22) Filed: **Nov. 27, 2000**

(74) *Attorney, Agent, or Firm*—Merchant & Gould P.C.

(51) **LOC (7) Cl.** **07-02**

(52) **U.S. Cl.** **D7/360**

(58) **Field of Search** D7/323, 354-361;
99/324, 336, 341, 403; 220/526

(57) **CLAIM**

The ornamental design for an electric deep fryer with divider, as shown and described.

(56) **References Cited**

DESCRIPTION

U.S. PATENT DOCUMENTS

D. 172,552 *	7/1954	Perl et al.	D7/360
D. 185,614 *	6/1959	Reading	D7/326
D. 246,686	12/1977	Boldt	D7/354
D. 250,385	11/1978	Babros et al.	D7/360
D. 292,362	10/1987	Oh	D7/360
D. 376,724	12/1996	Mendelson et al.	D7/360
D. 395,787 *	7/1998	Wilks	D7/357

FIG. 1 is a perspective view of an electric deep fryer with divider showing our new design;
FIG. 2 is a front elevational view thereof, the rear elevational view being a mirror image;
FIG. 3 is a top plan view thereof;
FIG. 4 is a bottom plan view thereof;
FIG. 5 is a left elevational side view thereof; and,
FIG. 6 is a right side elevational view thereof.

1 Claim, 6 Drawing Sheets

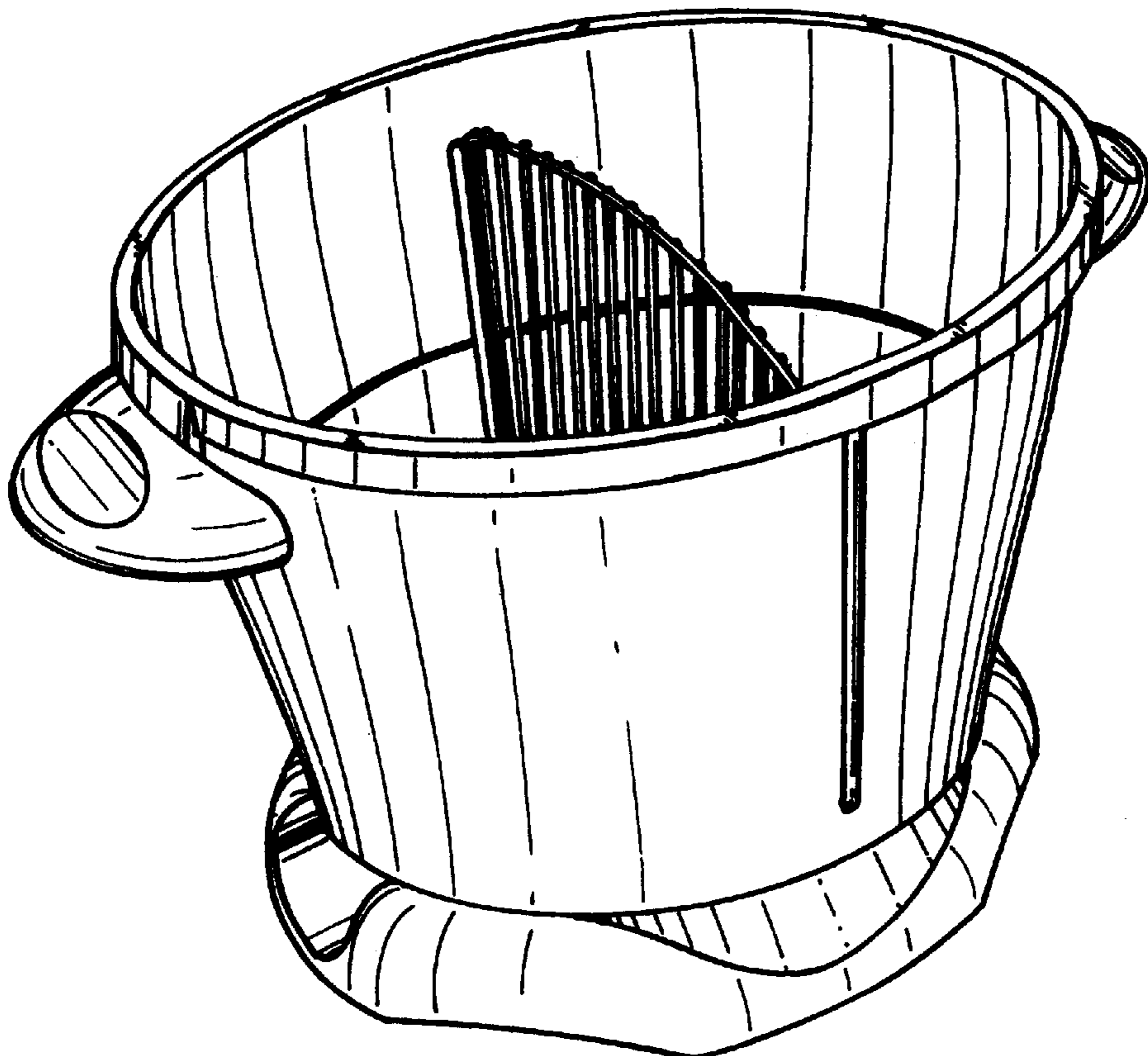


FIG. 1

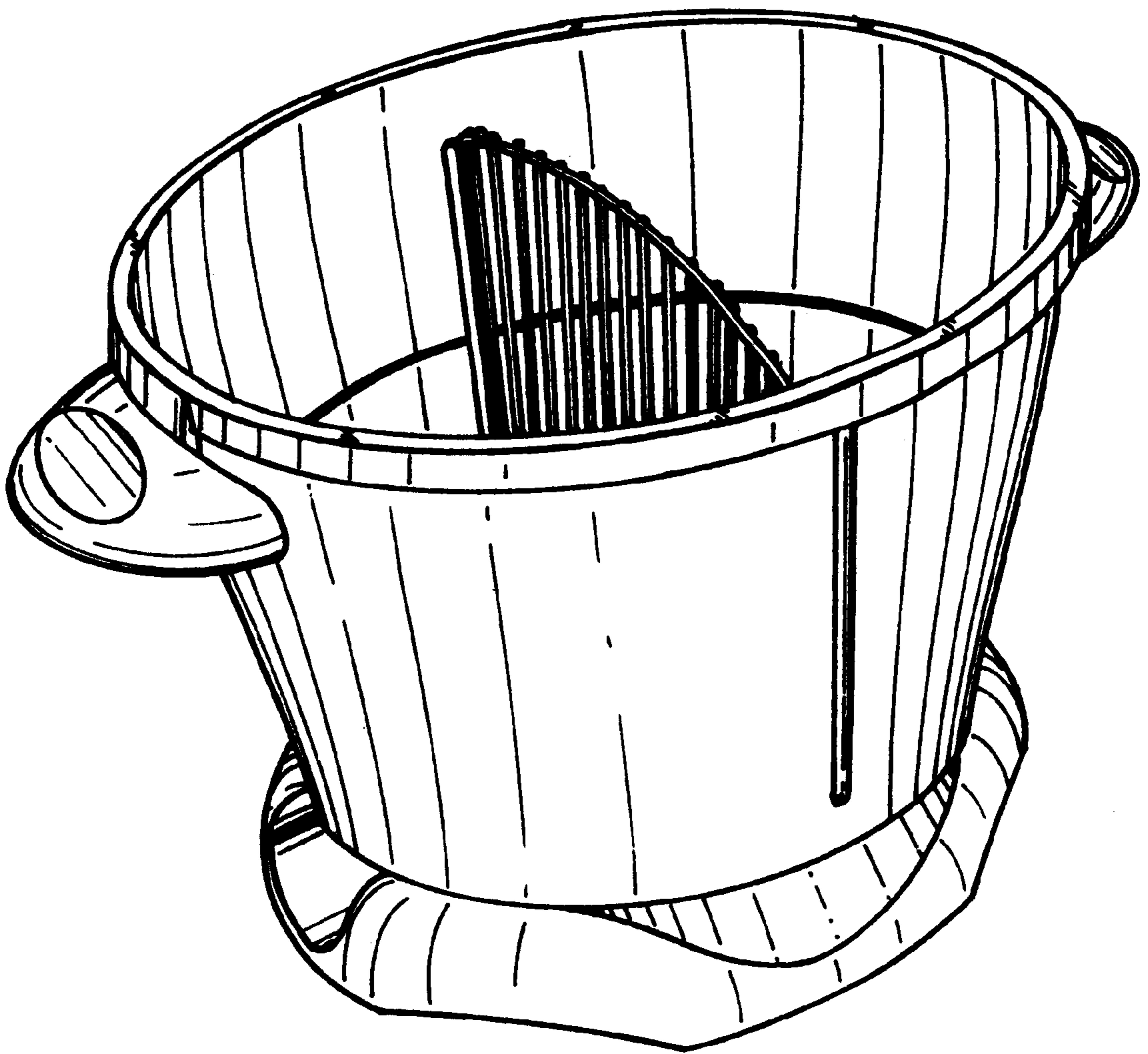


FIG. 2

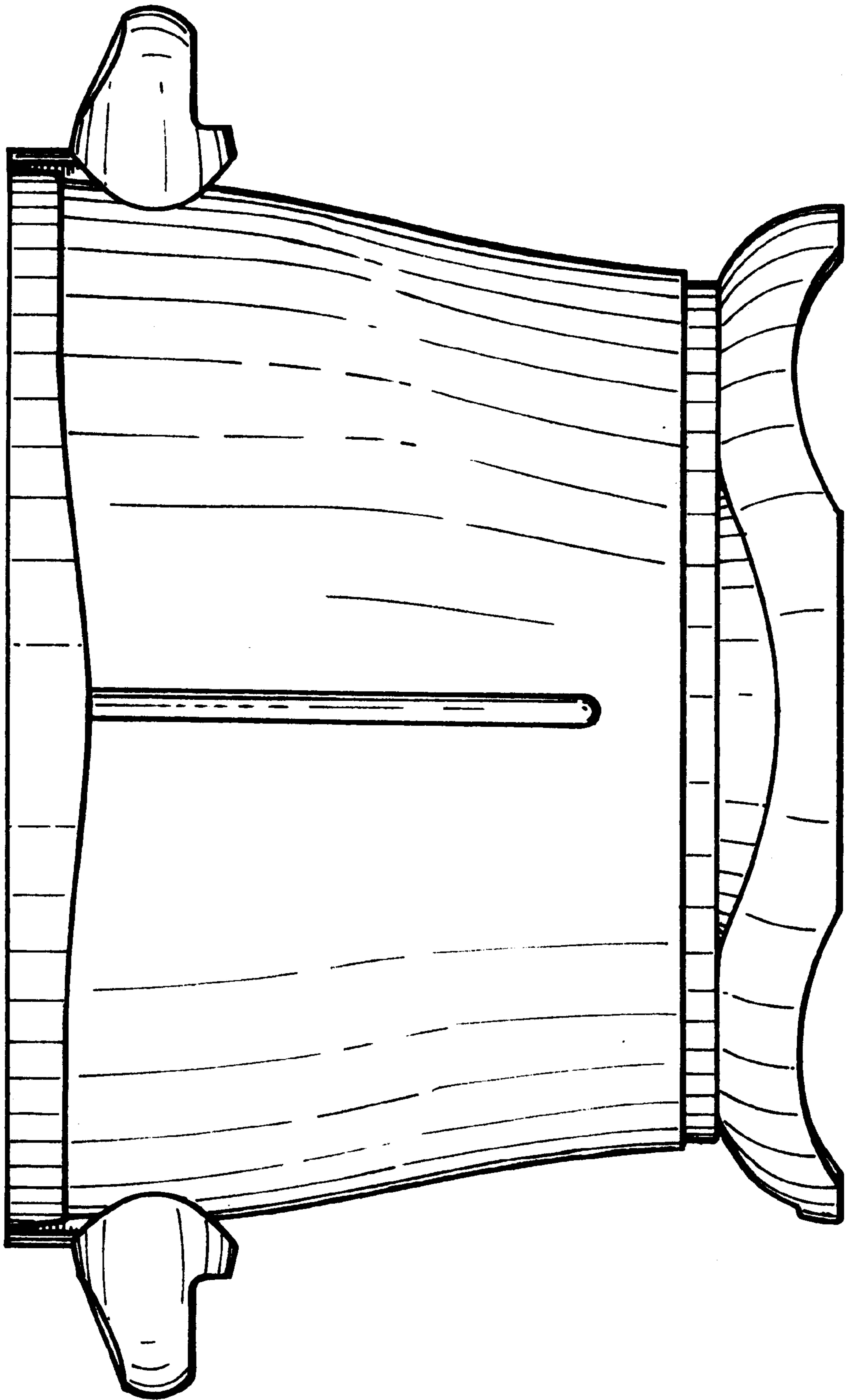


FIG. 3

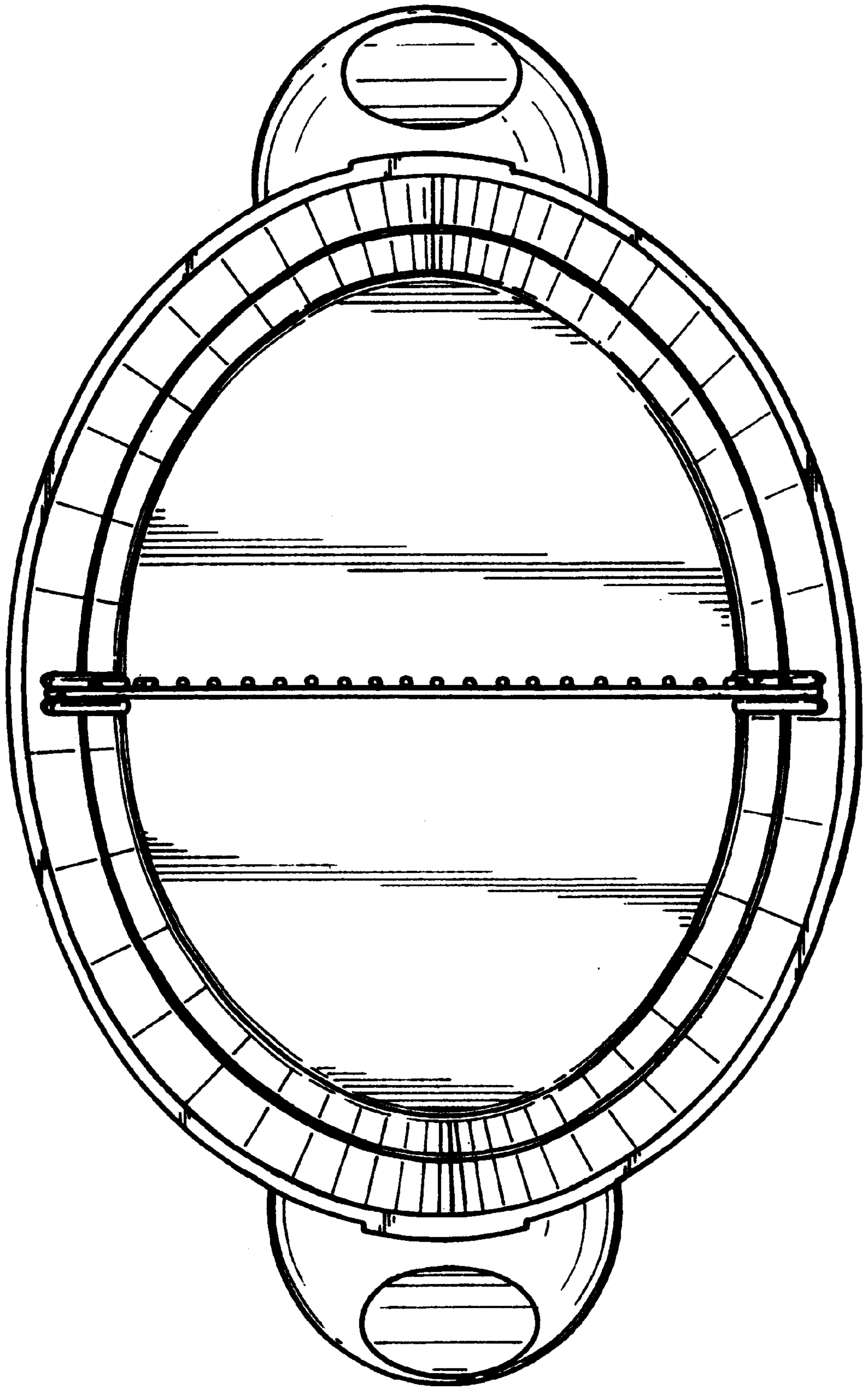


FIG. 4

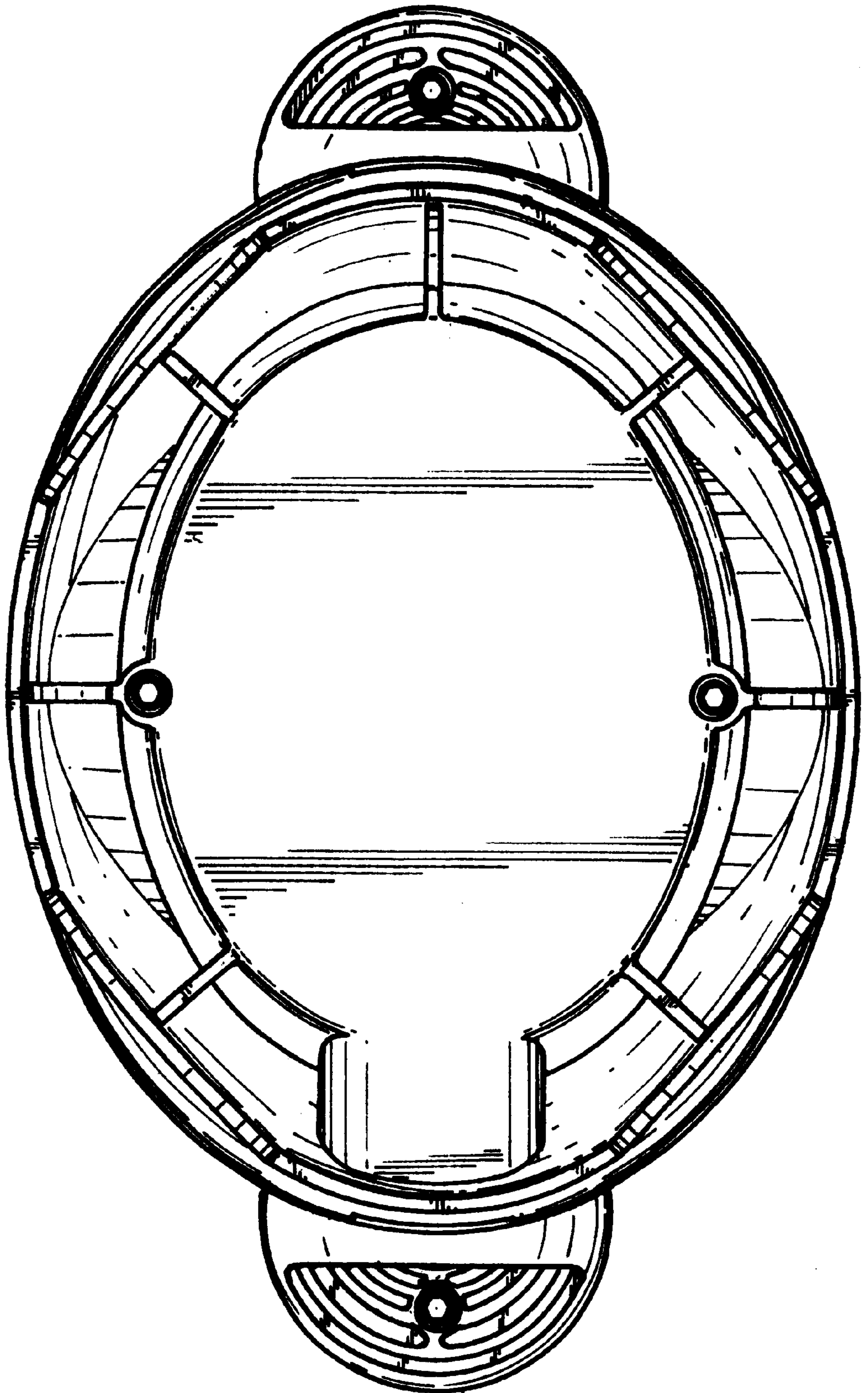


FIG. 5

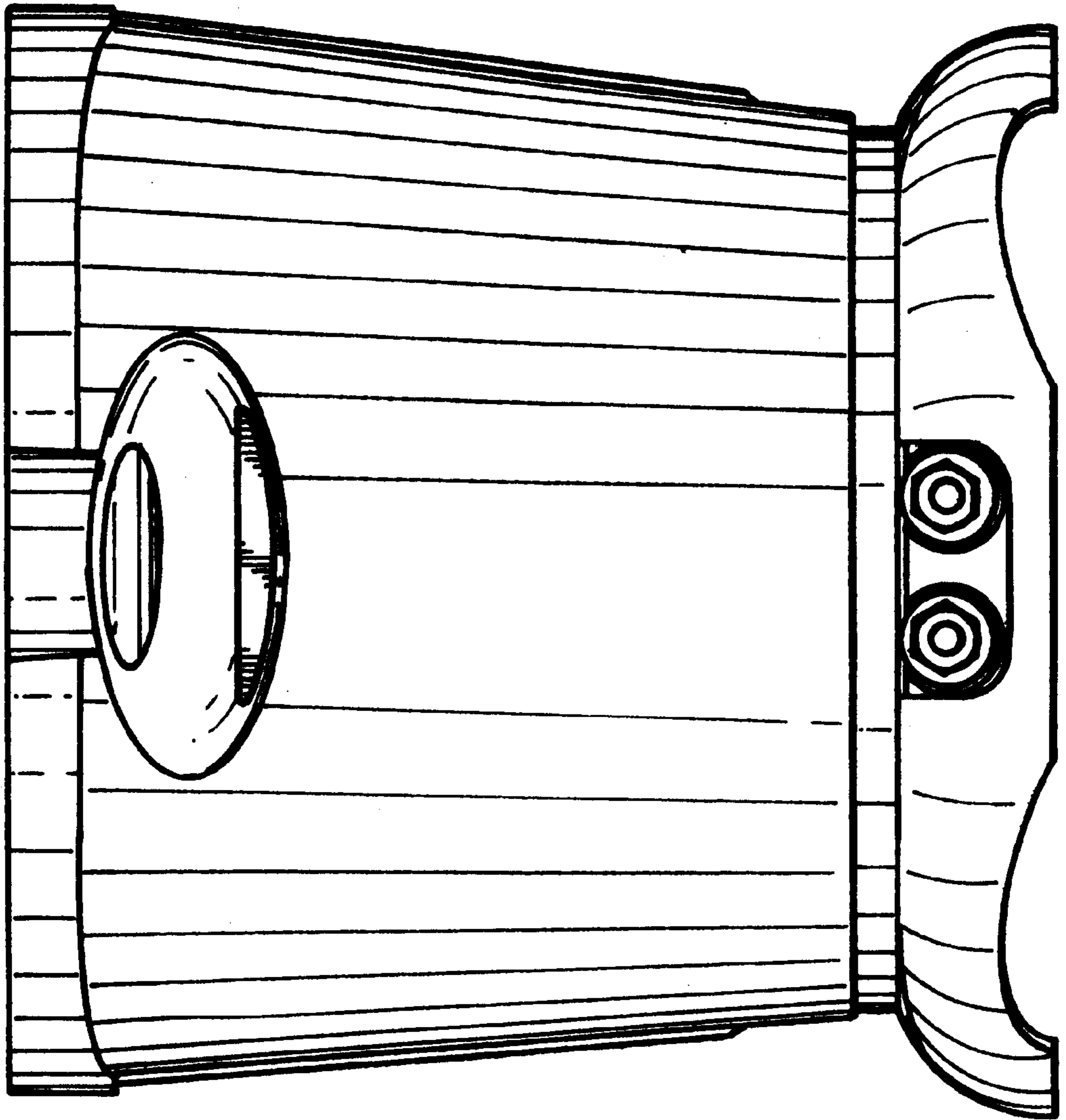


FIG. 6

