



US00D444664S

(12) **United States Design Patent**
Dobson et al.

(10) **Patent No.:** **US D444,664 S**

(45) **Date of Patent:** **** *Jul. 10, 2001**

(54) **COOKER**

D. 429,596 * 8/2000 Hlava et al. D7/360

* cited by examiner

(75) Inventors: **William C. Dobson; Scott T. Pollnow,**
both of West Bend, WI (US)

Primary Examiner—Caron D. Veynar

(73) Assignee: **Premark WB Holdings, Inc.,**
Wilmington, DE (US)

(74) *Attorney, Agent, or Firm*—Michael Best & Friedrich
LLP

(*) Notice: This patent is subject to a terminal dis-
claimer.

(57) **CLAIM**

The ornamental design for a cooker, as shown and described.

(**) Term: **14 Years**

DESCRIPTION

(21) Appl. No.: **29/120,882**

FIG. 1 is a perspective view of a cooker constructed in
accordance with one preferred embodiment of the invention;
FIG. 2 is an elevation view of the front of the cooker shown
in FIG. 1;

(22) Filed: **Mar. 28, 2000**

FIG. 3 is an elevation view of the rear of the cooker shown
in FIGS. 1 and 2;

(51) **LOC (7) Cl.** **07-02**

(52) **U.S. Cl.** **D7/354**

FIG. 4 is an elevation view of the right of the cooker shown
in FIGS. 1, 2 and 3;

(58) **Field of Search** D7/323, 354-361;
99/324, 325, 340, 347, 403, 413, 419, 410,
411

FIG. 5 is an elevation view of the left of the cooker shown
in FIGS. 1, 2, 3 and 4;

(56) **References Cited**

U.S. PATENT DOCUMENTS

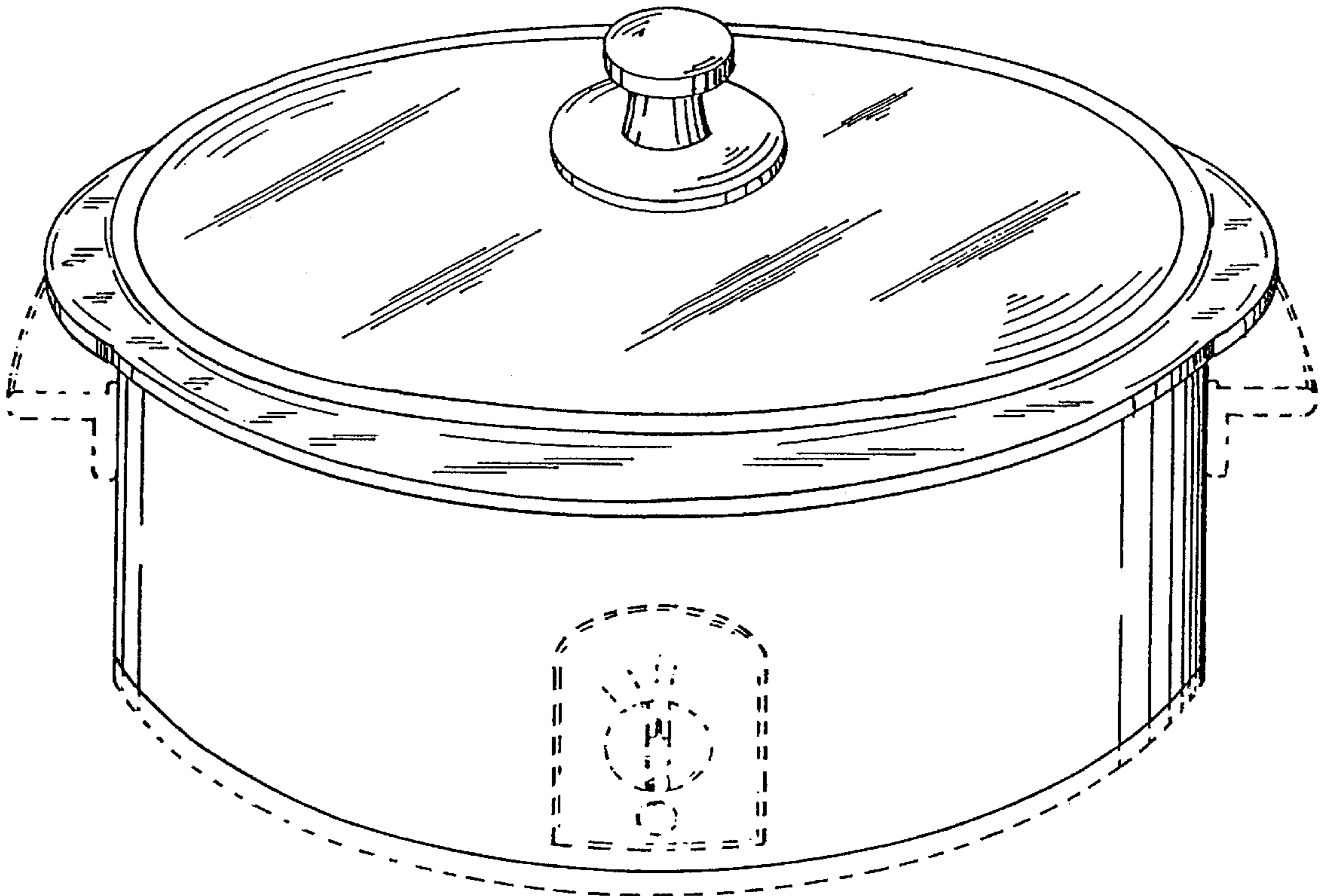
- D. 104,914 * 6/1937 Coss D7/360
- D. 416,434 * 11/1999 Pollnow D7/360
- D. 420,246 * 2/2000 Alonge et al. D7/360
- D. 425,360 * 5/2000 Dobson et al. D7/360

FIG. 6 is a top plan view of the cooker shown in FIGS. 1,
2, 3, 4 and 5; and,

FIG. 7 is a bottom plan view of the cooker shown in FIGS.
1, 2, 3, 4, 5 and 6.

The broken line showings in FIGS. 1-7 are for illustrative
purposes only and form no part of the claimed design.

1 Claim, 7 Drawing Sheets



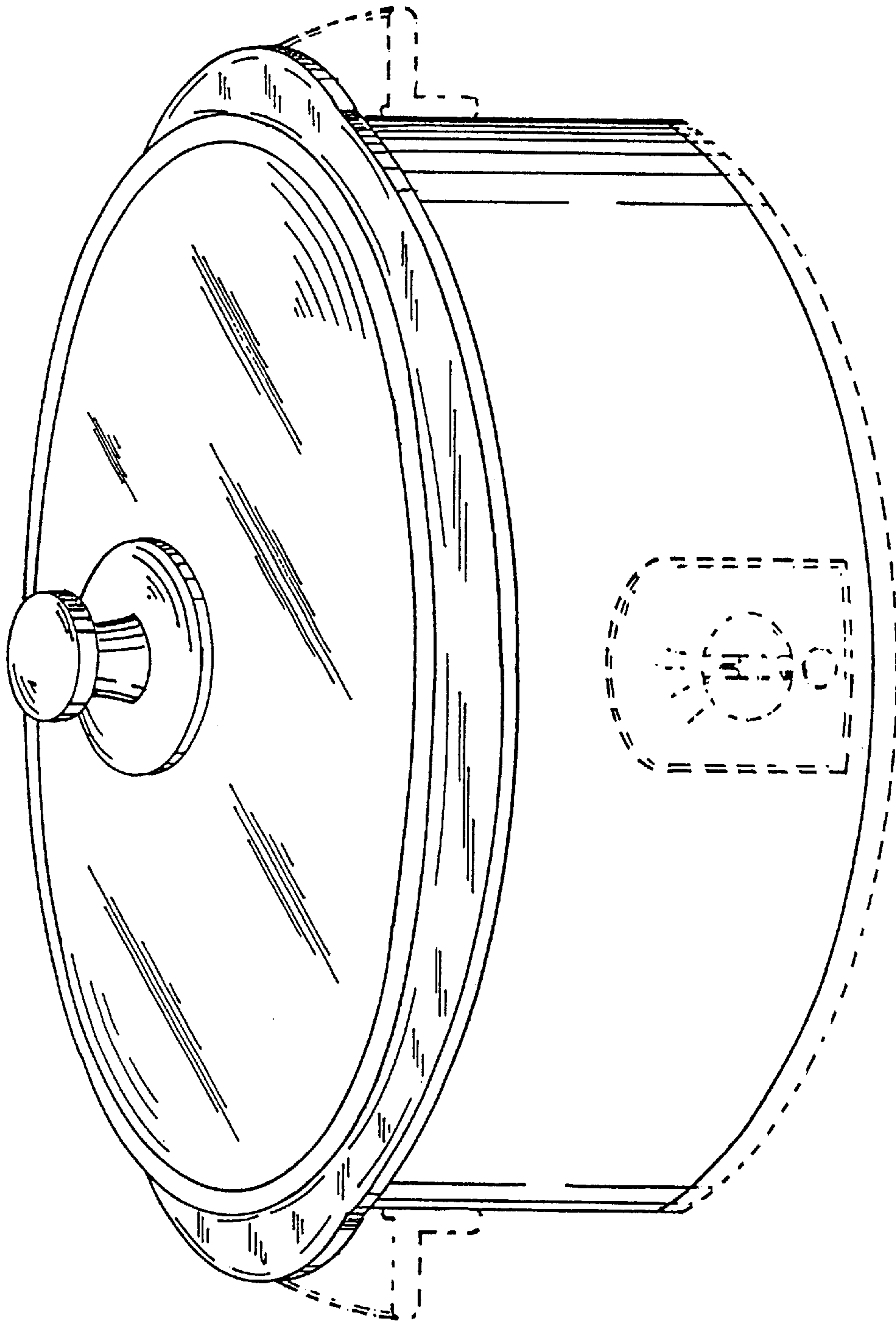


Fig. 1

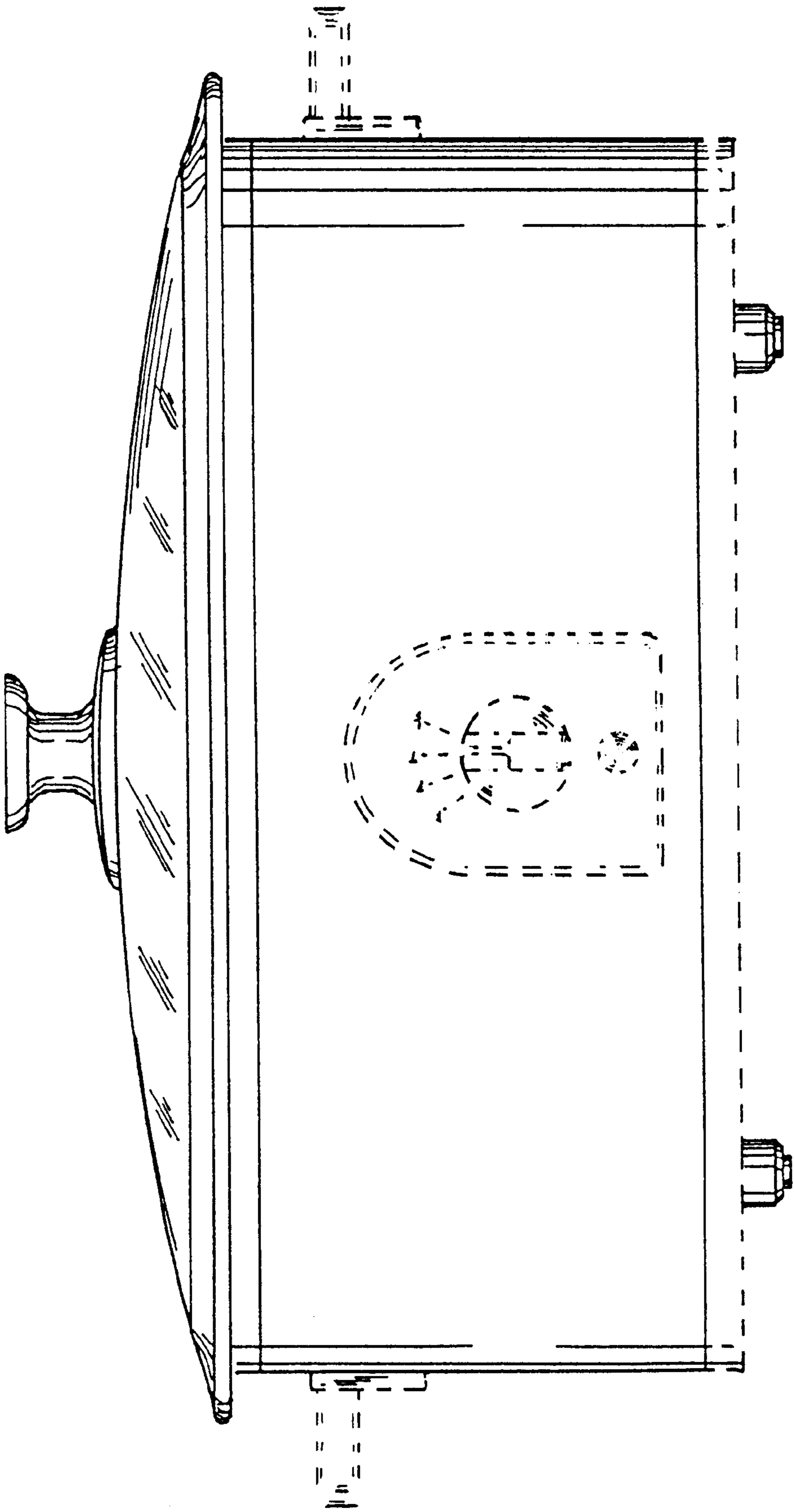


Fig. 2

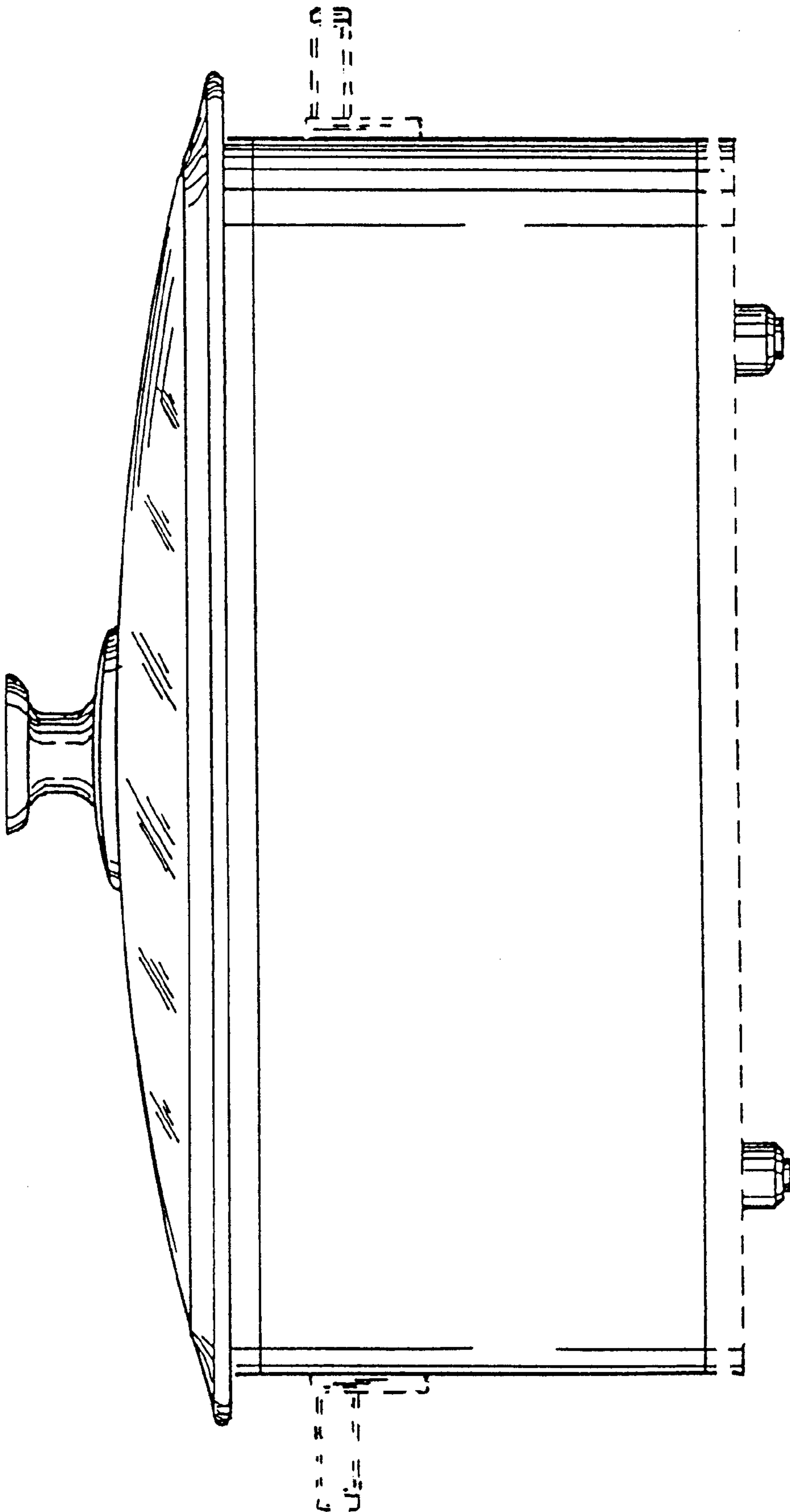


Fig. 3

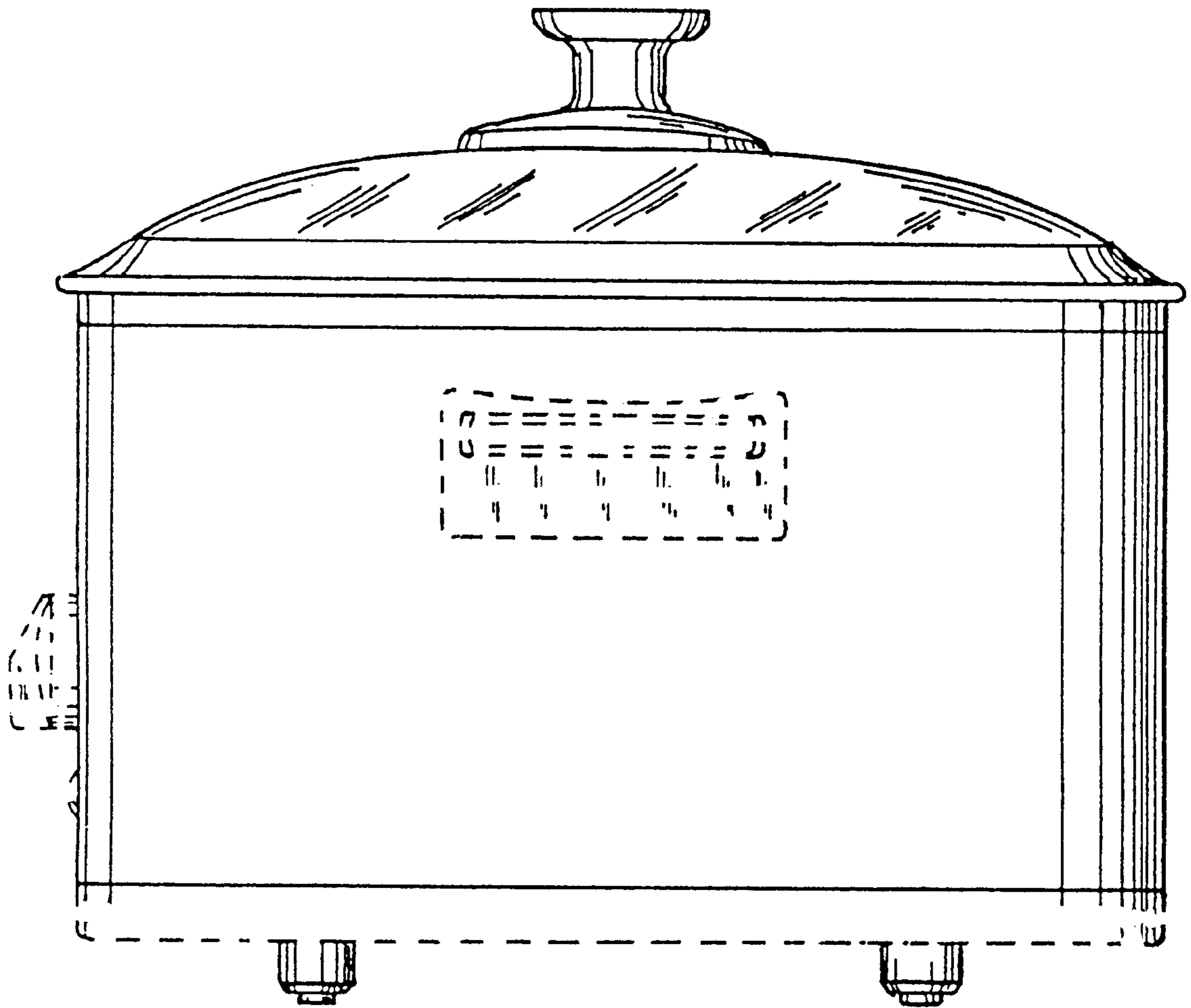


Fig. 4

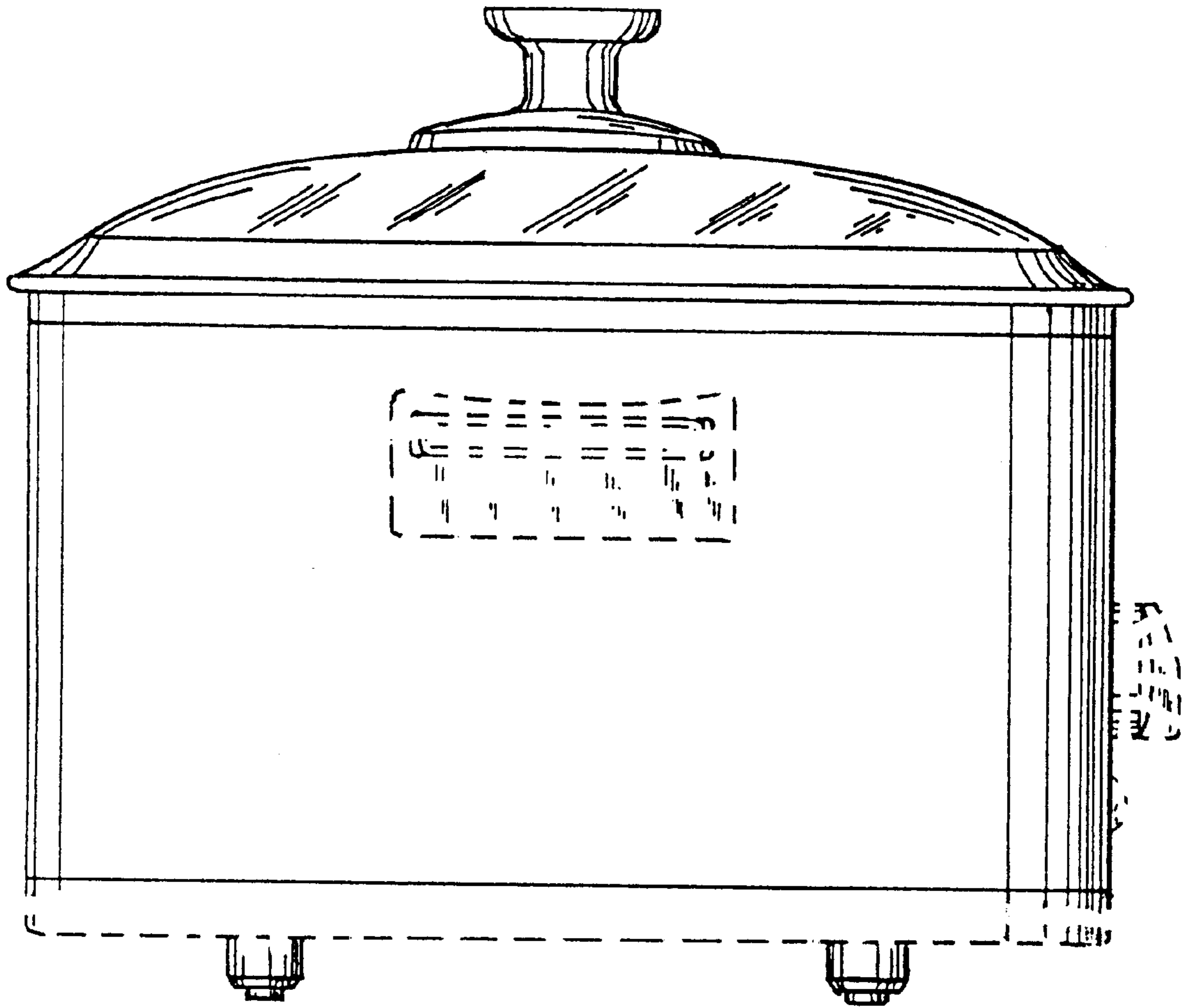


Fig. 5

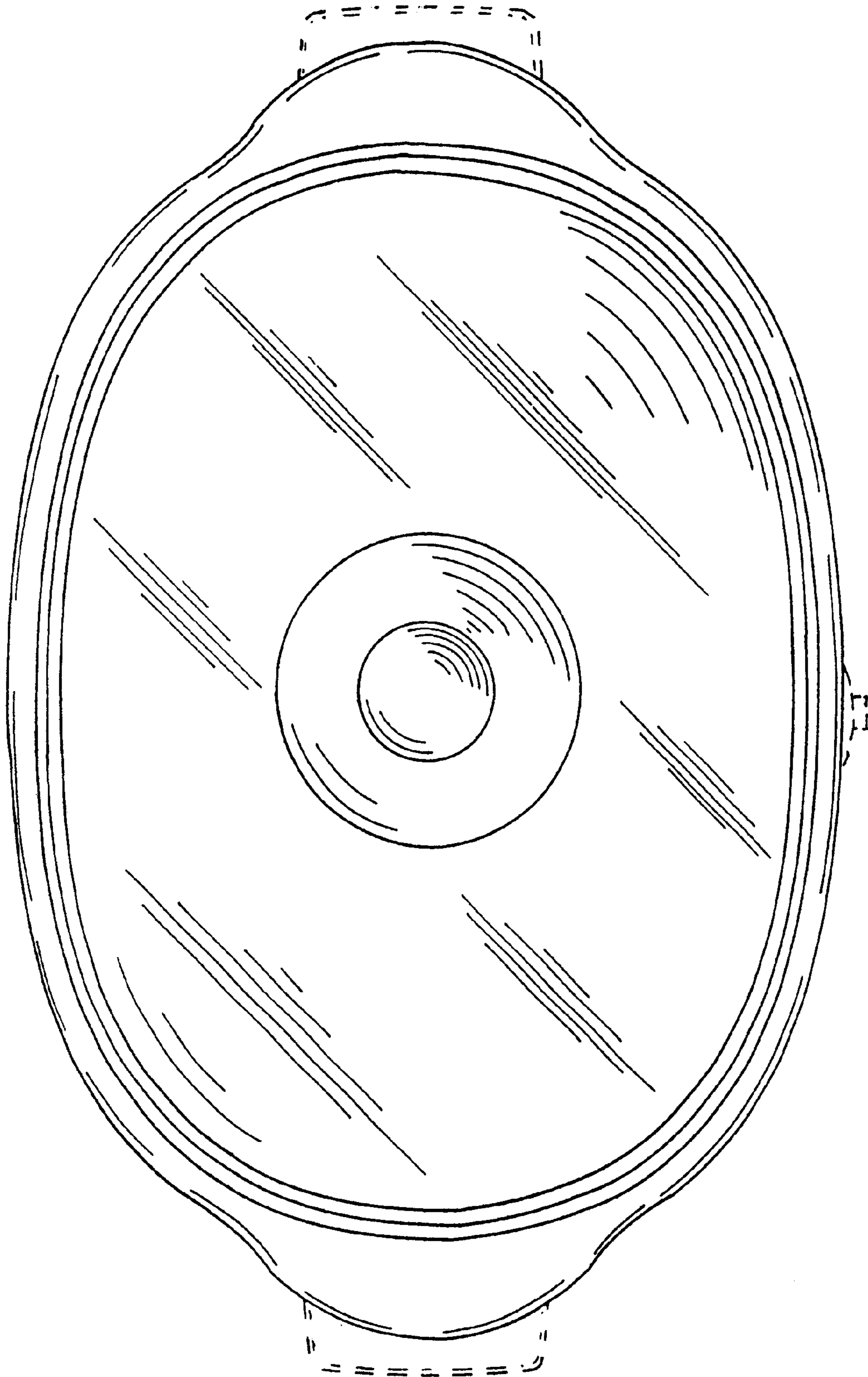


Fig. 6

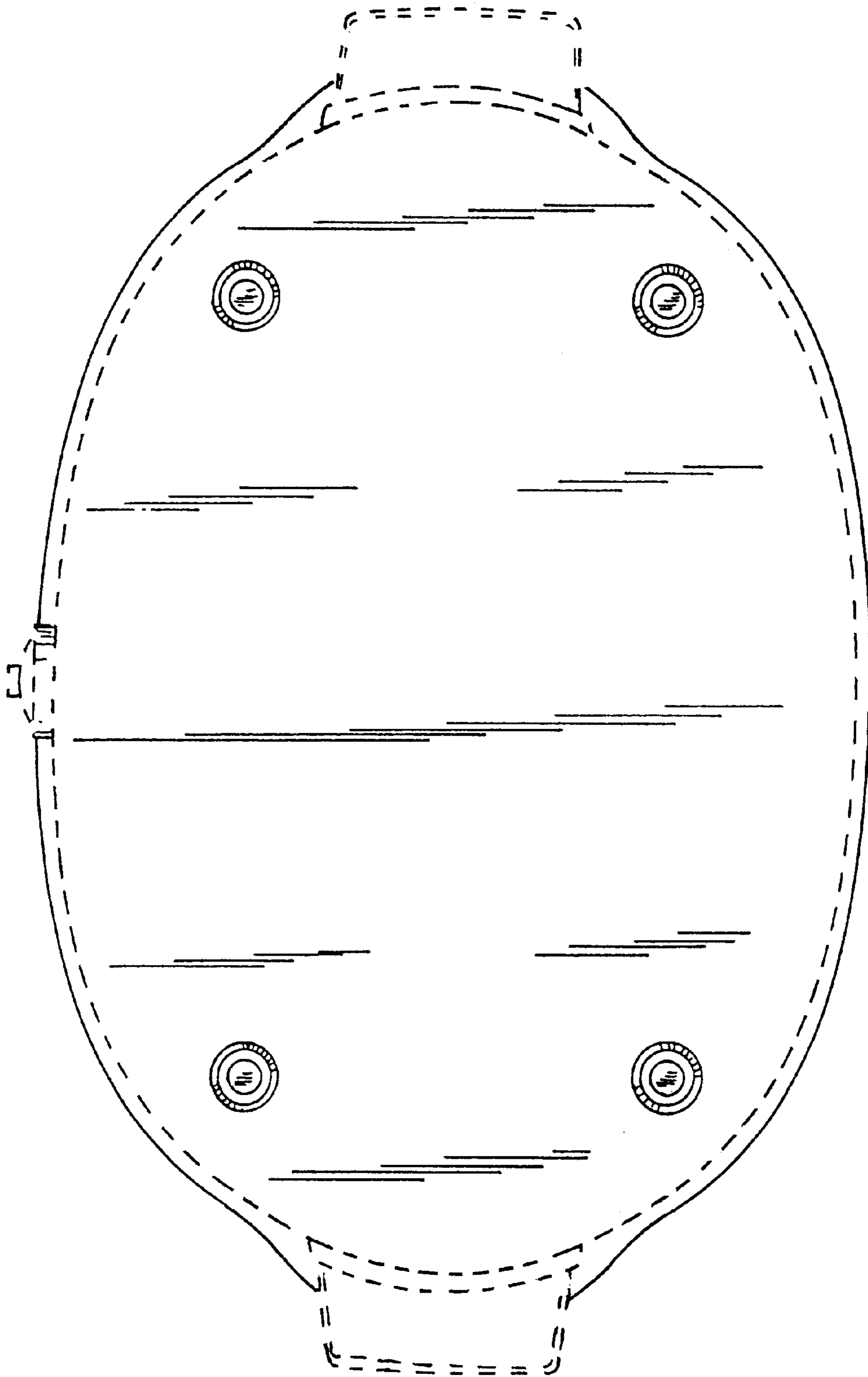


Fig 7

UNITED STATES PATENT AND TRADEMARK OFFICE
CERTIFICATE OF CORRECTION

PATENT NO. : Des. 444,664 S
APPLICATION NO. : 29/120882
DATED : July 10, 2001
INVENTOR(S) : William C. Dobson and Scott T. Pollnow

Page 1 of 1

It is certified that error appears in the above-identified patent and that said Letters Patent is hereby corrected as shown below:

On the title page insert item (63), beneath (22), --Continuation of U.S. Patent Application No. 29/097,446; filed Dec. 7, 1998, now U.S. Patent No. D425,360.--

Signed and Sealed this

Third Day of October, 2006

A handwritten signature in black ink on a dotted background. The signature reads "Jon W. Dudas" in a cursive style.

JON W. DUDAS

Director of the United States Patent and Trademark Office