



US00D444663S

(12) **United States Design Patent**
Samaras

(10) **Patent No.:** **US D444,663 S**

(45) **Date of Patent:** **** Jul. 10, 2001**

(54) **GRILL**

(76) **Inventor:** **George Samaras**, 3801 Beya Way,
Doraville, GA (US) 30340

(**) **Term:** **14 Years**

(21) **Appl. No.:** **29/108,851**

(22) **Filed:** **Aug. 5, 1999**

Related U.S. Application Data

(62) Division of application No. 29/088,197, filed on May 18,
1998.

(51) **LOC (7) Cl.** **07-02**

(52) **U.S. Cl.** **D7/337**

(58) **Field of Search** D7/332-337, 402,
D7/407; 126/25 R, 25 B, 41 R, 39 R, 9 R,
38, 44; 99/481-482, 446, 444, 340

(56) **References Cited**

U.S. PATENT DOCUMENTS

D. 201,416	*	6/1965	Sazegar	D7/337
D. 201,937	*	8/1965	Johnson	D7/337
D. 219,693	*	1/1971	Hahn	D7/337
D. 341,988	*	12/1993	Endres	D7/337
D. 383,640	*	9/1997	Yu	D7/337

D. 402,499	*	12/1998	Carroll	D7/332
D. 420,243	*	2/2000	Samaras	D7/332
4,924,845	*	5/1990	Johnson et al.	126/25 R
5,909,729	*	6/1999	Nowicke, Jr.	126/25 R

OTHER PUBLICATIONS

Big Green Egg, Atlanta, GA, 1996m brochure.
Grill Dome, Doraville, GA, brochure (more than 5 years
before filing date of this application).

* cited by examiner

Primary Examiner—Ruth McInroy

(74) *Attorney, Agent, or Firm*—Baker, Donelson, Bearman
& Caldwell

(57) **CLAIM**

The ornamental design for a grill, as shown and described.

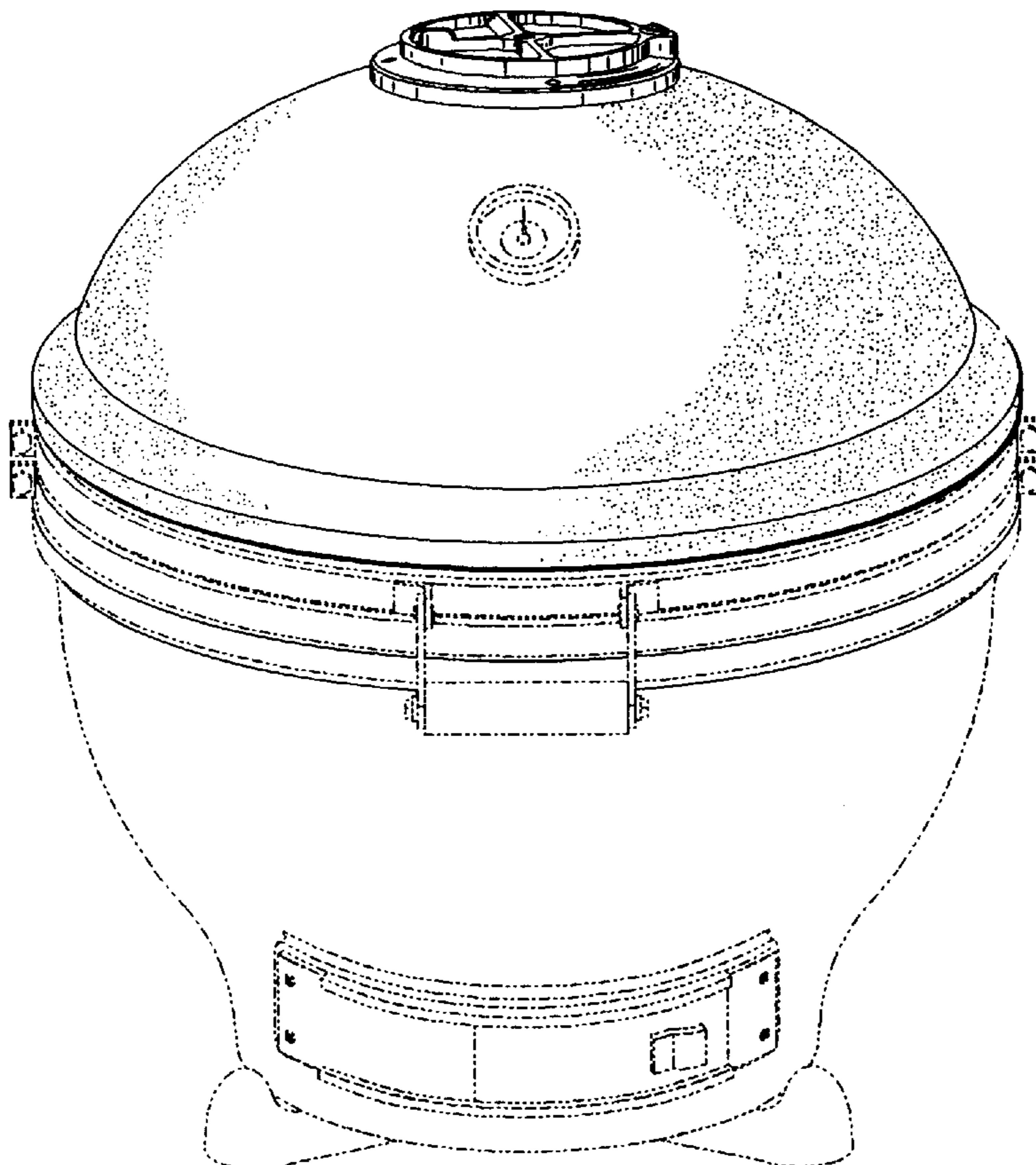
DESCRIPTION

FIG. 1 is a perspective view of a grill showing my new
design.

FIG. 2 is a front view of the grill shown in FIG. 1; and,
FIG. 3 is a top view of the grill shown in FIG. 1.

The broken lines in the views shows environmental features
which are for illustrative purposes only and form no part of
the claimed design.

1 Claim, 2 Drawing Sheets



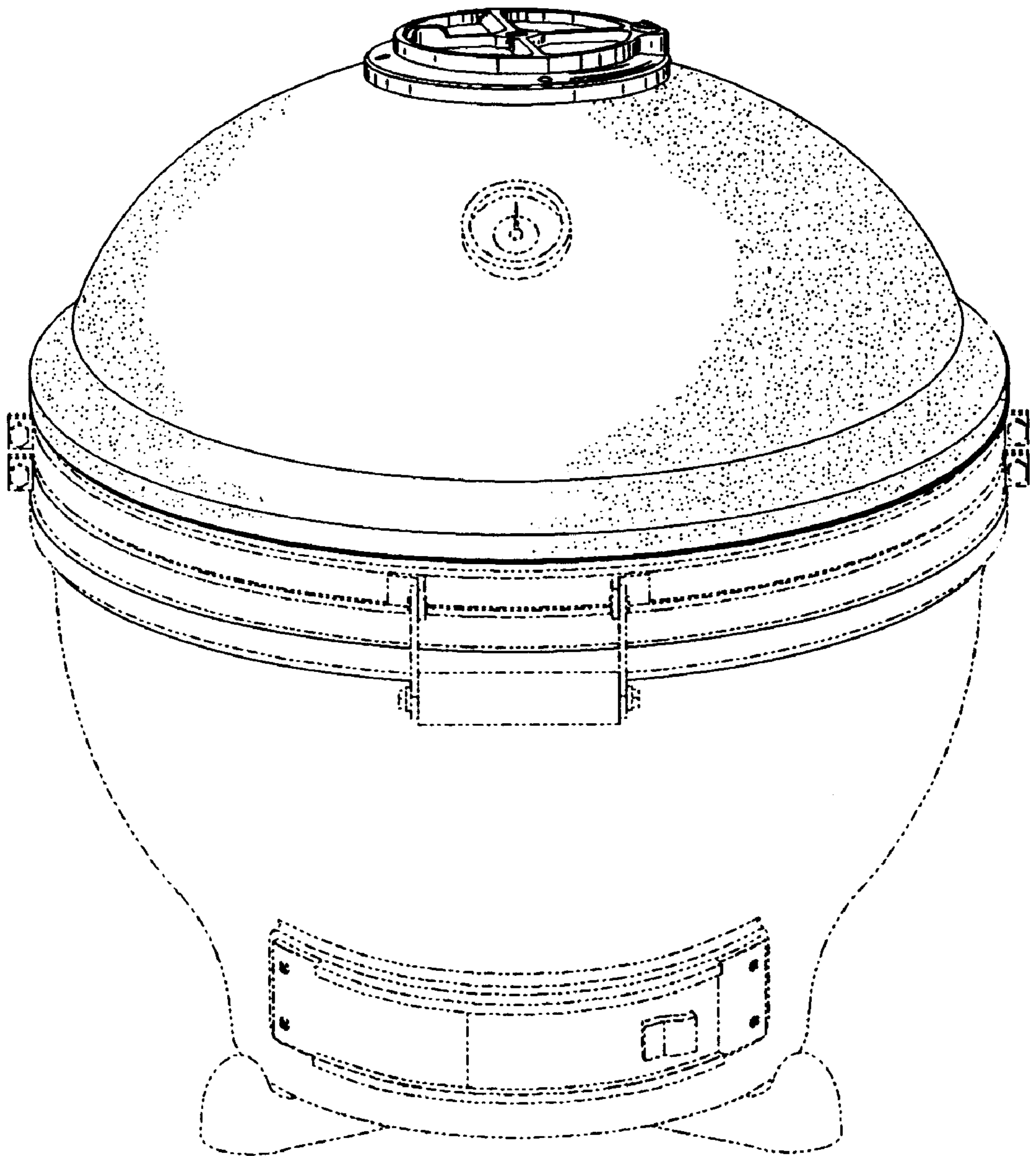


FIG. 1

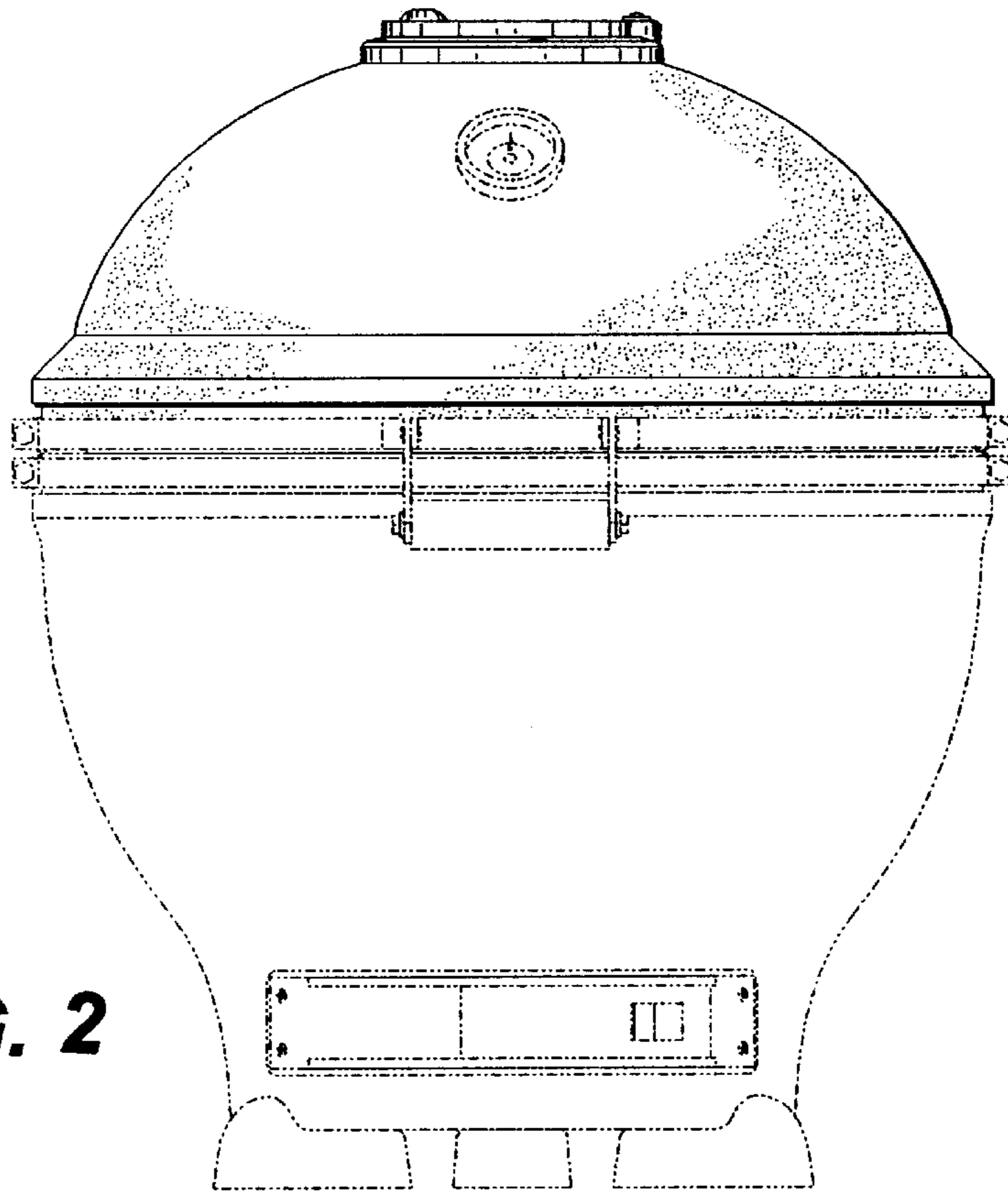


FIG. 2

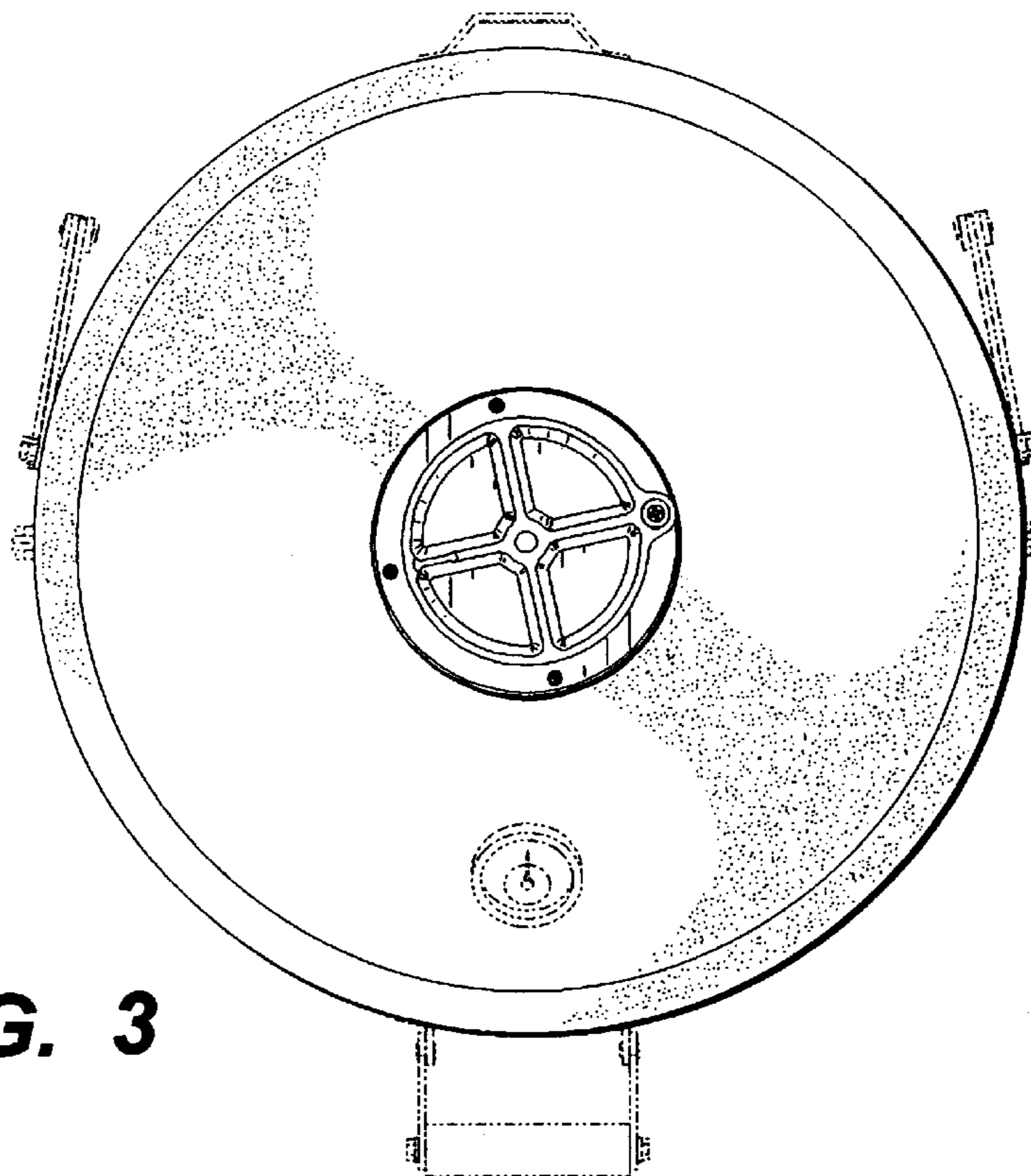


FIG. 3