



US00D444658S

(12) **United States Design Patent**
Swiszc et al.

(10) **Patent No.:** **US D444,658 S**

(45) **Date of Patent:** **** Jul. 10, 2001**

(54) **VANE WITH SINGLE FLAT TAIL FOR USE
IN COVERINGS FOR ARCHITECTURAL
OPENINGS**

4,893,667	1/1990	Dunn	160/236
4,911,220	3/1990	Hiller	.
4,930,562	6/1990	Goodman	.
5,012,552	5/1991	Wulf	.
5,101,876	4/1992	Zak	.

(75) Inventors: **Paul G. Swiszc**, Boulder; **Jason T. Throne**, Steamboat Springs, both of CO (US)

(List continued on next page.)

(73) Assignee: **Hunter Douglas Inc.**, Upper Saddle River, NJ (US)

FOREIGN PATENT DOCUMENTS

(**) Term: **14 Years**

387188	3/1940	(CA)	.
837171	4/1952	(DE)	.
2644354	8/1978	(DE)	160/236
2920323	11/1980	(DE)	.
3207850	9/1983	(DE)	.
3312988	10/1984	(DE)	.
9001429	5/1990	(DE)	.
288937	7/1987	(EP)	.
469695	2/1992	(EP)	.
623832	5/1949	(GB)	.
2275074	8/1994	(GB)	.

(21) Appl. No.: **29/134,599**

(22) Filed: **Dec. 22, 2000**

Related U.S. Application Data

(62) Division of application No. 29/128,477, filed on Aug. 25, 2000, which is a division of application No. 09/256,129, filed on Feb. 24, 1999, now Pat. No. 6,170,552, which is a continuation of application No. 08/853,307, filed on May 8, 1997, now Pat. No. 5,960,850, which is a continuation of application No. 08/437,959, filed on May 10, 1995, now abandoned.

OTHER PUBLICATIONS

Spanish Disclosure No. 144292 dated Dec. 26, 1968 (no translation available).

Primary Examiner—Mitchel Siegel

(51) **LOC (7) Cl.** **06-11**

(74) *Attorney, Agent, or Firm*—Dorsey & Whitney LLP

(52) **U.S. Cl.** **D6/580**

(58) **Field of Search** D6/575, 577, 580;
160/236, 168.1, 166.1

(57) **CLAIM**

We claim the ornamental design for a vane with single flat tail for use in coverings for architectural openings, as shown and described.

(56) **References Cited**

DESCRIPTION

U.S. PATENT DOCUMENTS

2,169,873	*	8/1939	Clark, Jr.	160/178.1
2,326,454	*	8/1943	Gentile	160/236
2,757,727	*	8/1956	Findell	160/168.1
3,844,330		10/1974	Hyman	.
3,851,699		12/1974	Shapiro	.
3,946,789		3/1976	Ronkholz-Tolle	.
4,352,384		10/1982	McCoy, Jr.	.
4,434,834		3/1984	Ennes	.
4,466,476		8/1984	Fairbanks	160/330
4,519,435		5/1985	Stier	.
4,535,828		8/1985	Brockhaus	.
4,846,243	*	7/1989	Schneider	160/84.1

FIG. 1 is an isometric view of the vane of the present invention.

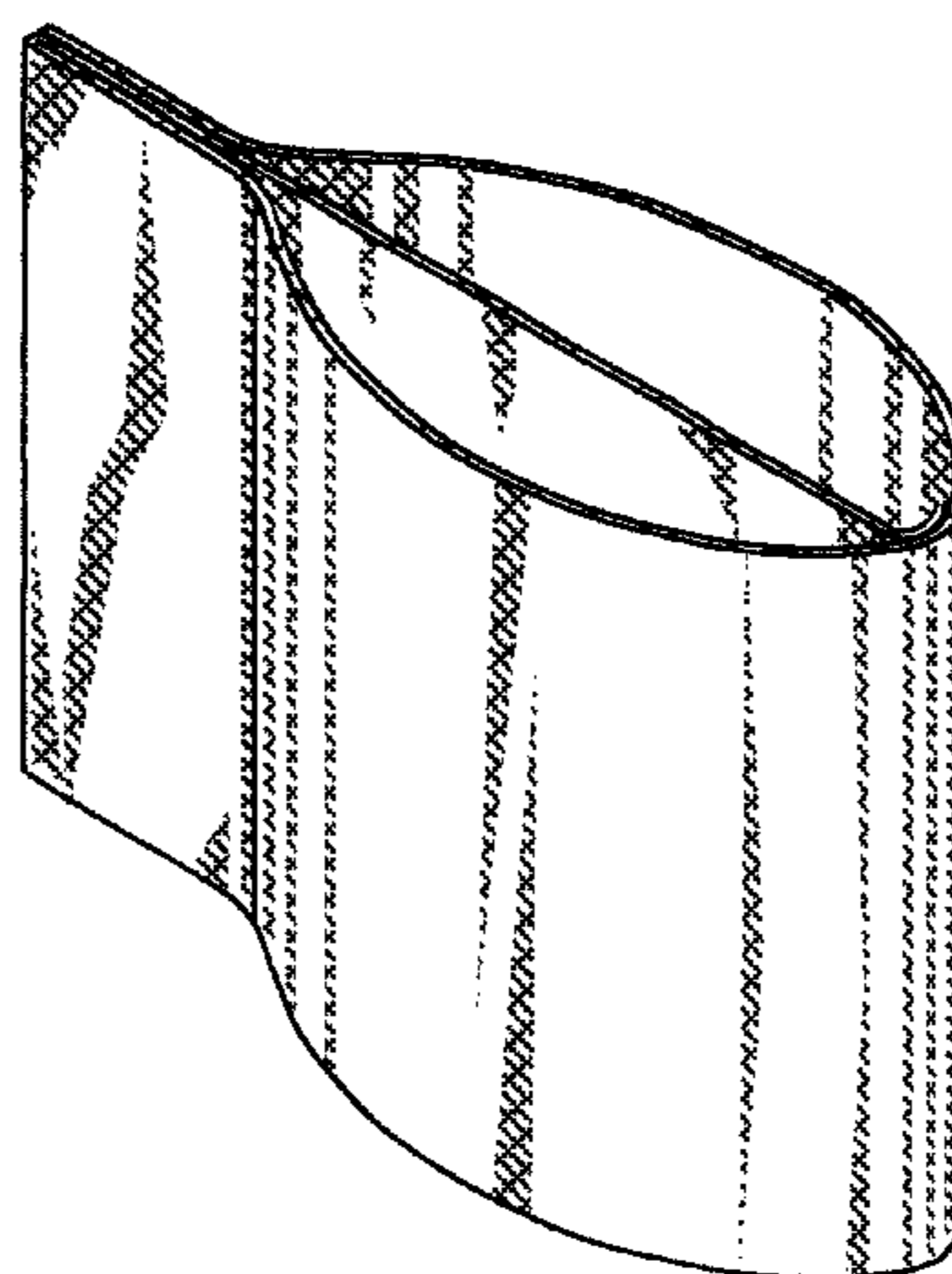
FIG. 2 is a top plan view of the vane of FIG. 1, with a bottom plan view being a mirror image thereof.

FIG. 3 is a left end elevation of the vane of FIG. 1.

FIG. 4 is a front elevation of the vane of FIG. 1, with a rear elevation being the mirror image thereof; and,

FIG. 5 is a right end elevation of the vane of FIG. 1.

1 Claim, 1 Drawing Sheet



US D444,658 S

Page 2

U.S. PATENT DOCUMENTS

5,141,042	*	8/1992	Schwaegerle	160/236	5,490,553	*	2/1996	Colson et al.	160/84.06
5,196,000		3/1993	Clear et al.	.		5,603,369	*	2/1997	Colson et al.	160/84.06
5,203,394		4/1993	Hailey	.		5,749,404		5/1998	Colson	160/84.04
5,255,940		10/1993	Kornblum et al.	.		5,797,442	*	8/1998	Colson et al.	160/236
5,271,447		12/1993	Aronovich	.		5,960,850	*	10/1999	Colson et al.	160/236
5,297,607		3/1994	Beauchamp	.		6,095,227	*	8/2000	Colson et al.	160/168.1
5,358,024		10/1994	Schwaegerle	.							

* cited by examiner

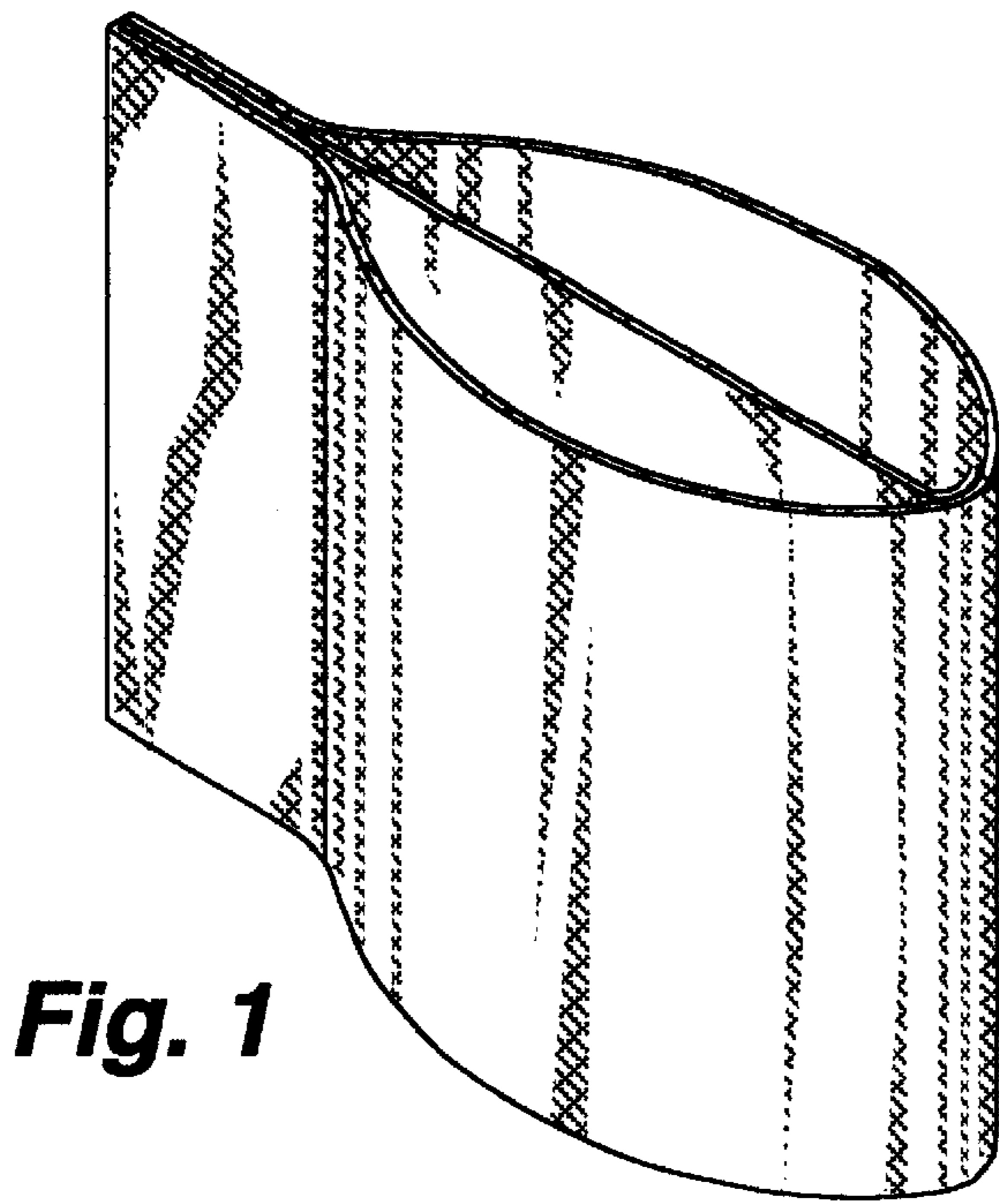


Fig. 1

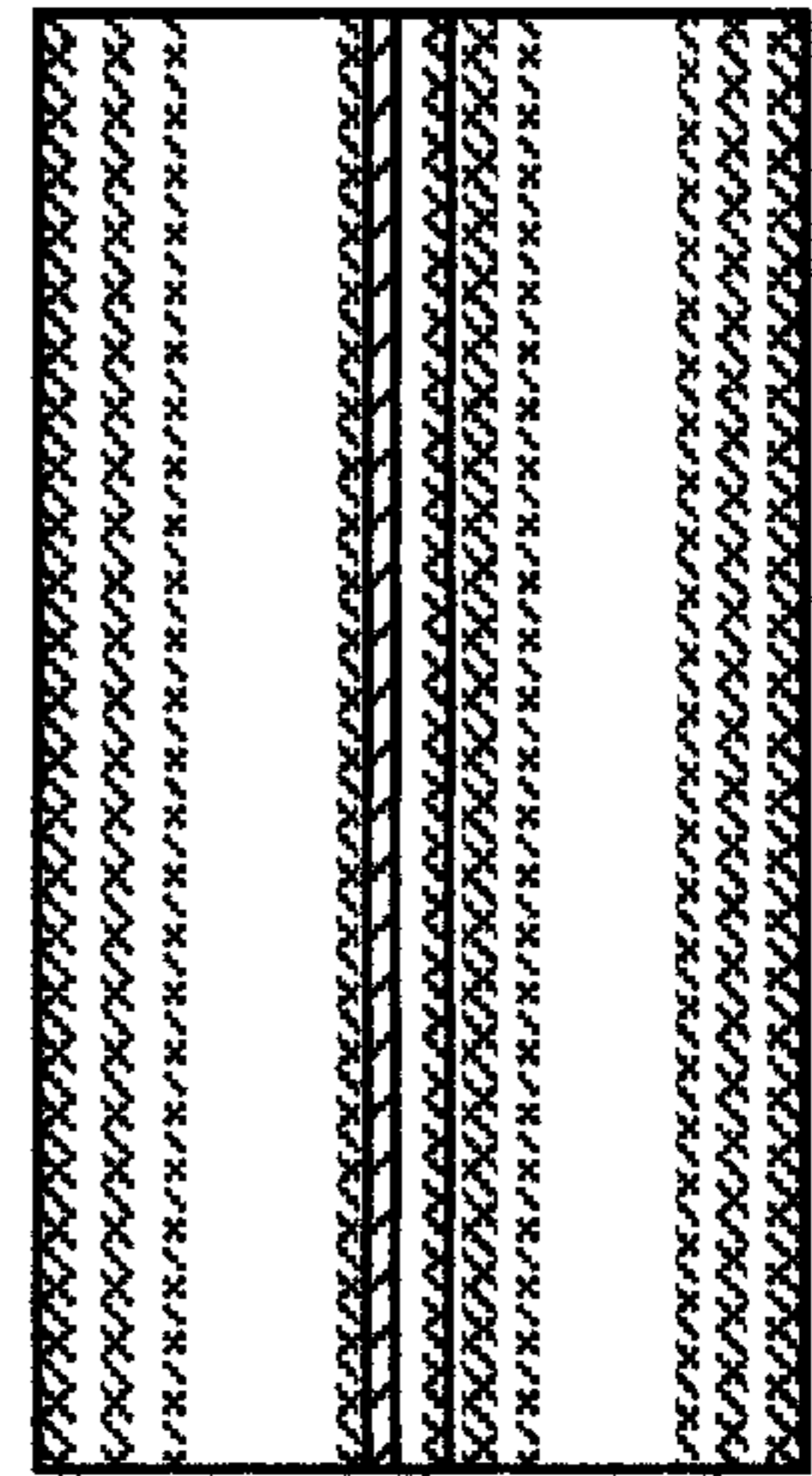


Fig. 2

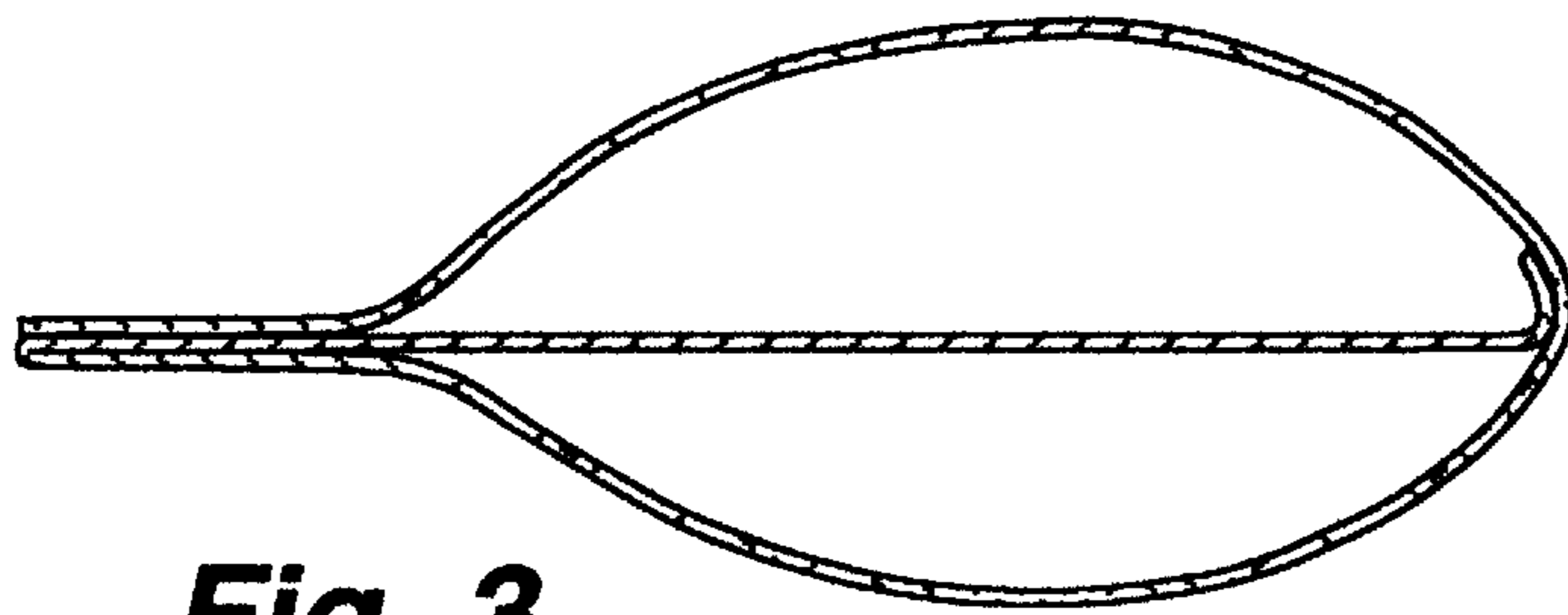


Fig. 3

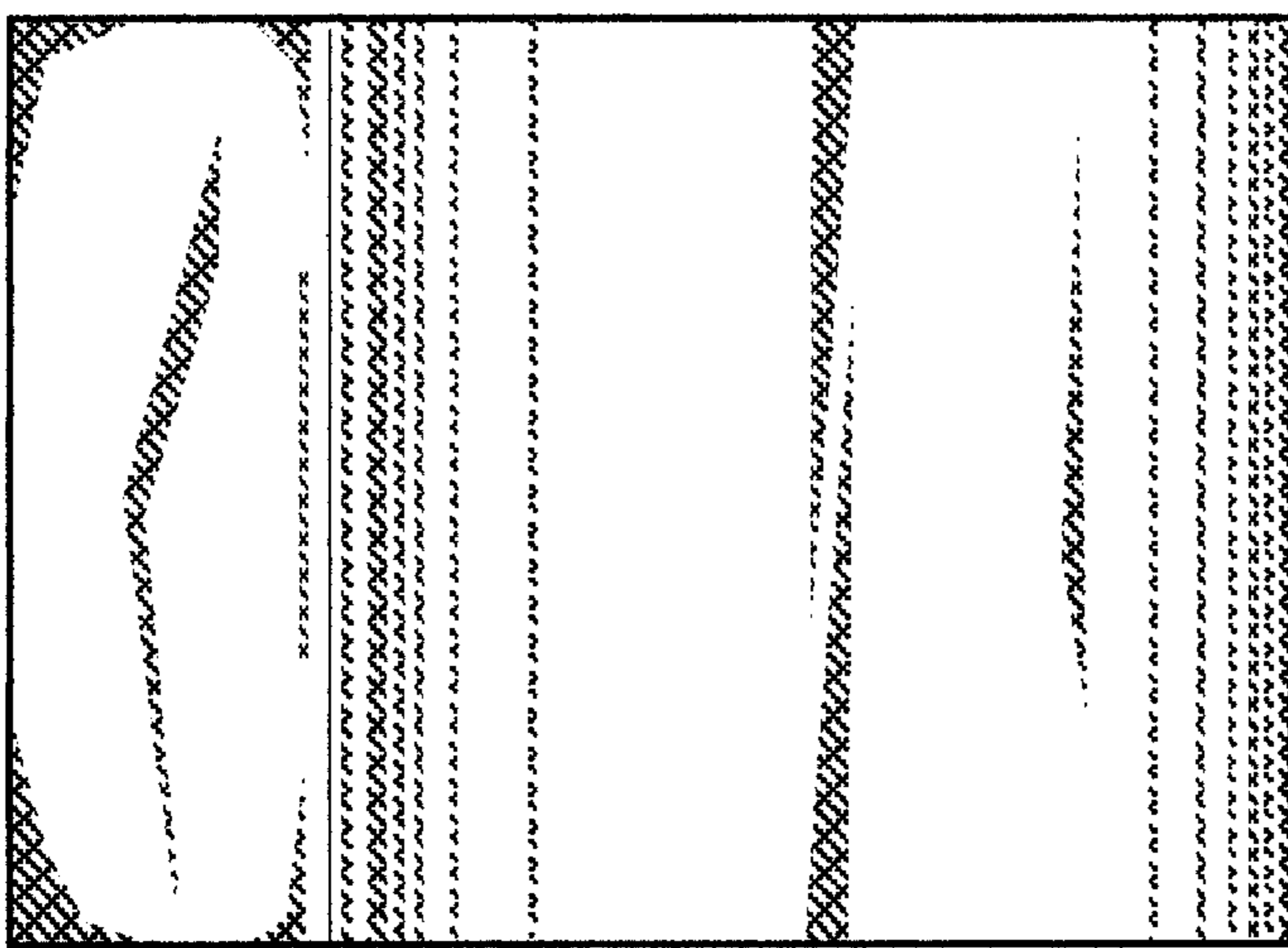


Fig. 4

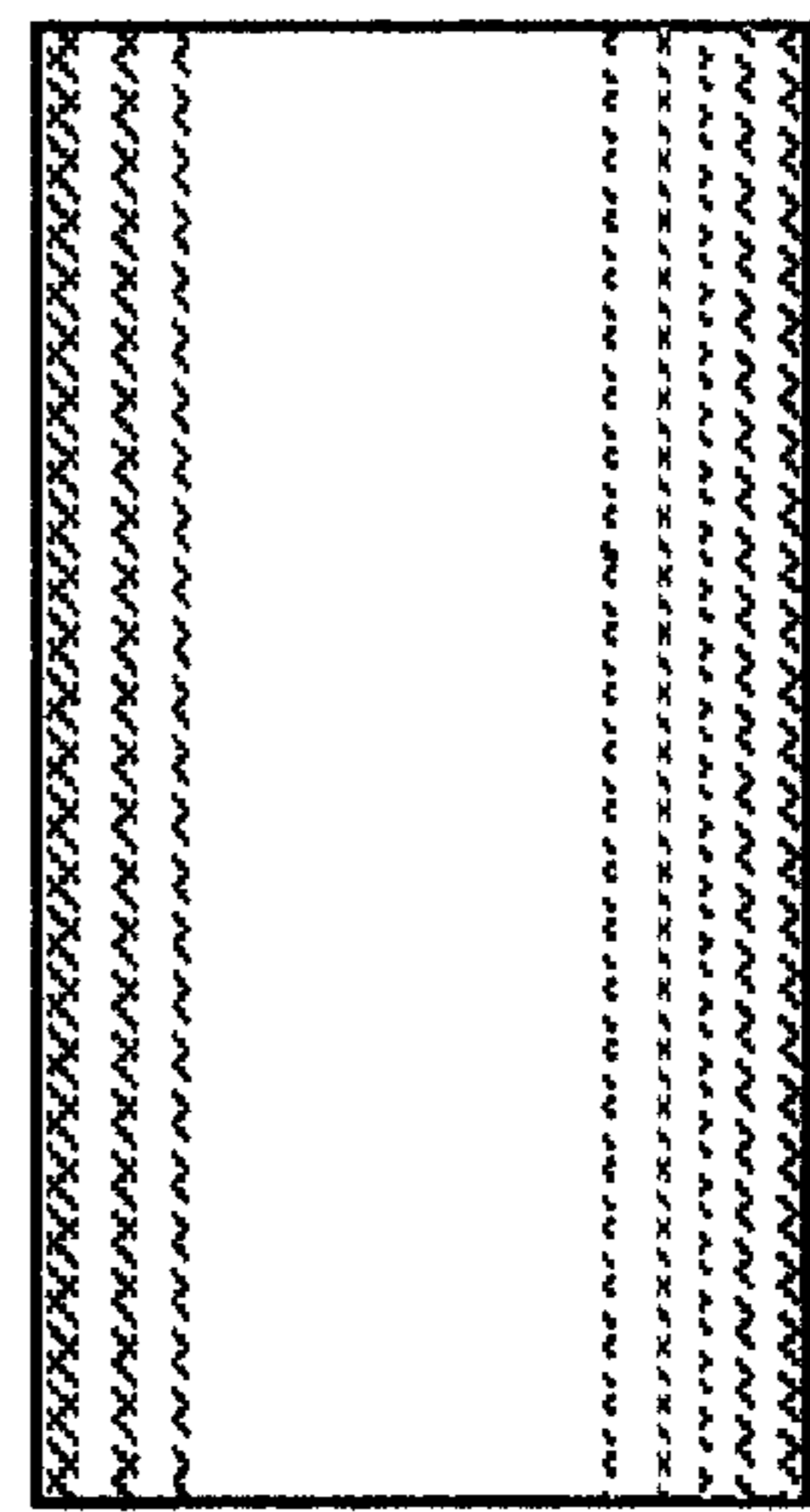


Fig. 5