



US00D444649S

(12) **United States Design Patent**
Amato Capone

(10) **Patent No.:** **US D444,649 S**

(45) **Date of Patent:** **** Jul. 10, 2001**

(54) **BRIDAL STAND**

D. 383,568 * 9/1997 Giedd D19/35
4,611,722 * 9/1986 Teig 211/107

(75) Inventor: **Carolina Amato Capone**, Plandome,
NY (US)

* cited by examiner

(73) Assignee: **Carolina Amato, Inc.**, New York, NY
(US)

Primary Examiner—Nanda Bondade

(74) *Attorney, Agent, or Firm*—Collard & Roe, P.C.

(**) Term: **14 Years**

(57) **CLAIM**

The ornamental design for a bridal stand, as shown and described.

(21) Appl. No.: **29/134,275**

(22) Filed: **Dec. 18, 2000**

DESCRIPTION

(51) **LOC (7) Cl.** **06-99**

FIG. 1 shows a perspective view of my design for a bridal stand;

(52) **U.S. Cl.** **D6/449; D6/396**

FIG. 2 shows a front view thereof, the stand is shown broken away for ease of illustration;

(58) **Field of Search** D6/396, 300, 314,
D6/411, 449, 512, 574; D21/797, 796;

FIG. 3 shows a side view thereof;

211/71.01, 107

FIG. 4 shows a rear view thereof;

FIG. 5 shows an opposite side view thereof;

(56) **References Cited**

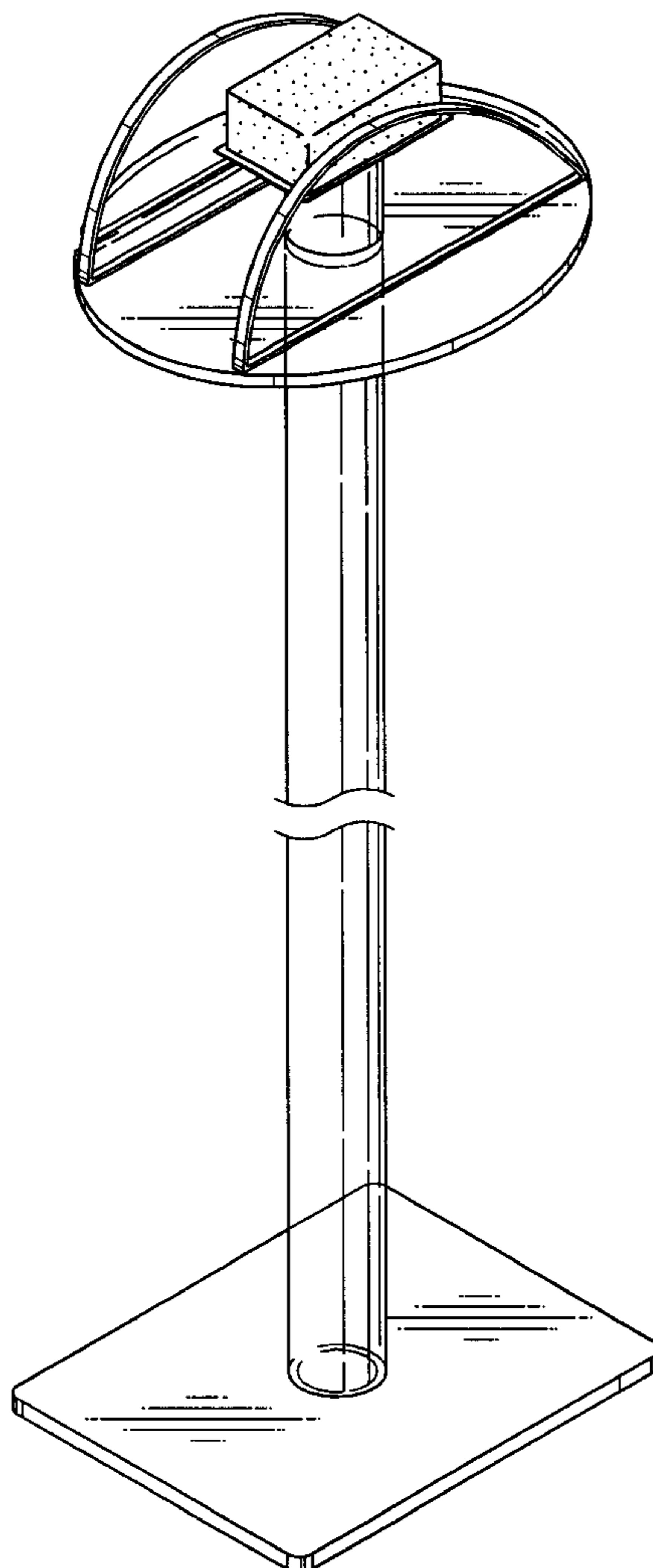
FIG. 6 shows a top view thereof; and,

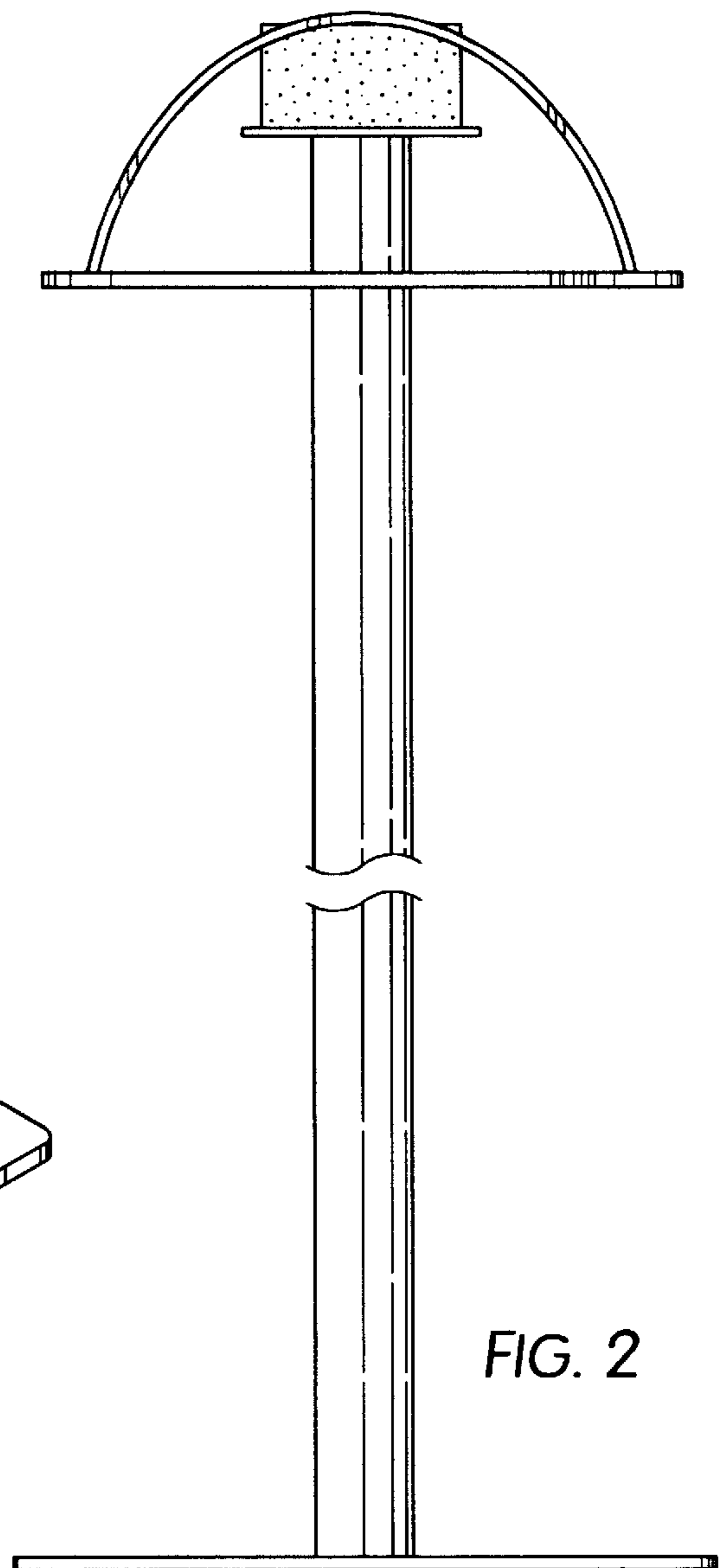
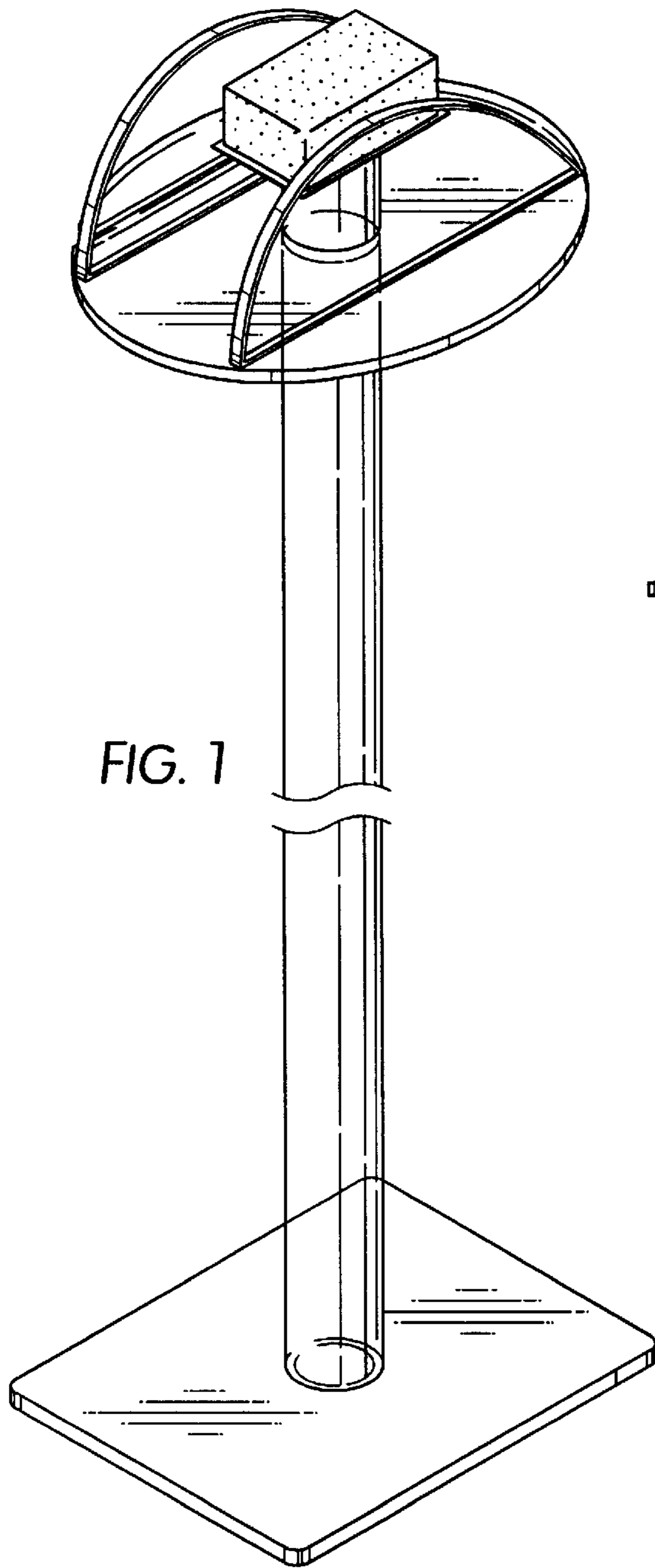
U.S. PATENT DOCUMENTS

FIG. 7 shows a bottom view thereof.

D. 380,325 * 7/1997 Kempf D6/512

1 Claim, 3 Drawing Sheets





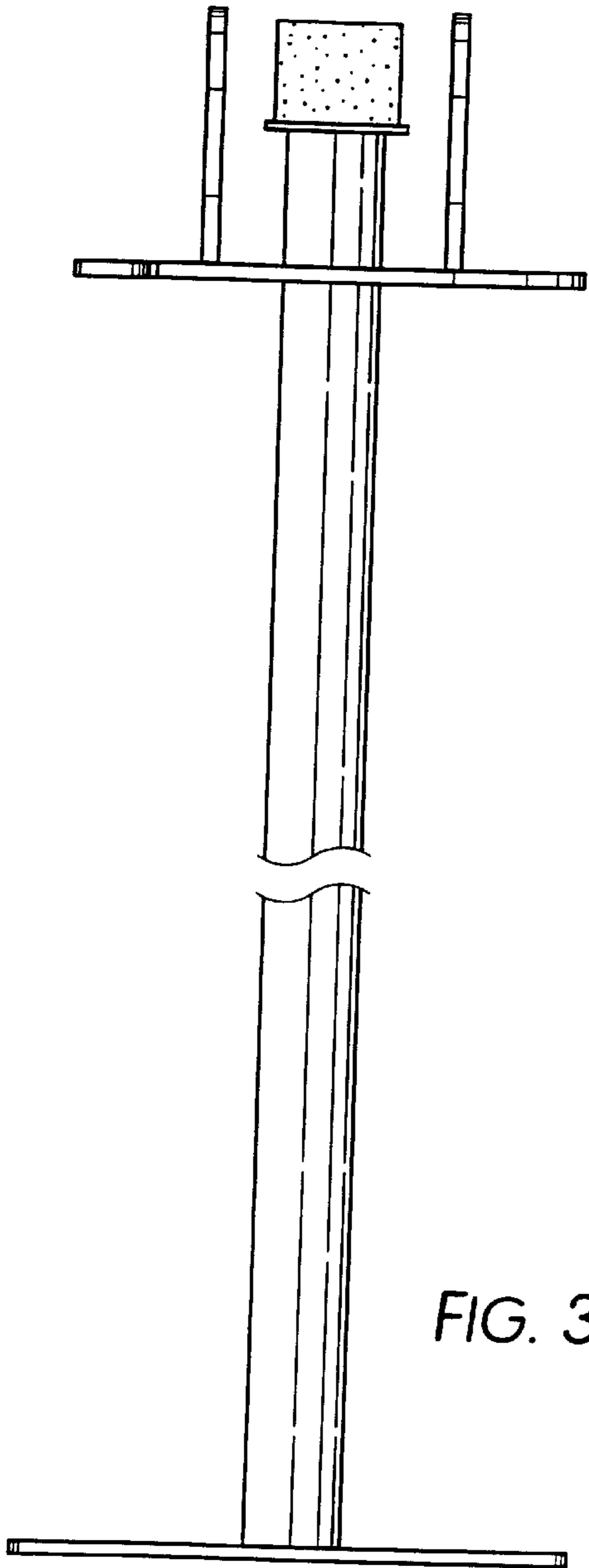


FIG. 3

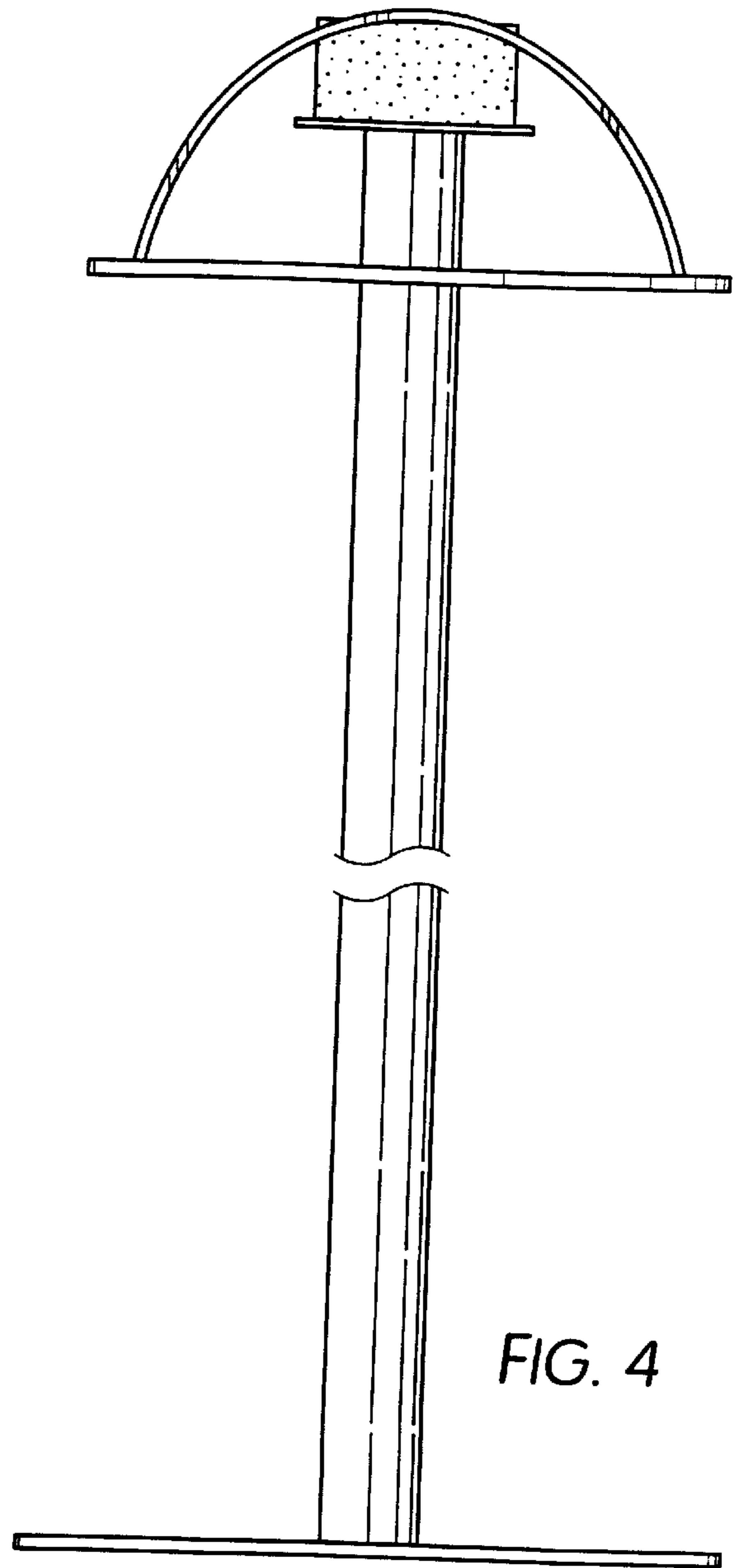


FIG. 4

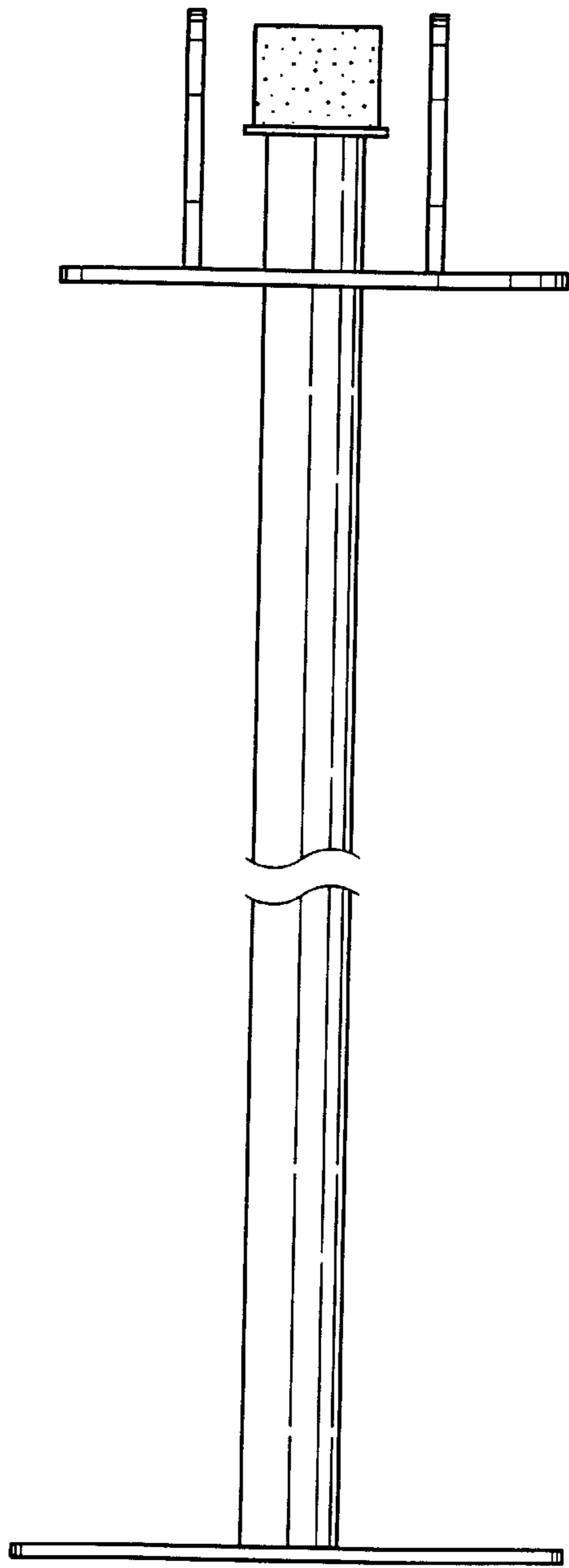


FIG. 5

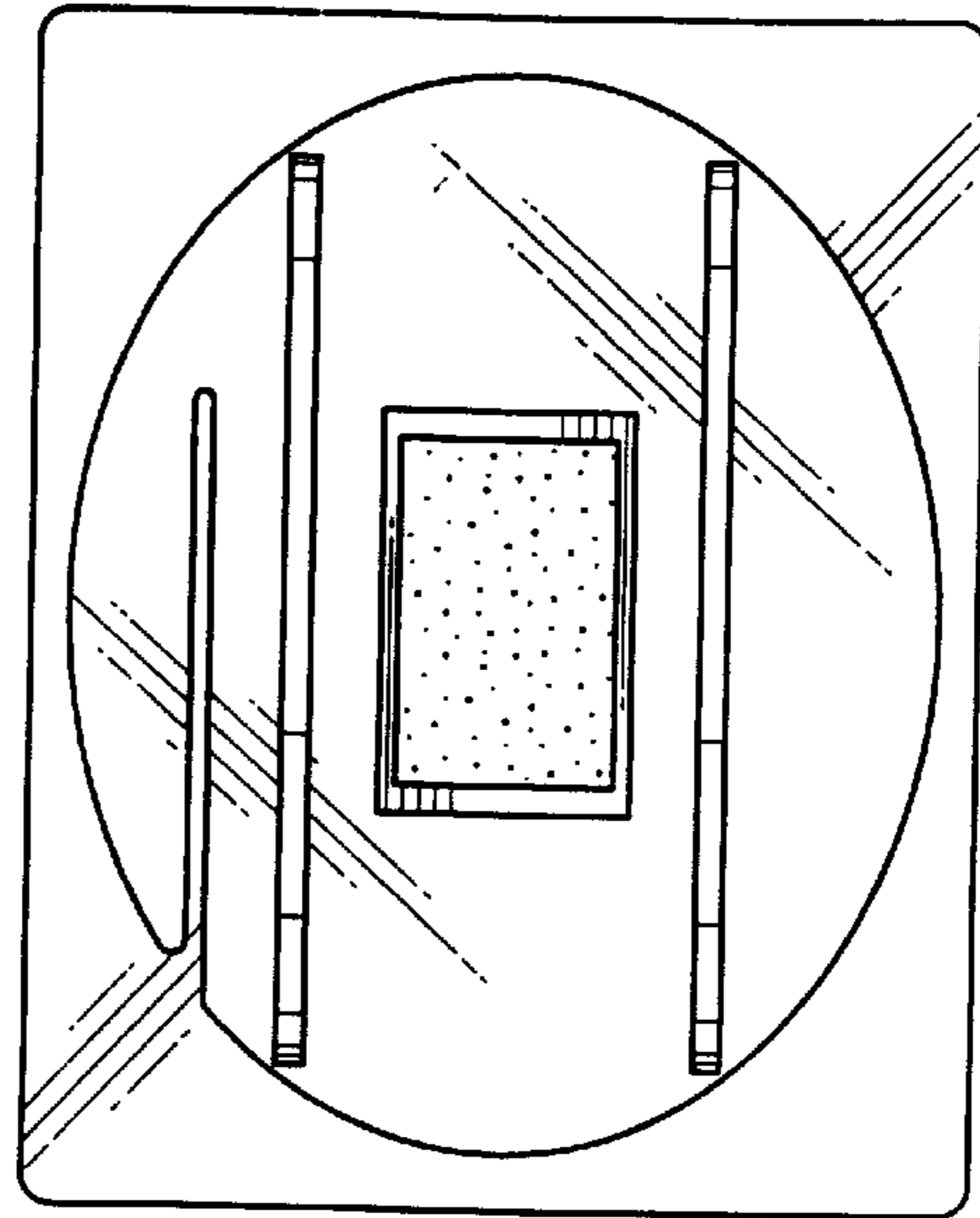


FIG. 6

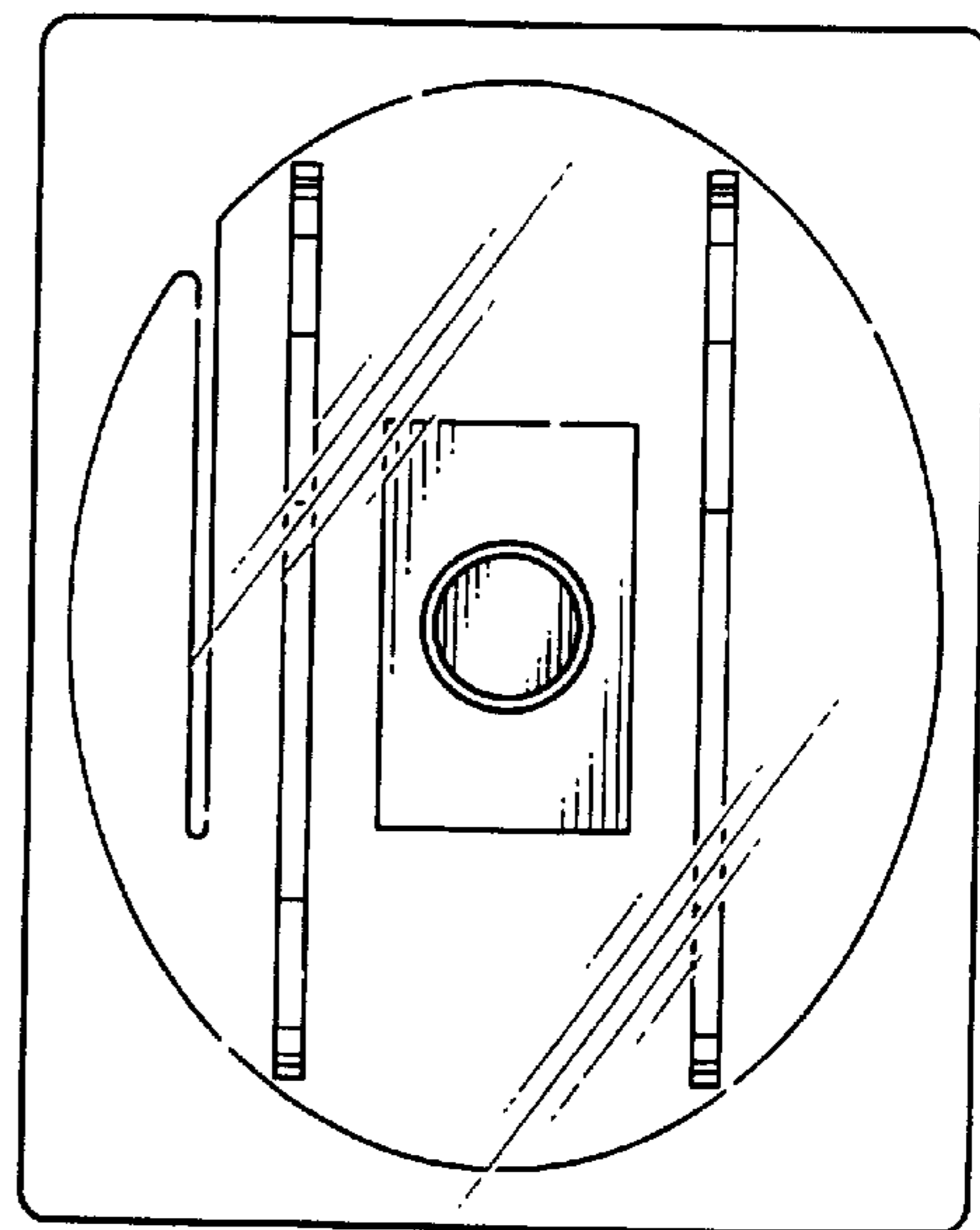


FIG. 7