



US00D444648S

(12) **United States Design Patent**
Draheim et al.

(10) **Patent No.:** **US D444,648 S**

(45) **Date of Patent:** **** Jul. 10, 2001**

(54) **CHEST OF DRAWERS**

(74) *Attorney, Agent, or Firm*—Hoffmann & Baron, LLP

(75) Inventors: **Harvey J. Draheim**, Weyauwega; **Scott A. Krueger**, Appleton, both of WI (US)

(57) **CLAIM**

The ornamental design for a chest of drawers, as shown and described.

(73) Assignee: **Simmons Juvenile Products Company, Inc.**, New London, WI (US)

(**) Term: **14 Years**

DESCRIPTION

(21) Appl. No.: **29/131,505**

FIG. 1 is a top perspective view of a chest of drawers showing our new design;

(22) Filed: **Oct. 23, 2000**

FIG. 2 is a top plan view thereof;

(51) **LOC (7) Cl.** **06-04**

FIG. 3 is a front elevation view thereof;

(52) **U.S. Cl.** **D6/442**

FIG. 4 is a side elevation view thereof;

(58) **Field of Search** D6/432-448; 312/107, 312/198, 204, 257.1, 278, 279

FIG. 5 is a side elevation view thereof opposite from the side shown in FIG. 4;

(56) **References Cited**

FIG. 6 is an enlarged sectional view taken along line 6—6 in FIG. 3; and,

U.S. PATENT DOCUMENTS

FIG. 7 is an enlarged sectional view taken along line 7—7 in FIG. 3.

- D. 387,223 12/1997 Brunner et al. .
- D. 432,814 * 10/2000 Draheim et al. D6/439
- D. 432,815 * 10/2000 Draheim et al. D6/439

The bottom and rear views (not shown) form no part of the claimed design. The subject matter shown in broken lines is for environmental purposes and forms no part of the claimed design.

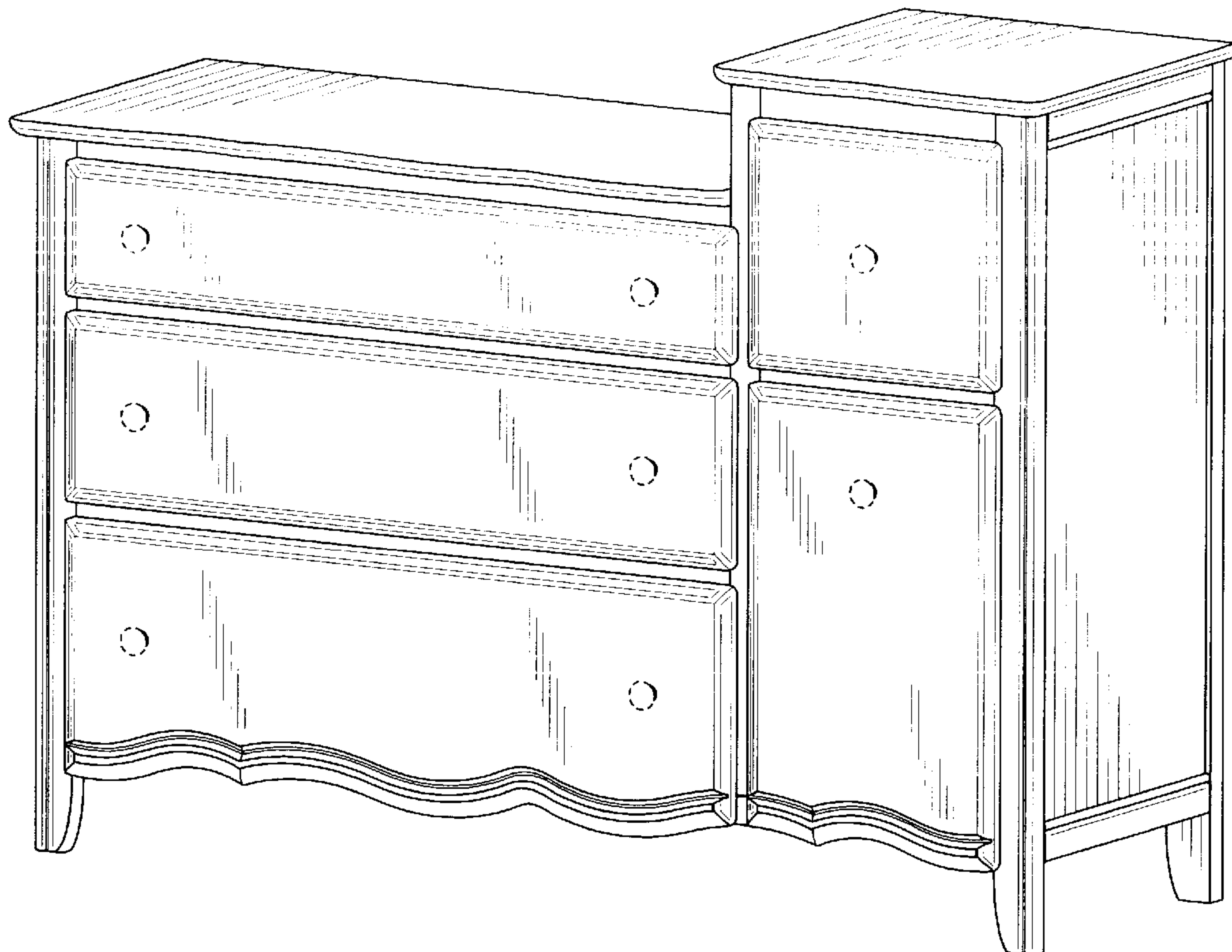
OTHER PUBLICATIONS

Simmons Juvenile Products Catalog, 1998 (2900 Series).

* cited by examiner

Primary Examiner—Cathron C. Brooks

1 Claim, 5 Drawing Sheets



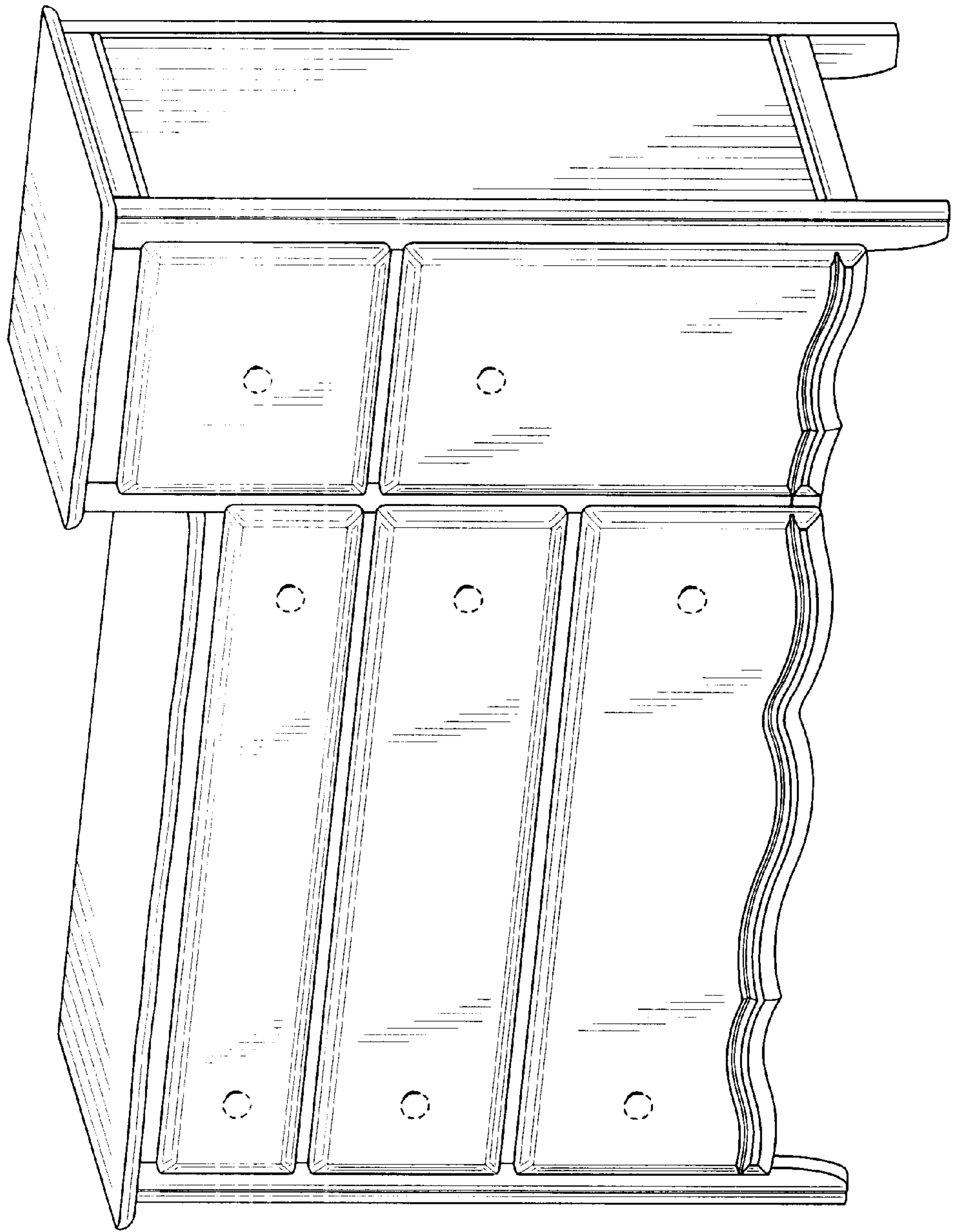
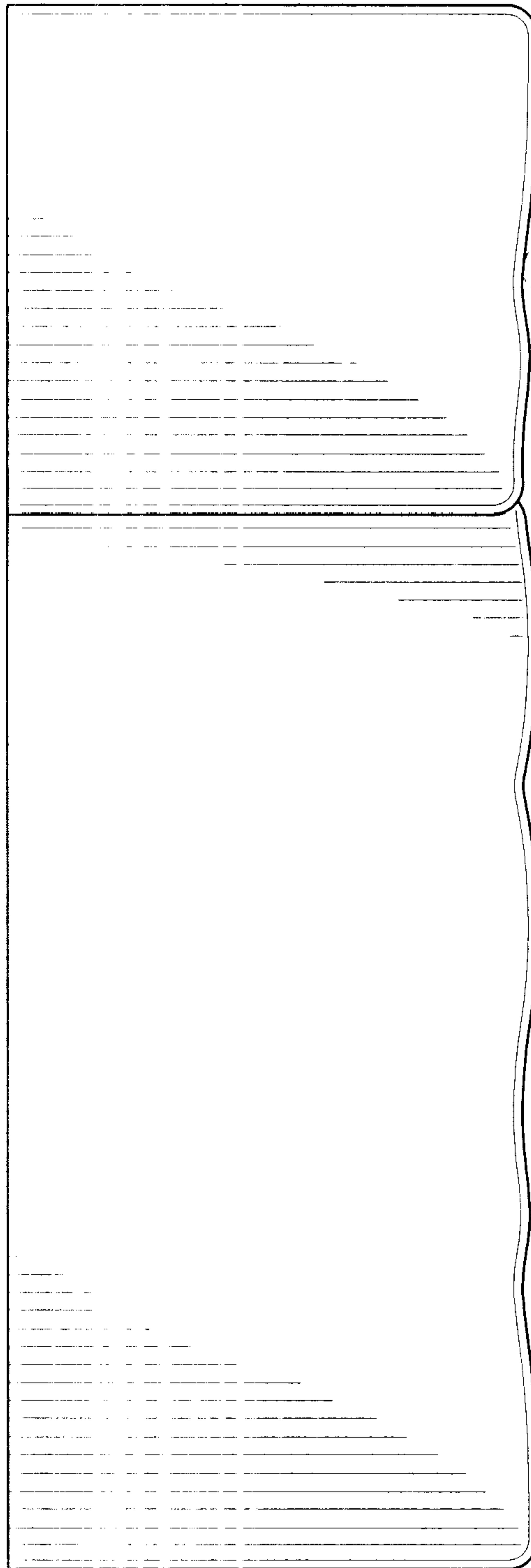


FIG. 1

FIG. 2



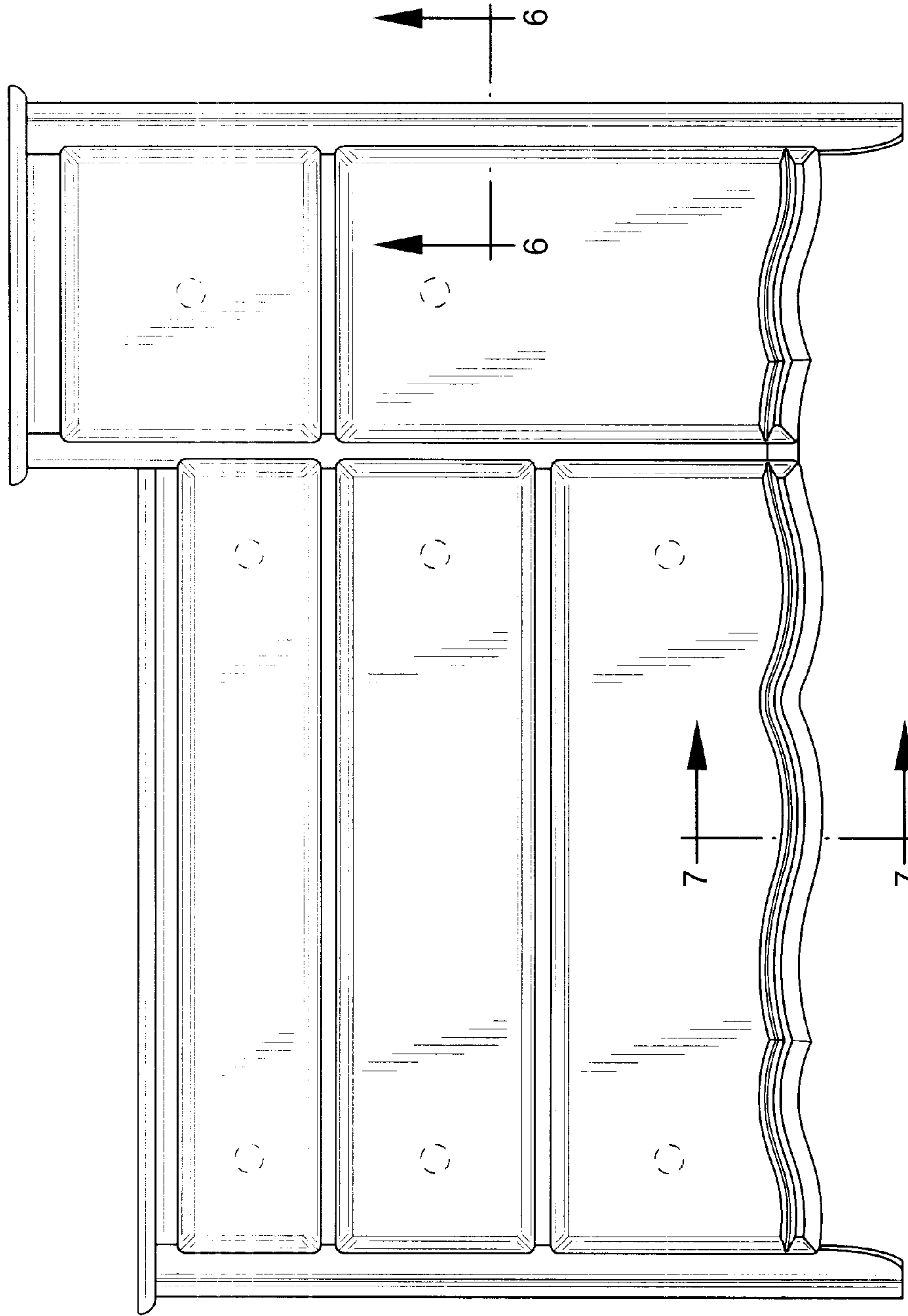


FIG. 3

FIG. 5

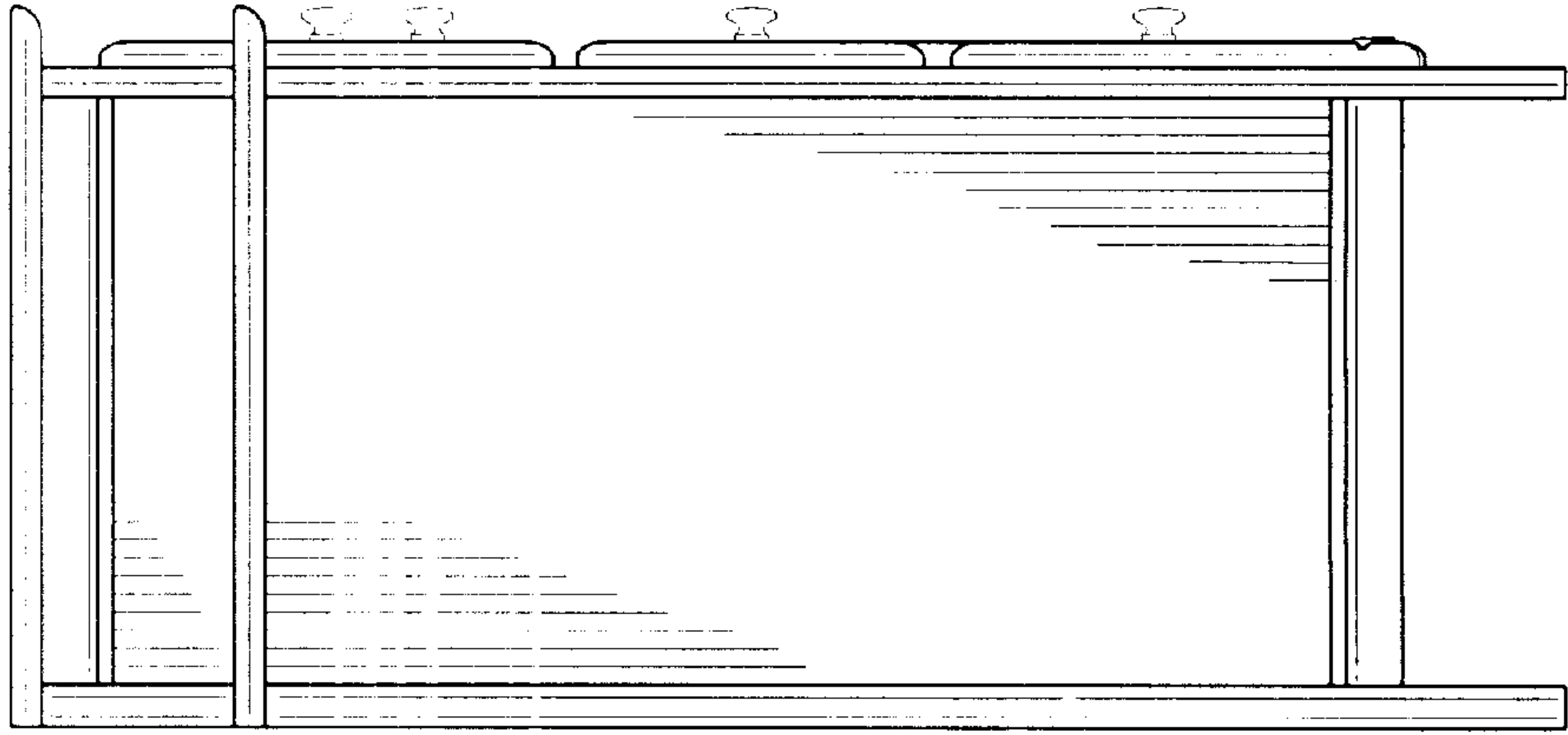


FIG. 4

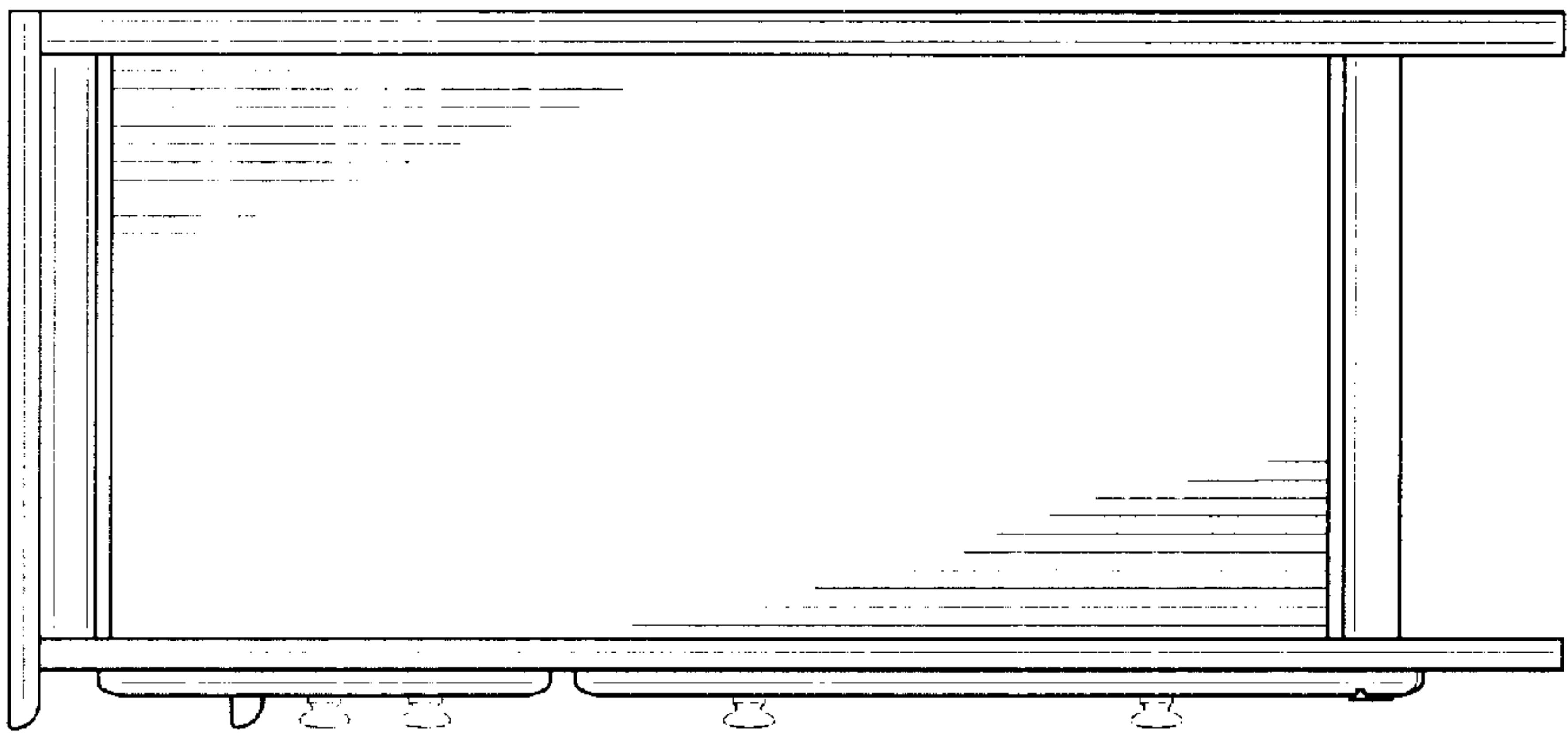


FIG. 6

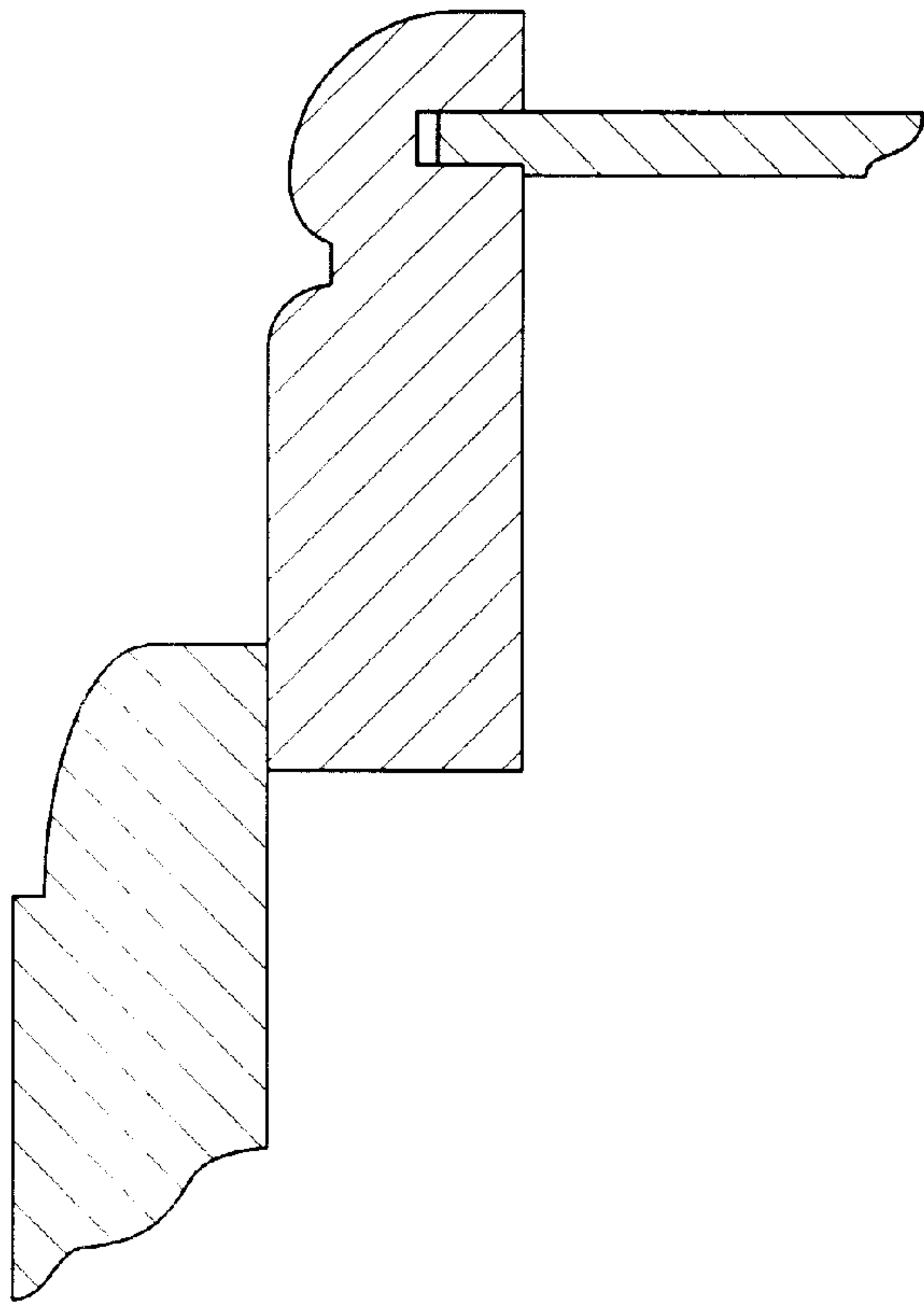


FIG. 7

