



US00D444644S

(12) **United States Design Patent**
Cornu

(10) **Patent No.:** **US D444,644 S**

(45) **Date of Patent:** **** Jul. 10, 2001**

(54) **BED**

(75) **Inventor:** **Jean Michel Cornu, Paris (FR)**

(73) **Assignee:** **Oniris SA, Issy les Moulineaus (FR)**

(**) **Term:** **14 Years**

(21) **Appl. No.:** **29/105,013**

(22) **Filed:** **May 14, 1999**

(51) **LOC (7) Cl.** **06-01**

(52) **U.S. Cl.** **D6/392; D6/393**

(58) **Field of Search** **D6/382-385, 389-395,**
D6/505-508; 5/200.1, 310, 286, 53.1, 280,
281, 907

(56) **References Cited**

U.S. PATENT DOCUMENTS

D. 255,402 * 6/1980 Lundgren D6/382

D. 341,039 * 11/1993 Losagio D6/392

D. 421,346 * 3/2000 Cuerel D6/392

* cited by examiner

Primary Examiner—Janice E. Seeger

(74) *Attorney, Agent, or Firm*—Foley & Lardner

(57) **CLAIM**

The ornamental design for a bed, as shown and described.

DESCRIPTION

FIG. 1 is a front perspective view showing my new design of a bed in a first position;

FIG. 2 is a front, right, top perspective view thereof;

FIG. 3 is a right perspective view thereof;

FIG. 4 is a right, top perspective view thereof;

FIG. 5 is a back, left perspective view thereof showing the bed in a second position; and,

FIG. 6 is a front, left, top perspective partial view thereof showing the bed in the second position.

The portions of FIGS. 1 and 3 which are shown in broken lines do not form part of the design and are hereby disclaimed.

1 Claim, 6 Drawing Sheets

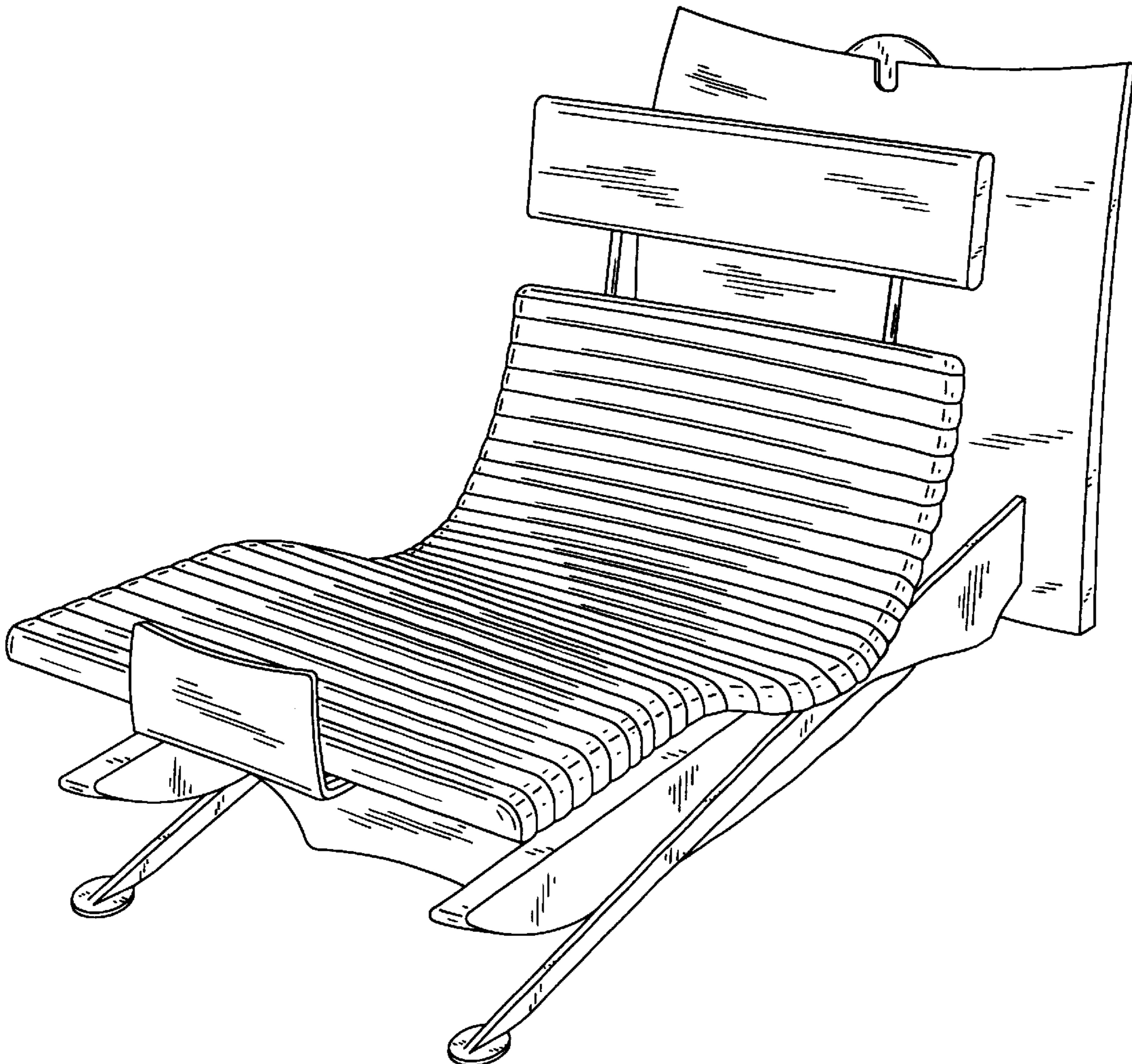


Fig. 1

FIG. 1

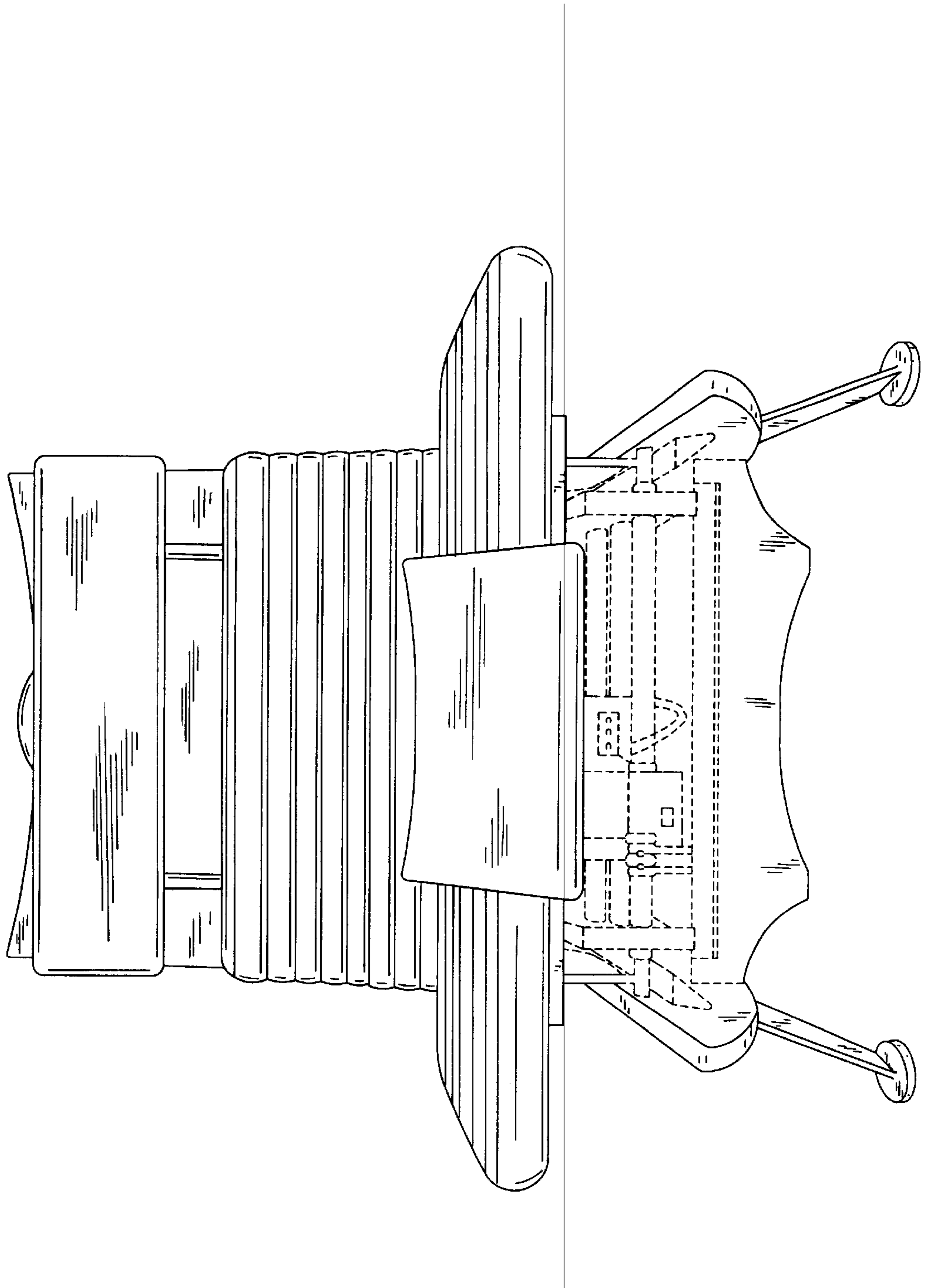


Fig. 2

FIG. 2

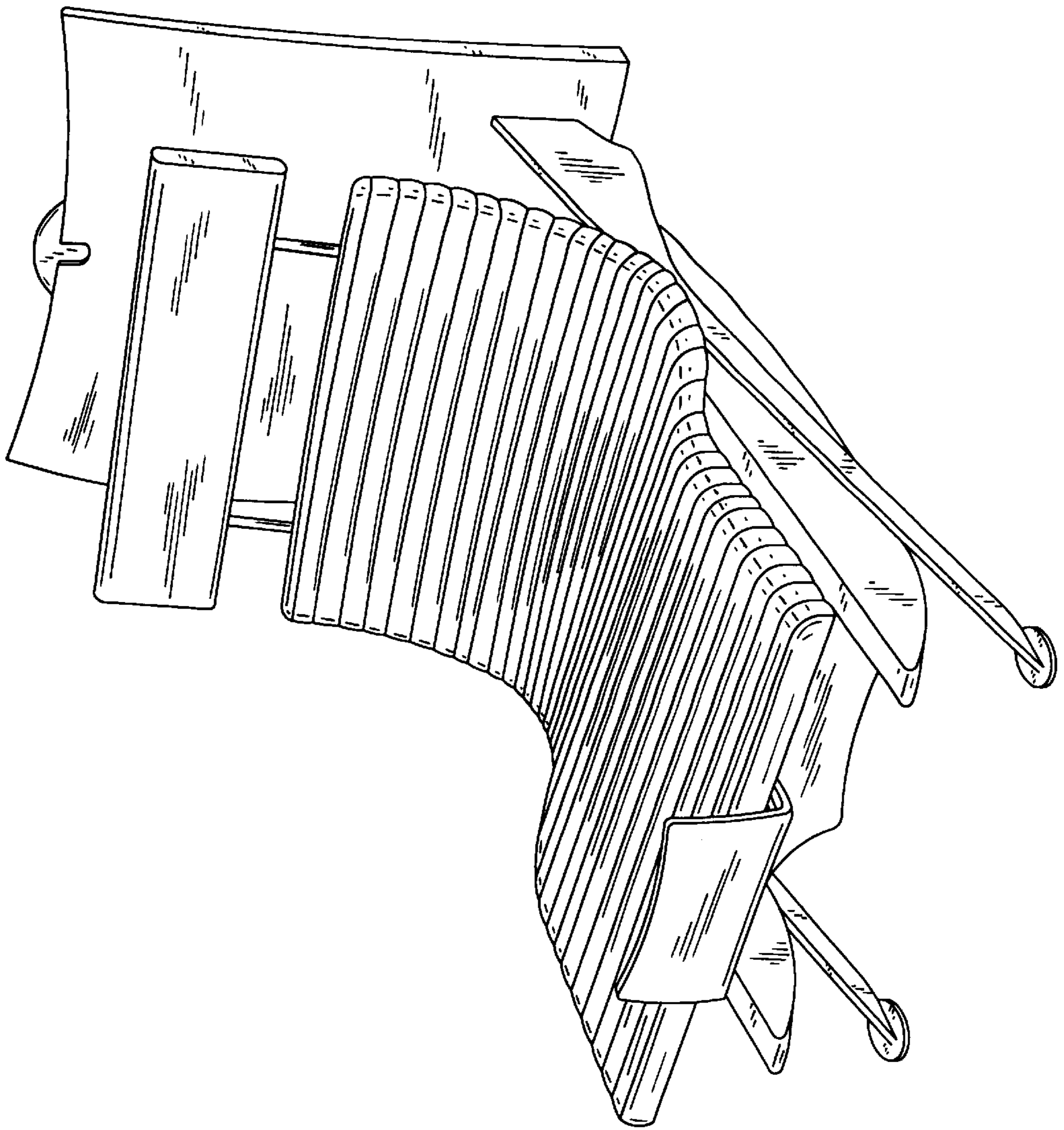


Fig. 3

FIG. 3

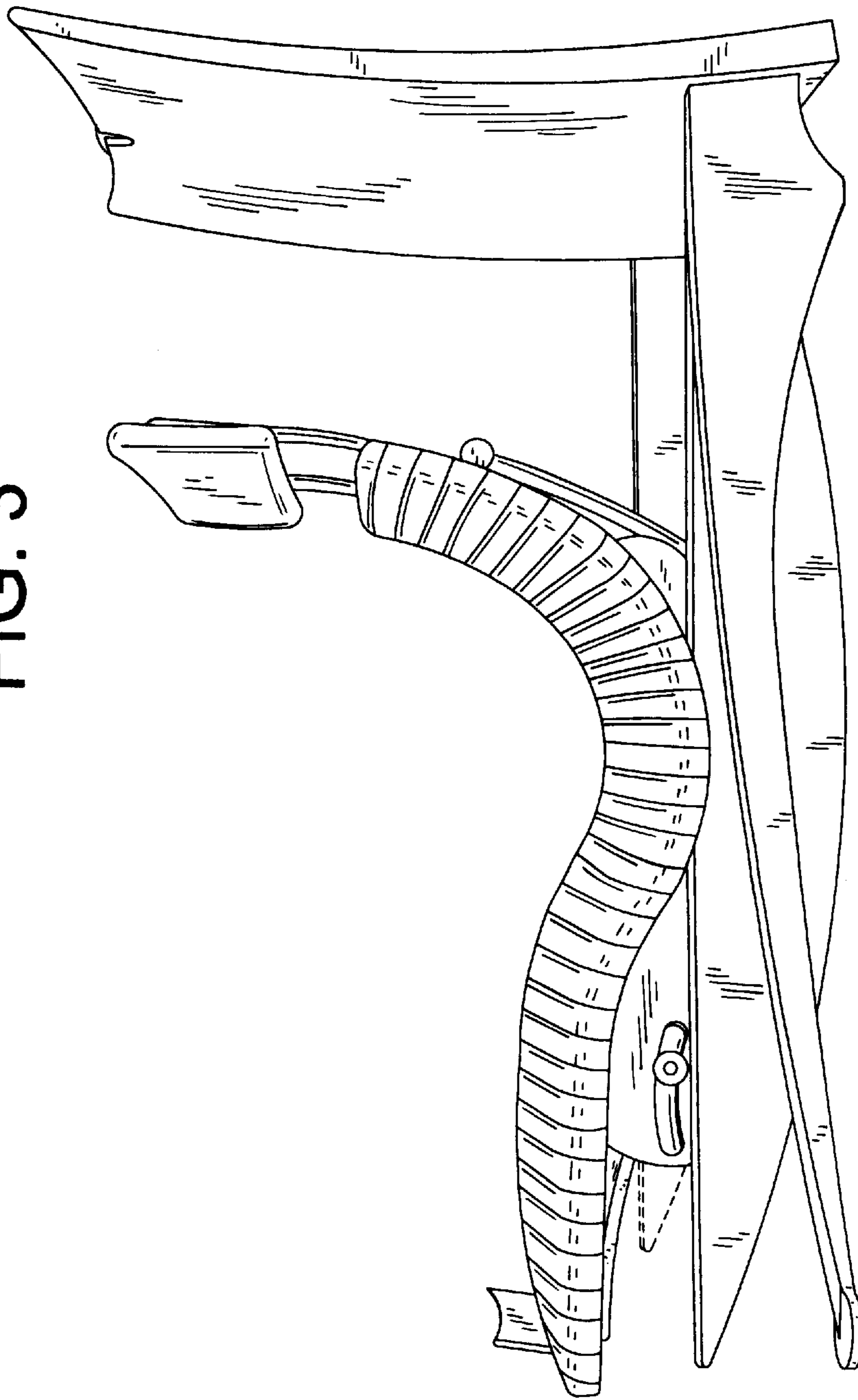


Fig. 4

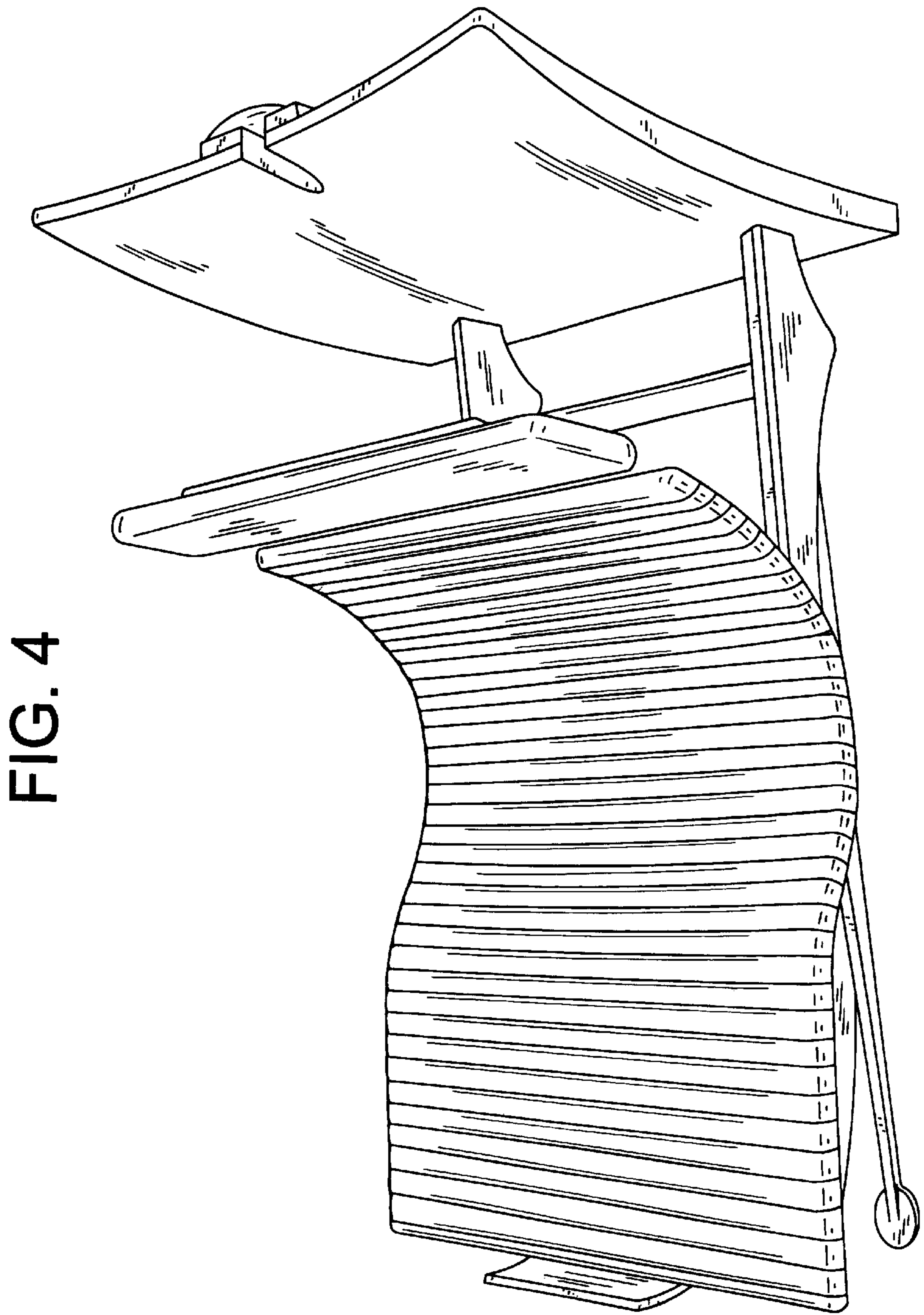


FIG. 4

Fig. 5

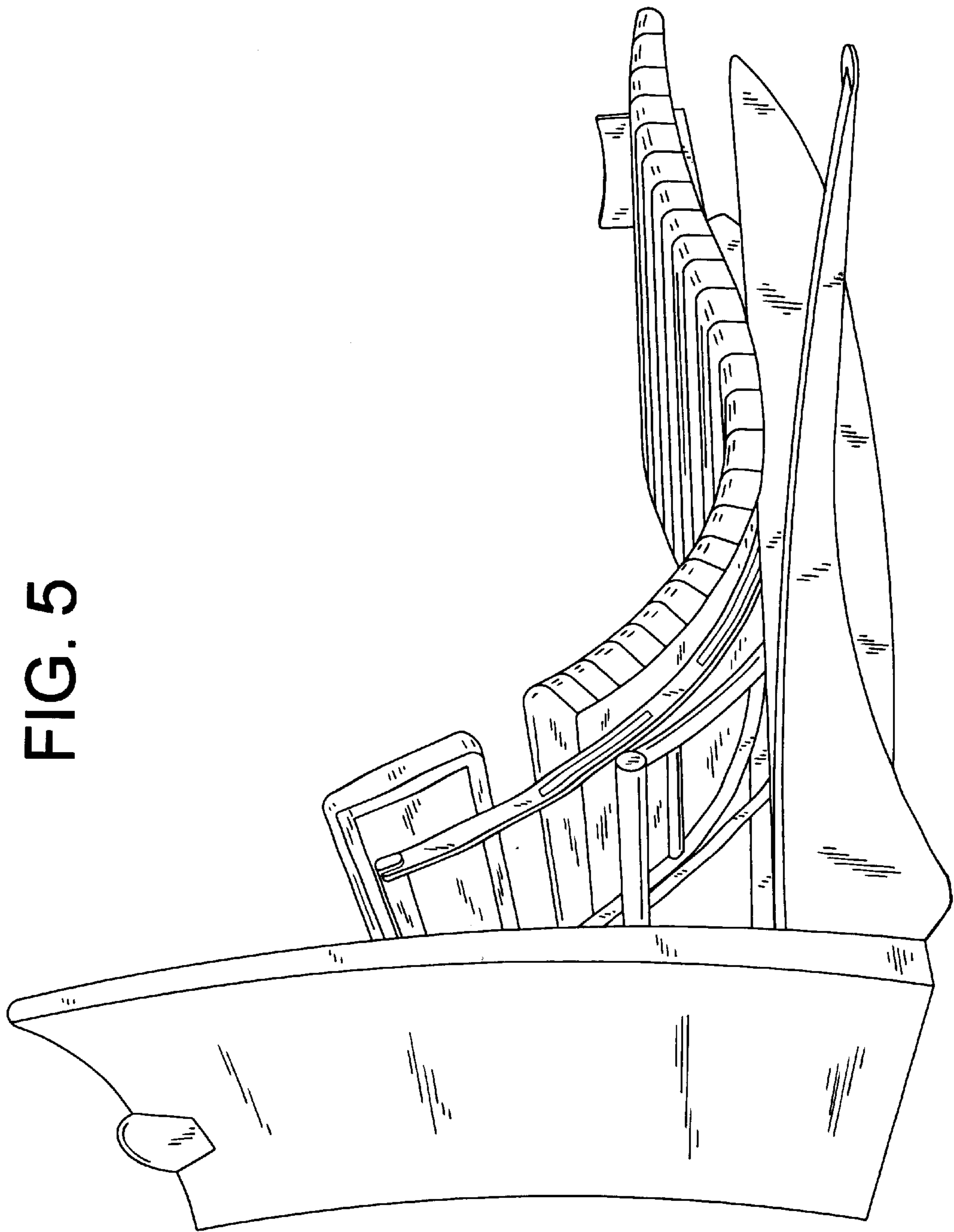


FIG. 5

Fig. 6

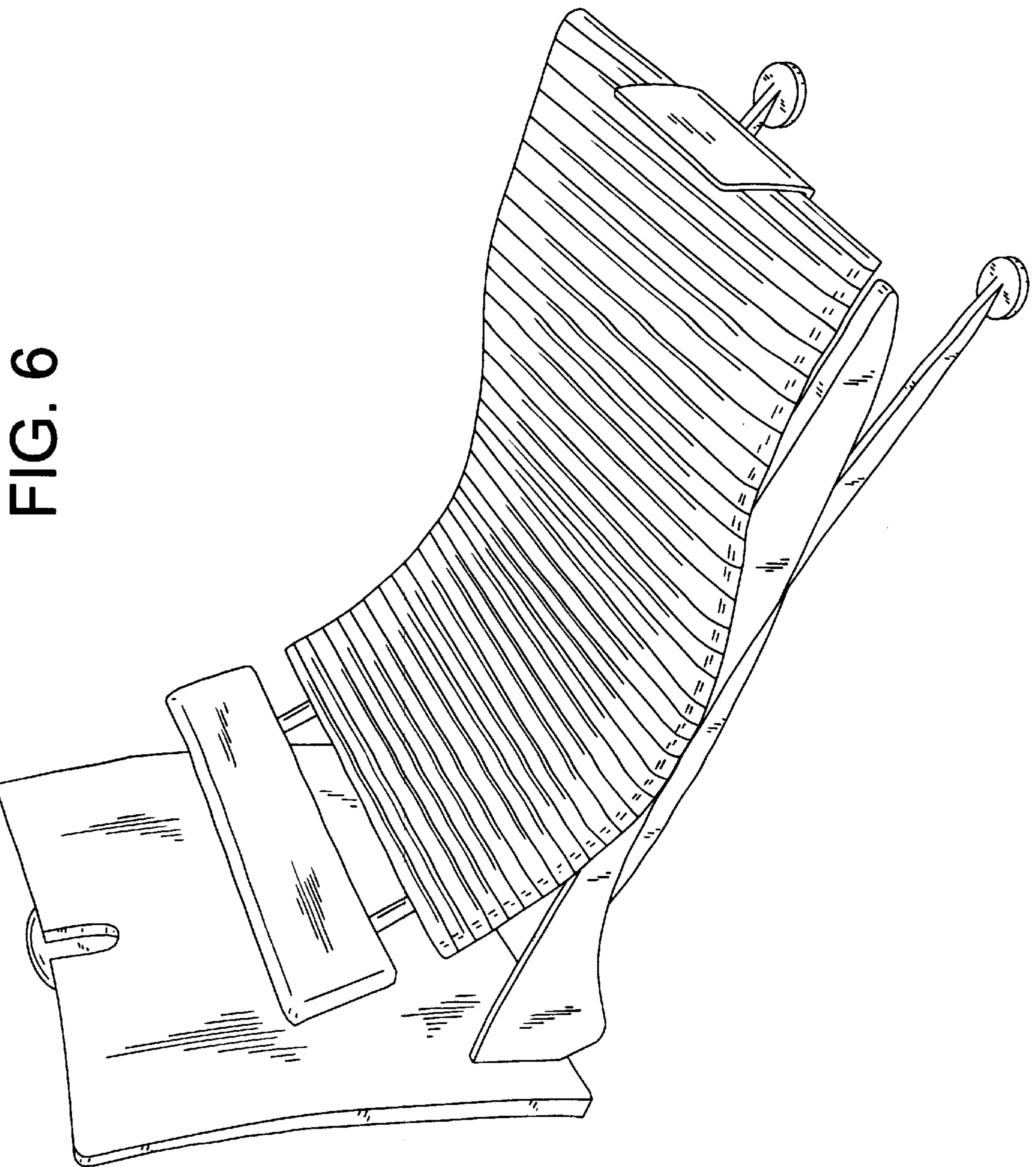


FIG. 6