



US00D444638S

(12) **United States Design Patent**
Magnusson et al.

(10) **Patent No.: US D444,638 S**

(45) **Date of Patent: ** Jul. 10, 2001**

(54) **CHAIR**

(75) Inventors: **Carl G. Magnusson**, New York, NY (US); **Michael L. McAllister**, Harleysville, PA (US); **Gregory P. Allison**, Orefield, PA (US); **Lamar V. White**, Hereford, PA (US); **Bryan B. Bray, Jr.**, Emmaus, PA (US); **William T. Shea**, Barto, PA (US)

(73) Assignee: **Knoll, Inc.**, East Greenville, PA (US)

(**) Term: **14 Years**

(21) Appl. No.: **29/124,709**

(22) Filed: **Jun. 9, 2000**

(51) **LOC (7) Cl.** **06-01**

(52) **U.S. Cl.** **D6/366**

(58) **Field of Search** D6/334, 335, 364, D6/365, 366, 367, 500, 501, 502; 297/411.2, 411.27, 411.31, 411.36

(56) **References Cited**

U.S. PATENT DOCUMENTS

D. 274,864	7/1984	Diffrient .	
D. 274,867	7/1984	Caldwell .	
D. 277,443	2/1985	Murry .	
D. 318,577	7/1991	Chadwick et al. .	
D. 352,181	* 11/1994	Ivicevi	D6/366
D. 362,973	* 10/1995	Schultz	D6/366
D. 376,924	12/1996	Beaulieu .	
D. 378,714	4/1997	Beaulieu .	
D. 390,712	* 2/1998	Koepke et al.	D6/366
D. 399,664	* 10/1998	Goodworth et al.	D6/366

D. 407,911	* 4/1999	Bräuning	D6/366
D. 410,342	* 6/1999	Dammermann et al.	D6/366
D. 418,685	* 1/2000	Kaczmarek	D6/366
D. 423,241	* 4/2000	Magnusson et al.	D6/366
D. 436,259	* 1/2001	Nagamitsu	D6/366
D. 436,768	* 1/2001	Jenkins et al.	D6/500
D. 437,701	* 2/2001	Bellini et al.	D6/366
5,921,630	* 7/1999	Cassaday	297/411.36

* cited by examiner

Primary Examiner—Gary D. Watson

(74) *Attorney, Agent, or Firm*—Buchanan Ingersoll, P.C.

(57) **CLAIM**

The ornamental design for a chair, as shown and described.

DESCRIPTION

FIG. 1 is a perspective view of a chair showing our new design;
 FIG. 2 is a front elevational view thereof;
 FIG. 3 is a rear elevational view thereof;
 FIG. 4 is a right side elevational view thereof;
 FIG. 5 is a left side elevational view thereof;
 FIG. 6 is a top plan view thereof;
 FIG. 7 is a bottom plan view thereof;
 FIG. 8 is a perspective view of a second embodiment of our new design;
 FIG. 9 is a front elevational view thereof;
 FIG. 10 is a rear elevational view thereof;
 FIG. 11 is a right side elevational view thereof;
 FIG. 12 is a left side elevational view thereof;
 FIG. 13 is a top plan view thereof; and,
 FIG. 14 is a bottom plan view thereof.

1 Claim, 12 Drawing Sheets

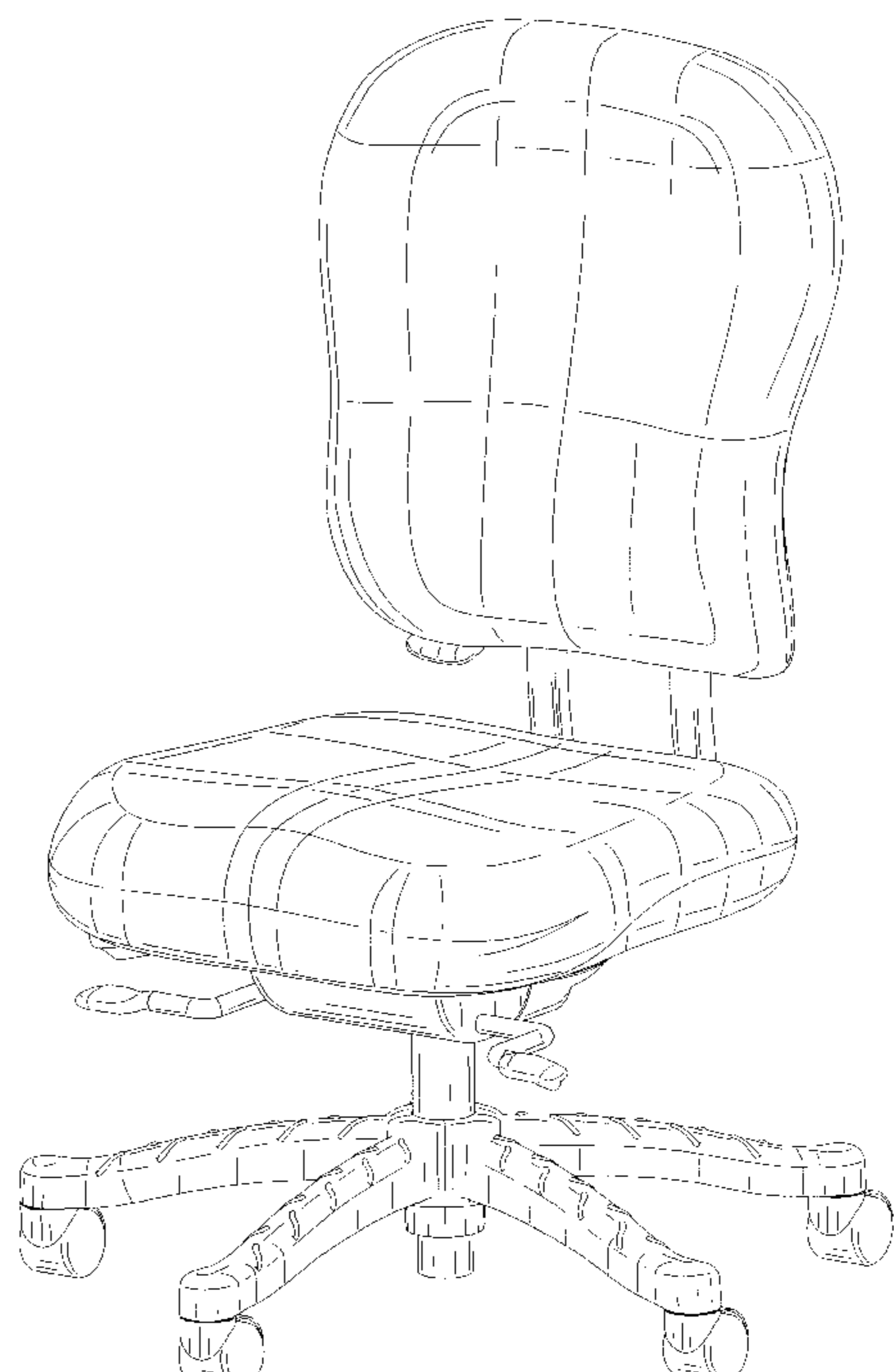
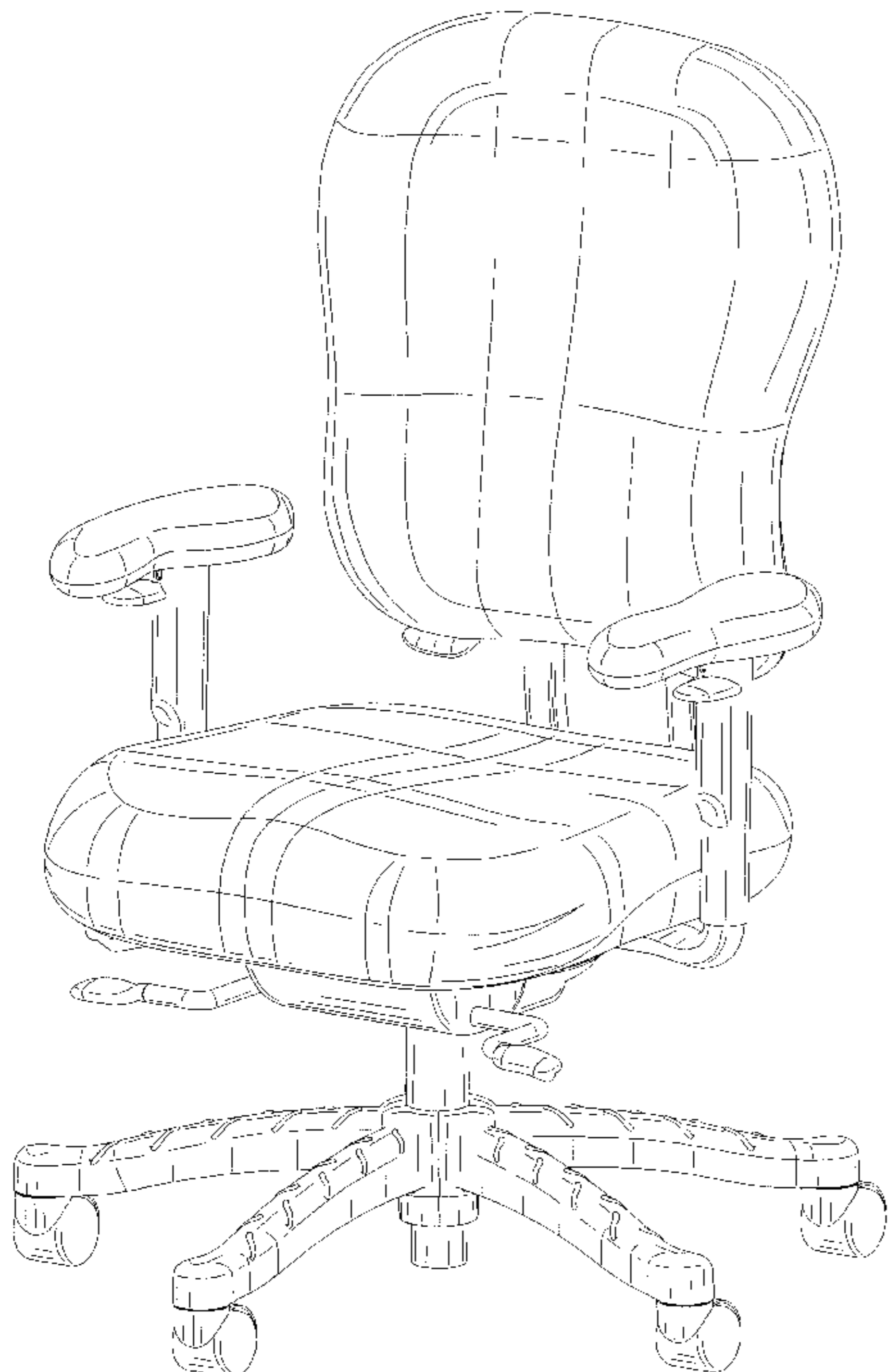




FIG. 1

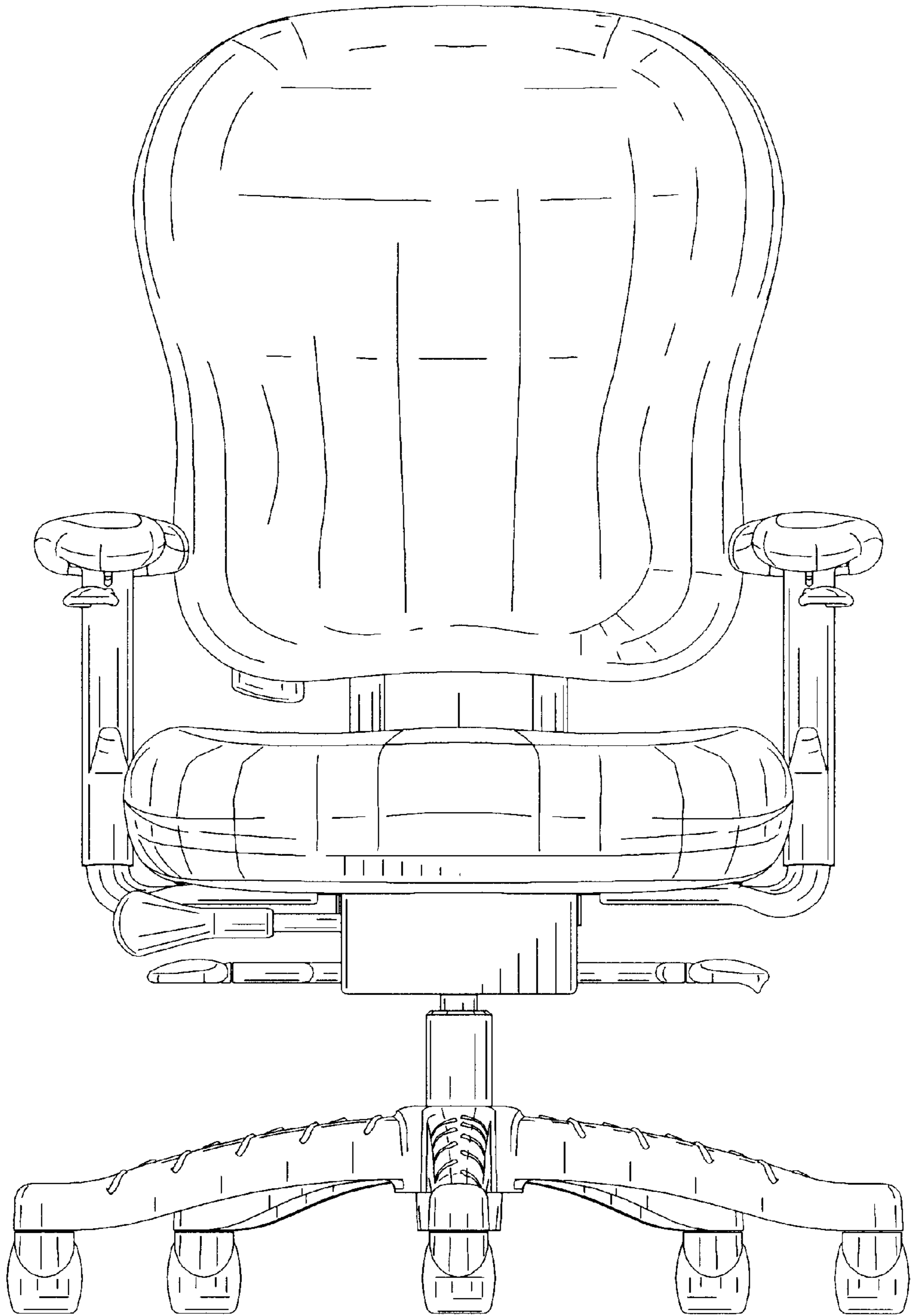


FIG. 2

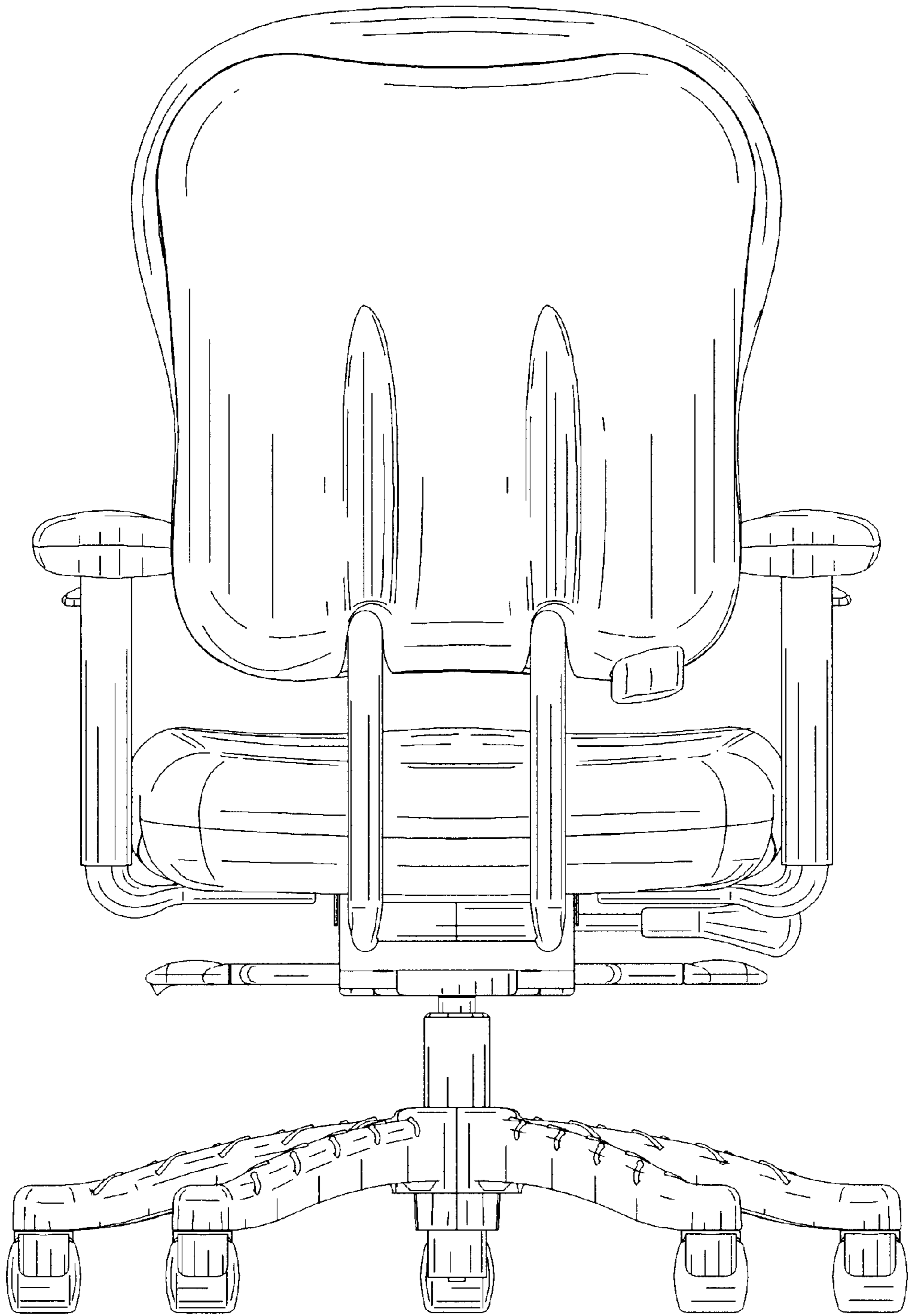


FIG. 3

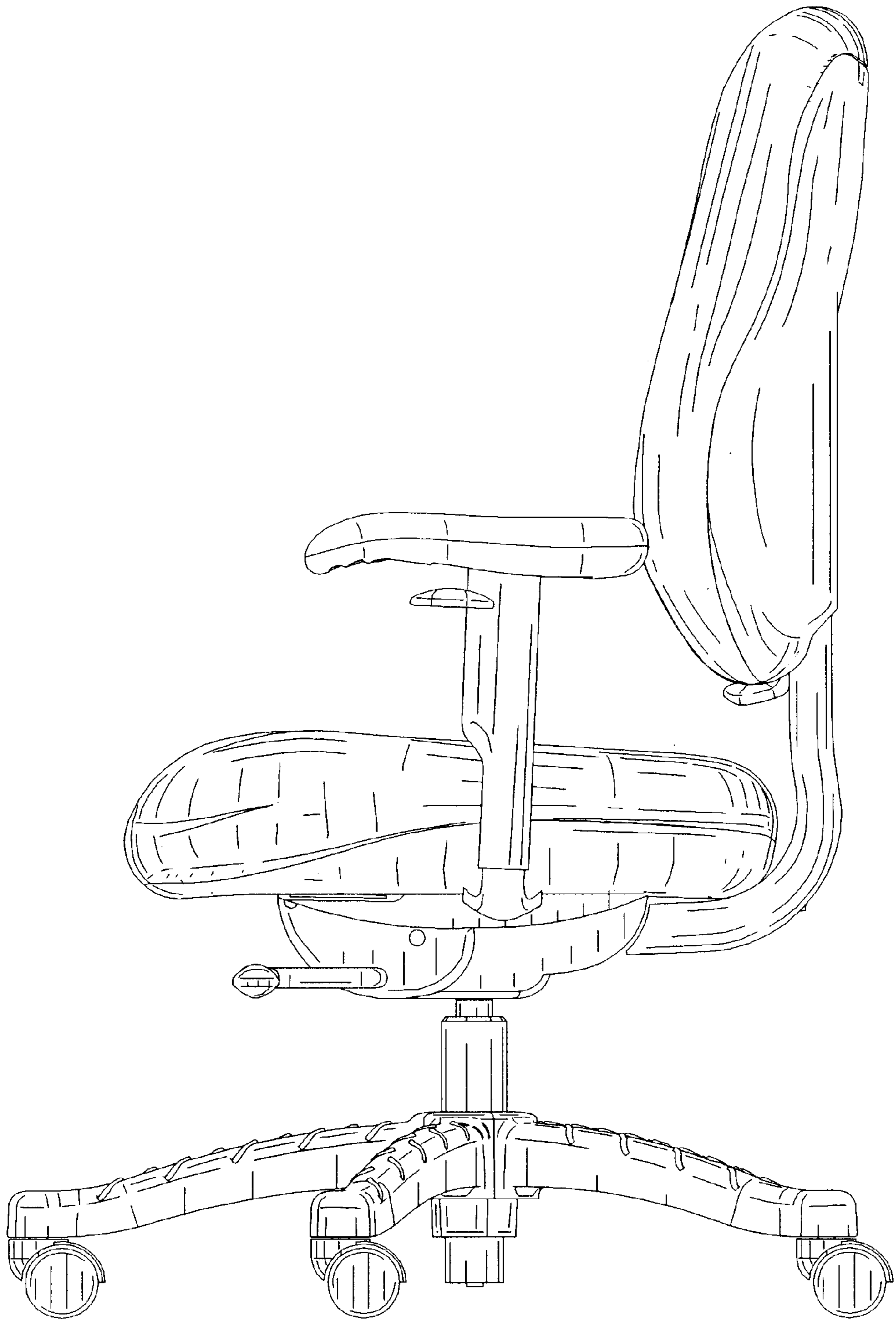


FIG. 4

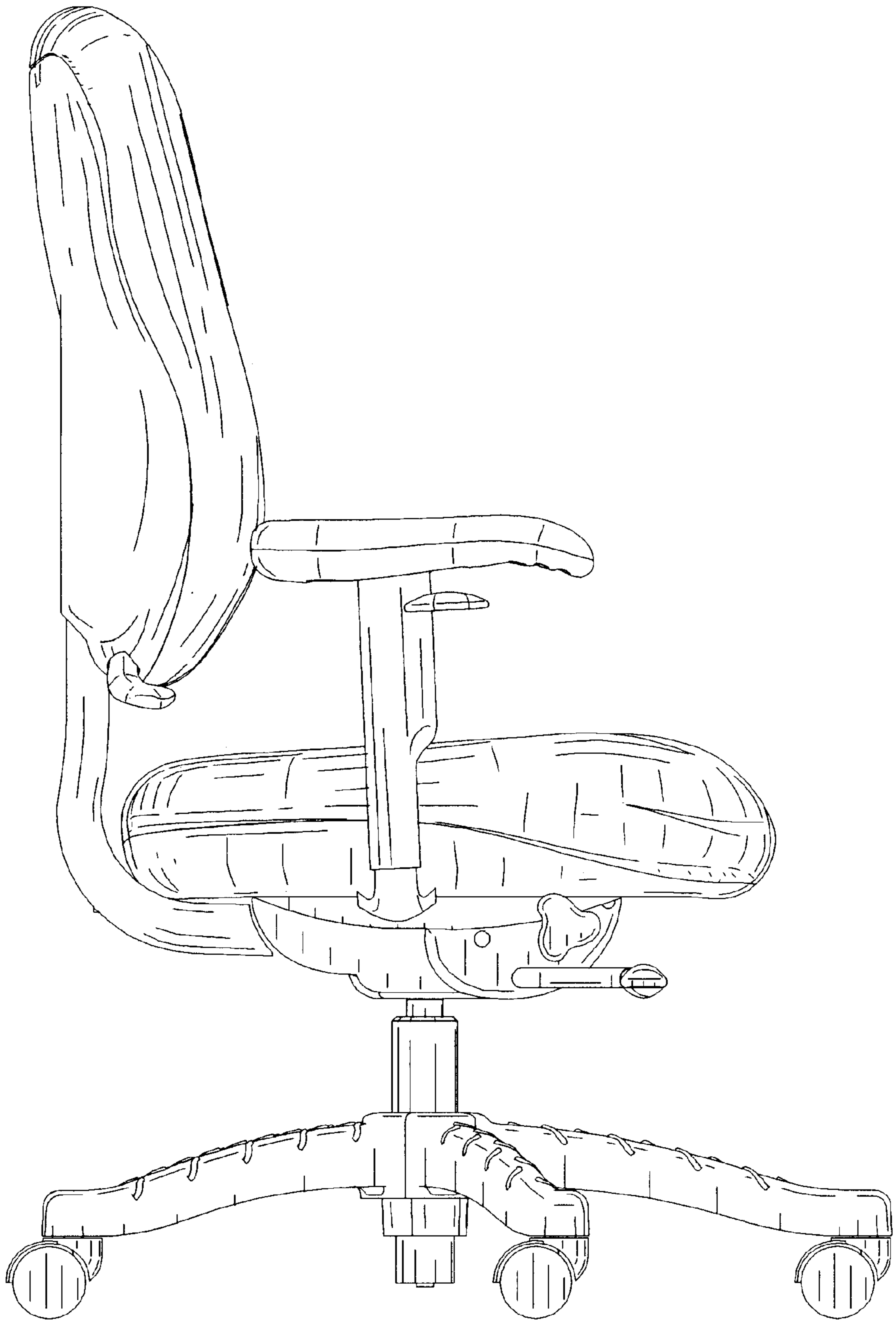


FIG. 5

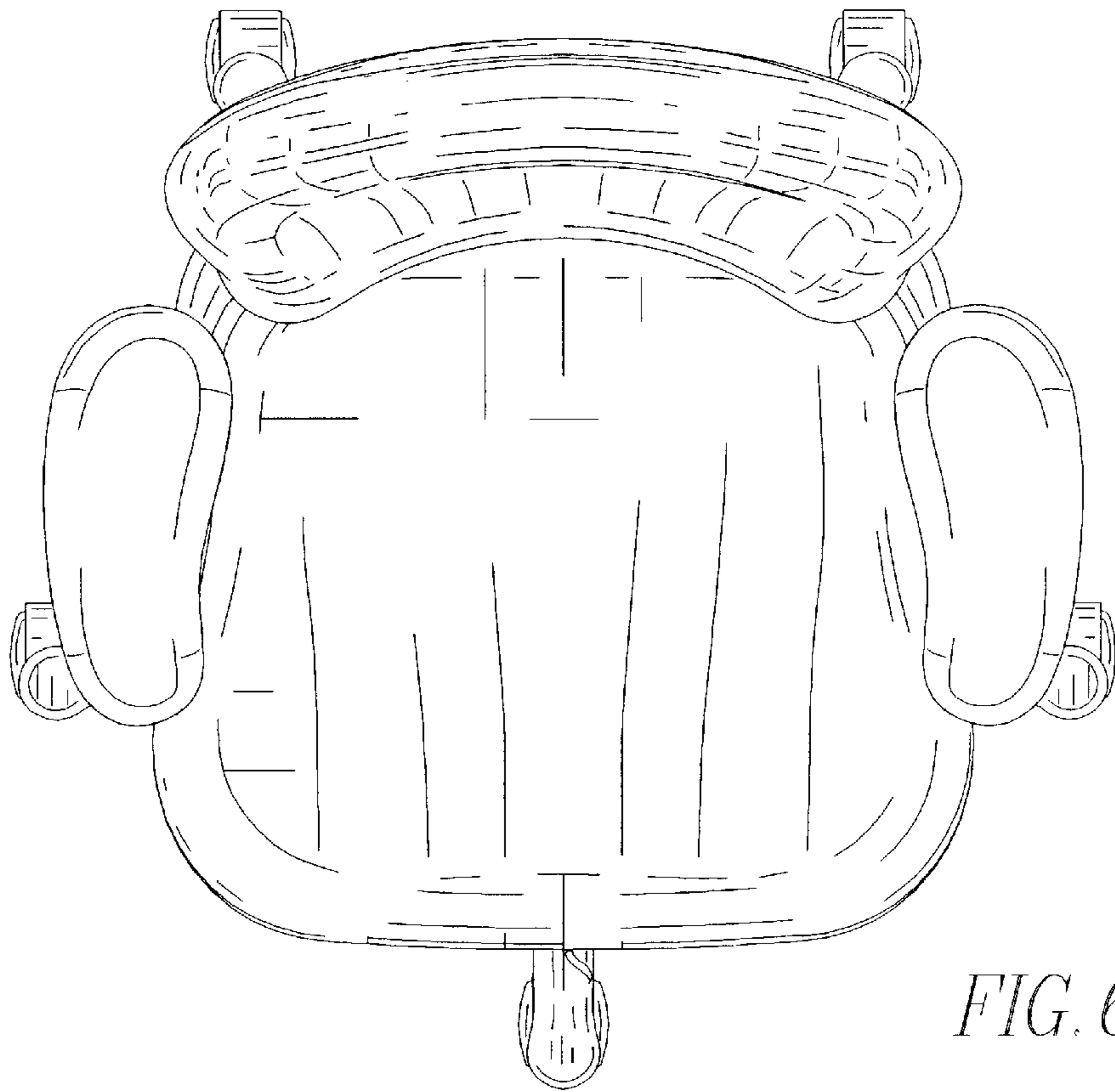


FIG. 6

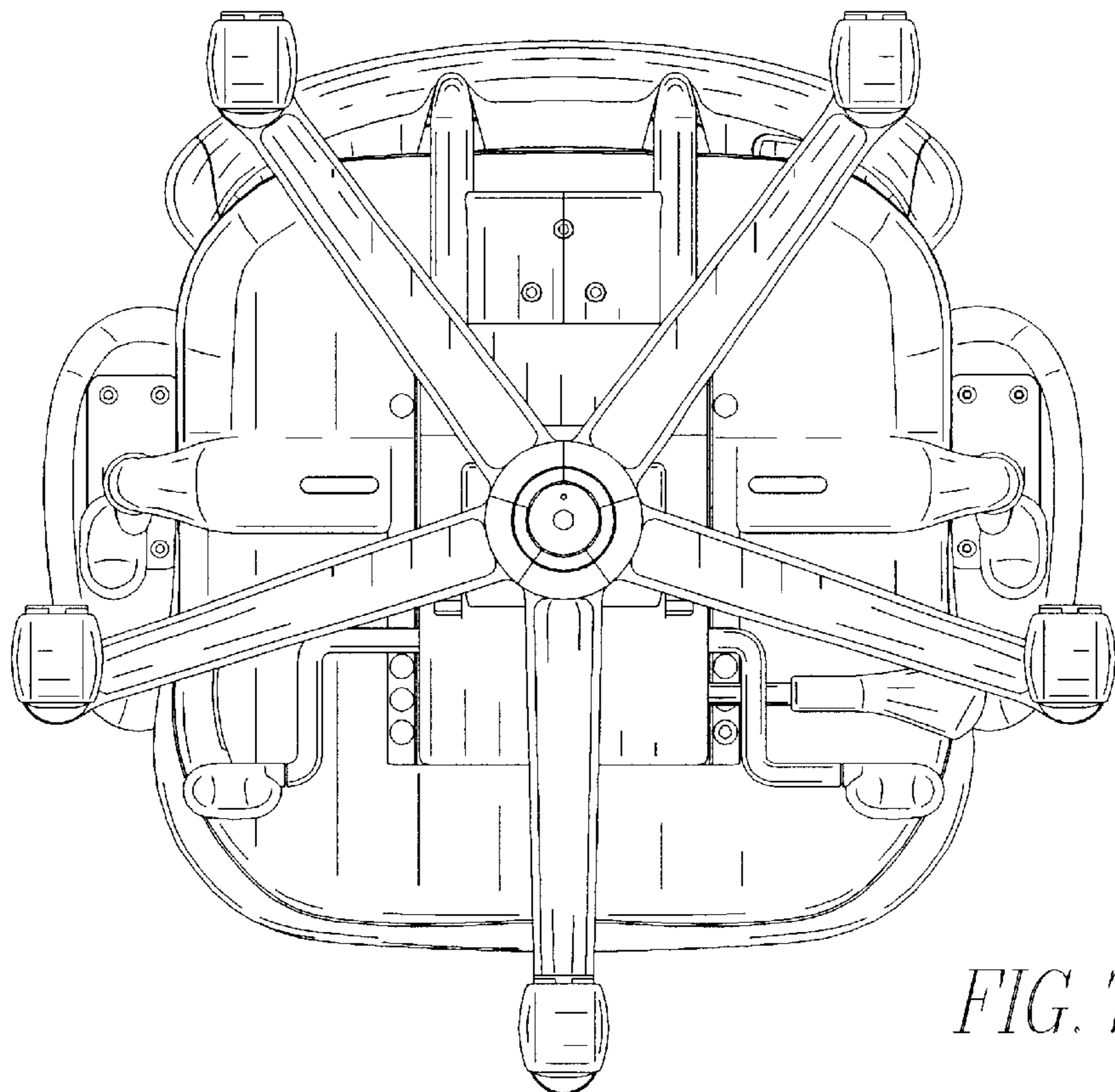


FIG. 7

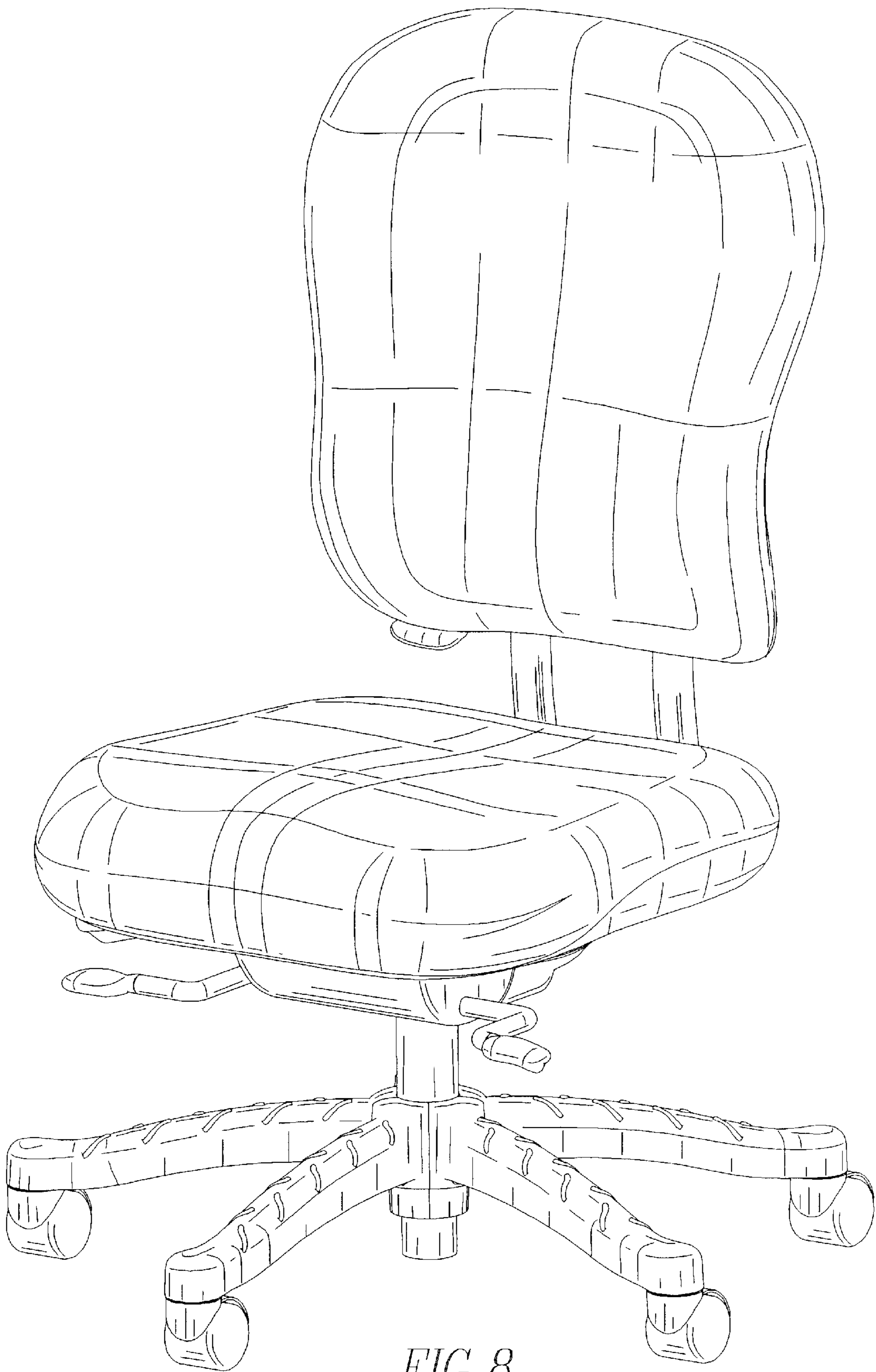


FIG. 8

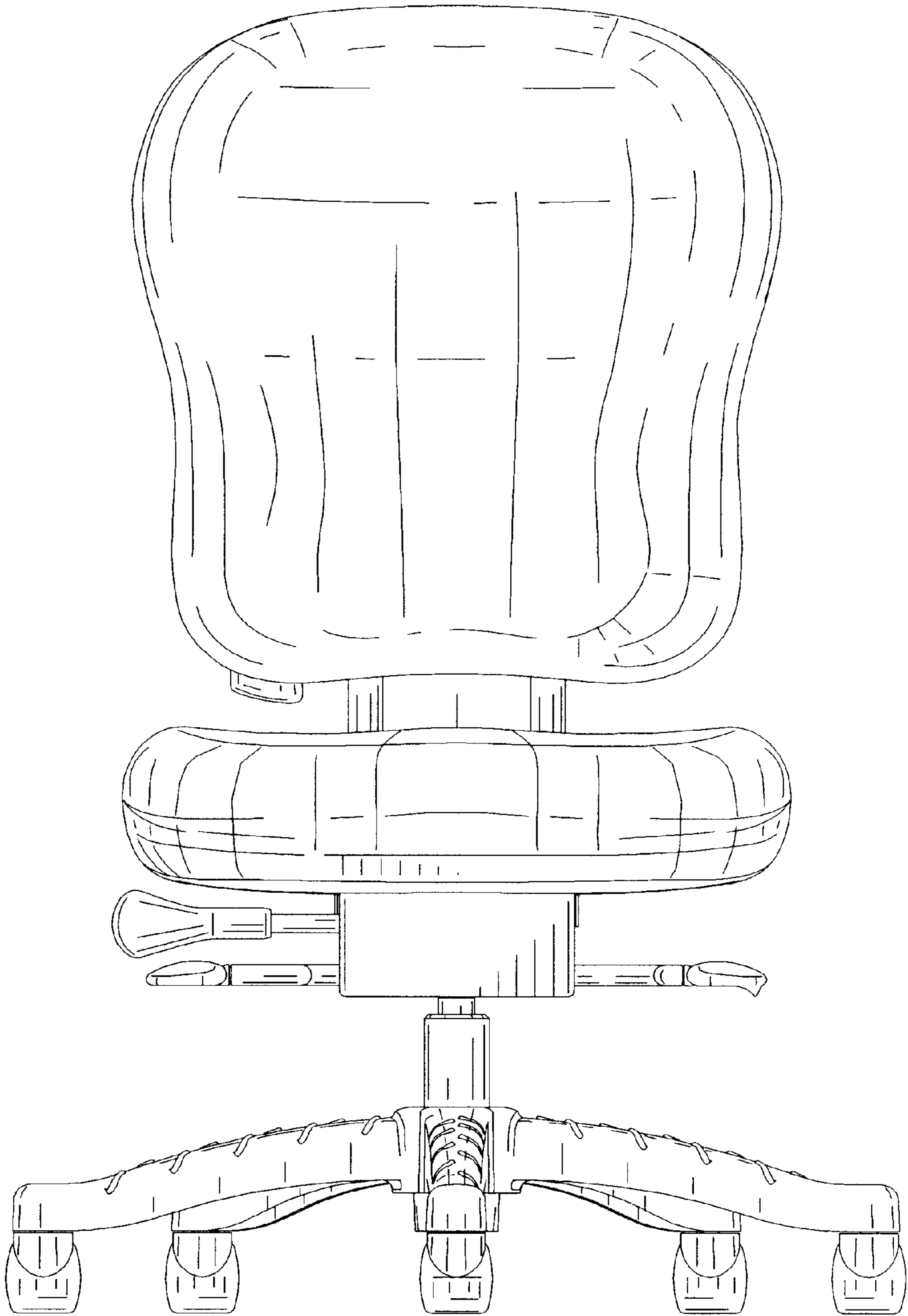


FIG. 9

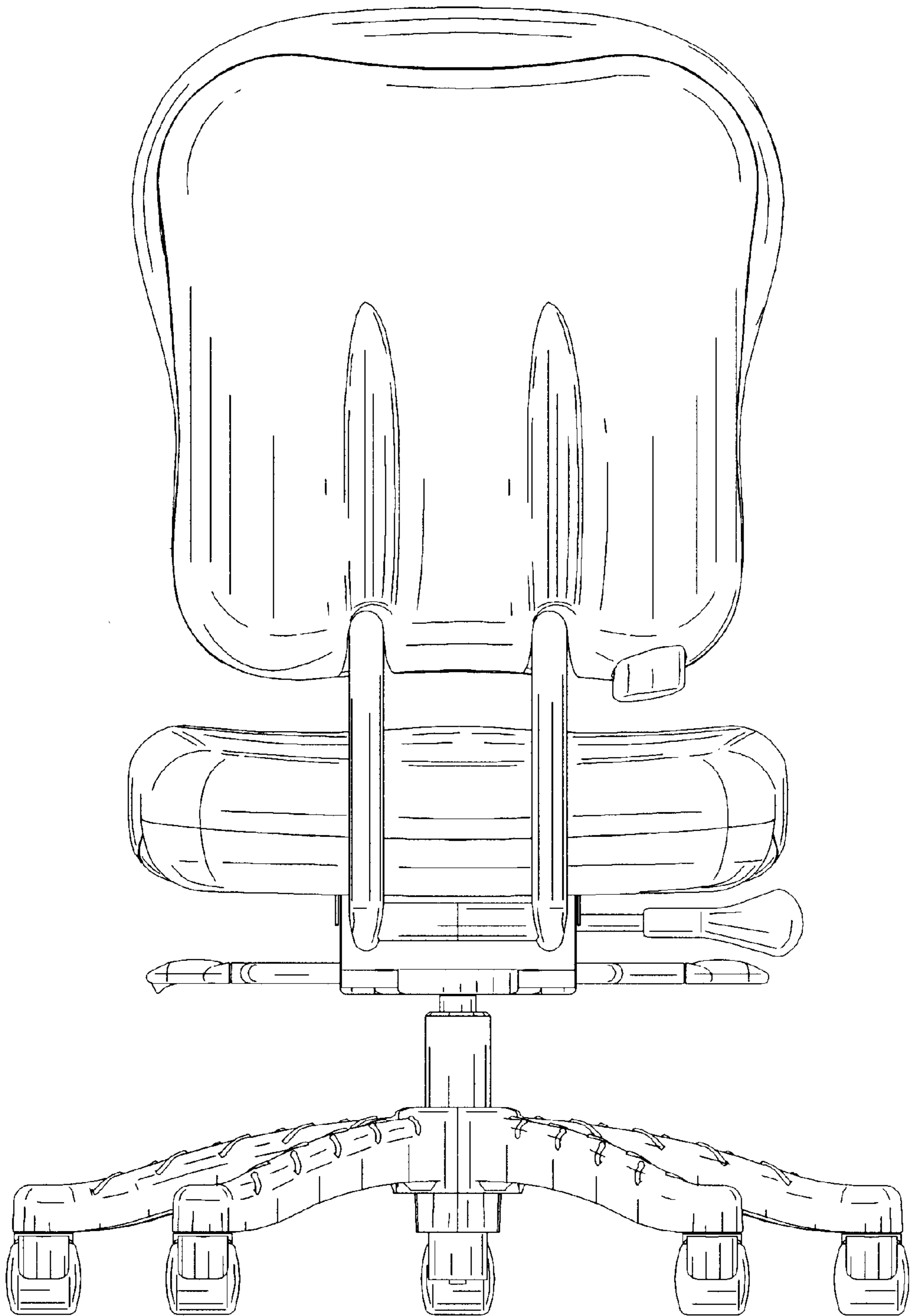


FIG. 10

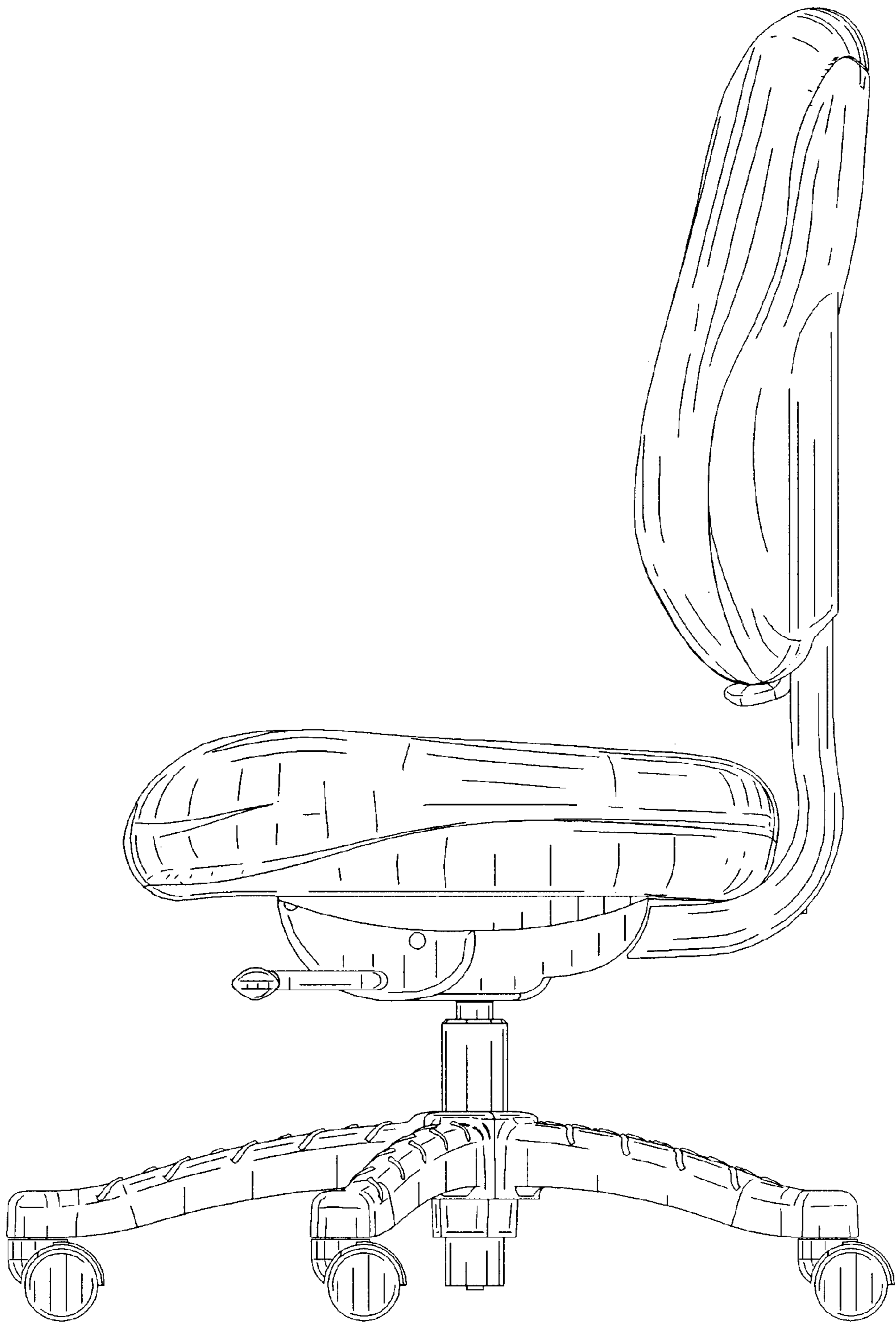


FIG. 11

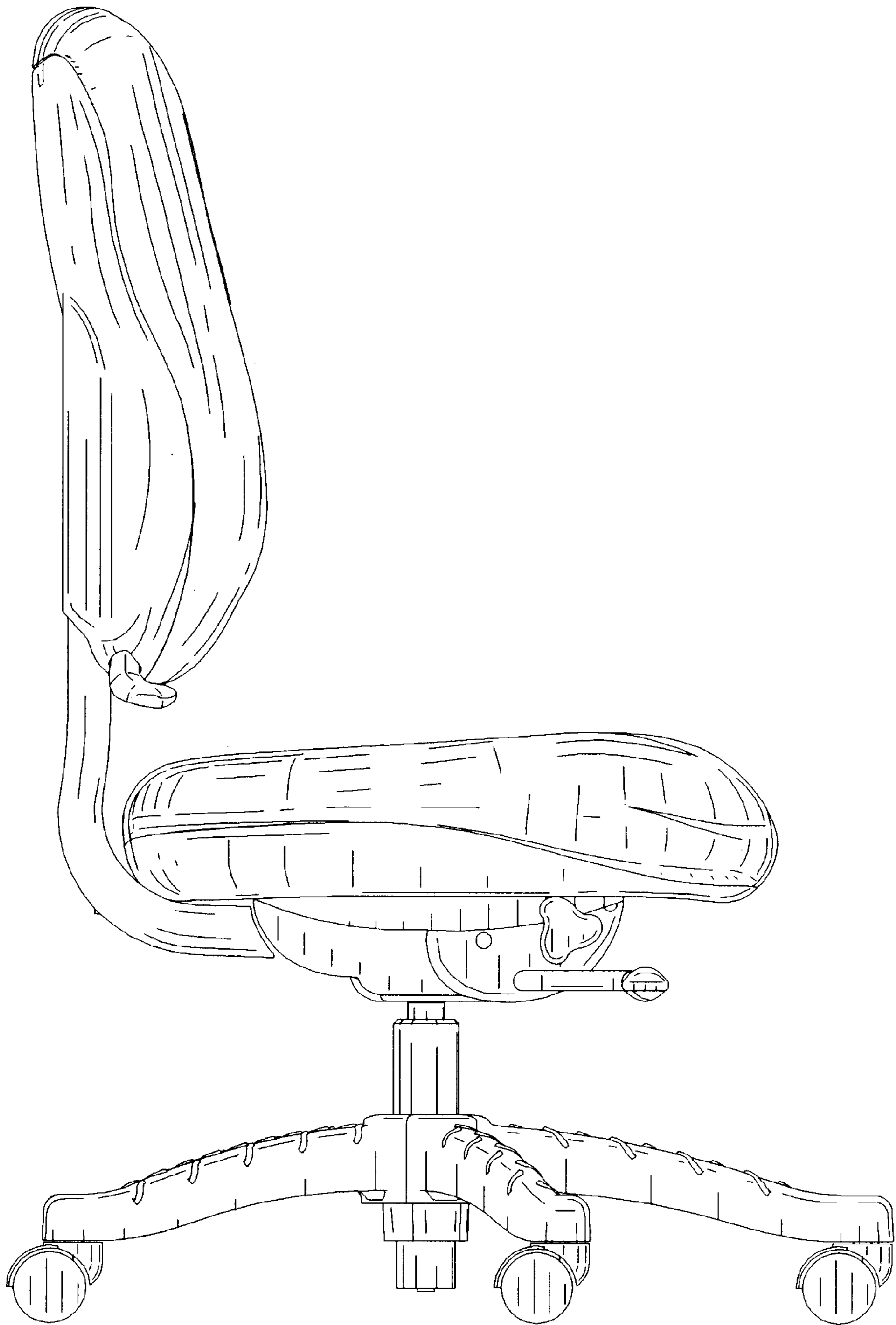


FIG. 12

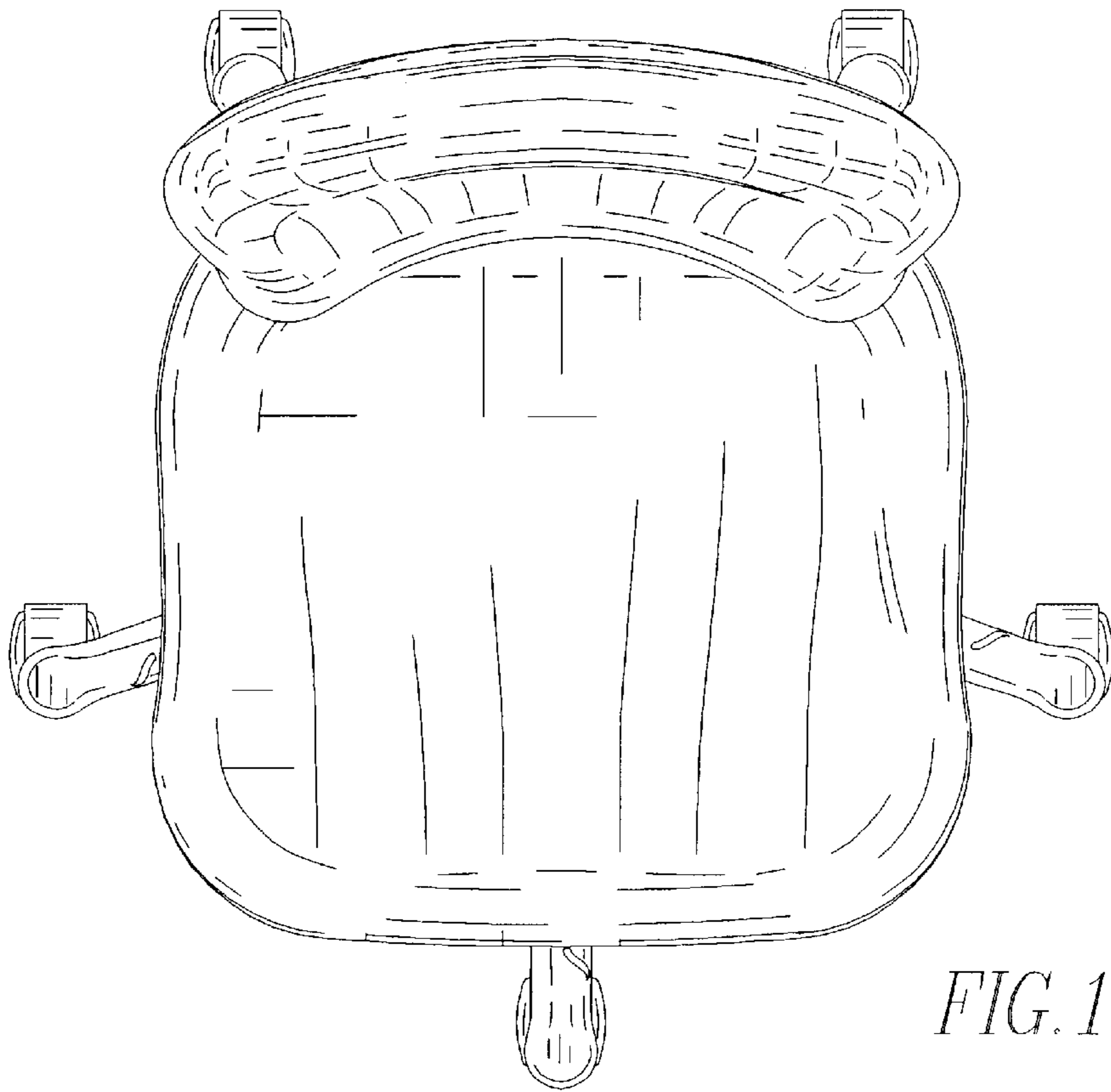


FIG. 13

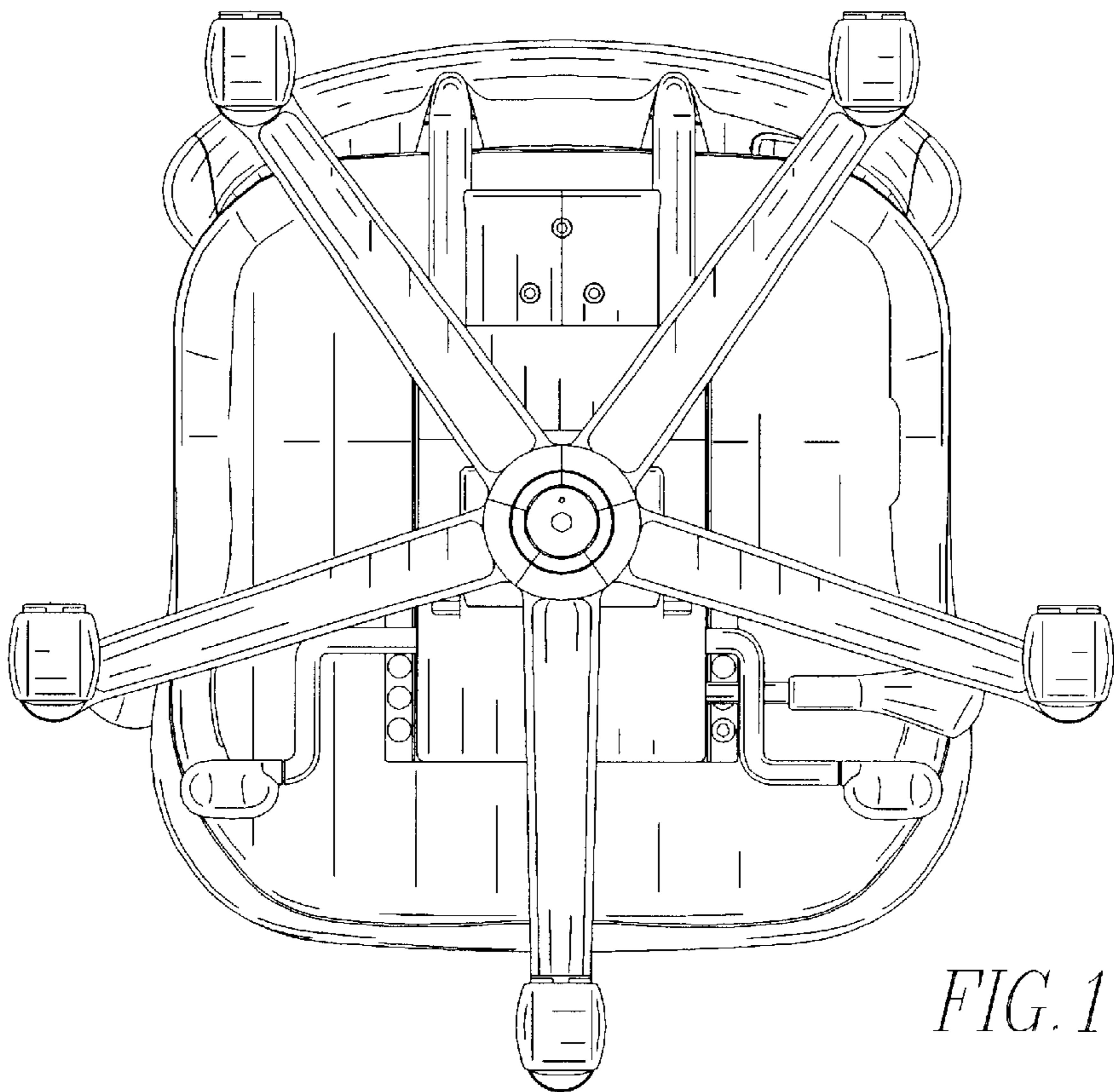


FIG. 14