



US00D444636S

(12) **United States Design Patent**  
**Ooyama**

(10) **Patent No.:** **US D444,636 S**

(45) **Date of Patent:** **\*\* Jul. 10, 2001**

(54) **SEAT FOR BARBER OR BEAUTY CHAIR**

(75) Inventor: **Kazuo Ooyama, Osaka (JP)**

(73) Assignee: **Oohiro Works, Ltd., Osaka (JP)**

(\*\*) Term: **14 Years**

(21) Appl. No.: **29/126,732**

(22) Filed: **Jul. 21, 2000**

(30) **Foreign Application Priority Data**

Jan. 31, 2000 (JP) ..... 12-001336

(51) **LOC (7) Cl.** ..... **06-01**

(52) **U.S. Cl.** ..... **D6/360; D6/500**

(58) **Field of Search** ..... D6/334, 335, 336,  
D6/364, 365, 366, 367, 374, 375, 379,  
500-502; 297/411.2, 411.14, 411.25, 411.44,  
423.1, 423.19, 423.25, 411.27, 411.28

(56) **References Cited**

**U.S. PATENT DOCUMENTS**

- D. 40,231 \* 8/1909 Pfanschmidt ..... D6/360
- D. 218,816 \* 9/1970 Leaver ..... D6/365
- D. 256,967 \* 9/1980 Hirota ..... D6/360
- D. 309,382 \* 7/1990 Buhk ..... D6/360
- D. 331,154 \* 11/1992 Sheridan ..... D6/366
- D. 354,176 \* 1/1995 Schwaegerle et al. .... D6/360
- D. 355,303 \* 2/1995 Scheper et al. .... D6/366

- D. 390,712 \* 2/1998 Koepke et al. .... D6/366
- D. 395,762 \* 7/1998 Saul ..... D6/366
- D. 409,022 \* 5/1999 Vanderwood et al. .... D6/500
- D. 418,316 \* 1/2000 Vogtherr ..... D6/366
- D. 422,802 \* 4/2000 Deacon ..... D6/366
- D. 425,715 \* 5/2000 Breen ..... D6/366
- D. 429,584 \* 8/2000 Brettschneider et al. .... D6/500
- D. 433,853 \* 11/2000 Shamir ..... D6/500

\* cited by examiner

*Primary Examiner*—Doris V. Coles

*Assistant Examiner*—Mimosa De

(74) *Attorney, Agent, or Firm*—Burr & Brown

(57) **CLAIM**

The ornamental design for a seat for barber or beauty chair, as shown and described.

**DESCRIPTION**

FIG. 1 is a front view of a seat for barber or beauty chair in accordance with my new design;  
 FIG. 2 is a back view thereof;  
 FIG. 3 is a right side view thereof, the left side view being a mirror image thereof;  
 FIG. 4 is a top view thereof;  
 FIG. 5 is a bottom view thereof;  
 FIG. 6 is a front perspective view; and,  
 FIG. 7 is a rear perspective view.

**1 Claim, 4 Drawing Sheets**

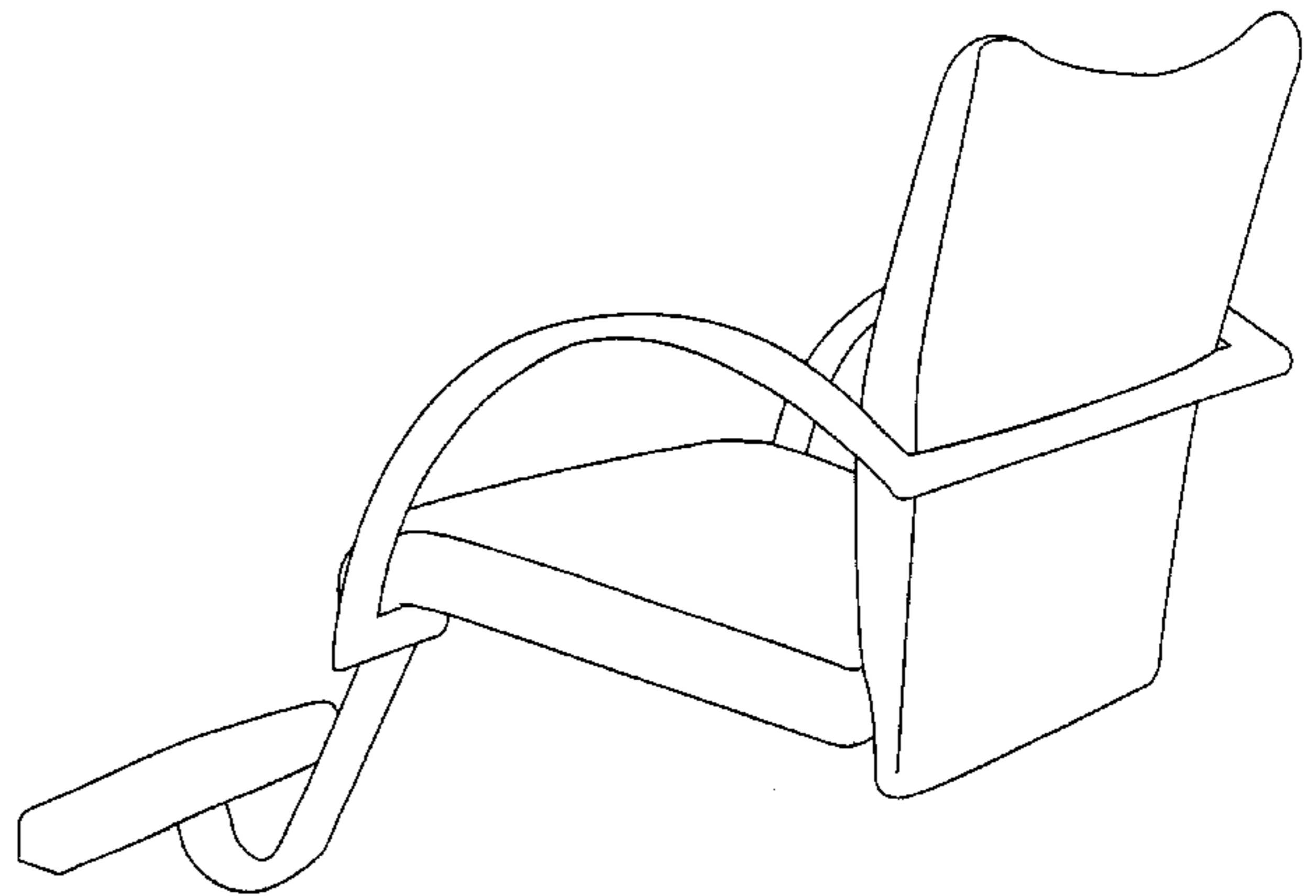
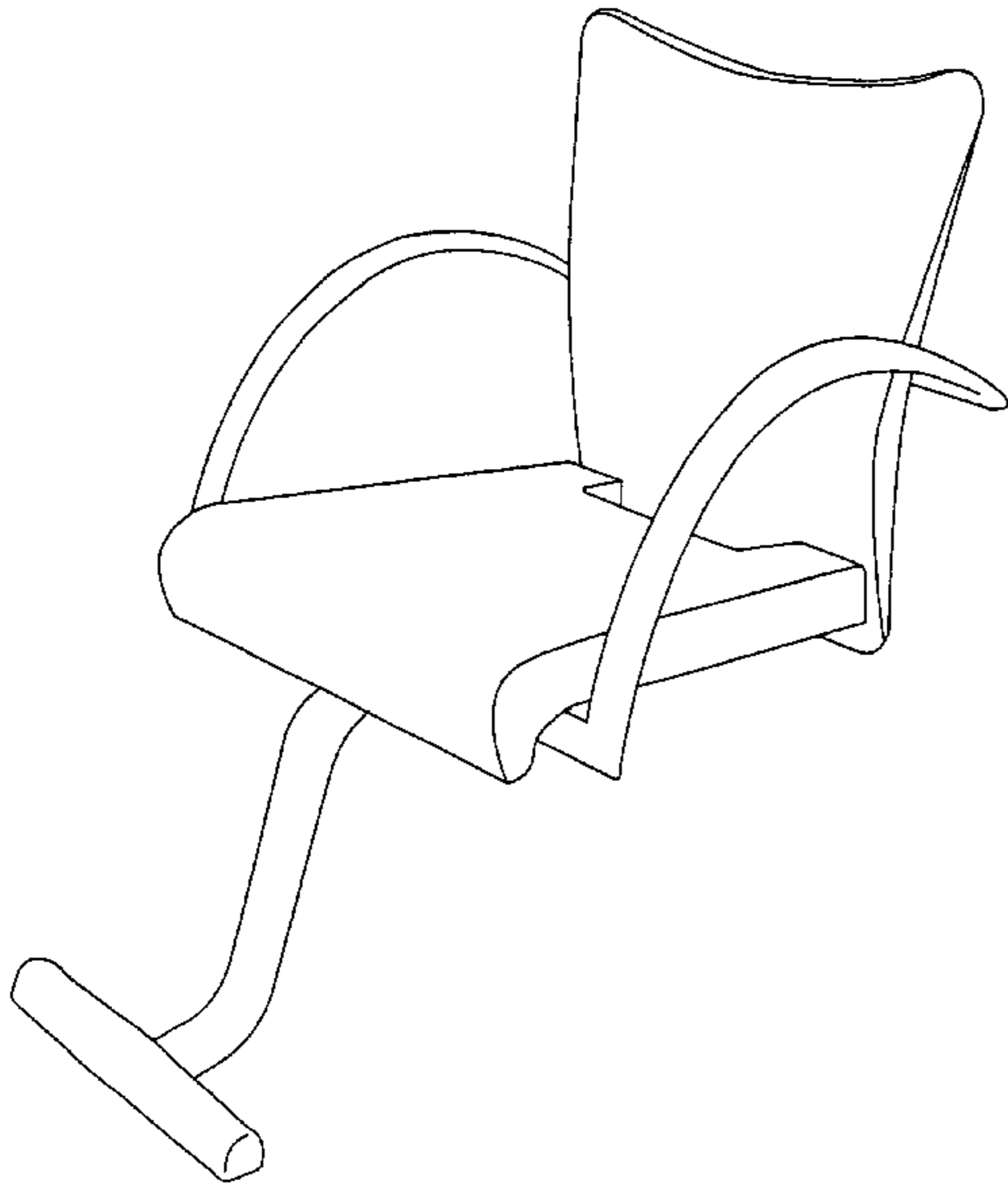


Fig.1

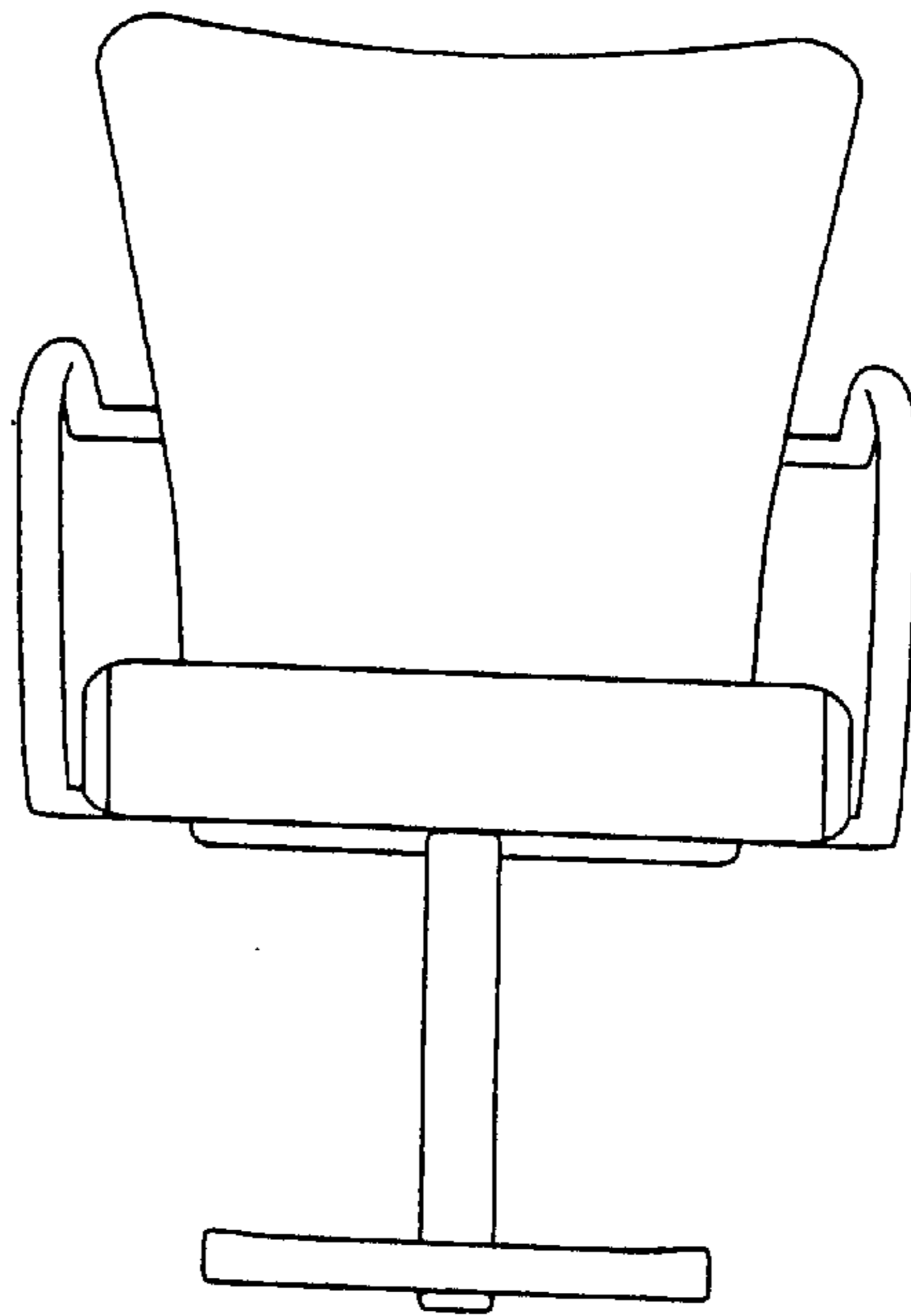


Fig.2

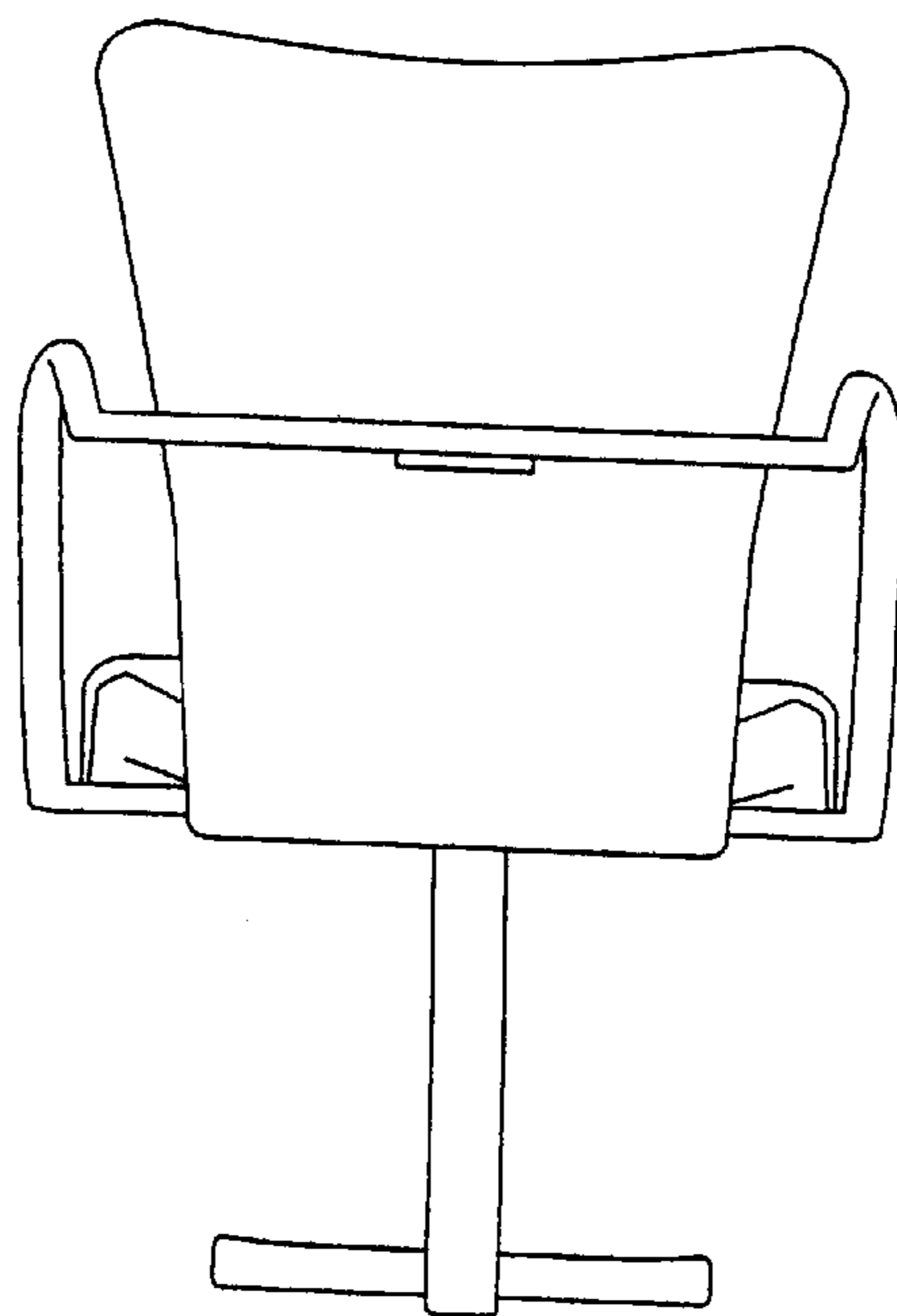


Fig.3

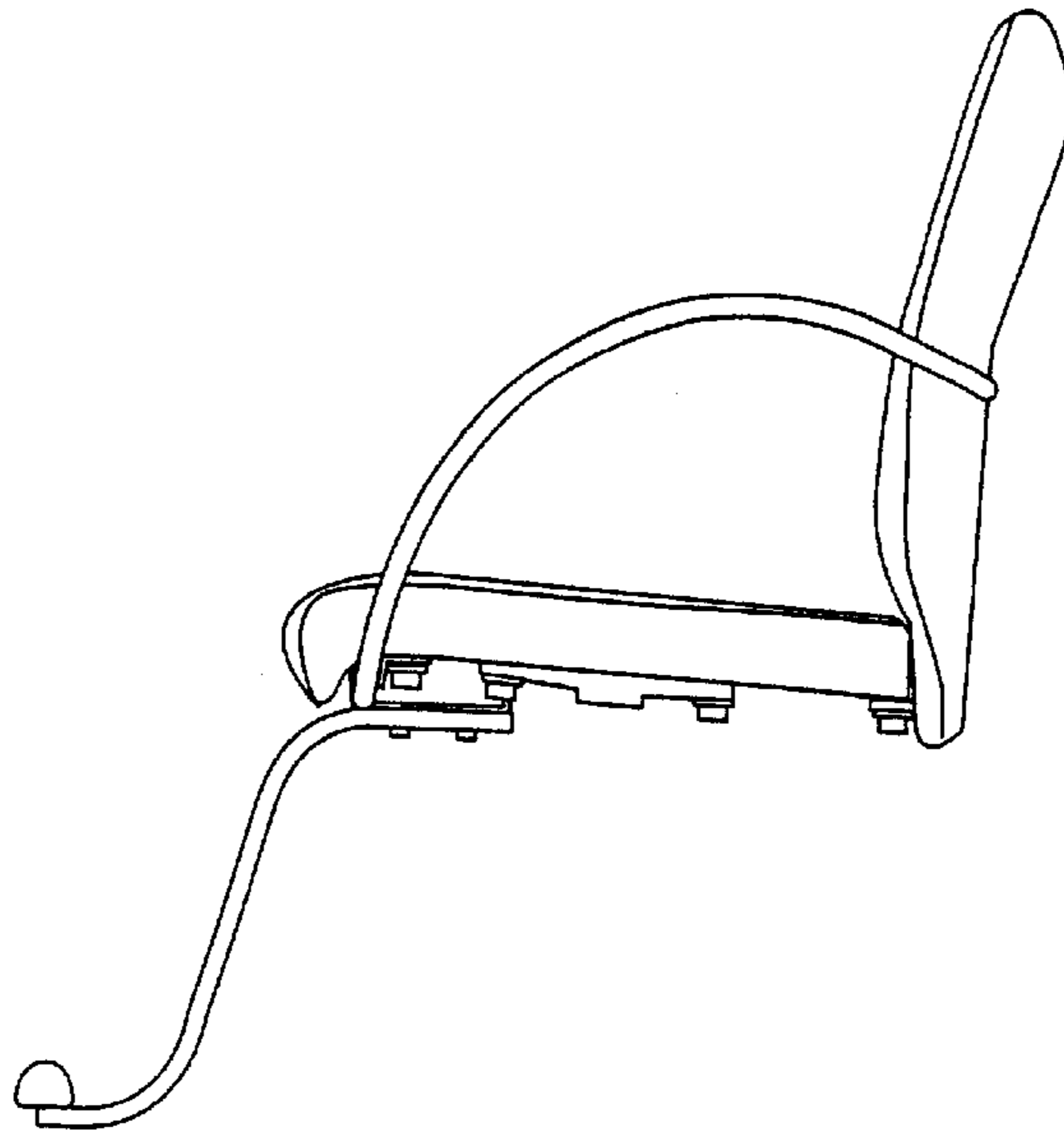


Fig.4

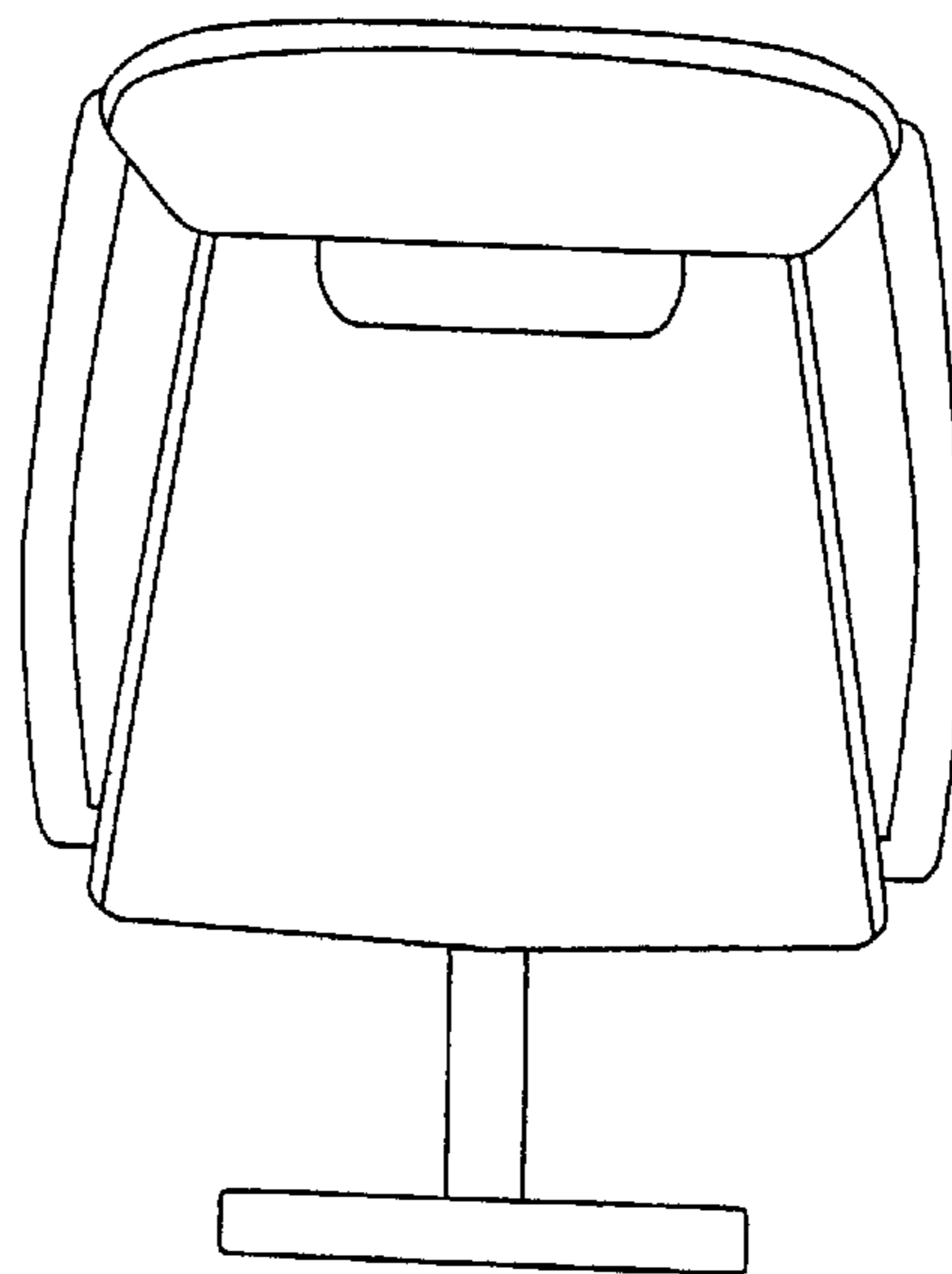


Fig.5

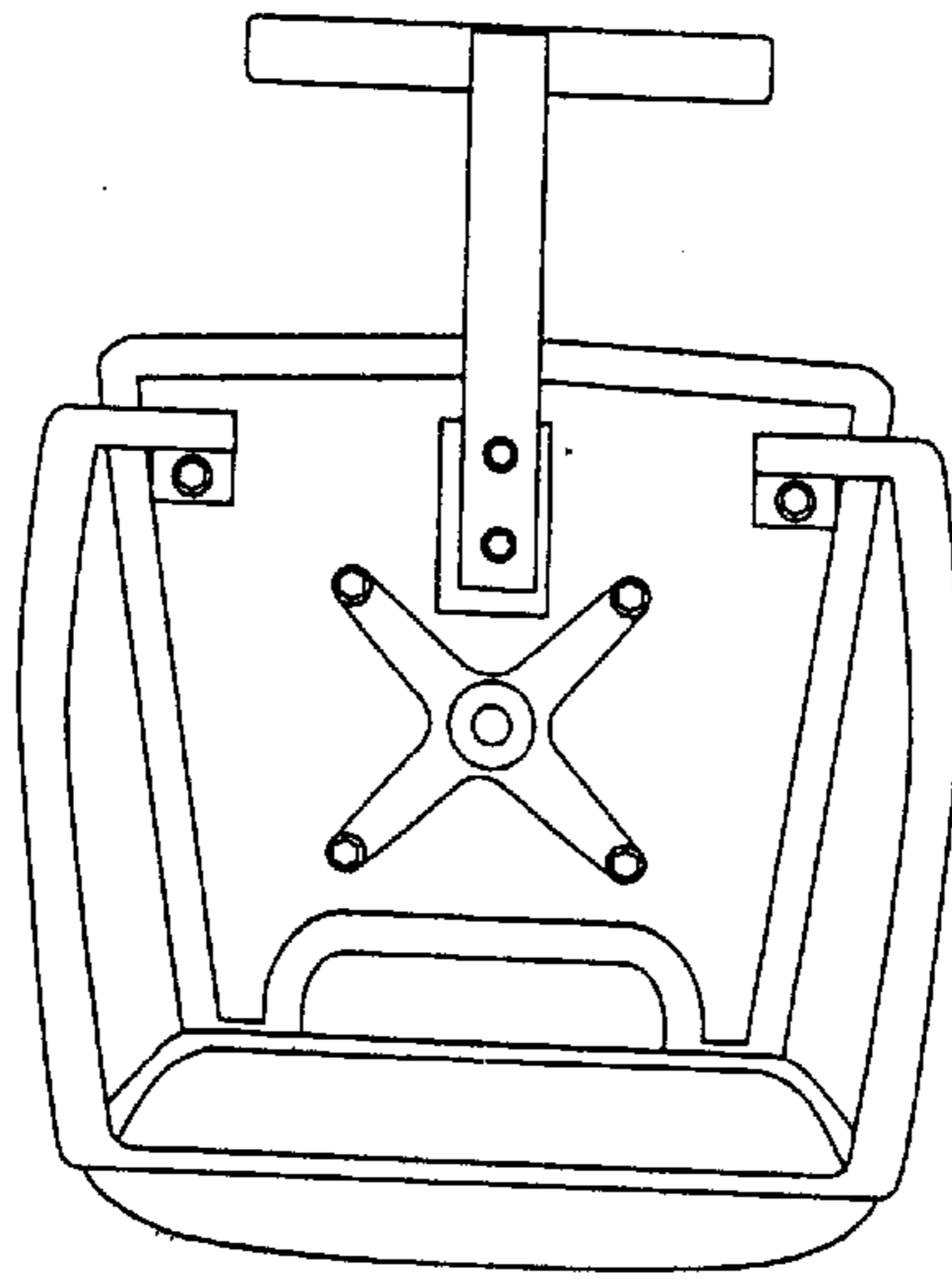


Fig.6

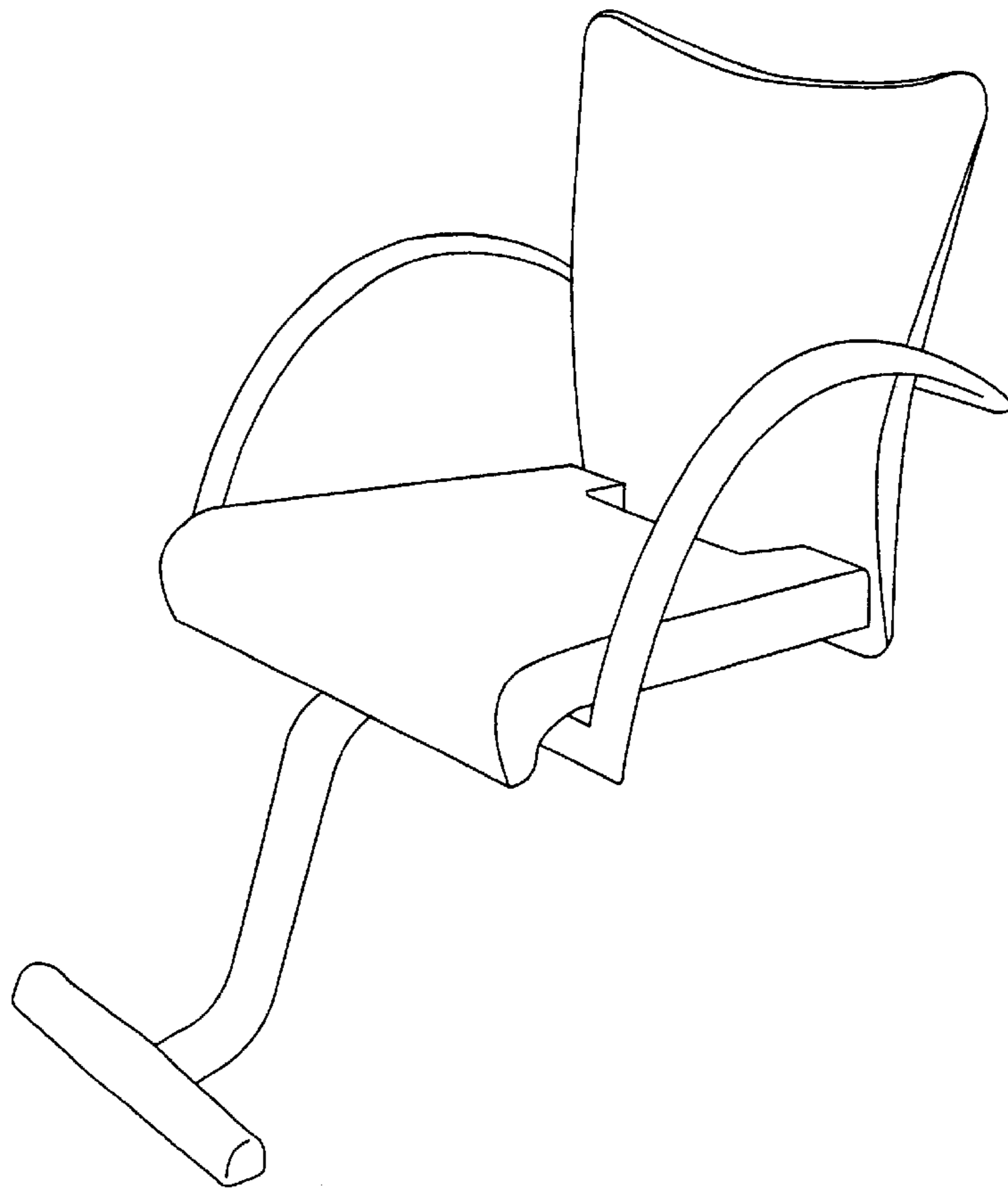


Fig.7

