



US00D444635S

(12) **United States Design Patent**
Noll

(10) **Patent No.:** **US D444,635 S**

(45) **Date of Patent:** **** Jul. 10, 2001**

(54) **GLIDER FRAME WITH CANTILEVER ARMS**

D. 432,323 * 10/2000 Pomeroy et al. D6/344
D. 434,573 * 12/2000 Noll D6/344
3,994,468 11/1976 Carter et al. .

(76) Inventor: **Ronald C. Noll**, 25 Fairway Trail,
Moreland Hills, OH (US) 44022

(**) Term: **14 Years**

(21) Appl. No.: **29/126,907**

(22) Filed: **Jul. 26, 2000**

(51) **LOC (7) Cl.** **06-01**

(52) **U.S. Cl.** **D6/344**

(58) **Field of Search** D6/334, 335, 336,
D6/344, 346, 347, 370, 374, 375, 379,
381, 500-502; 297/259.3, 273, 281, 282,
287, 452.63

OTHER PUBLICATIONS

Grand Isle Brochure, LGL-51HBZ, LGL-51Z, 2 pages undated.

Grand Isle Brochure, Deluxe Glider, LGL-48TZ, 2 pages undated.

Grand Isle Brochure, Glider Chair, LGL-22Z, 2 pages undated.

* cited by examiner

Primary Examiner—Doris V. Coles

Assistant Examiner—Mimosa De

(74) *Attorney, Agent, or Firm*—Pearne & Gordon LLP

(56) **References Cited**

U.S. PATENT DOCUMENTS

- D. 121,462 7/1940 Tabb .
- D. 141,705 6/1945 Slaughter .
- D. 165,835 2/1952 Glass .
- D. 306,530 * 3/1990 Vanderminden D6/347
- D. 328,197 7/1992 Braxton, III .
- D. 349,818 8/1994 Noll .
- D. 399,064 10/1998 Noll .
- D. 399,065 10/1998 Noll .
- D. 400,720 11/1998 Pomeroy et al. .
- D. 403,516 1/1999 Noll .
- D. 406,948 3/1999 Noll .
- D. 419,315 * 1/2000 Durbin et al. D6/344
- D. 423,801 5/2000 Noll .

(57) **CLAIM**

The ornamental design for a glider frame with cantilever arms, as shown and described.

DESCRIPTION

FIG. 1 is a perspective view of a glider frame with cantilever arms, showing my new design;

FIG. 2 is a top plan view thereof;

FIG. 3 is a front elevational view thereof;

FIG. 4 is a right side elevational view thereof, the left side elevational view being identical;

FIG. 5 is a back elevational view thereof; and,

FIG. 6 is a bottom plan view thereof.

1 Claim, 4 Drawing Sheets

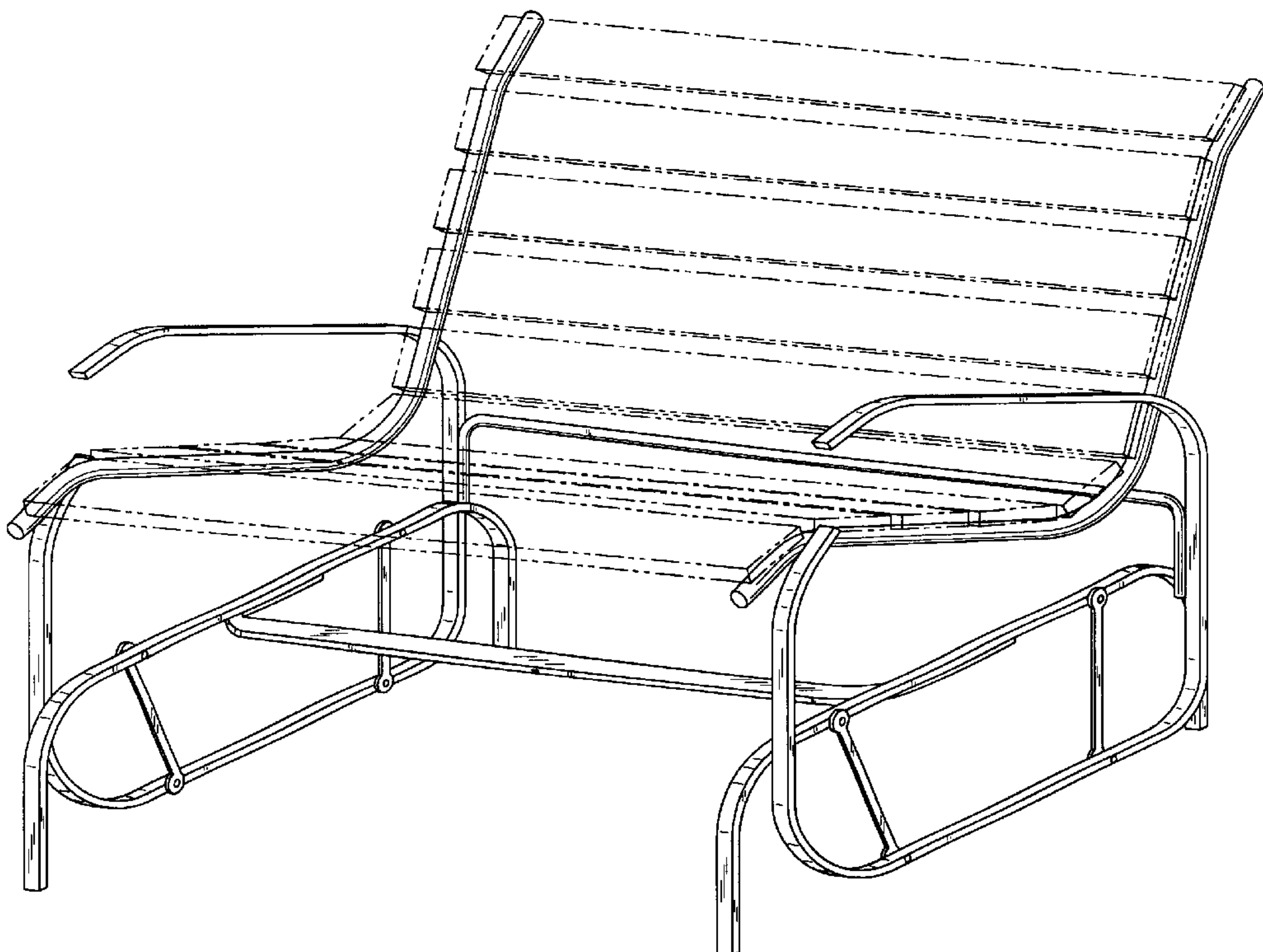
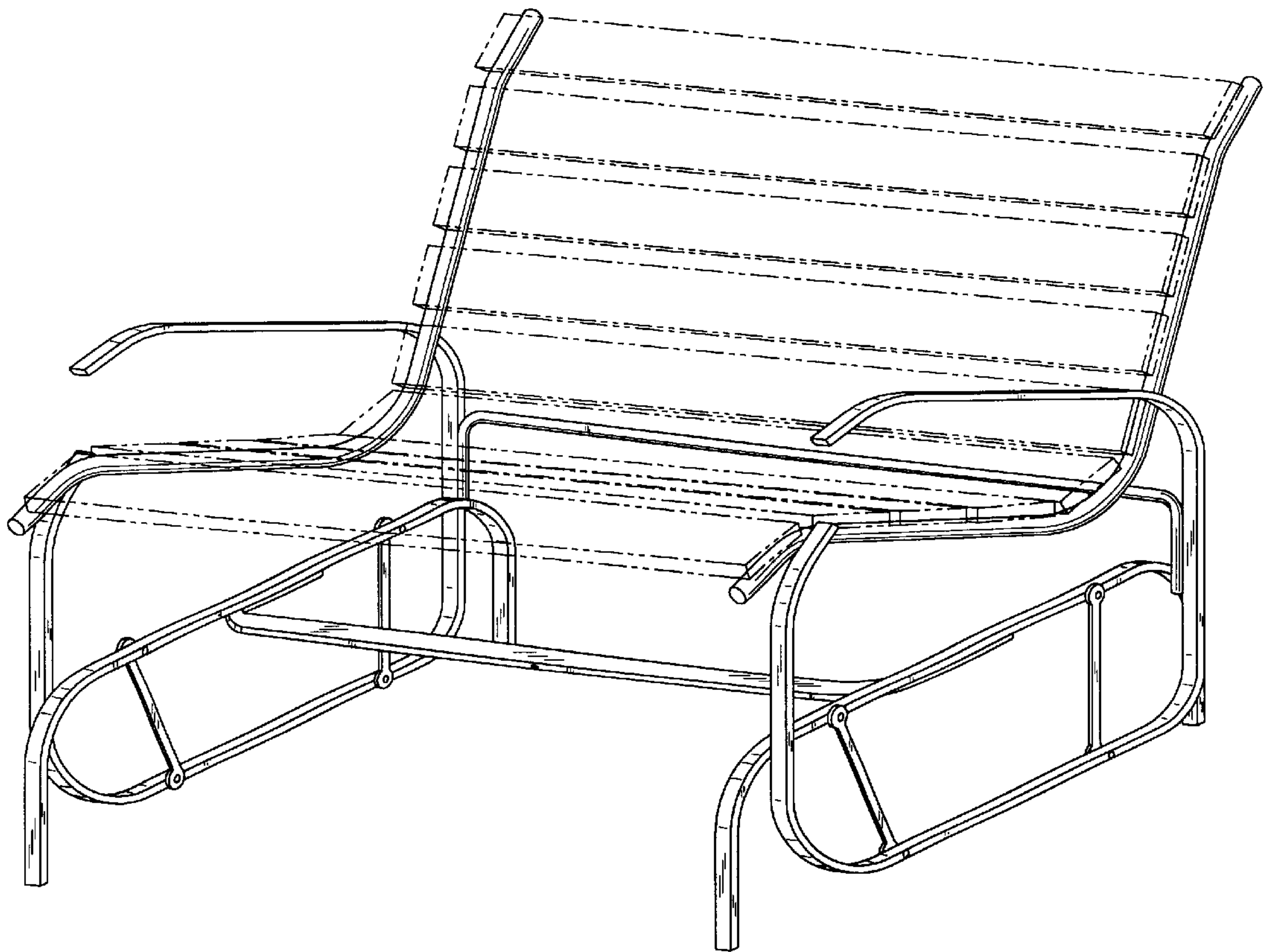


Fig. 1



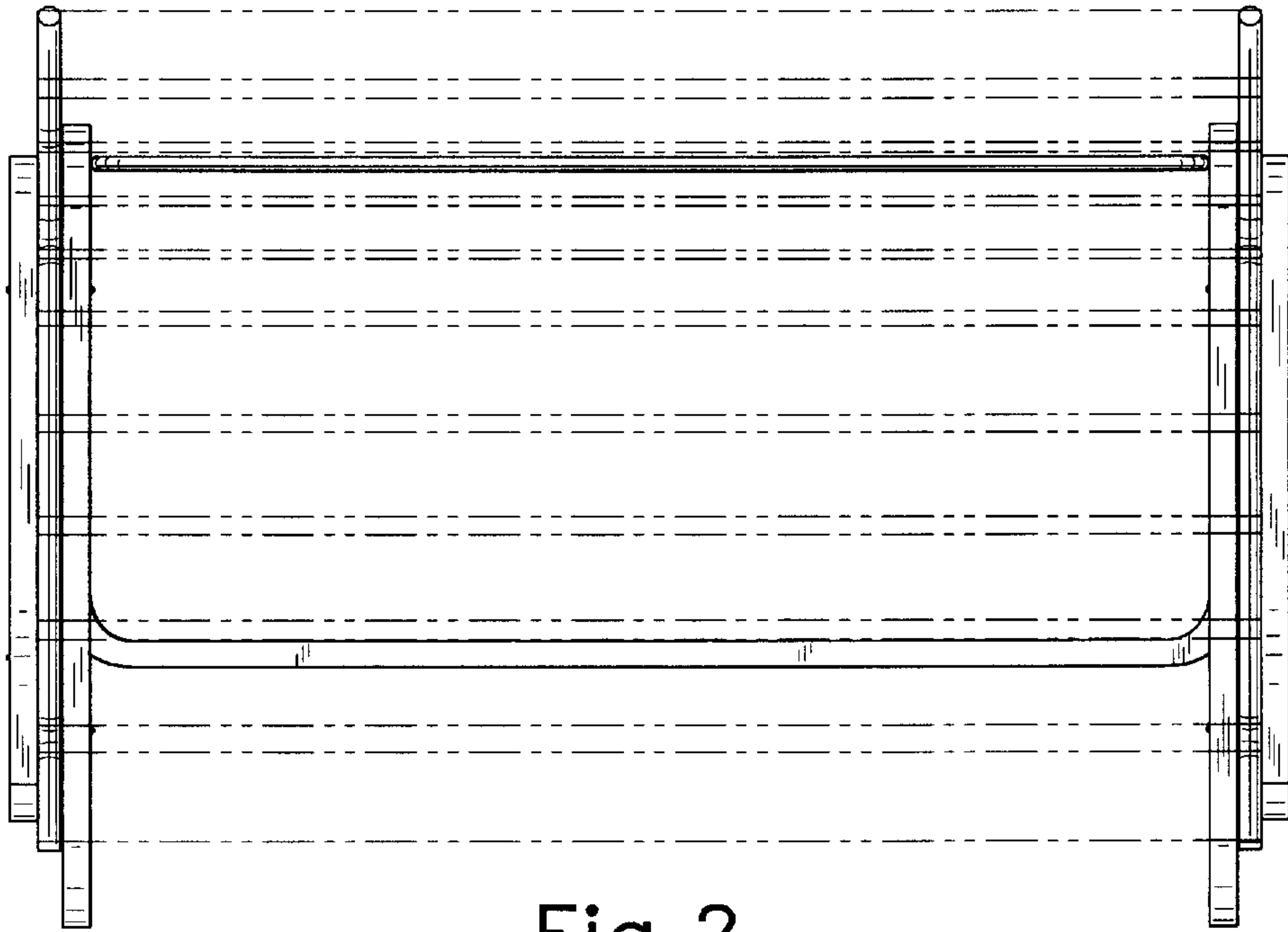


Fig. 2

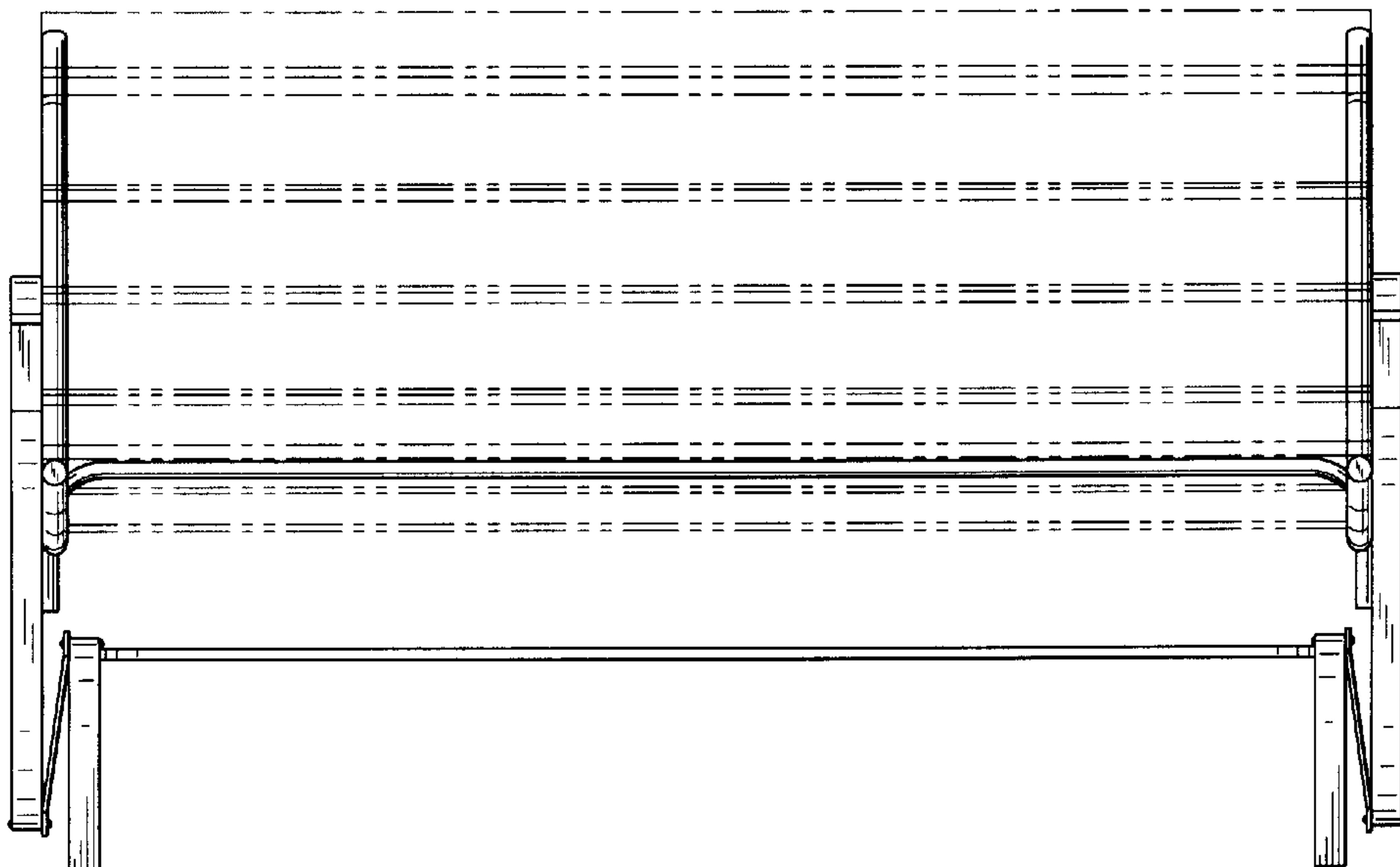


Fig. 3

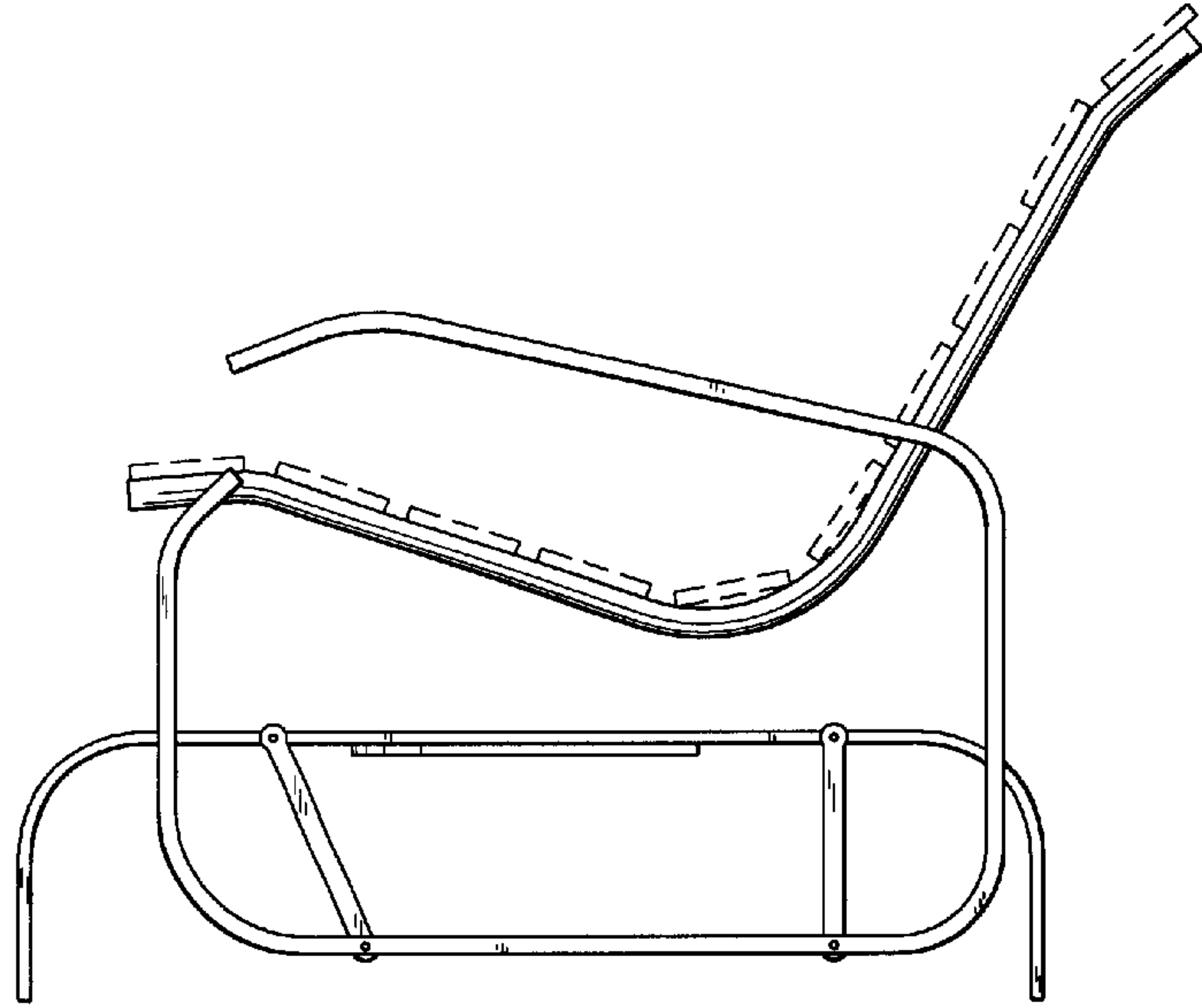


Fig.4

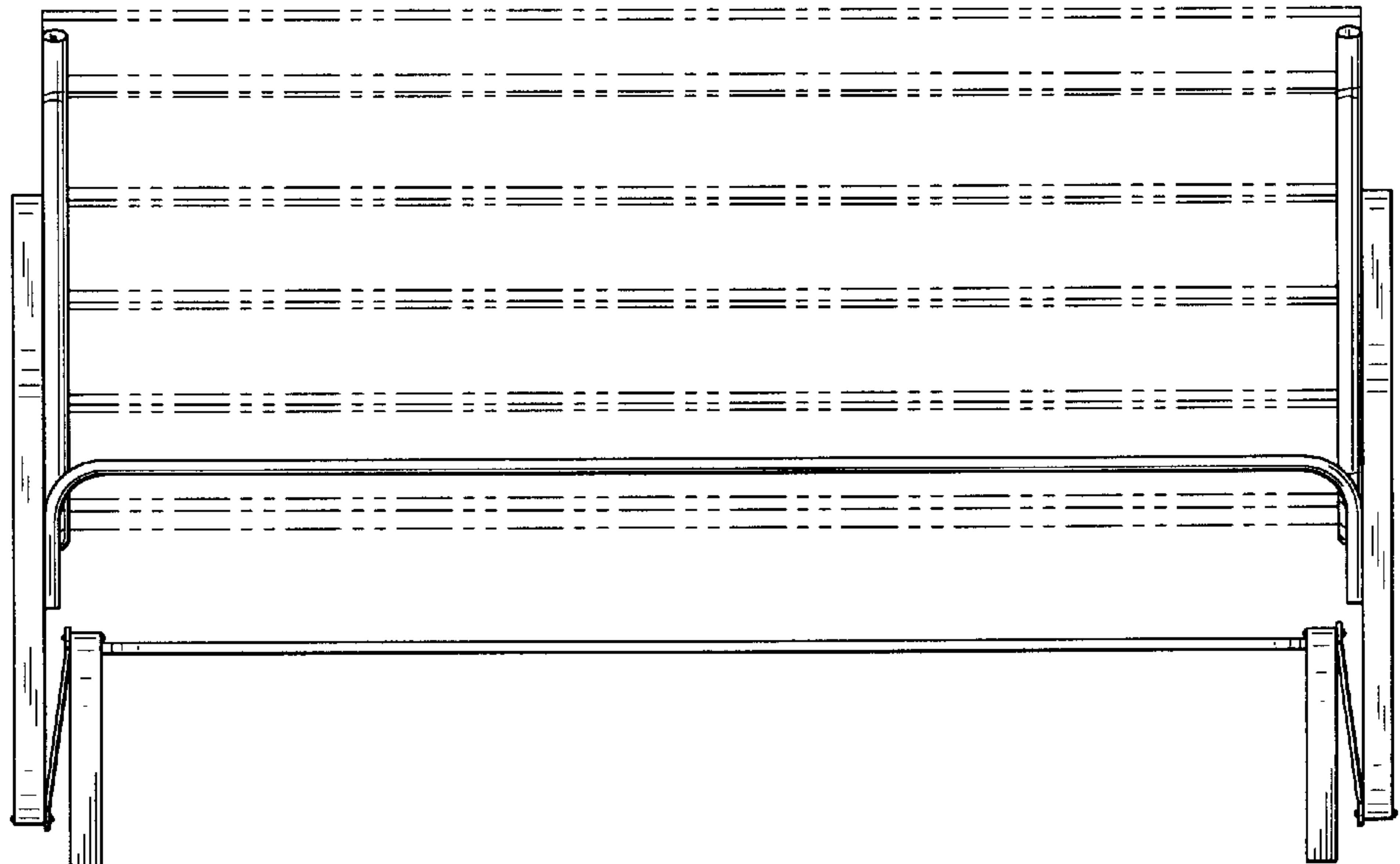


Fig.5



Fig.6