



US00D444634S

(12) **United States Design Patent**
Dodson

(10) **Patent No.:** **US D444,634 S**

(45) **Date of Patent:** **** Jul. 10, 2001**

(54) **FREE STANDING ADJUSTABLE HEIGHT MIRROR**

4,771,300 9/1988 Bryan .
5,359,461 * 10/1994 Rice et al. 359/879
5,556,070 * 9/1996 Viebrock 248/469

(76) Inventor: **Levenia L Dodson**, 7409 Riley Rd.,
Warrenton, VA (US) 20187

* cited by examiner

(**) Term: **14 Years**

Primary Examiner—Janice E. Seeger

(21) Appl. No.: **29/124,281**

(57) **CLAIM**

(22) Filed: **Jun. 2, 2000**

The ornamental design for a free standing adjustable height mirror, as shown and described.

(51) **LOC (7) Cl.** **06-07**

DESCRIPTION

(52) **U.S. Cl.** **D6/312**

(58) **Field of Search** D6/300-302, 308-314;
40/700, 711, 722, 734, 735, 738, 745, 747,
765, 790, 798; 359/838, 871, 874, 872;
248/469, 472, 474

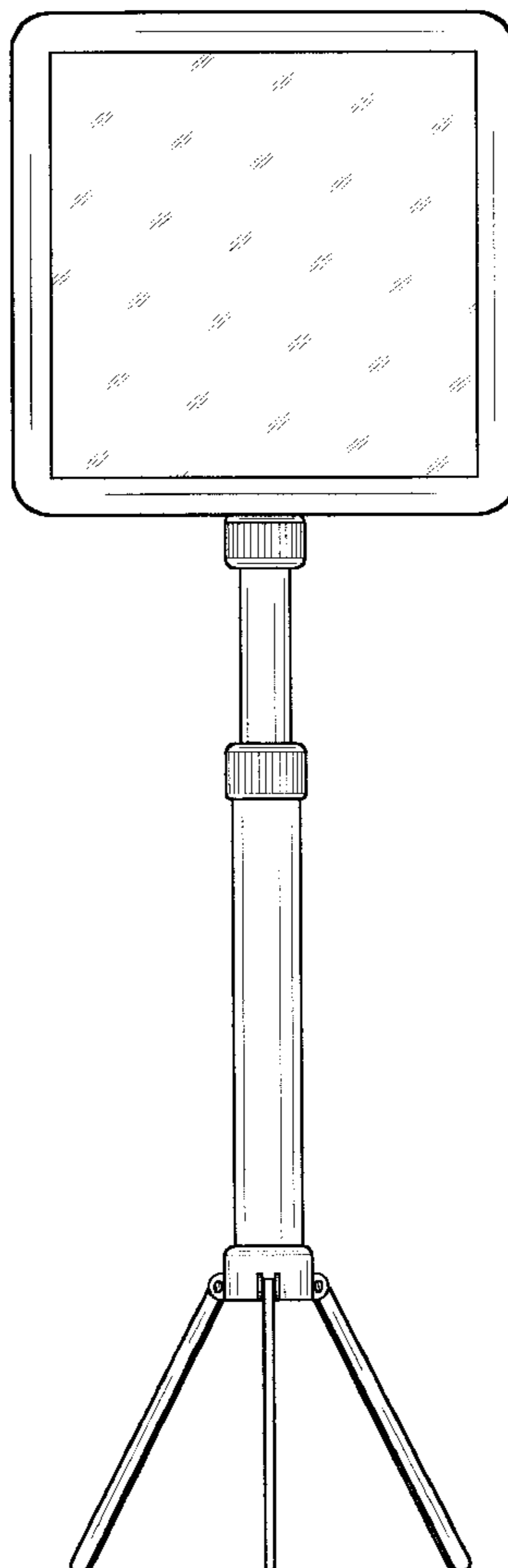
FIG. 1 is a front elevational view of the free standing adjustable height mirror of the present invention;
FIG. 2 is a rear elevational view of the free standing adjustable height mirror of FIG. 1;
FIG. 3 is a left side elevational view of the free standing adjustable height mirror of FIG. 1;
FIG. 4 is a right side elevational view of the free standing adjustable height mirror of FIG. 1;
FIG. 5 is a top plan view of the free standing adjustable height mirror of FIG. 1; and,
FIG. 6 is a bottom plan view of the free standing adjustable height mirror of FIG. 1.

(56) **References Cited**

U.S. PATENT DOCUMENTS

- D. 310,584 * 9/1990 Cadet D28/64.1
- D. 316,635 5/1991 Smith .
- 404,110 5/1889 Pincus .
- 2,017,472 10/1935 Re .
- 4,339,104 * 7/1982 Weidman 248/407

1 Claim, 2 Drawing Sheets



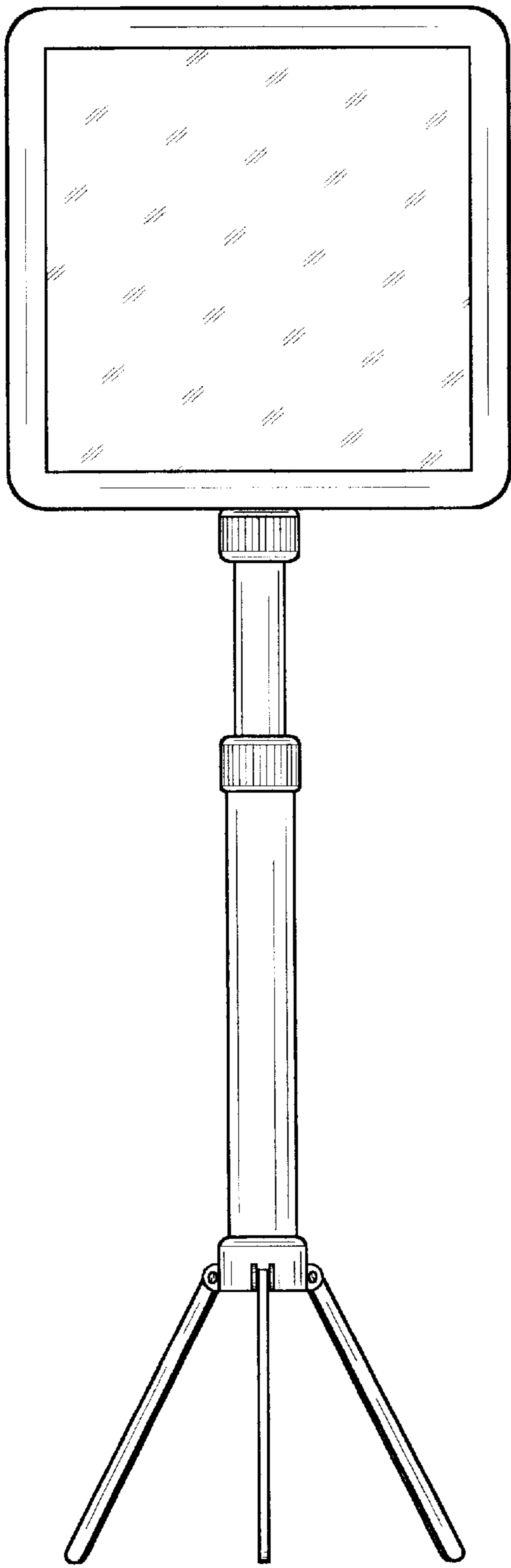


Fig. 1

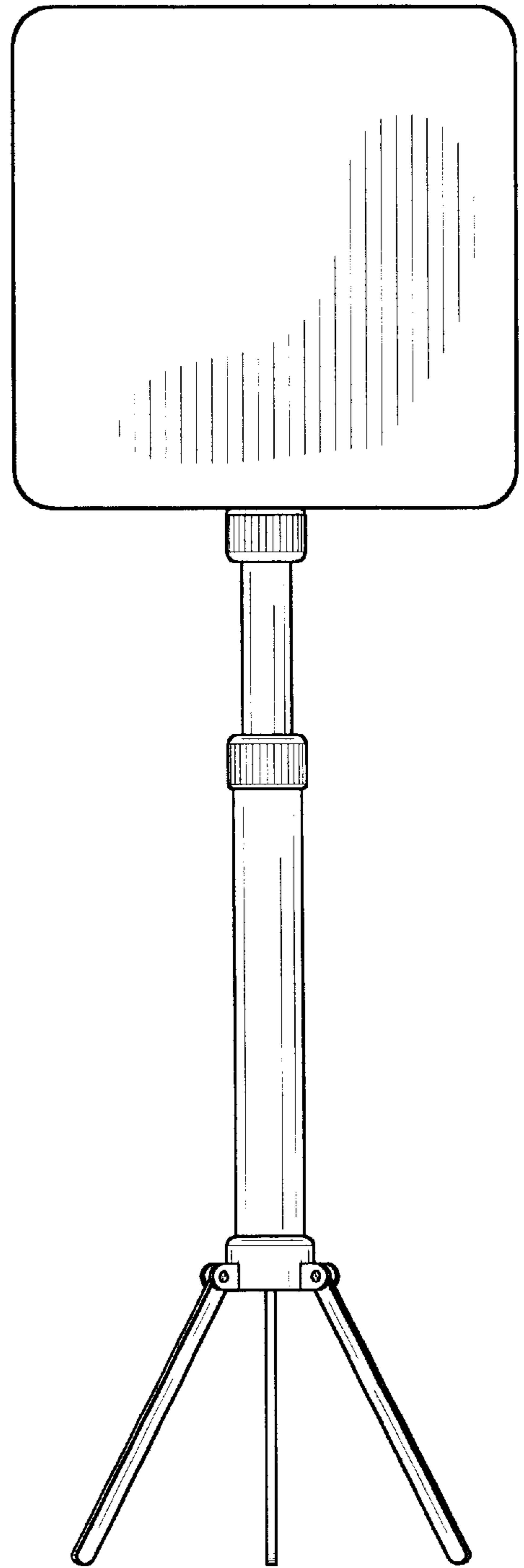


Fig. 2

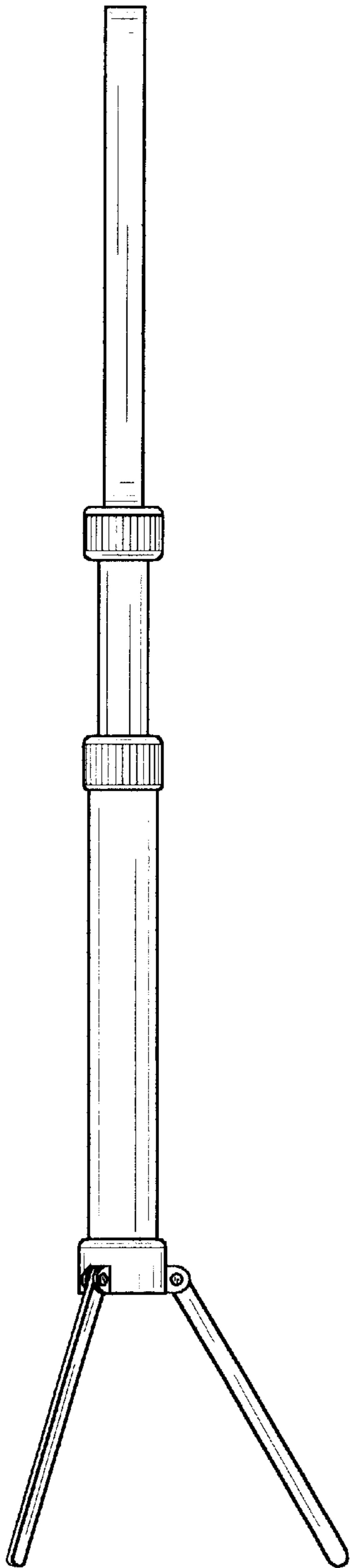


Fig. 3

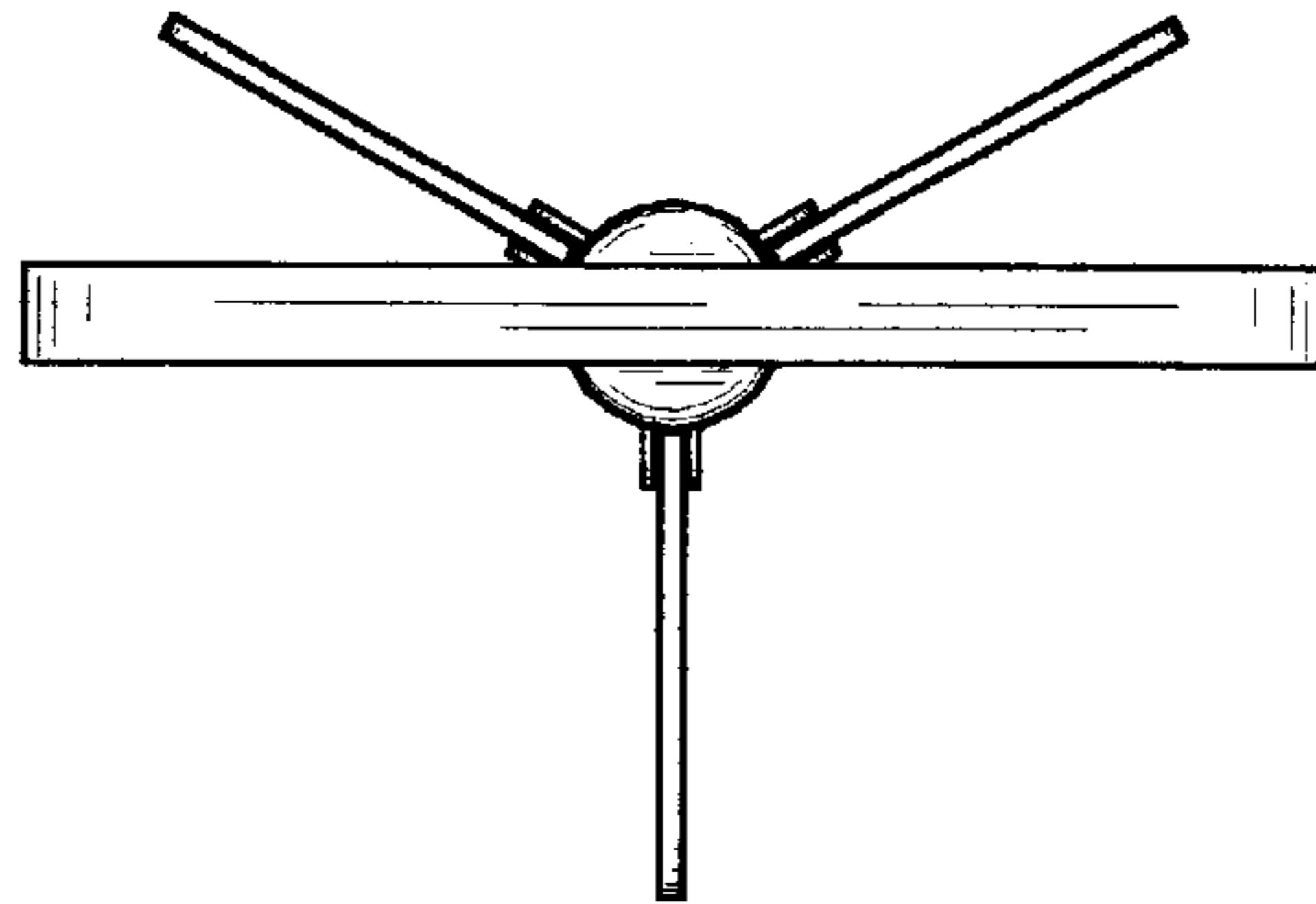


Fig. 5

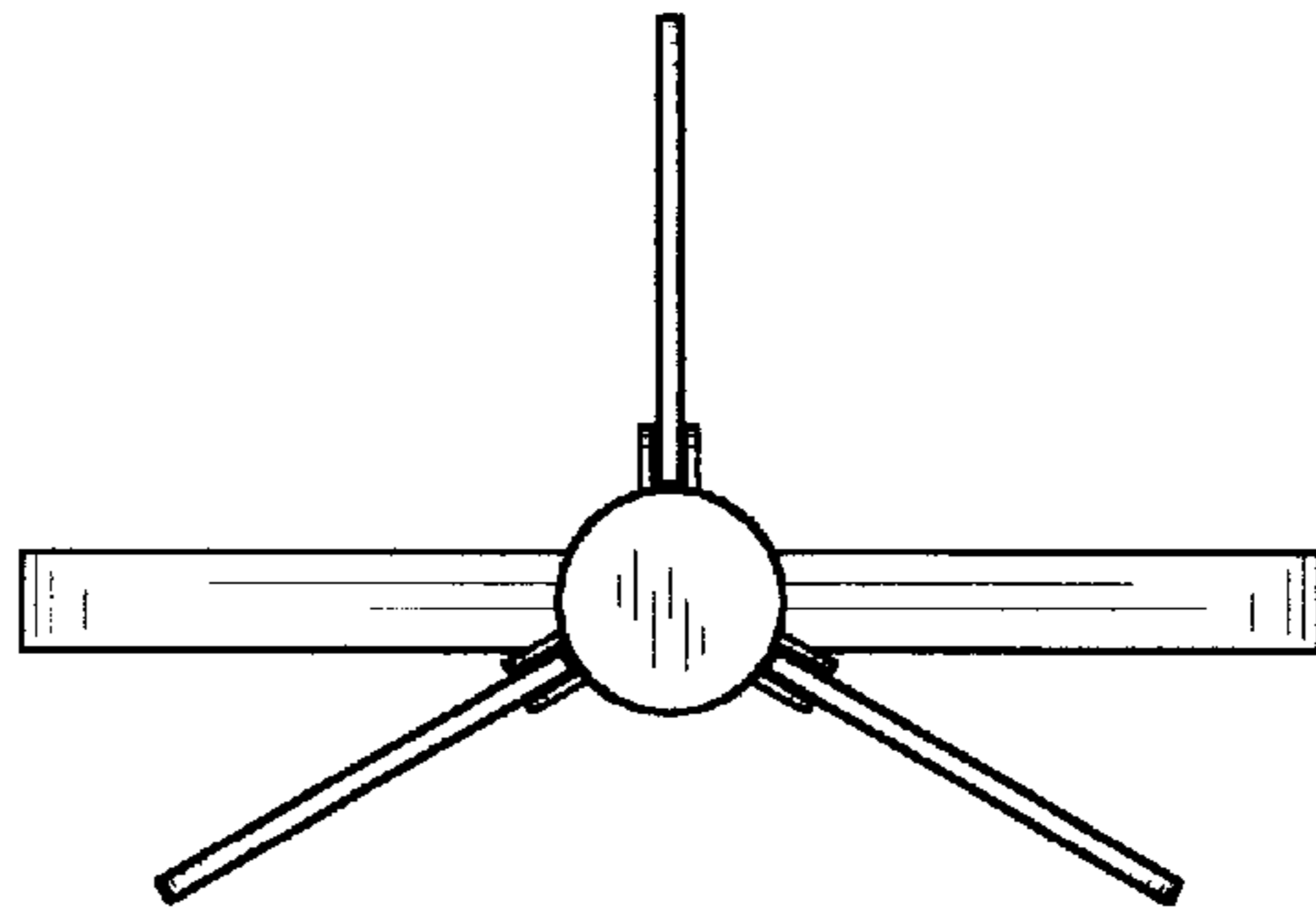


Fig. 6

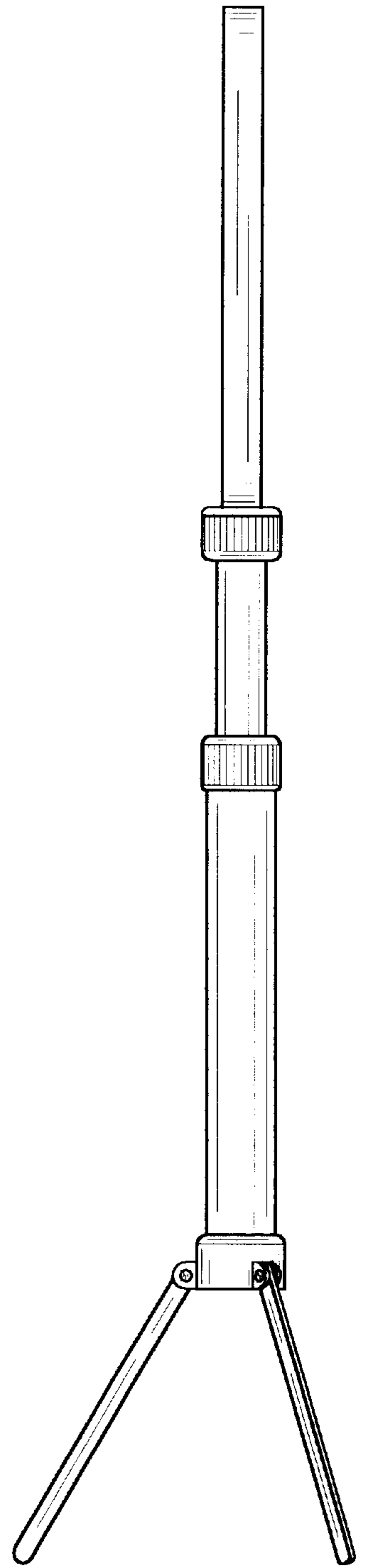


Fig. 4