



US00D444626S

(12) **United States Design Patent**  
**Anderson et al.**

(10) **Patent No.: US D444,626 S**

(45) **Date of Patent: \*\* Jul. 10, 2001**

(54) **STORAGE BOX**

(75) Inventors: **Torrence C. Anderson**, Aurora;  
**Michael G. Uffner**, Naperville;  
**Thomas A. Tisbo**, Barrington Hills, all  
of IL (US)

(73) Assignee: **Suncast Corporation**, Batavia, IL (US)

(\*\*) Term: **14 Years**

(21) Appl. No.: **29/135,212**

(22) Filed: **Jan. 8, 2001**

(51) **LOC (7) Cl.** ..... **03-01**

(52) **U.S. Cl.** ..... **D3/273; D3/294**

(58) **Field of Search** ..... D3/272, 273, 276,  
D3/281, 282, 302, 294; D9/420, 424, 426;  
D6/432; 206/315.1, 349, 372, 373, 508;  
312/203, 204, 226; D25/16

(56) **References Cited**

**U.S. PATENT DOCUMENTS**

- D. 245,319 \* 8/1977 Wodell ..... D3/272
- D. 334,662 \* 4/1993 Van Berne ..... D3/272
- D. 376,259 \* 12/1996 Dickinson et al. .... D3/273
- D. 381,512 \* 7/1997 Green ..... D3/294
- D. 382,112 \* 8/1997 Egan ..... D3/273

- D. 393,724 \* 4/1998 Sagol ..... D25/16
- D. 421,181 \* 2/2000 Tisbo et al. .... D3/273
- D. 429,418 \* 8/2000 Tisbo et al. .... D3/272
- 5,719,350 \* 2/1998 Williams ..... 220/326

\* cited by examiner

*Primary Examiner*—Philip S. Hyder

(74) *Attorney, Agent, or Firm*—Welsh & Katz, Ltd.

(57) **CLAIM**

The ornamental design for a storage box, as shown.

**DESCRIPTION**

FIG. 1 is a front, right perspective view of our new design for a storage box;  
 FIG. 2 is a bottom, right perspective view of the storage box;  
 FIG. 3 is a front view of the storage box;  
 FIG. 4 is a right side view of the storage box;  
 FIG. 5 is a rear view of the storage box;  
 FIG. 6 is a left side view of the storage box;  
 FIG. 7 is a top view of the storage box;  
 FIG. 8 is a bottom view of the storage box; and,  
 FIG. 9 is a front, right side perspective view of the storage box with the cover shown open.

The broken line portions of FIG. 1 are for illustrative purposes only and form no part of the claimed design.

**1 Claim, 9 Drawing Sheets**

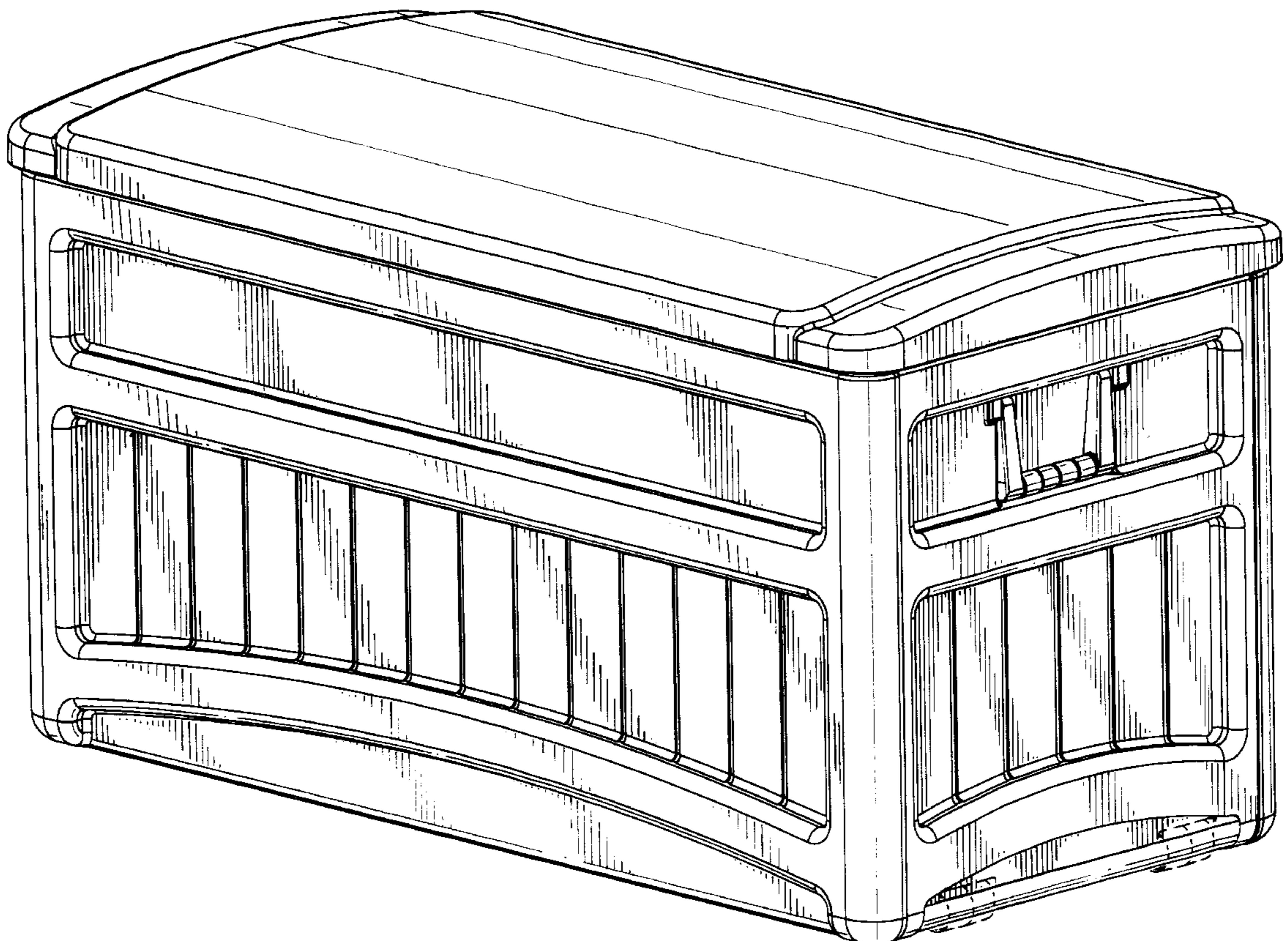
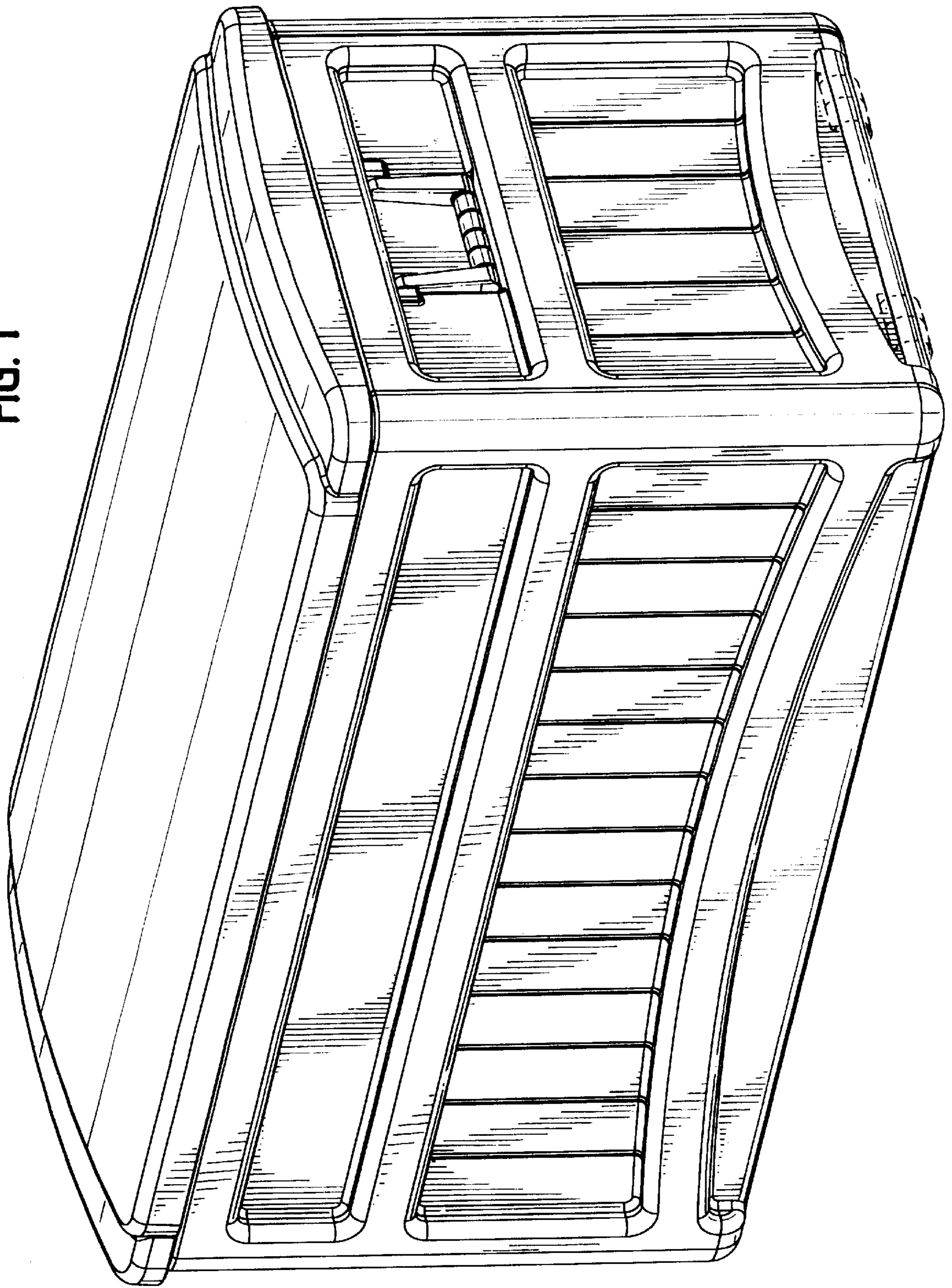


FIG. 1





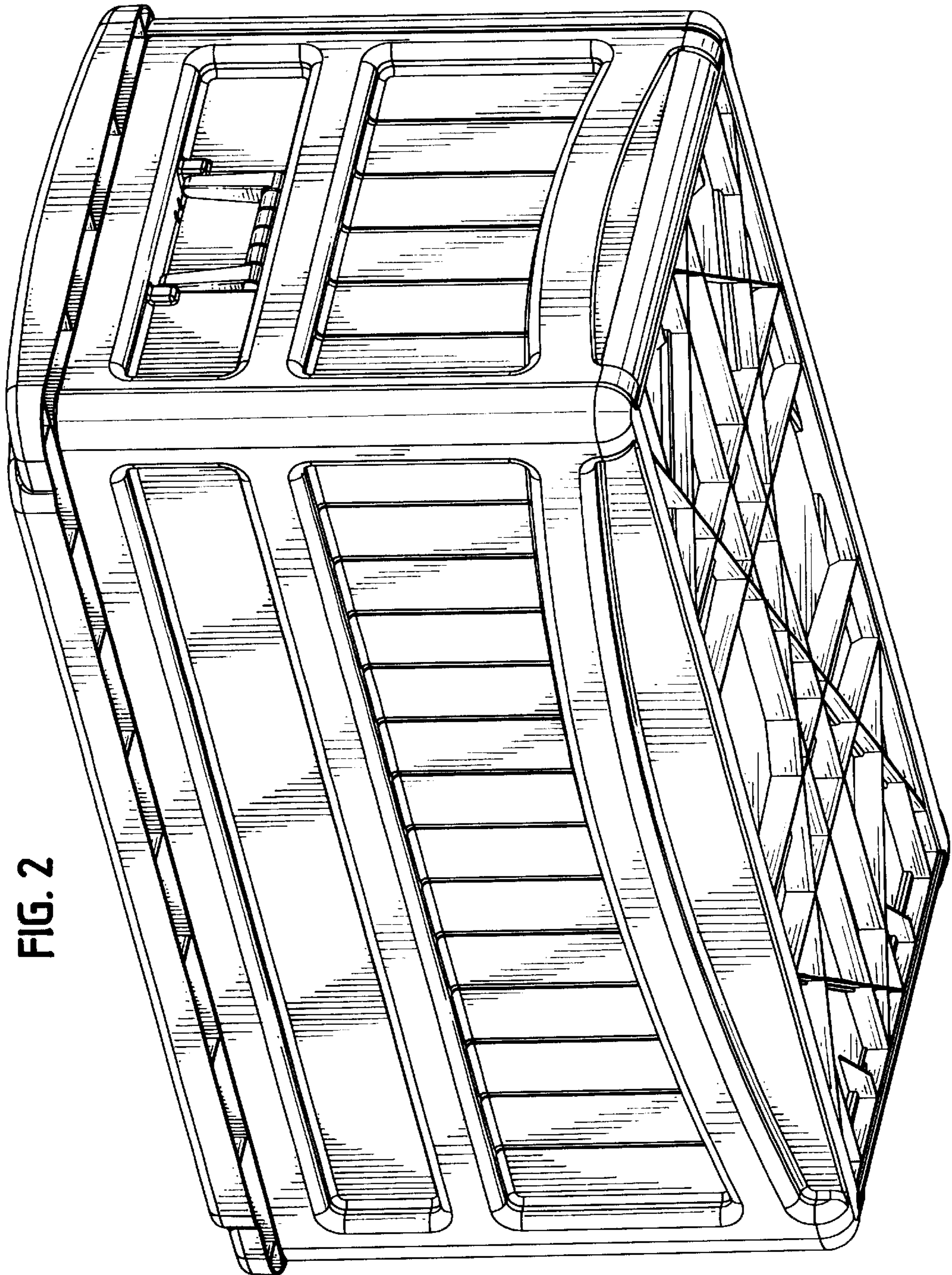


FIG. 2

FIG. 3

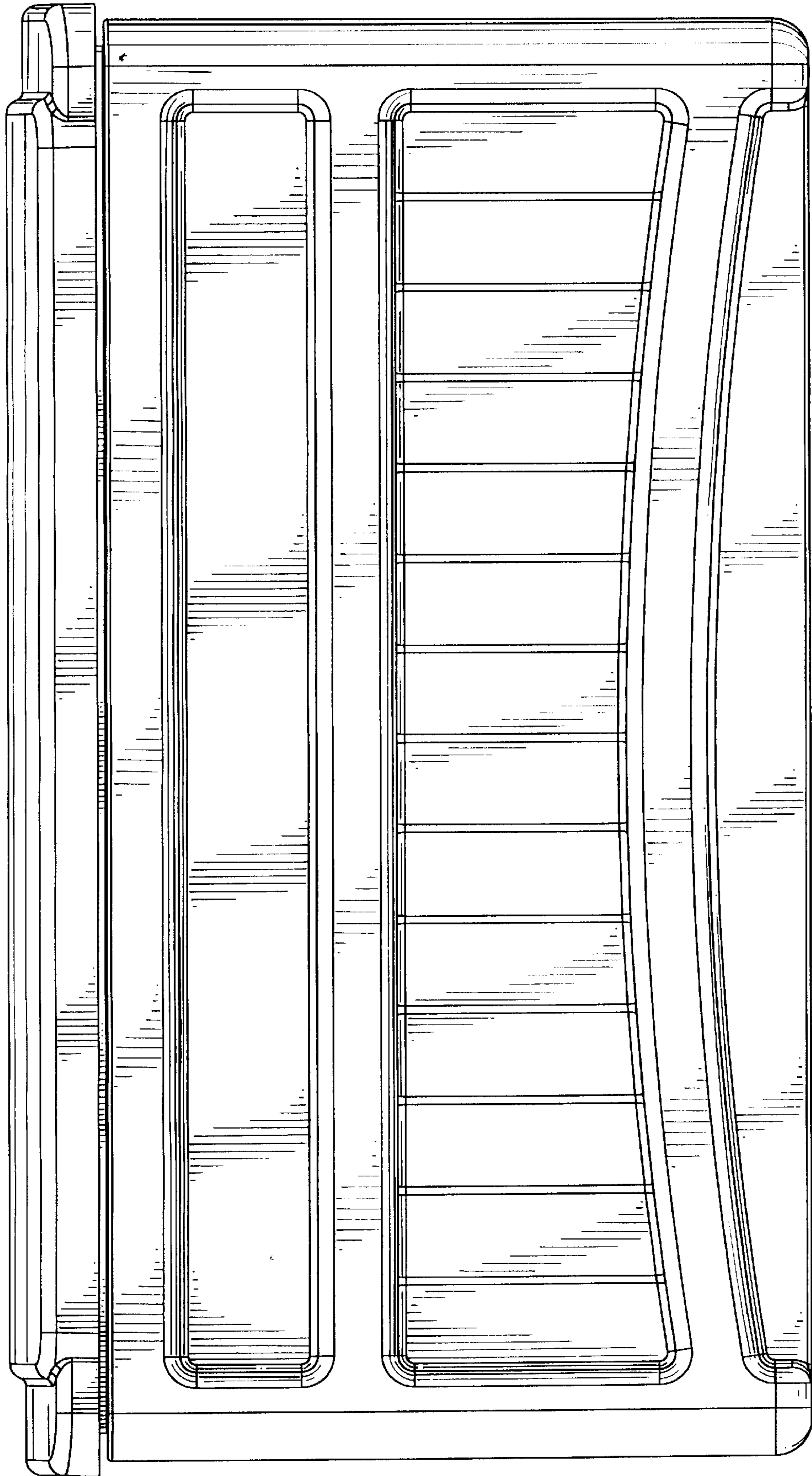


FIG. 4

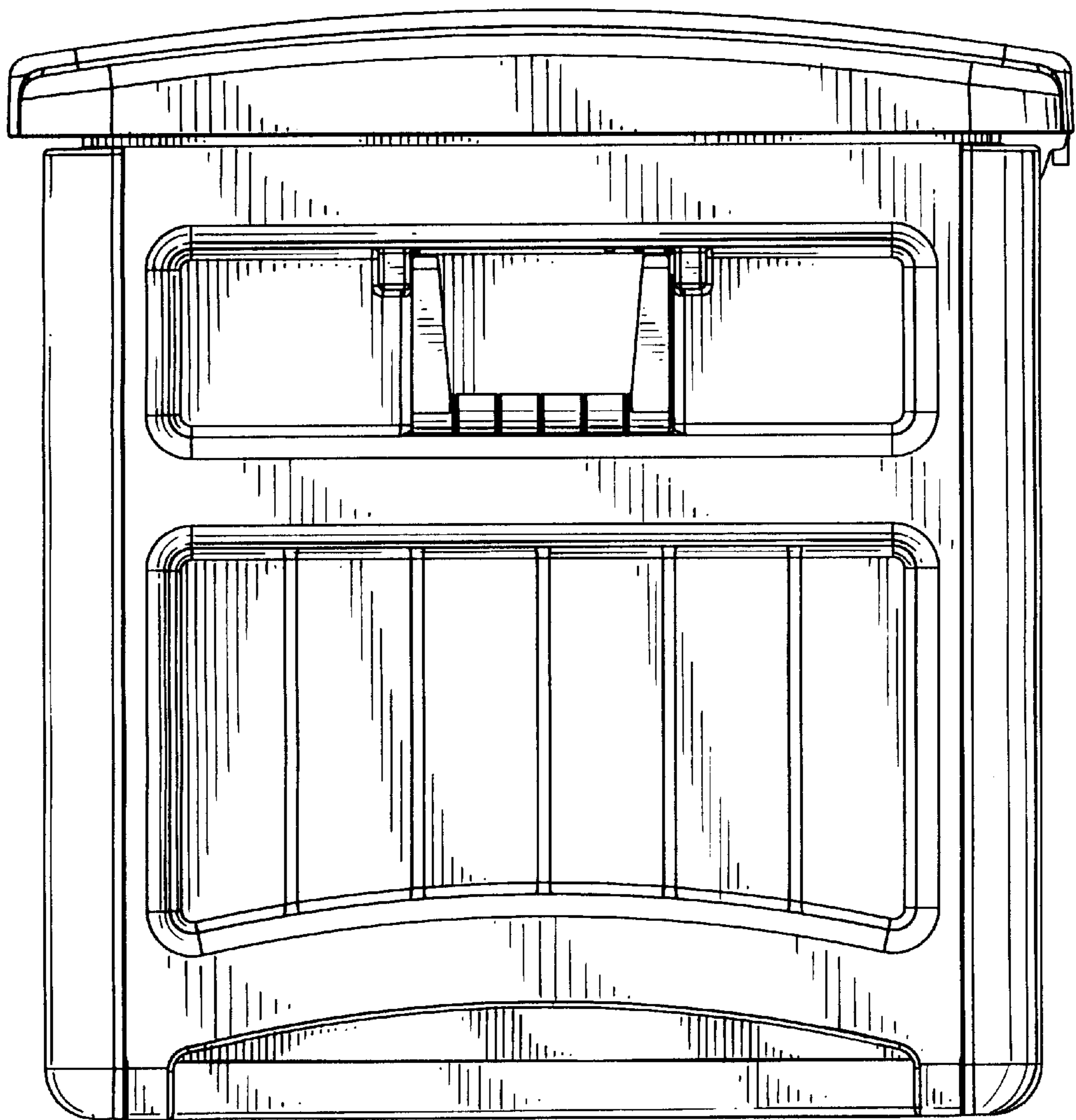


FIG. 5

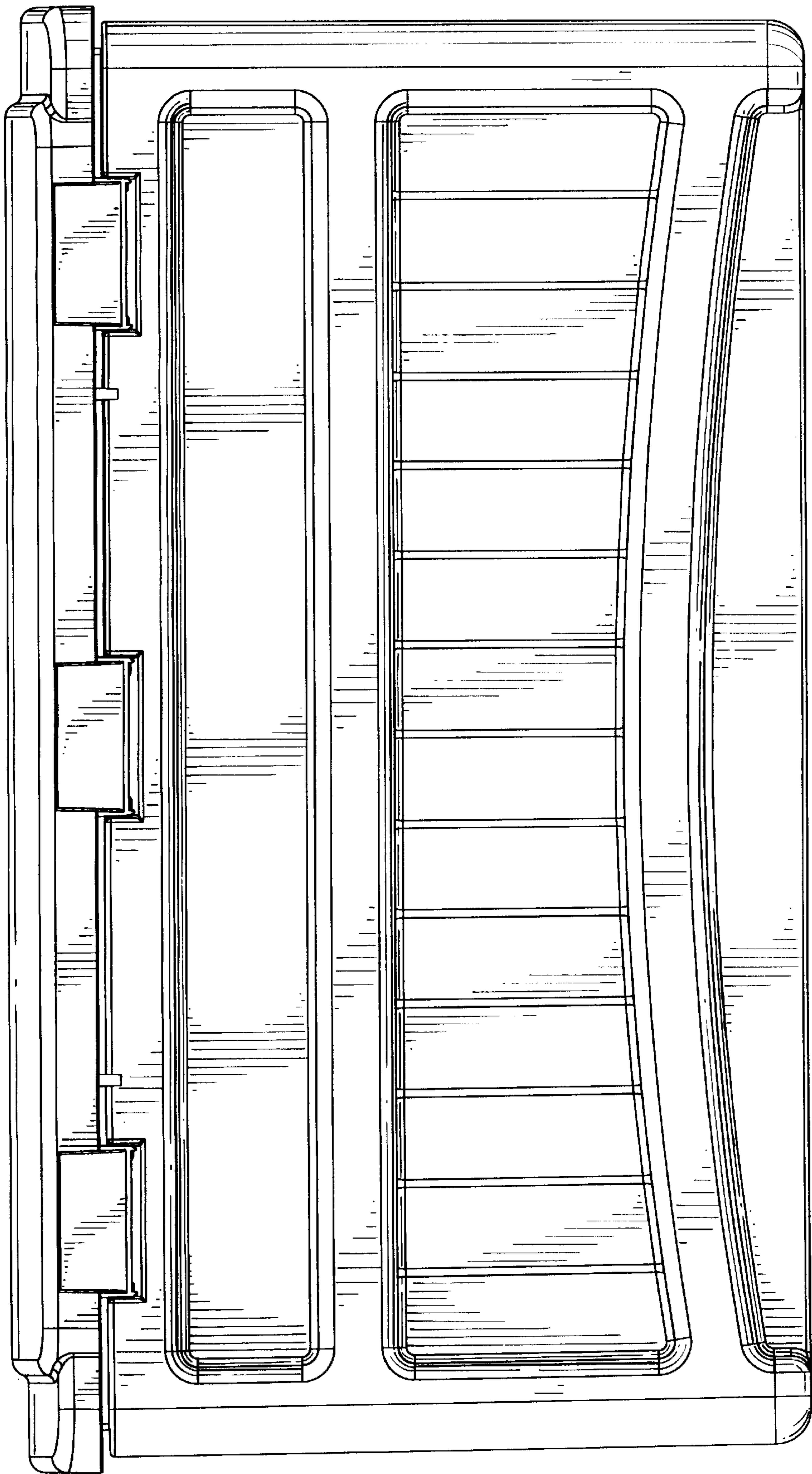


FIG. 6

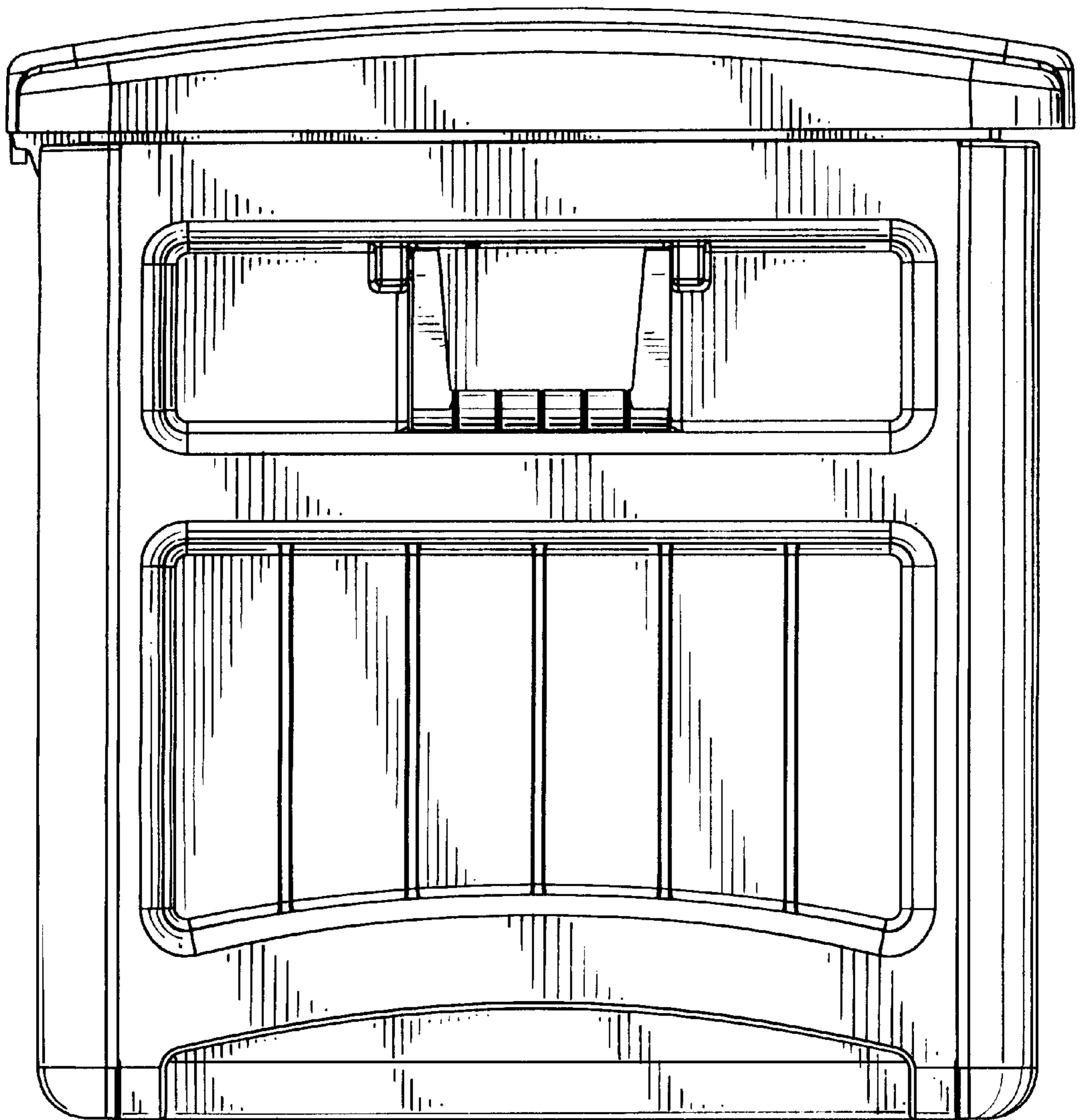




FIG. 7

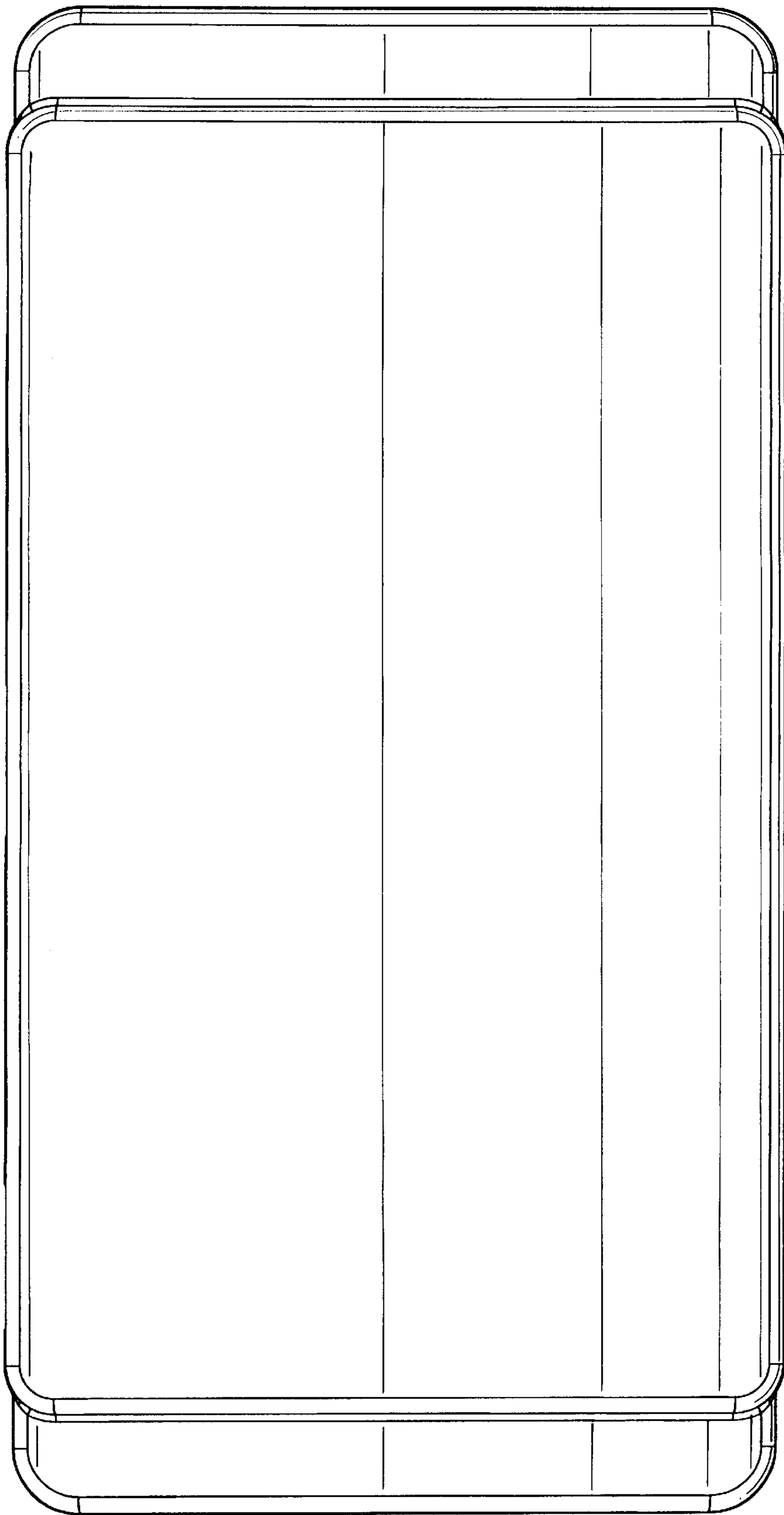




FIG. 8

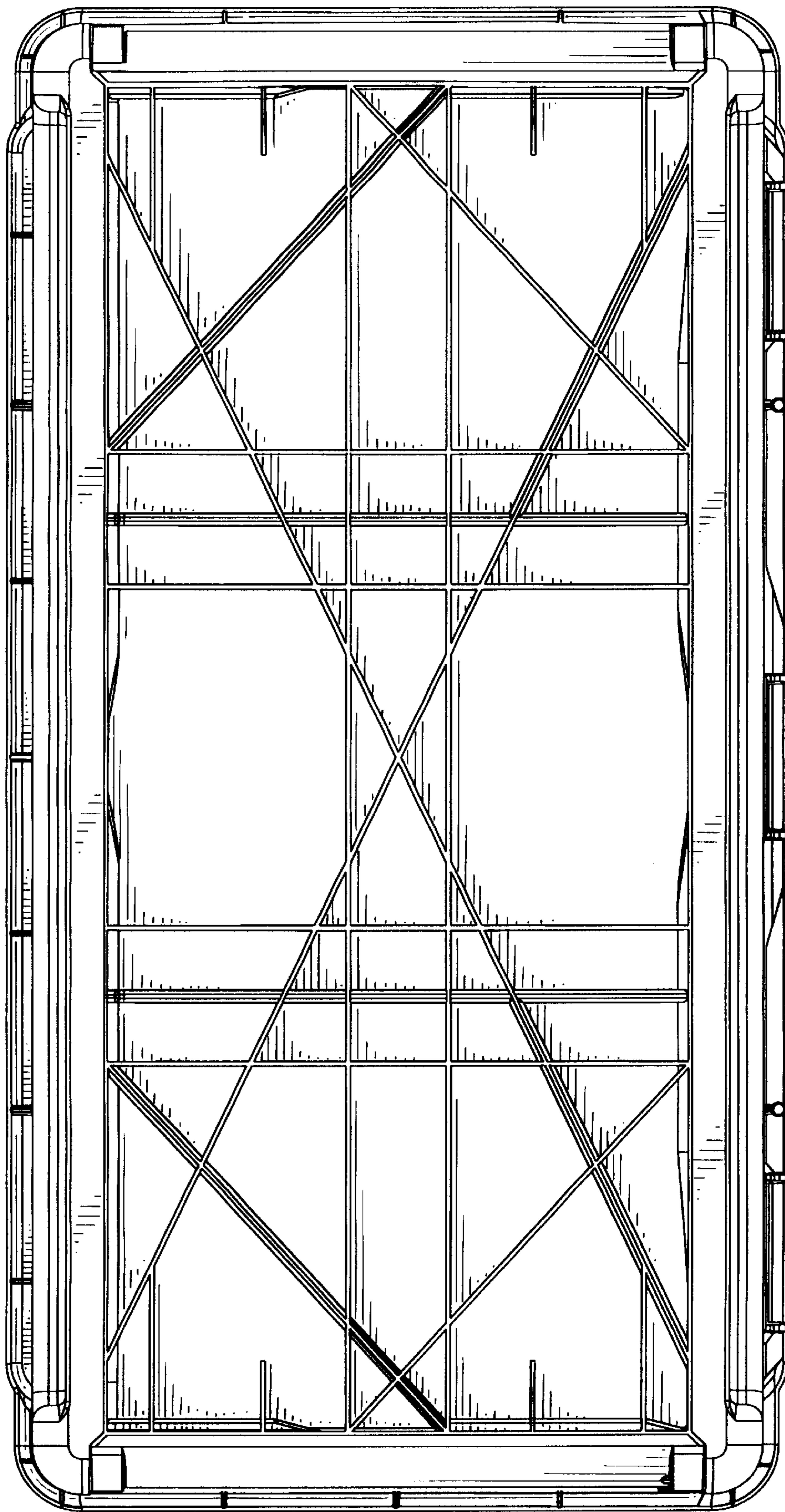


FIG. 9

