



US00D444622S

(12) **United States Design Patent**  
**Wilson**

(10) **Patent No.:** **US D444,622 S**

(45) **Date of Patent:** **\*\* Jul. 10, 2001**

(54) **SHOE UPPER**

(75) **Inventor:** **Ralph Davis Wilson**, Torrance, CA (US)

(73) **Assignee:** **Skechers U.S.A., Inc., II**, Manhattan Beach, CA (US)

(\*\*) **Term:** **14 Years**

(21) **Appl. No.:** **29/128,364**

(22) **Filed:** **Aug. 23, 2000**

(51) **LOC (7) Cl.** ..... **02-04**

(52) **U.S. Cl.** ..... **D2/969; D2/907; D2/902; D2/943**

(58) **Field of Search** ..... D2/969, 972, 907, D2/902, 903, 923, 919, 943, 944; 36/113, 114, 126-131, 3 A, 8.1-8.4, 11, 45, 50.1

(56) **References Cited**

**U.S. PATENT DOCUMENTS**

- D. 248,513 7/1978 Soler .
- D. 263,643 4/1982 Vermonet .
- D. 265,015 6/1982 Higgins .
- D. 273,632 5/1984 Ueda .
- D. 276,569 12/1984 Kohno .
- D. 279,620 7/1985 Ueda .
- D. 287,782 1/1987 Palacio .
- D. 293,970 2/1988 Brown et al. .
- D. 299,181 1/1989 Harken et al. .
- D. 362,333 9/1995 Teague .
- D. 365,199 12/1995 Avar .
- D. 368,578 4/1996 Smith .
- D. 402,454 12/1998 Kelchak .

- D. 402,456 \* 12/1998 Greenberg ..... D2/969
- D. 403,849 1/1999 Greenberg .
- D. 405,600 2/1999 Hamel .
- D. 410,326 6/1999 Duclos .
- D. 418,283 \* 1/2000 Akhidime ..... D2/969
- D. 421,176 \* 2/2000 Matis et al. .... D2/969
- D. 430,724 \* 9/2000 Matis et al. .... D2/969
- 4,314,413 2/1982 Dassler .
- 4,651,447 3/1987 Sullivan .
- 4,670,998 6/1987 Pasternak .
- 4,949,476 8/1990 Anderie .

\* cited by examiner

*Primary Examiner*—Louis S. Zarfaz

*Assistant Examiner*—Gregory Andoll

(74) *Attorney, Agent, or Firm*—Marshall A. Lerner, Esq.; Bradford E. Mattes, Esq.; Kleinberg & Lerner, LLP

(57) **CLAIM**

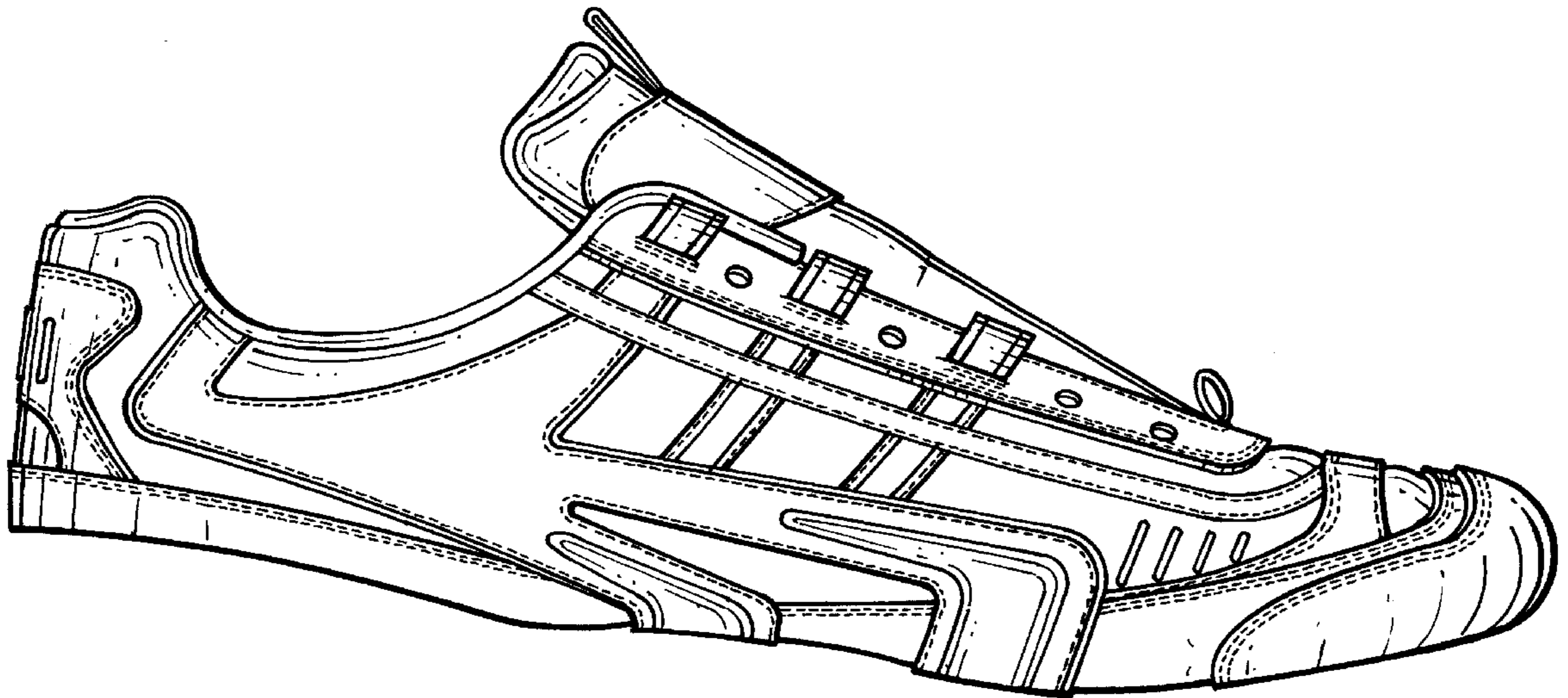
The ornamental design for a shoe upper, as shown and described.

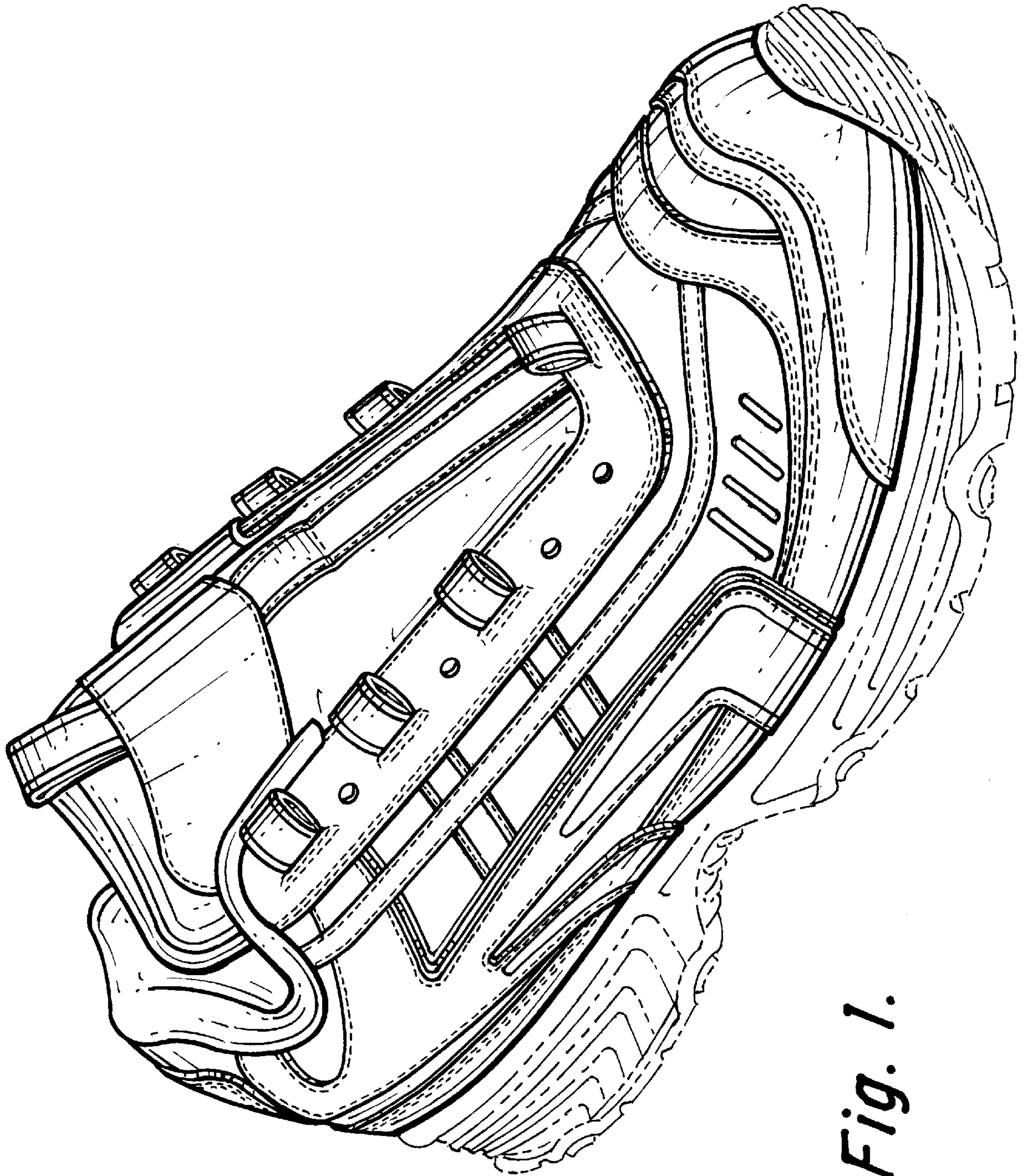
**DESCRIPTION**

FIG. 1 is a perspective view of the front, left and top of a shoe upper showing my new design; FIG. 2 is a top plain elevational view thereof; FIG. 3 is a left side view thereof; FIG. 4 is a right side elevational view thereof; FIG. 5 is a front elevational view thereof; and, FIG. 6 is a rear elevational view.

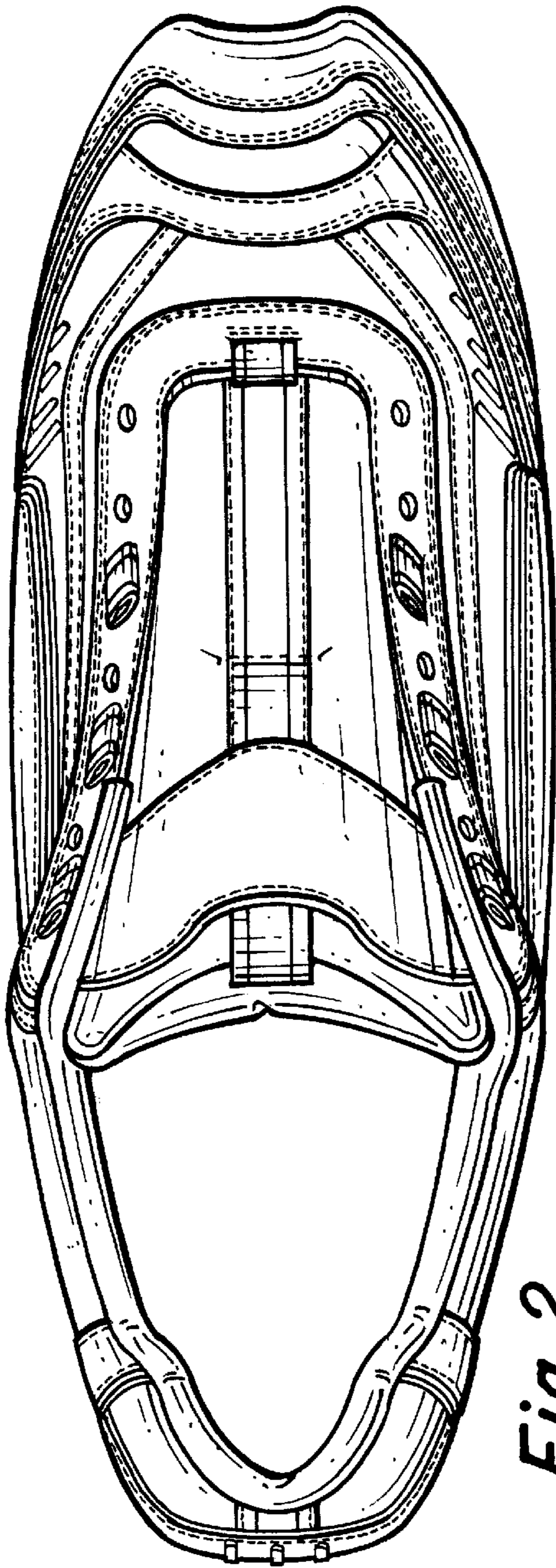
The broken line showing the sole in the figures is for illustrative purposes only and forms no part of the claimed design.

**1 Claim, 3 Drawing Sheets**

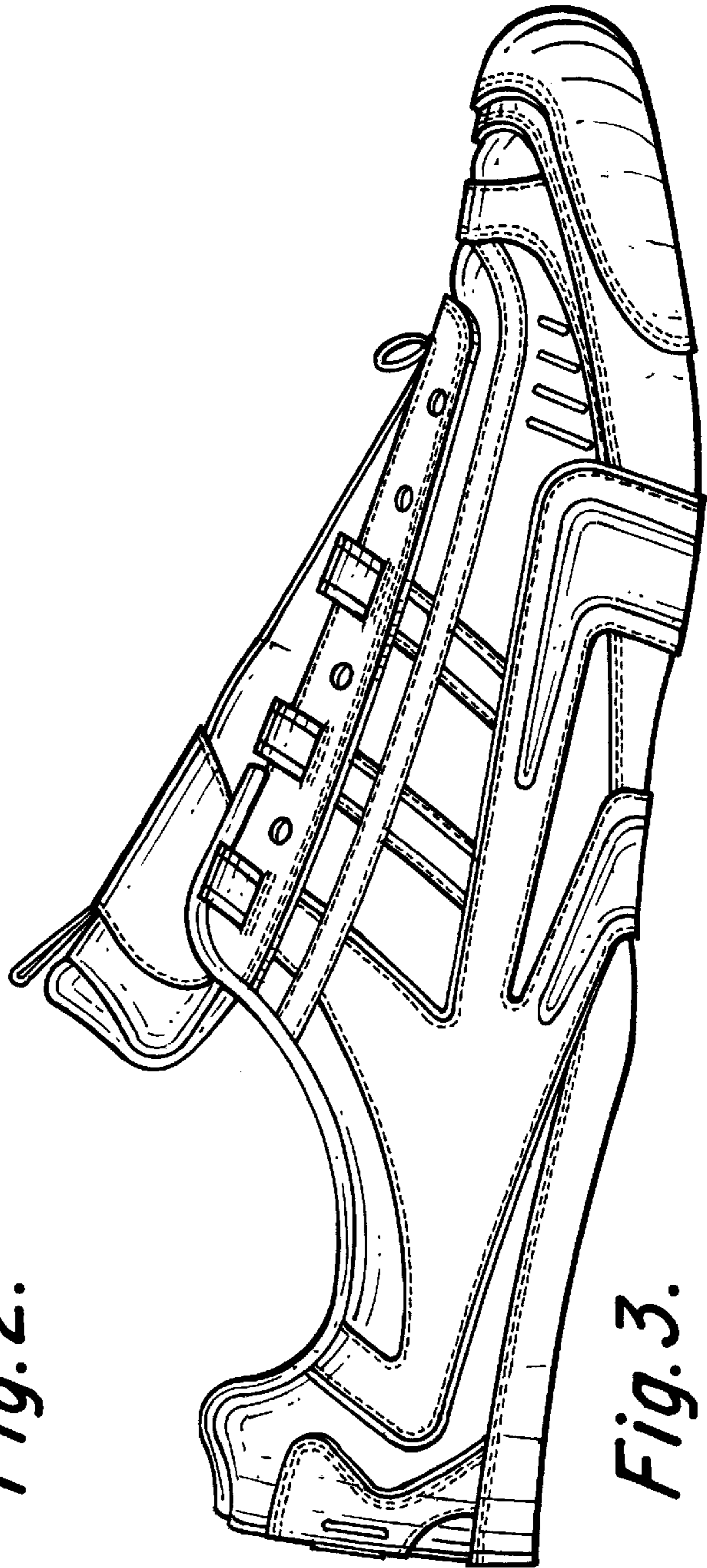




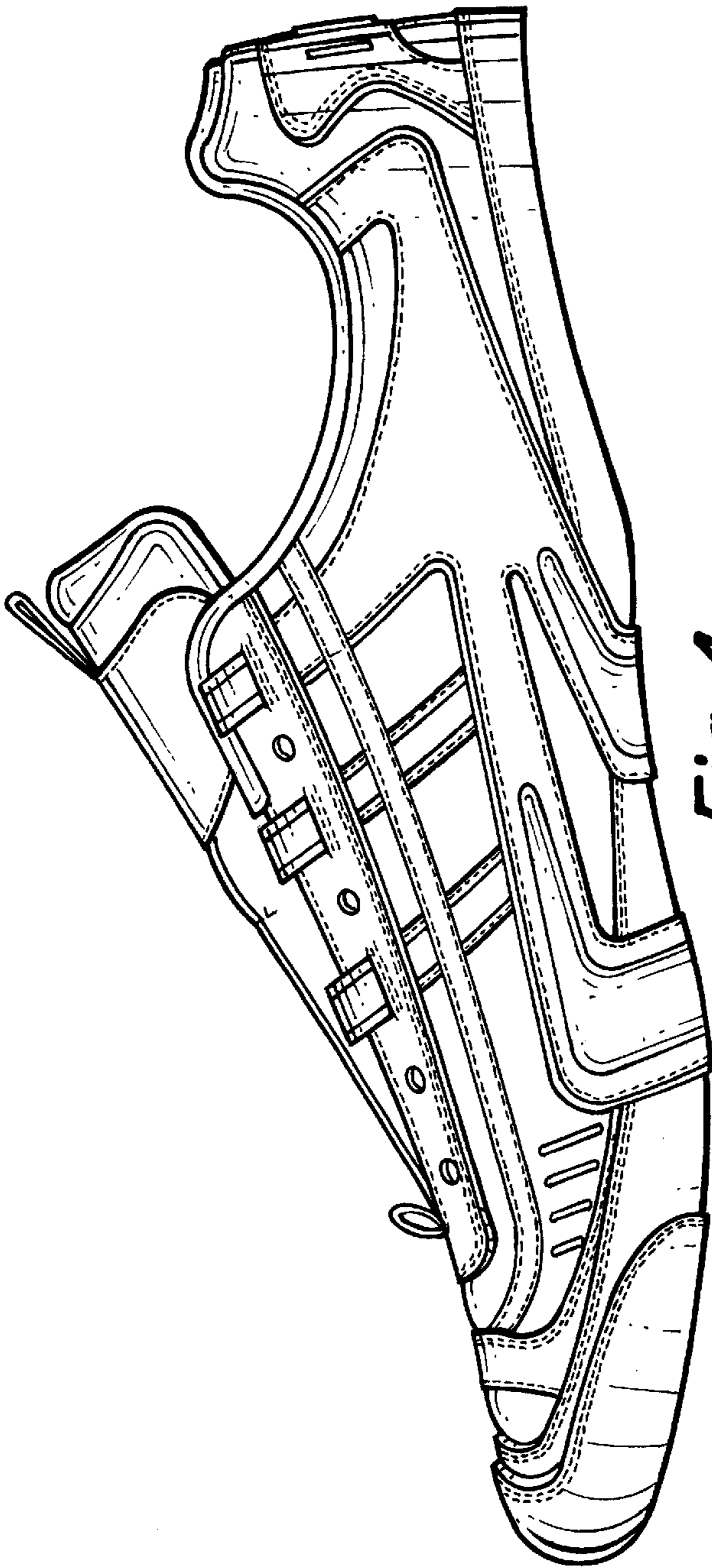
*Fig. 1.*



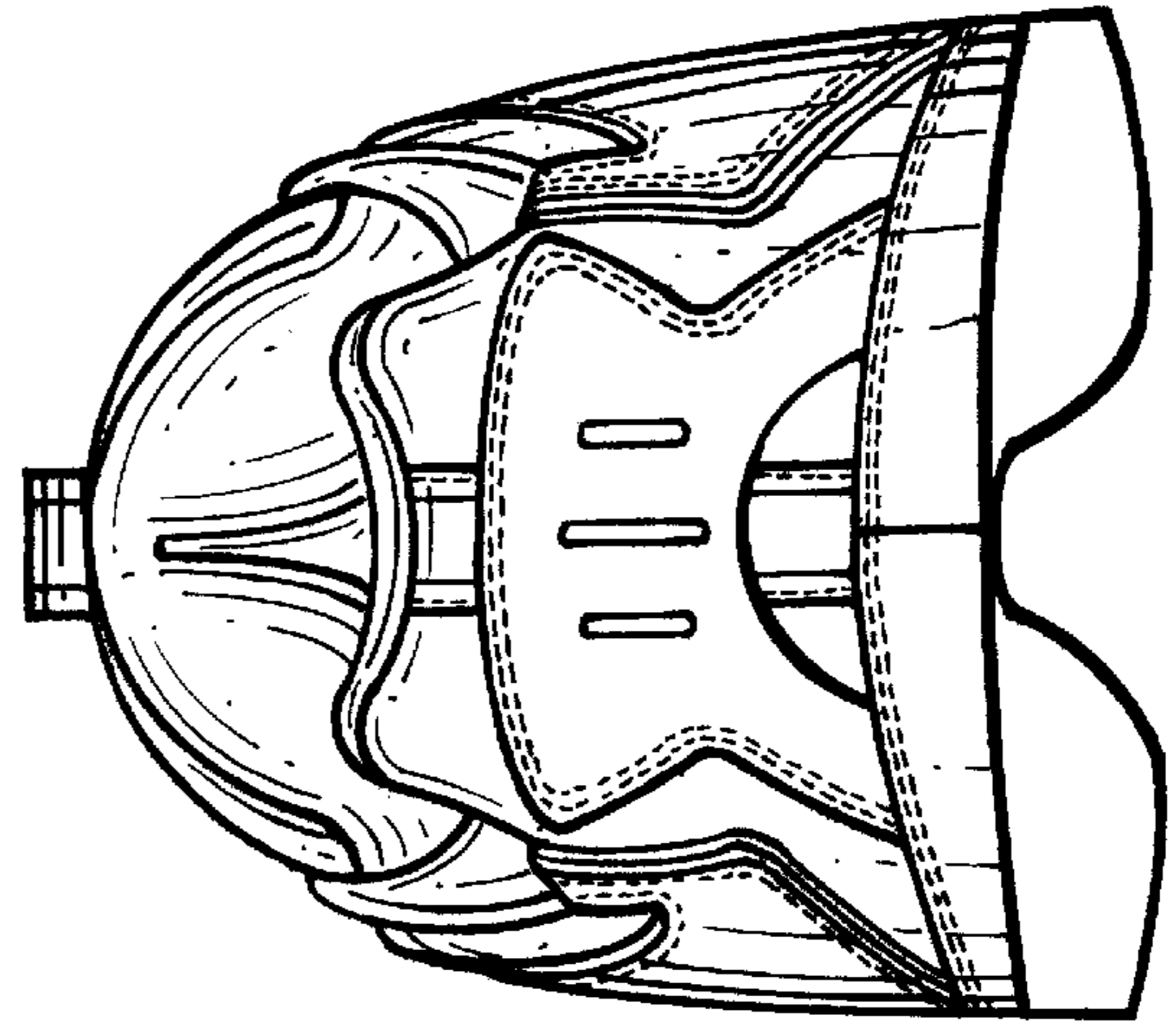
*Fig. 2.*



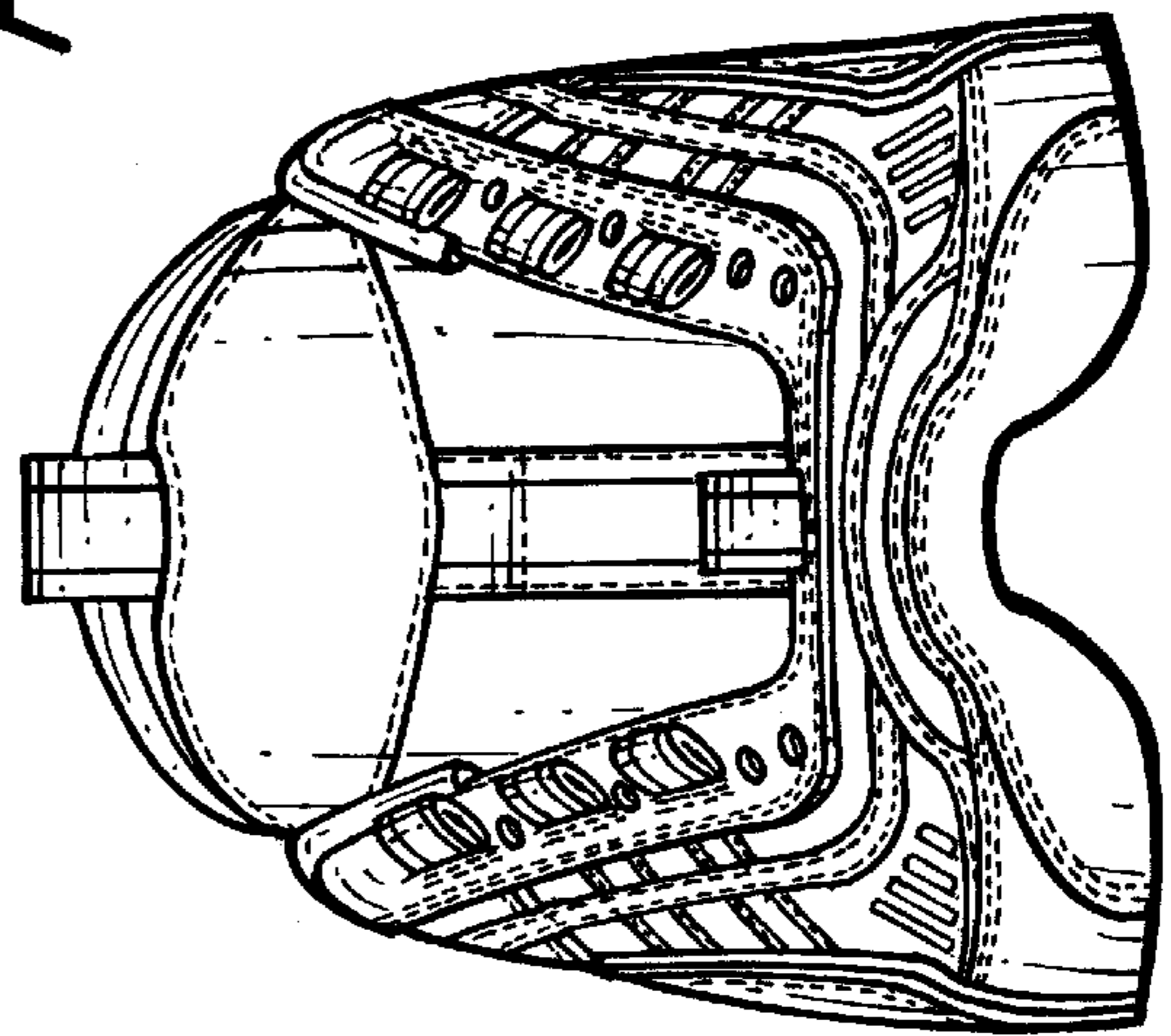
*Fig. 3.*



*Fig. 4.*



*Fig. 6.*



*Fig. 5.*