



US00D444610S

(12) **United States Design Patent**
Wimp et al.

(10) **Patent No.:** **US D444,610 S**

(45) **Date of Patent:** **** Jul. 3, 2001**

(54) **ABRASIVE RESISTANT PAD**

3,086,899 * 4/1963 Smith et al. 428/158
4,715,743 * 12/1987 Schmanski 404/9

(75) Inventors: **Thomas E. Wimp; Kenneth L. McAllister; Derek W. Dice; David B. Kees**, all of Bowling Green, KY (US)

* cited by examiner

(73) Assignee: **Lee Masonry, LLC**, Bowling Green, KY (US)

Primary Examiner—Paula A. Mortimer
(74) *Attorney, Agent, or Firm*—Kerrick Grise Stivers & Coyle, PLC; Laura M. Hagan

(**) Term: **14 Years**

(57) **CLAIM**

(21) Appl. No.: **29/132,147**

What is claimed is the ornamental design for the “abrasive resistant pad,” as shown and described.

(22) Filed: **Nov. 2, 2000**

DESCRIPTION

(51) **LOC (7) Cl.** **99-00**

(52) **U.S. Cl.** **D99/99**

(58) **Field of Search** D99/99; D12/316; D13/156; 441/133, 266; 15/215; 52/181, 215; 404/9; 428/158; 105/422, 423; D6/595, 596, 601, 606; D25/113, 114, 115

FIG. 1 is a perspective view of the “abrasive resistant pad”; FIG. 2 is a top view of the “abrasive resistant pad”; FIG. 3 is a bottom view of the “abrasive resistant pad”; FIG. 4 is a side view of the “abrasive resistant pad”, all sides of the pad being identical; and, FIG. 5 is a perspective view of the “abrasive resistant pad” shown in use with an open-cell concrete block.

(56) **References Cited**

U.S. PATENT DOCUMENTS

344,703 * 6/1886 Whiteley 52/181
D. 378,968 * 4/1997 Martin et al. D6/596

The broken line showing of open cell concrete block is for illustrative purposes only and forms no part of the claimed design.

1 Claim, 5 Drawing Sheets

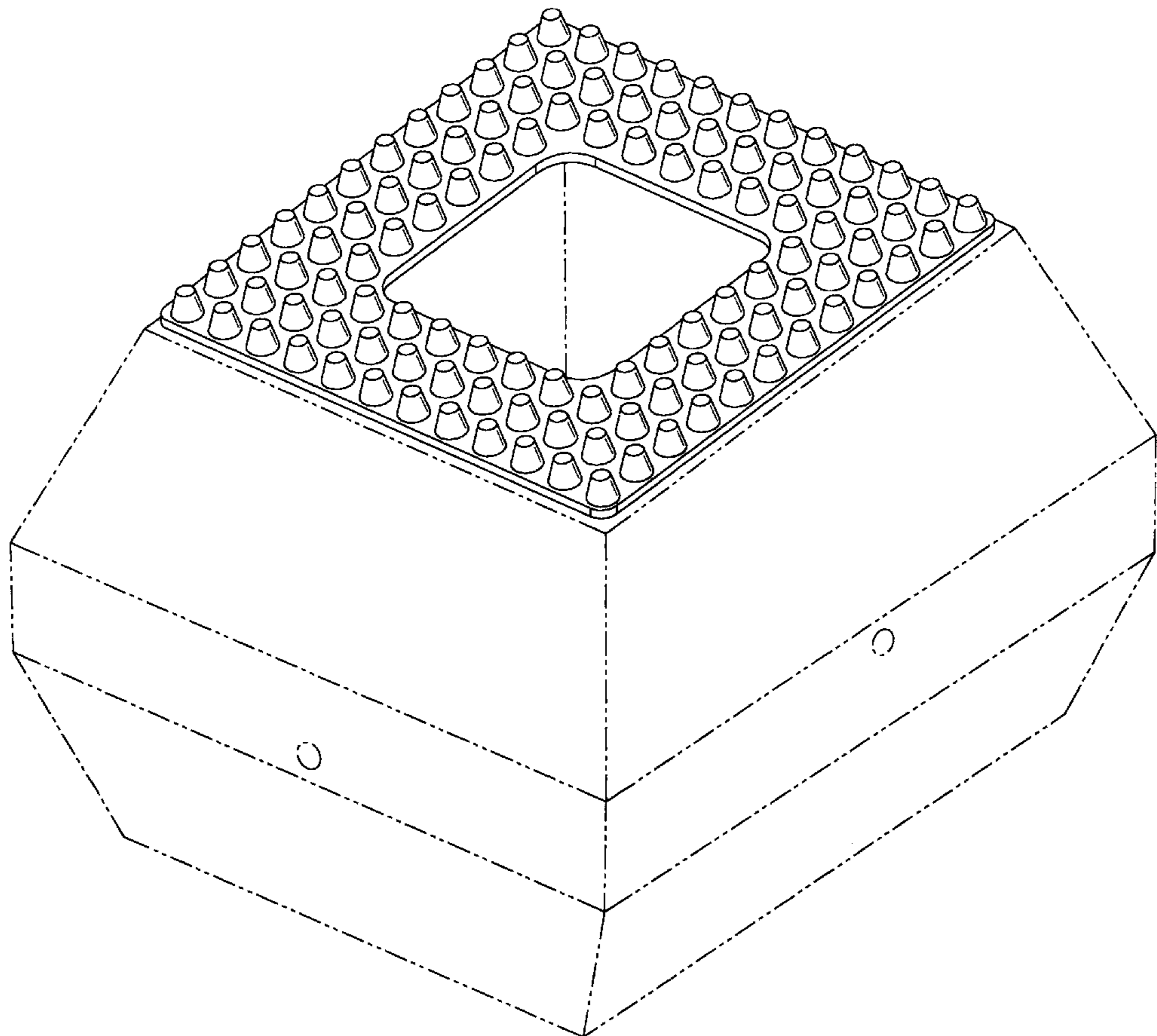


FIG. 1

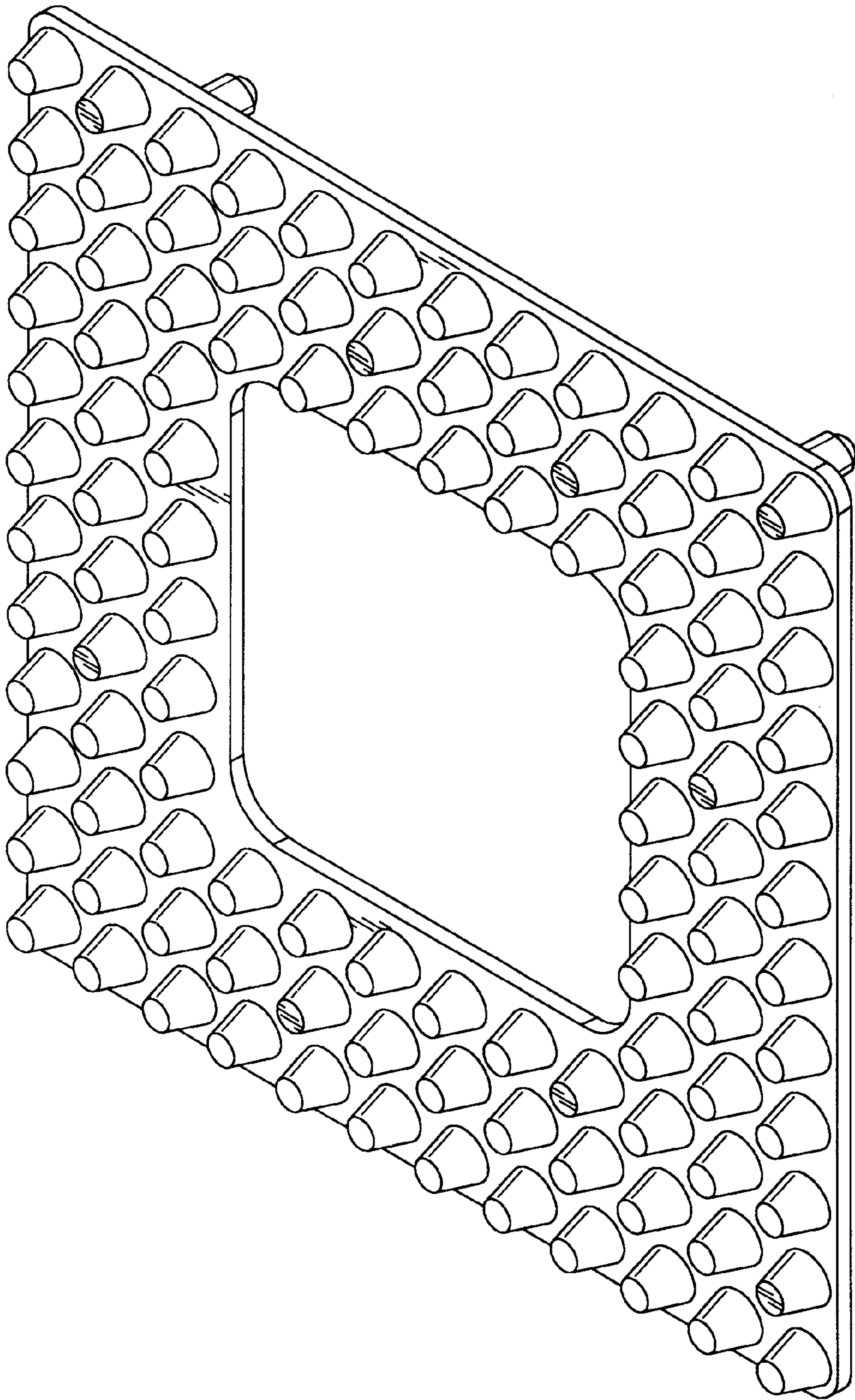


FIG. 2

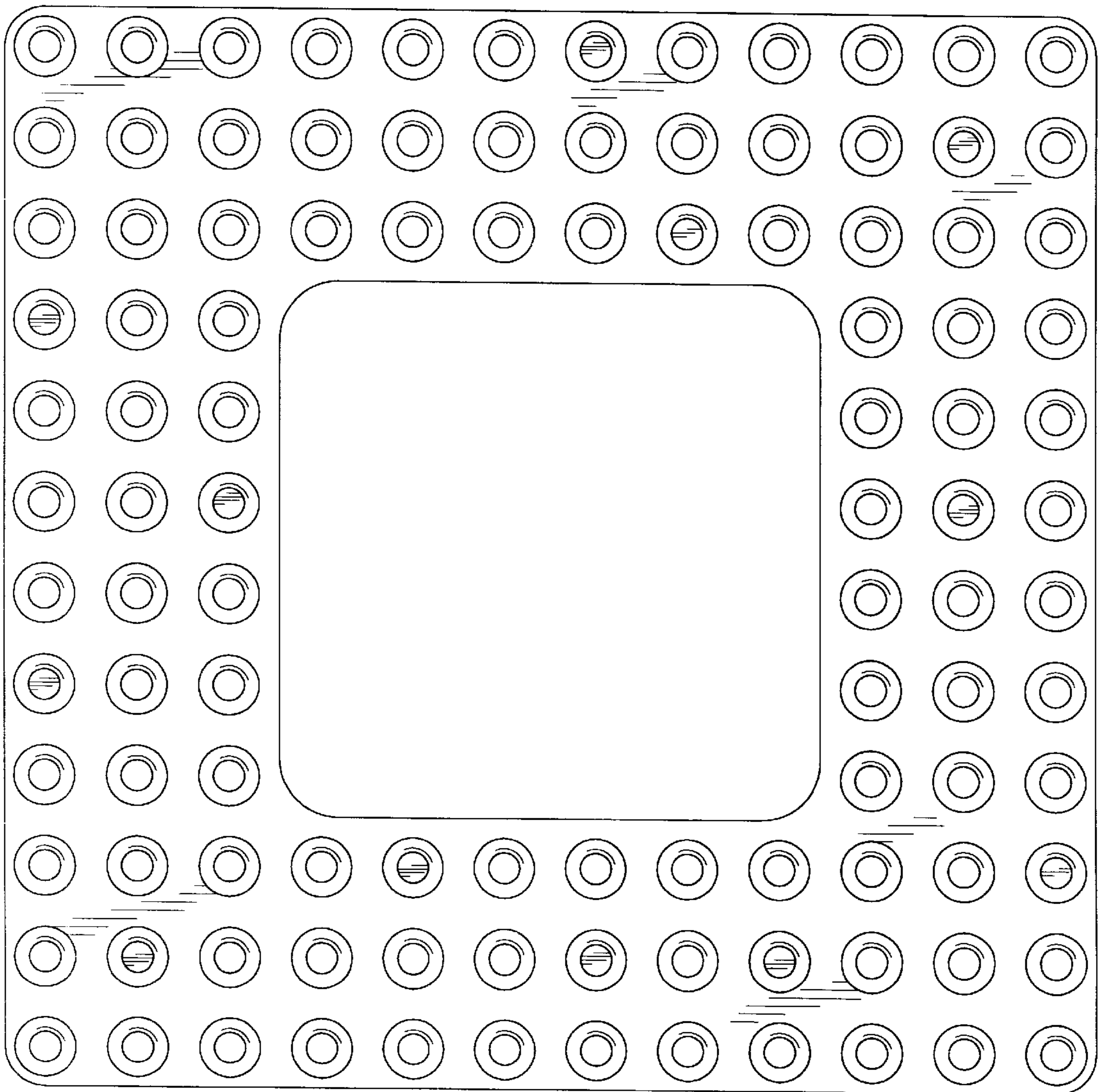


FIG. 3

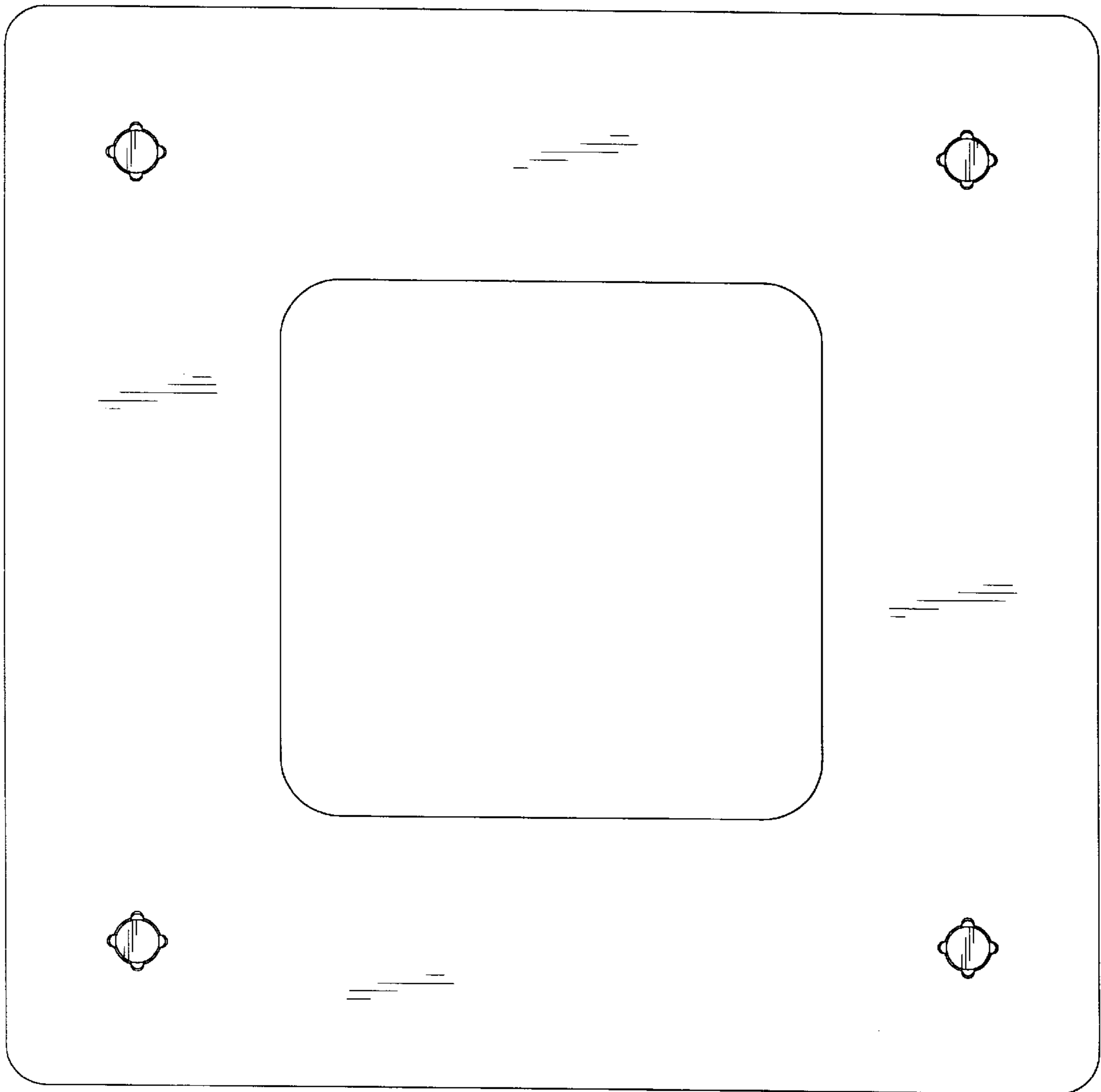


FIG. 4

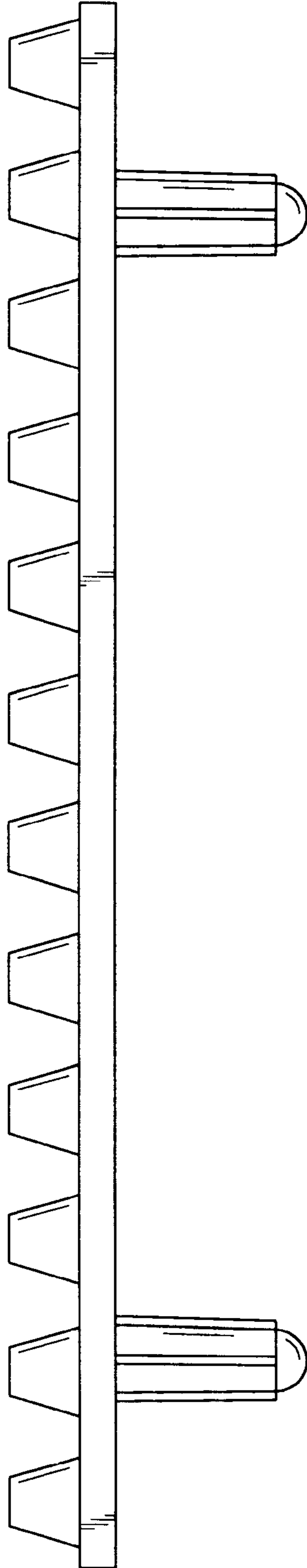


FIG. 5

