



US00D444607S

(12) **United States Design Patent**
Yurushi et al.

(10) **Patent No.: US D444,607 S**
(45) **Date of Patent: ** Jul. 3, 2001**

(54) **FORK LIFT TRUCK**

DESCRIPTION

(75) Inventors: **Toshiyuki Yurushi; Joji Tominaga; Yoshiyuki Enmeiji; Masafumi Yokoyama**, all of Osaka (JP)

(73) Assignee: **TCM Corporation**, Osaka (JP)

(**) Term: **14 Years**

(21) Appl. No.: **29/125,990**

(22) Filed: **Jul. 6, 2000**

(30) **Foreign Application Priority Data**

Mar. 30, 2000	(JP)	12-007994
Mar. 30, 2000	(JP)	12-007995
Mar. 30, 2000	(JP)	12-008002

(51) **LOC (7) Cl.** **12-05**

(52) **U.S. Cl.** **D34/34**

(58) **Field of Search** D34/28, 34; 187/222-237; 414/631-638

(56) **References Cited**

U.S. PATENT DOCUMENTS

D. 389,981	*	1/1998	Donaldson	D34/34
D. 389,982	*	1/1998	Kim	D34/34
D. 393,134	*	3/1998	Mariano	D34/34
D. 393,517	*	4/1998	Kim et al.	D34/34
5,238,086	*	8/1993	Aoki et al.	187/222
5,524,721	*	6/1996	Yamauchi	187/222
6,092,976	*	1/1998	Kamiya	414/636

* cited by examiner

Primary Examiner—Susan J. Lucas

Assistant Examiner—Cynthia E Ramirez

(74) *Attorney, Agent, or Firm*—Fildes & Outland, P.C.

(57) **CLAIM**

The ornamental design for a fork lift truck, as shown and described.

FIG. 1 is a front elevational view of a fork lift truck showing our new design;
 FIG. 2 is a rear elevational view thereof;
 FIG. 3 is a right side elevational view thereof;
 FIG. 4 is a left side elevational view thereof;
 FIG. 5 is a top plan view thereof;
 FIG. 6 is a perspective view thereof from the right front;
 FIG. 7 is a perspective view thereof from the left rear;
 FIG. 8 is a another right side elevational view thereof;
 FIG. 9 is another perspective view thereof from the right front;
 FIG. 10 is a partial elevational view thereof of the left side;
 FIG. 11 is a front elevational view of a second embodiment of the fork lift truck of FIG. 1;
 FIG. 12 is a rear elevational view thereof;
 FIG. 13 is a right side elevational view thereof;
 FIG. 14 is a left side elevational view thereof;
 FIG. 15 is a top plan view thereof;
 FIG. 16 is a perspective view thereof from the right front;
 FIG. 17 is a perspective view thereof from the left rear;
 FIG. 18 is a another right side elevational view thereof;
 FIG. 19 is a perspective view thereof from the left front;
 FIG. 20 is a partial elevational view thereof of the left side;
 FIG. 21 is a front elevational view of a third embodiment of the fork lift truck of FIG. 1;
 FIG. 22 is a rear elevational view thereof;
 FIG. 23 is a right side elevational view thereof;
 FIG. 24 is a left side elevational view thereof;
 FIG. 25 is a top plan view thereof;
 FIG. 26 is a perspective view thereof from the right front;
 FIG. 27 is a perspective view thereof from the left rear;
 FIG. 28 is a another right side elevational view thereof;
 FIG. 29 is another perspective view thereof from the right front; and,
 FIG. 30 is a partial elevational view thereof of the left side.

1 Claim, 15 Drawing Sheets

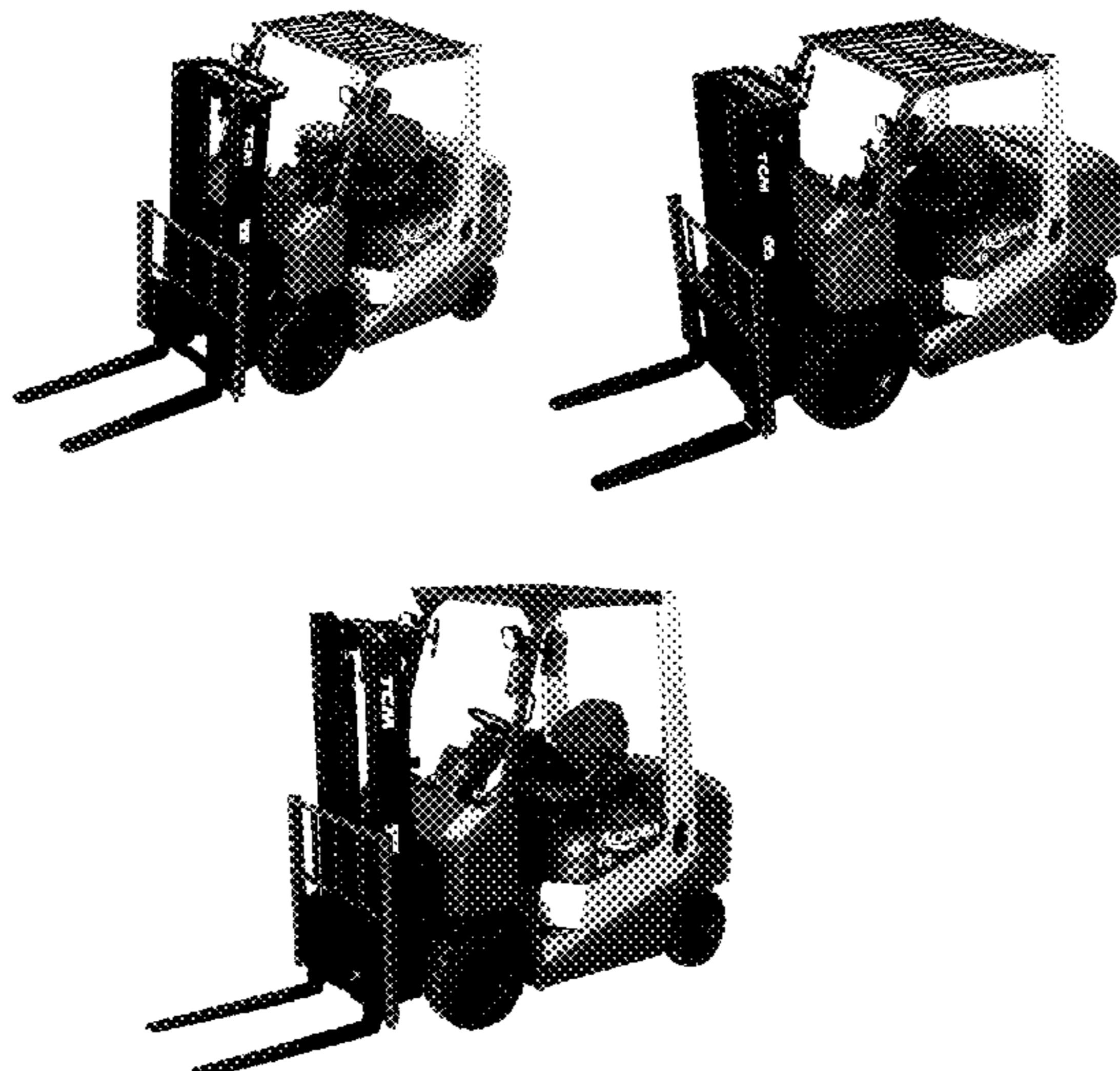


FIG-1

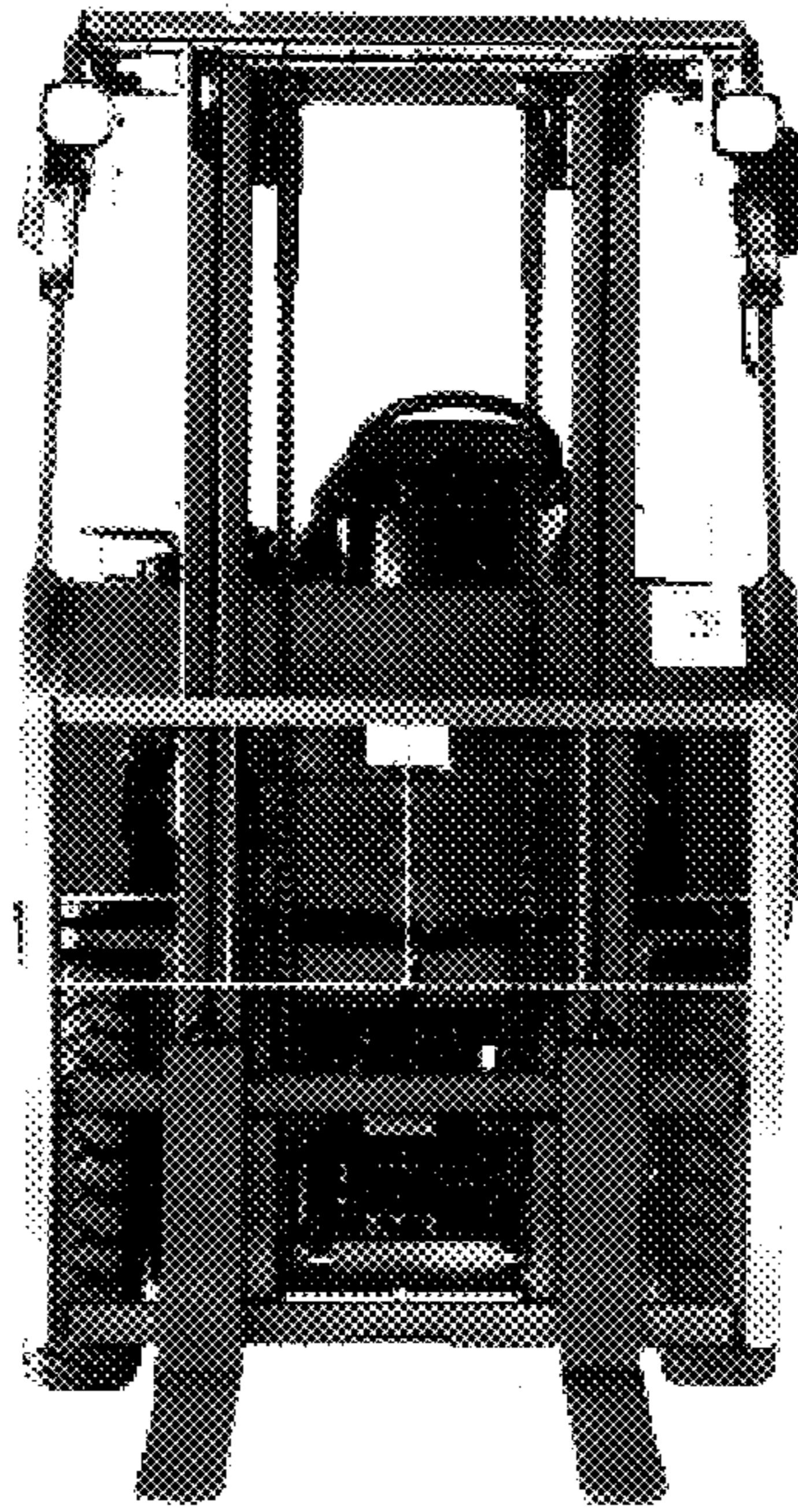


FIG-2

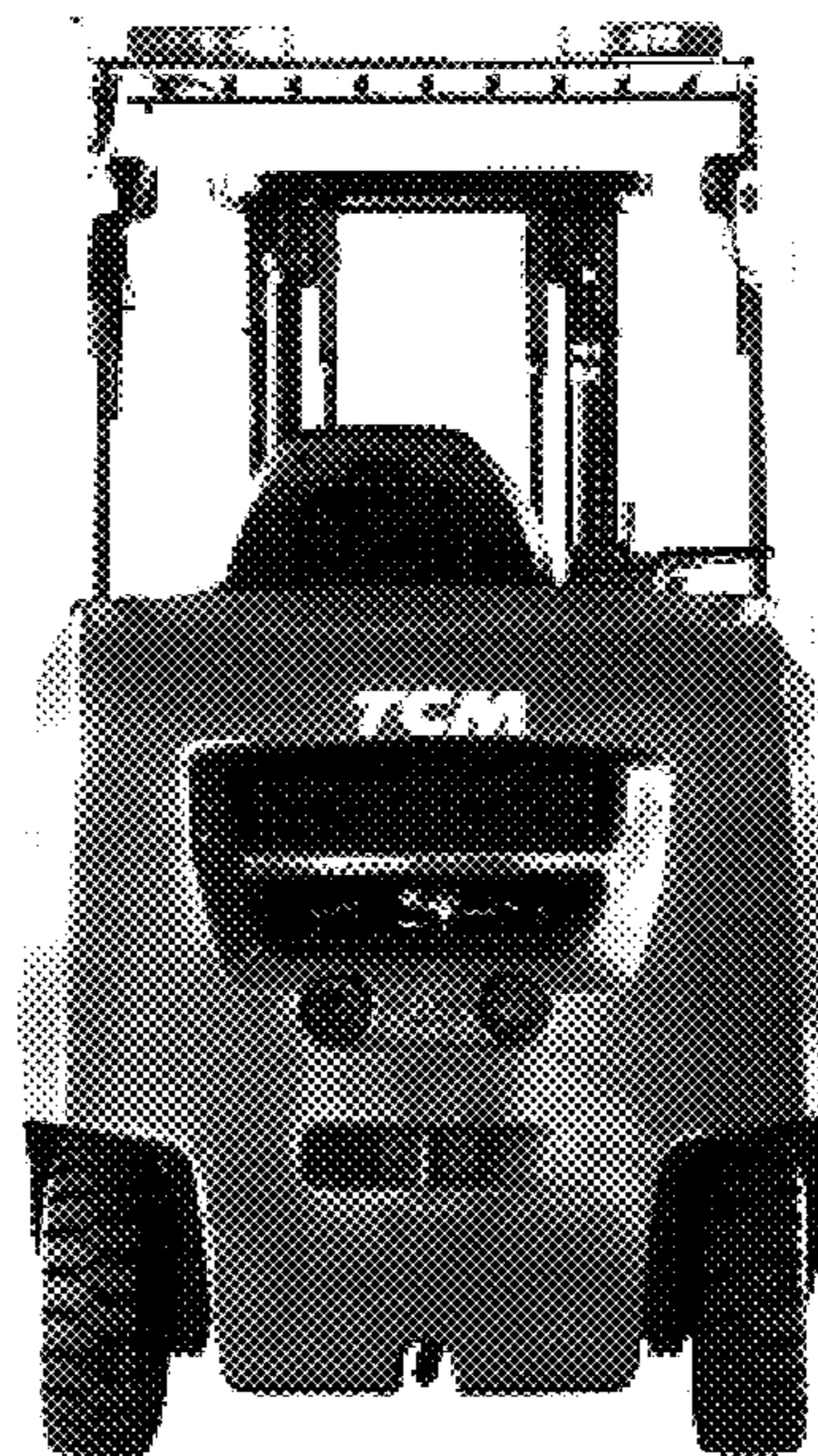


FIG - 3



FIG - 4



FIG-5

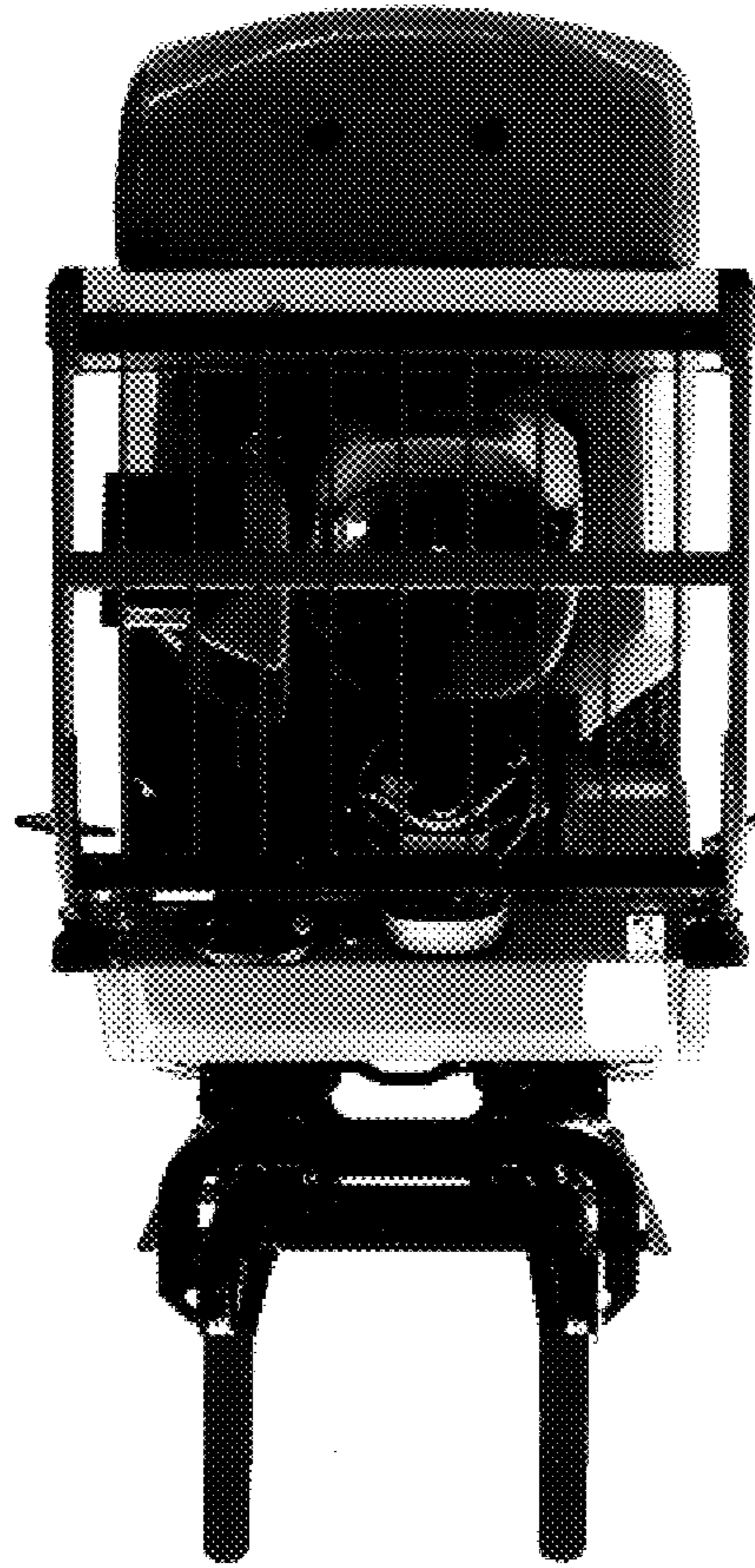


FIG-6

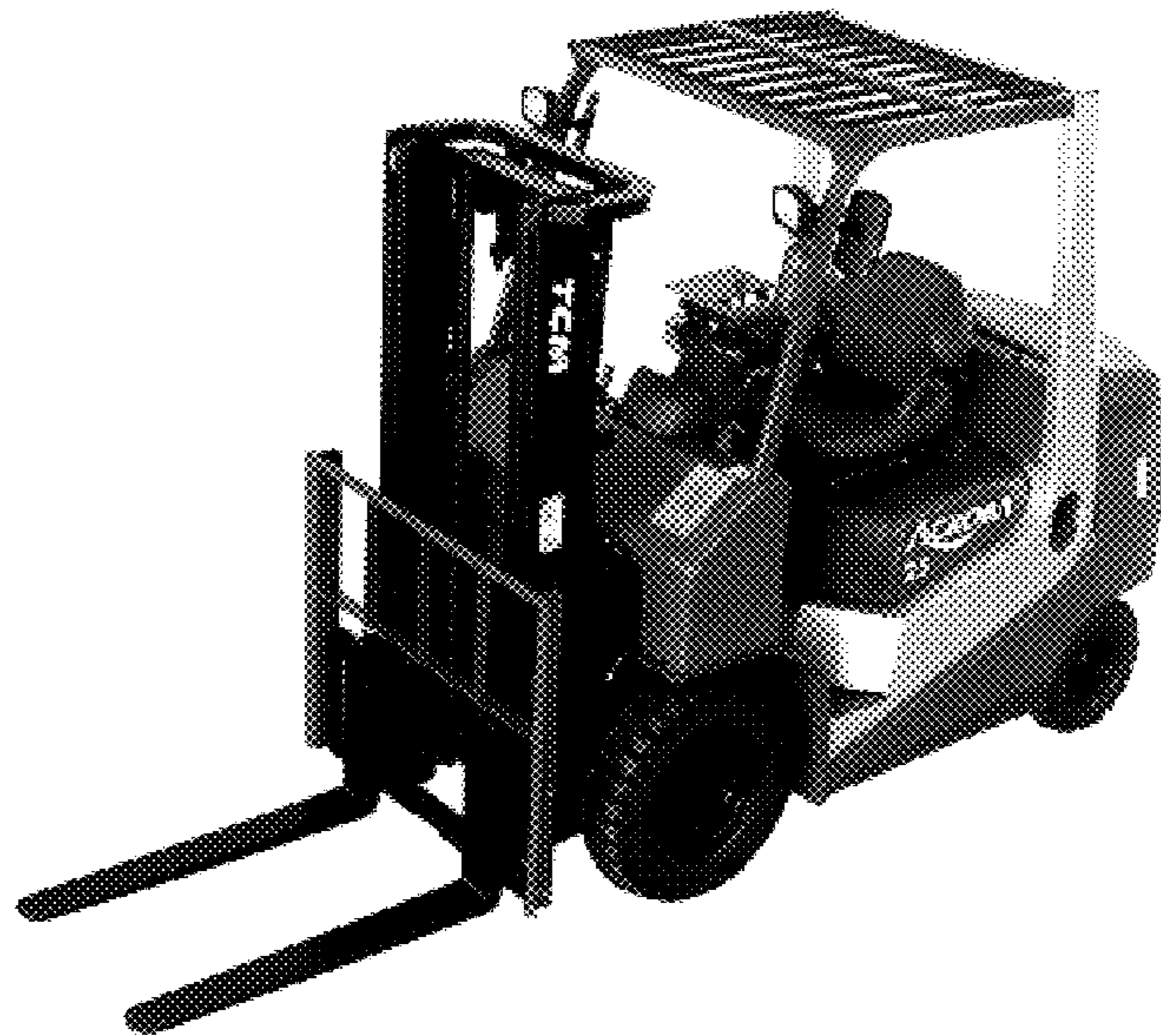


FIG-7



FIG-8

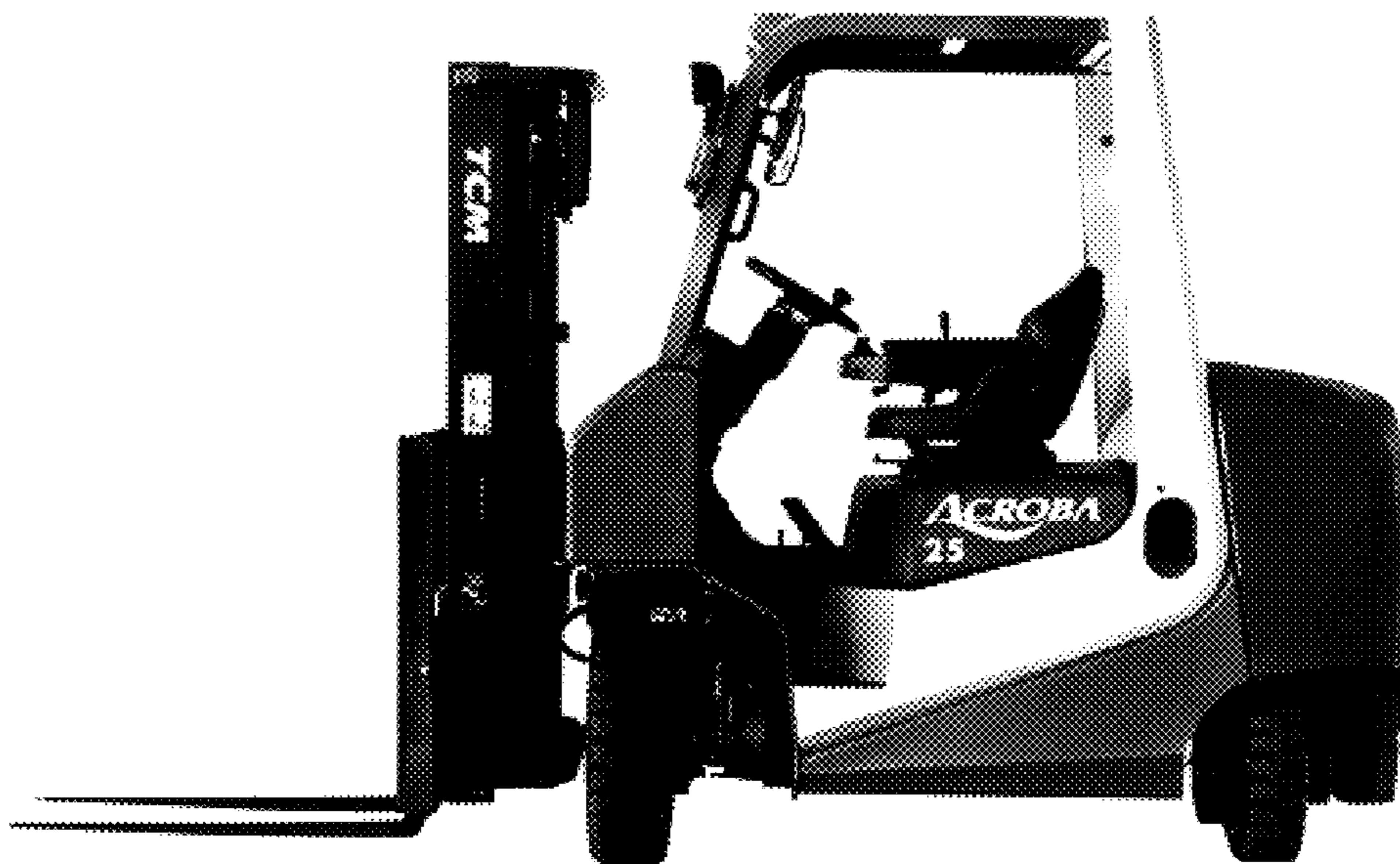


FIG-9



FIG-10



FIG-11

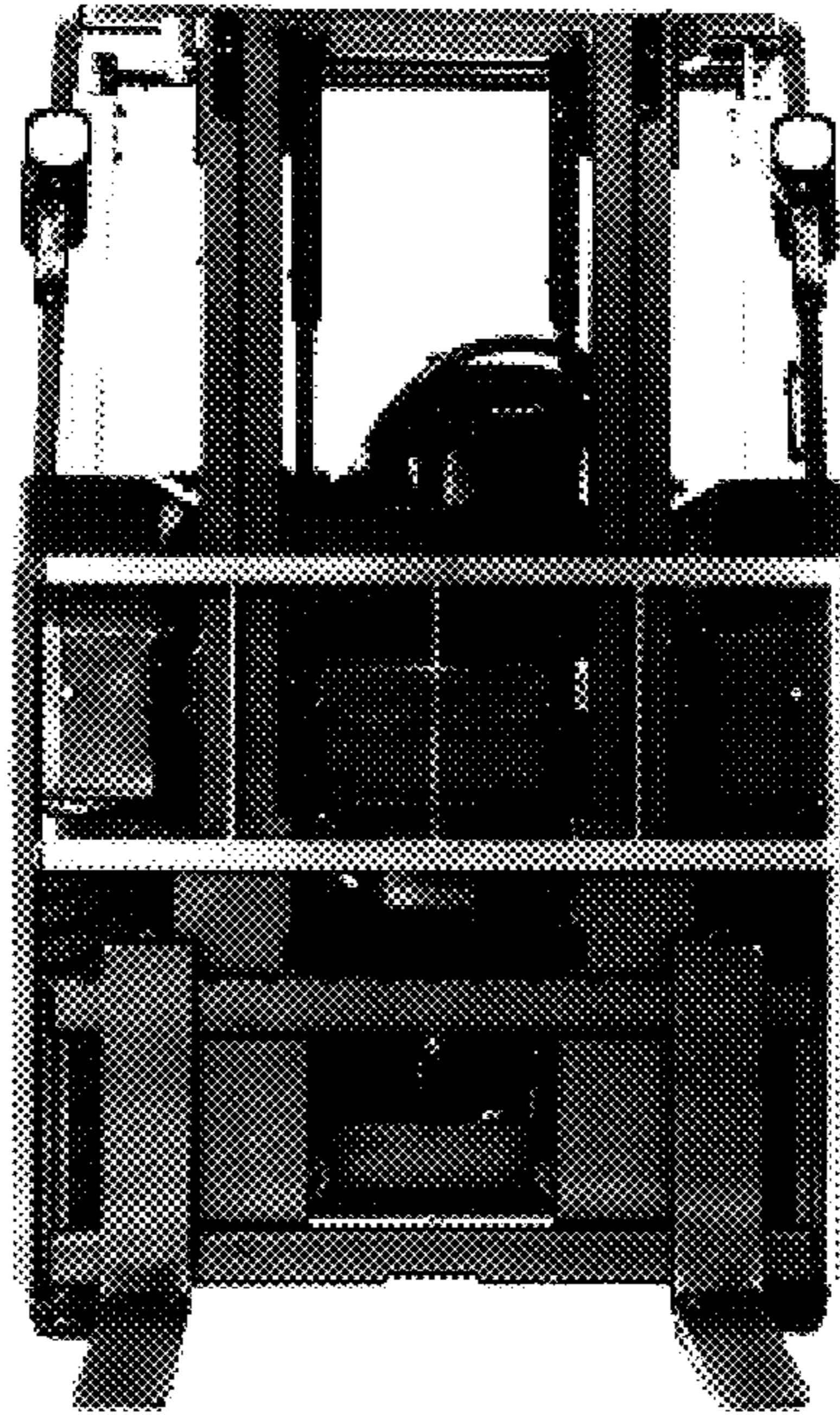


FIG-12



FIG-13



FIG-14



FIG-15

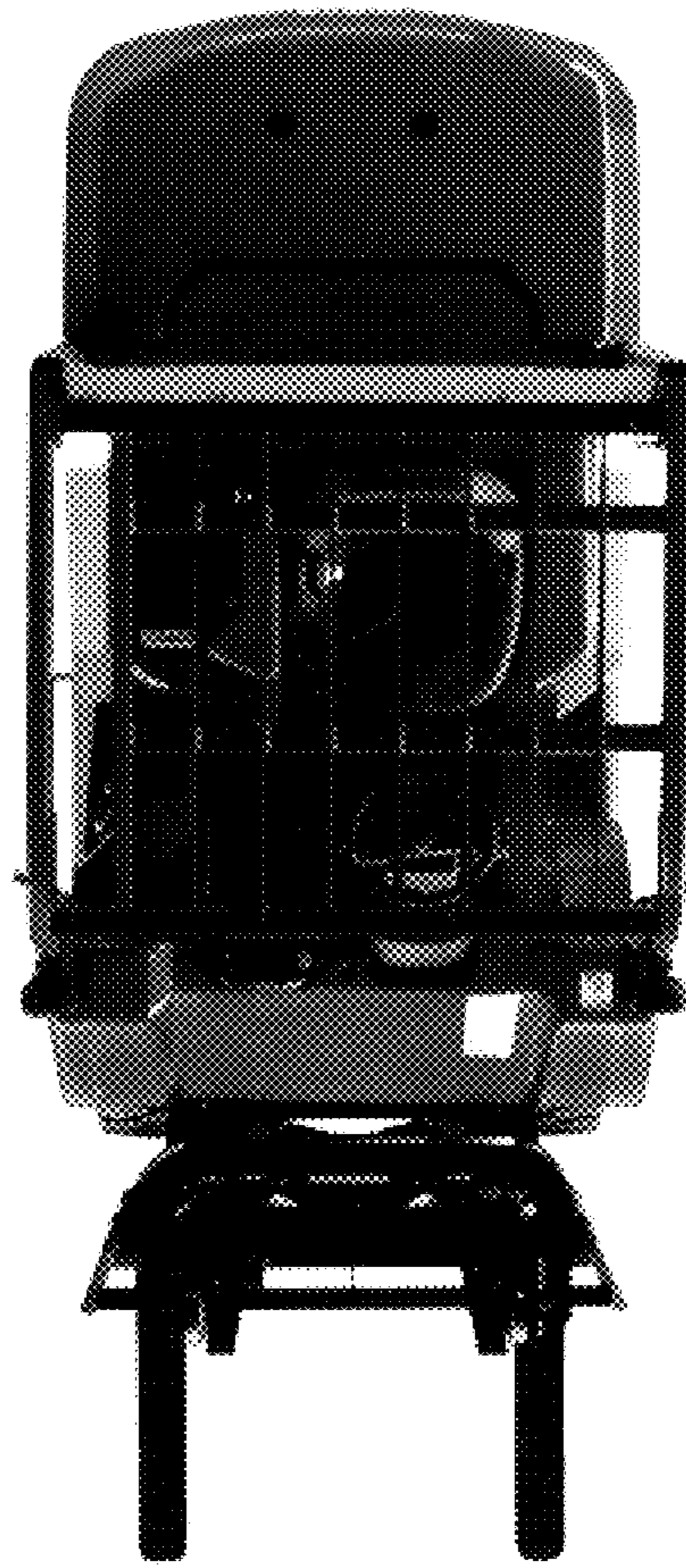


FIG-16

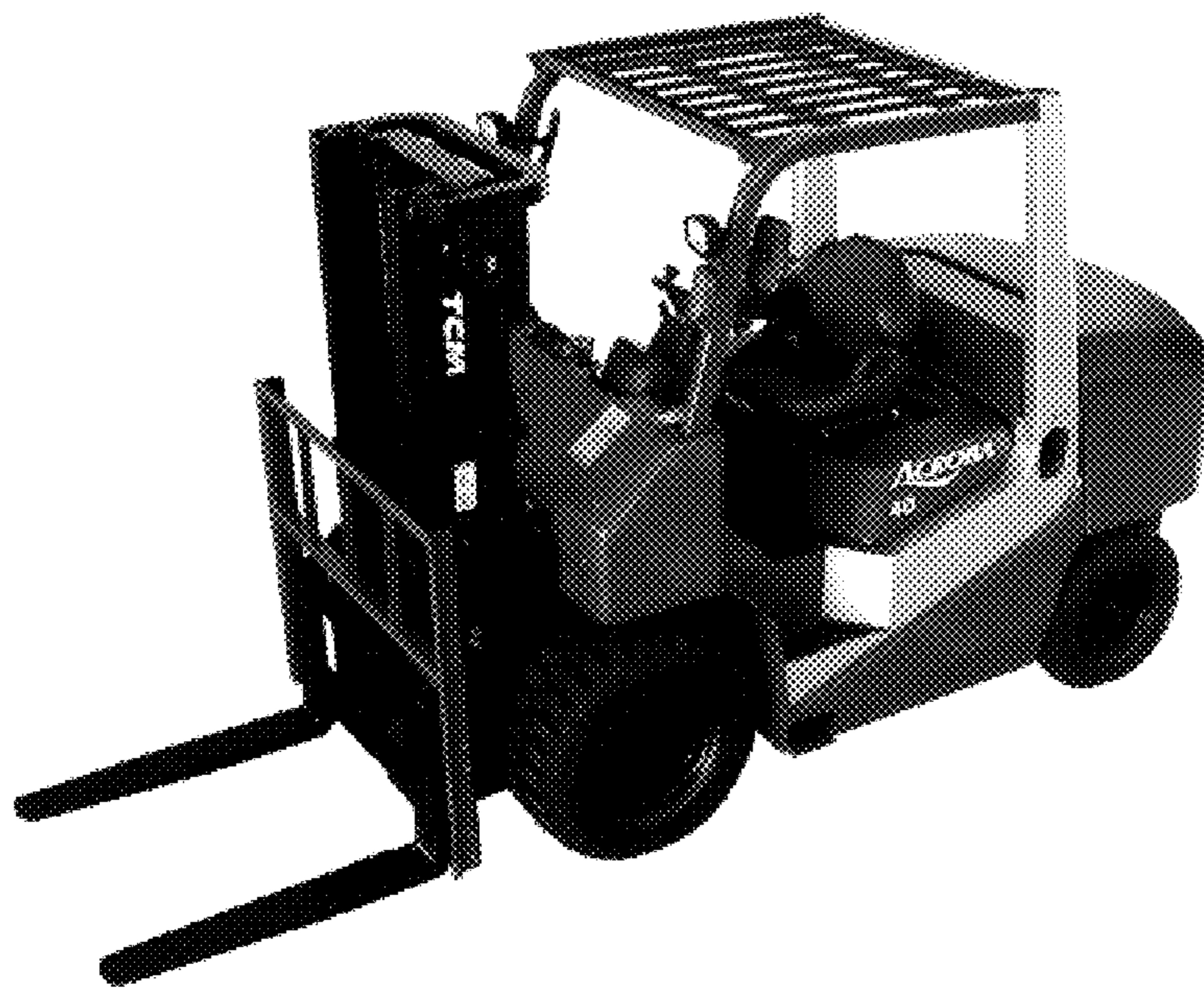


FIG-17



FIG-18

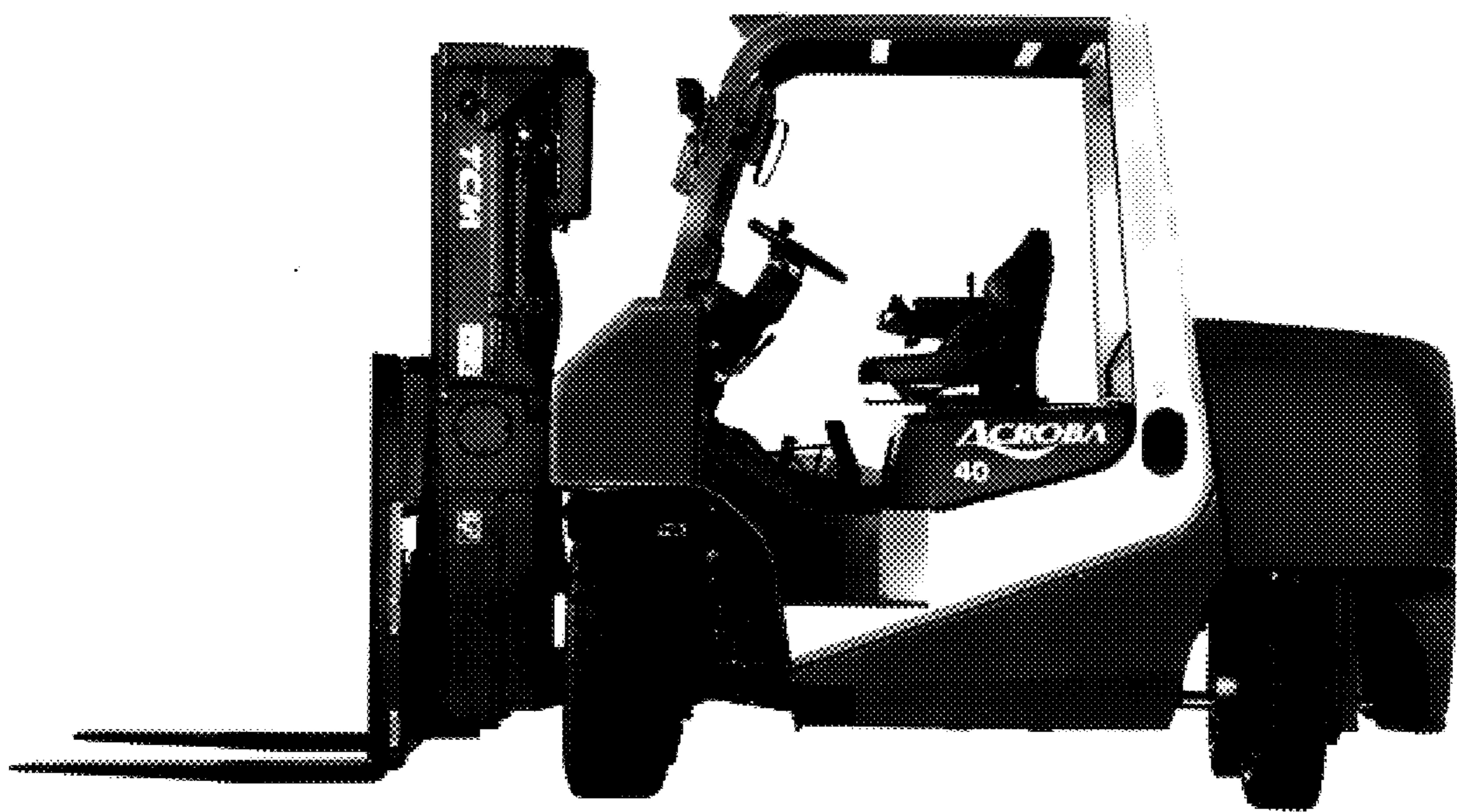


FIG-19

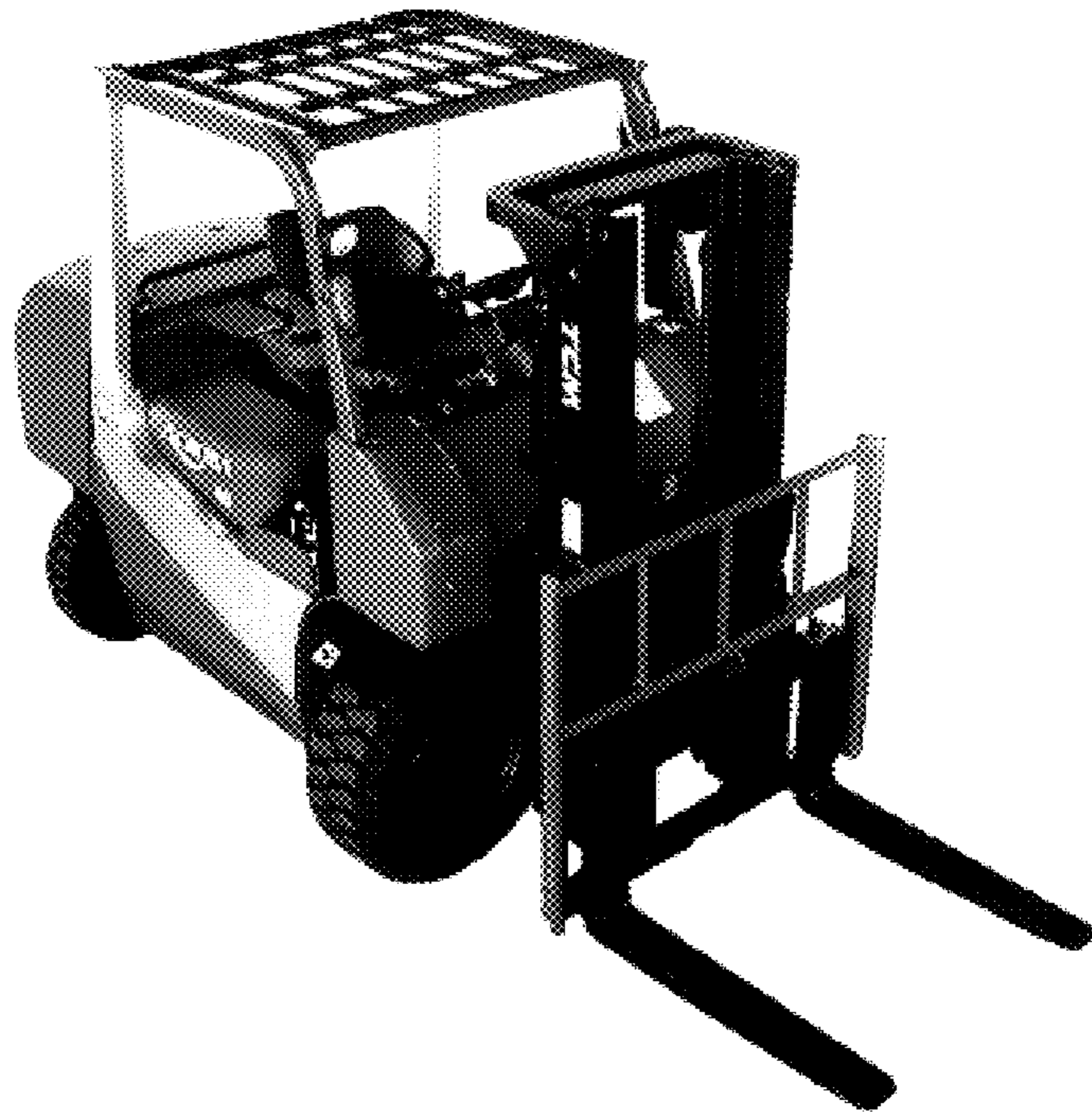


FIG-20



FIG-21



FIG-22



FIG-23



FIG-24

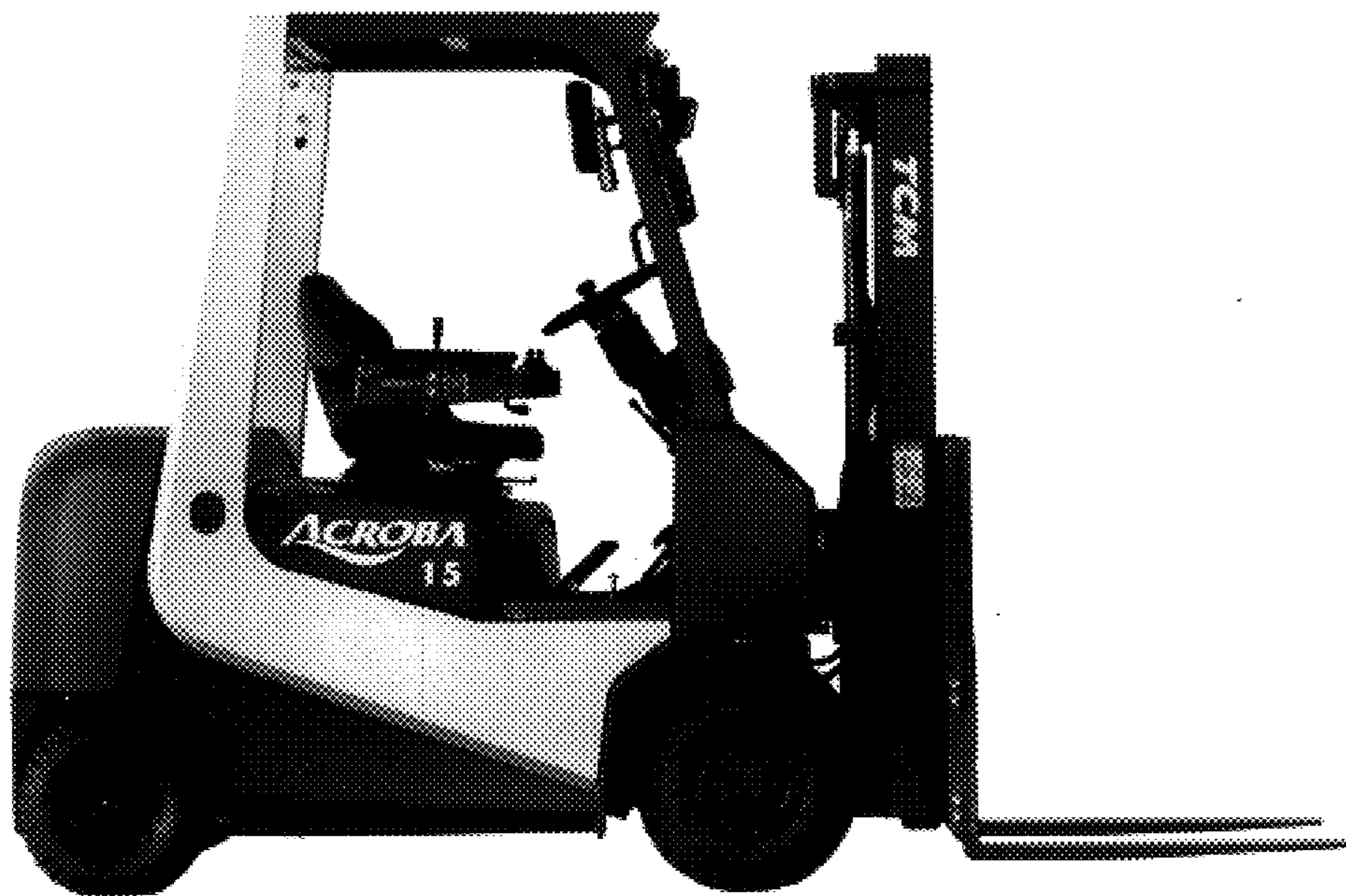


FIG-25

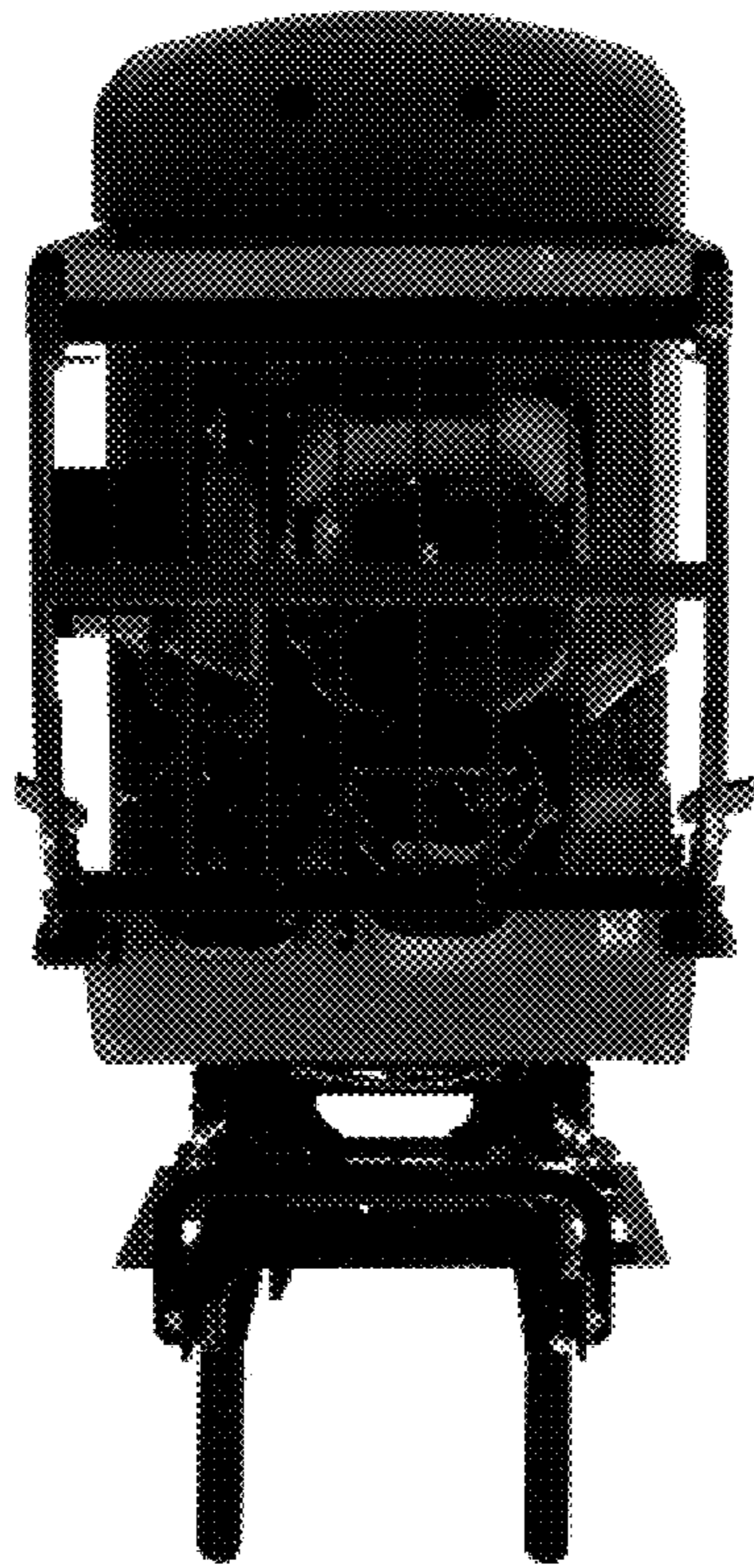


FIG-26



FIG-27



FIG-28



FIG-29



FIG-30

