



US00D444606S

(12) **United States Design Patent**  
**Hsu**

(10) **Patent No.:** **US D444,606 S**

(45) **Date of Patent:** **\*\* Jul. 3, 2001**

- (54) **JACK**
- (76) Inventor: **Kun-Shan Hsu**, 16, Lane 175,  
Hakoliau Rd., Cha Yi City (TW)
- (\*\*) Term: **14 Years**
- (21) Appl. No.: **29/129,927**
- (22) Filed: **Sep. 25, 2000**
- (51) **LOC (7) Cl.** ..... **12-05**
- (52) **U.S. Cl.** ..... **D34/31**
- (58) **Field of Search** ..... D34/31, 28, 33;  
254/8 B, 84, 11, 93 H, 2 B, 88, DIG. 3,  
45, 94

3,807,694	*	4/1974	Butorac	.....	254/8 B
4,635,902	*	1/1987	Chou	.....	254/8 B
5,201,494	*	4/1993	Lundman	.....	254/8 B
5,551,668	*	9/1996	Hung	.....	254/8 B
5,947,447	*	9/1999	Sorensen	.....	254/8 B

\* cited by examiner

*Primary Examiner*—Cynthia E Ramirez  
(74) *Attorney, Agent, or Firm*—Alan D. Kamrath; Rider,  
Bennett, Egan & Arundel, LLP

(57) **CLAIM**

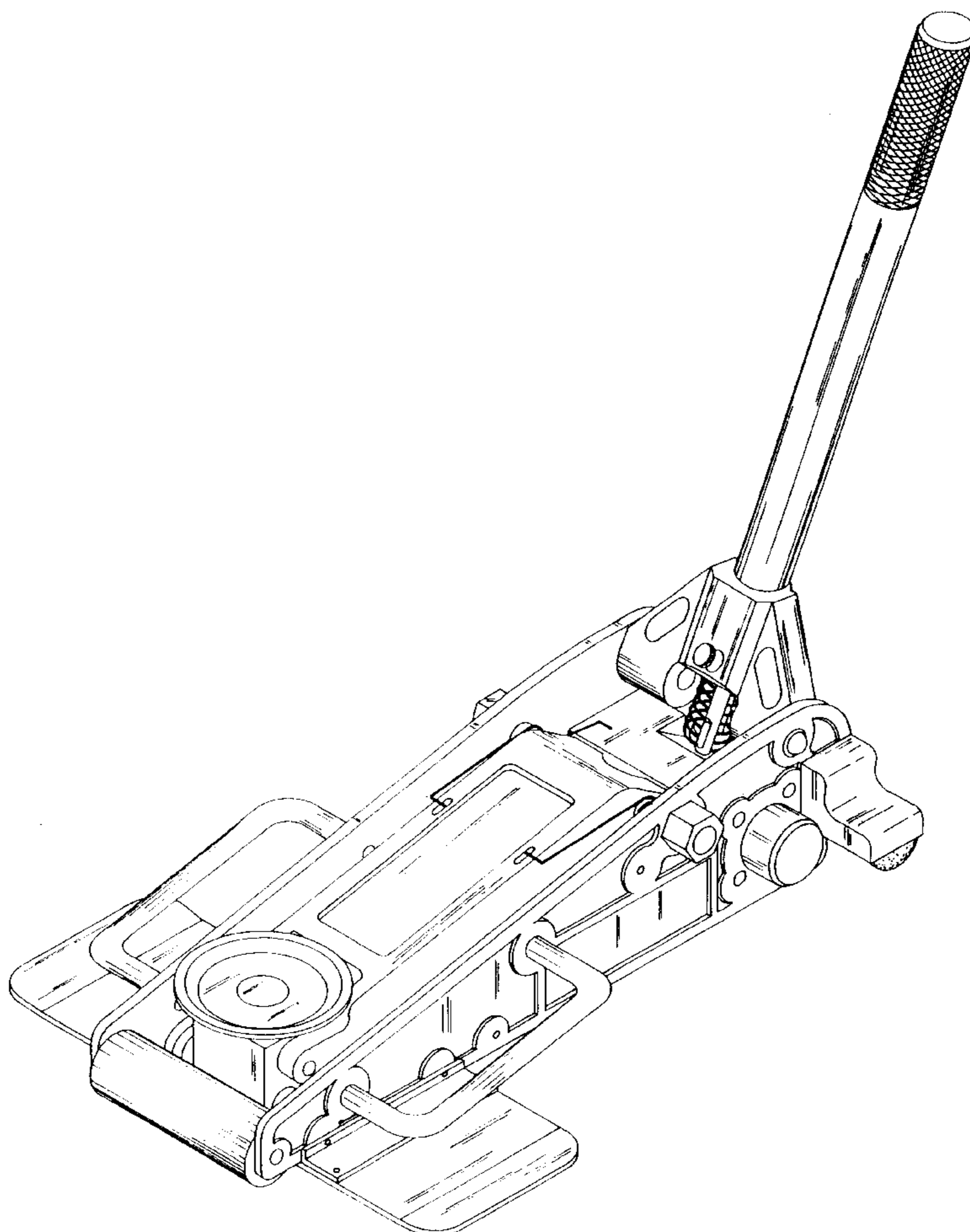
The ornamental design for a jack, as shown and described.

**DESCRIPTION**

FIG. 1 is a perspective view of a jack showing my new design;  
FIG. 2 is a front elevational view thereof;  
FIG. 3 is a rear elevational view thereof;  
FIG. 4 is a left side elevational view thereof.  
FIG. 5 is a right side elevational view thereof;  
FIG. 6 is a top plan view thereof; and,  
FIG. 7 is a bottom plan view thereof.

- (56) **References Cited**
- U.S. PATENT DOCUMENTS**
- D. 358,923 \* 5/1995 Hawkins ..... D34/31
- D. 364,026 \* 11/1995 Hung ..... D34/31
- D. 398,730 \* 9/1998 Lin ..... D34/31
- D. 416,370 \* 11/1999 Hung ..... D34/31
- D. 421,516 \* 3/2000 Hung ..... D34/31
- D. 423,750 \* 4/2000 Hung ..... D34/31
- 1,674,397 \* 6/1928 Hopkins ..... 254/8 B

**1 Claim, 7 Drawing Sheets**



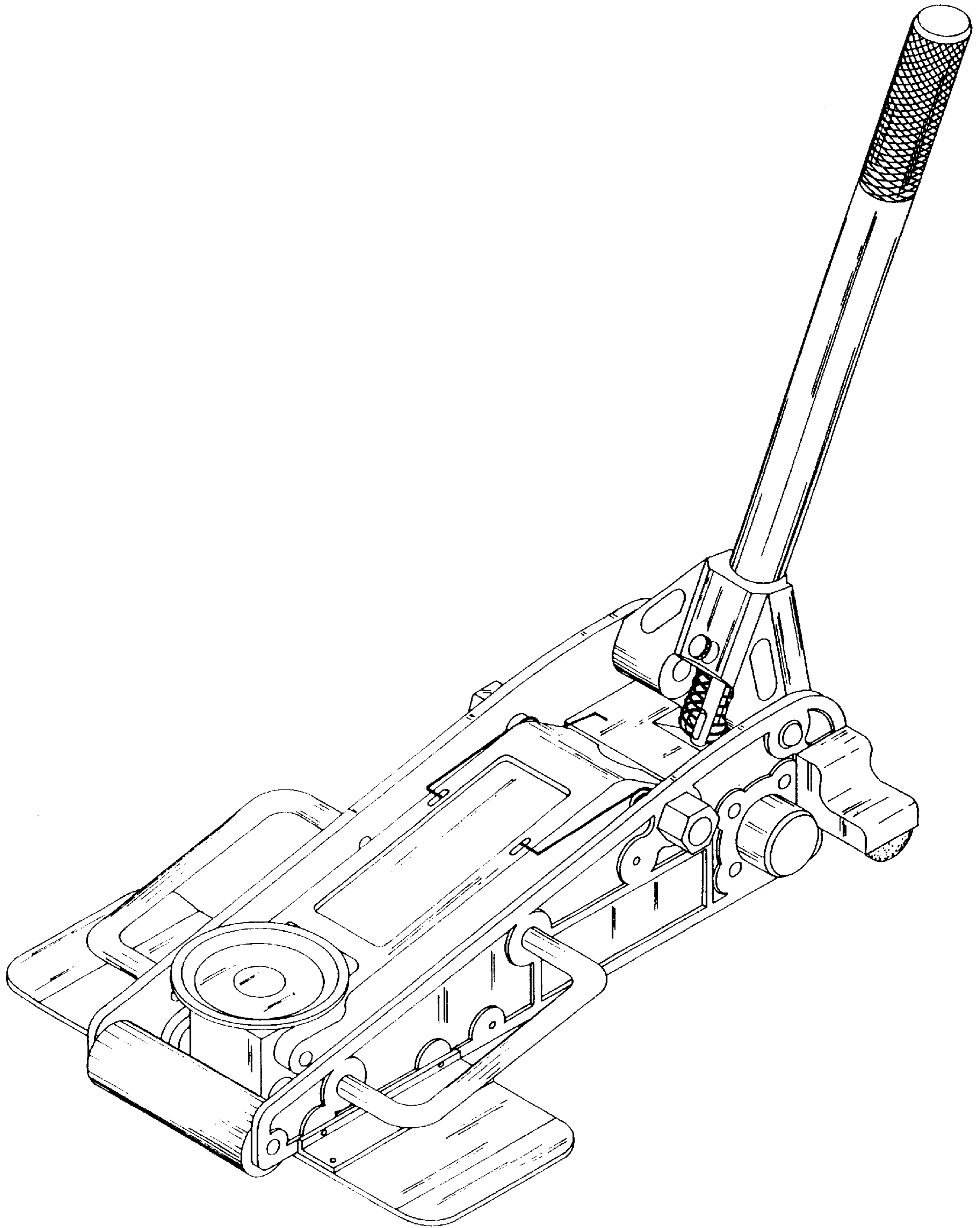


FIG. 1

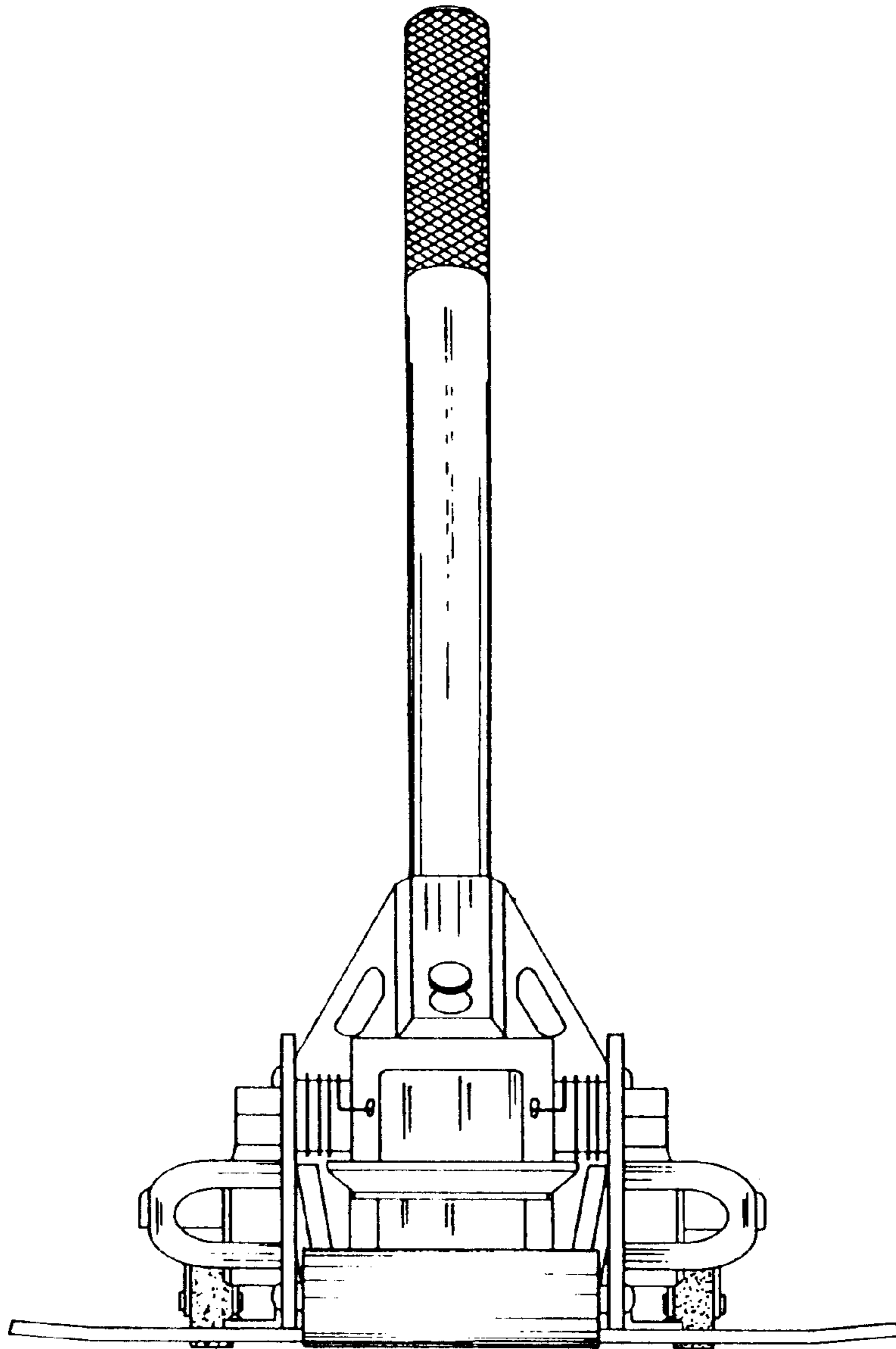


FIG. 2

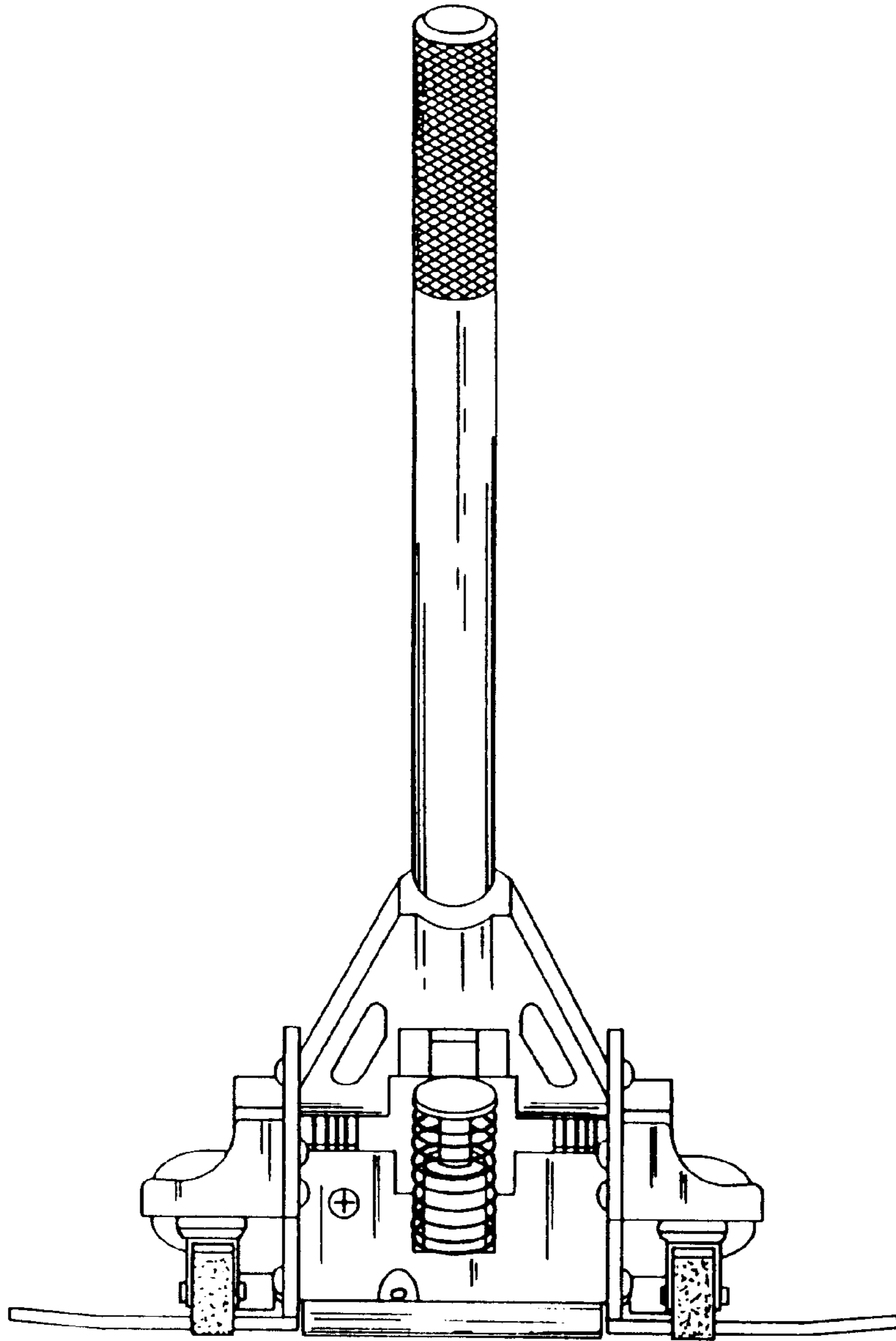


FIG. 3

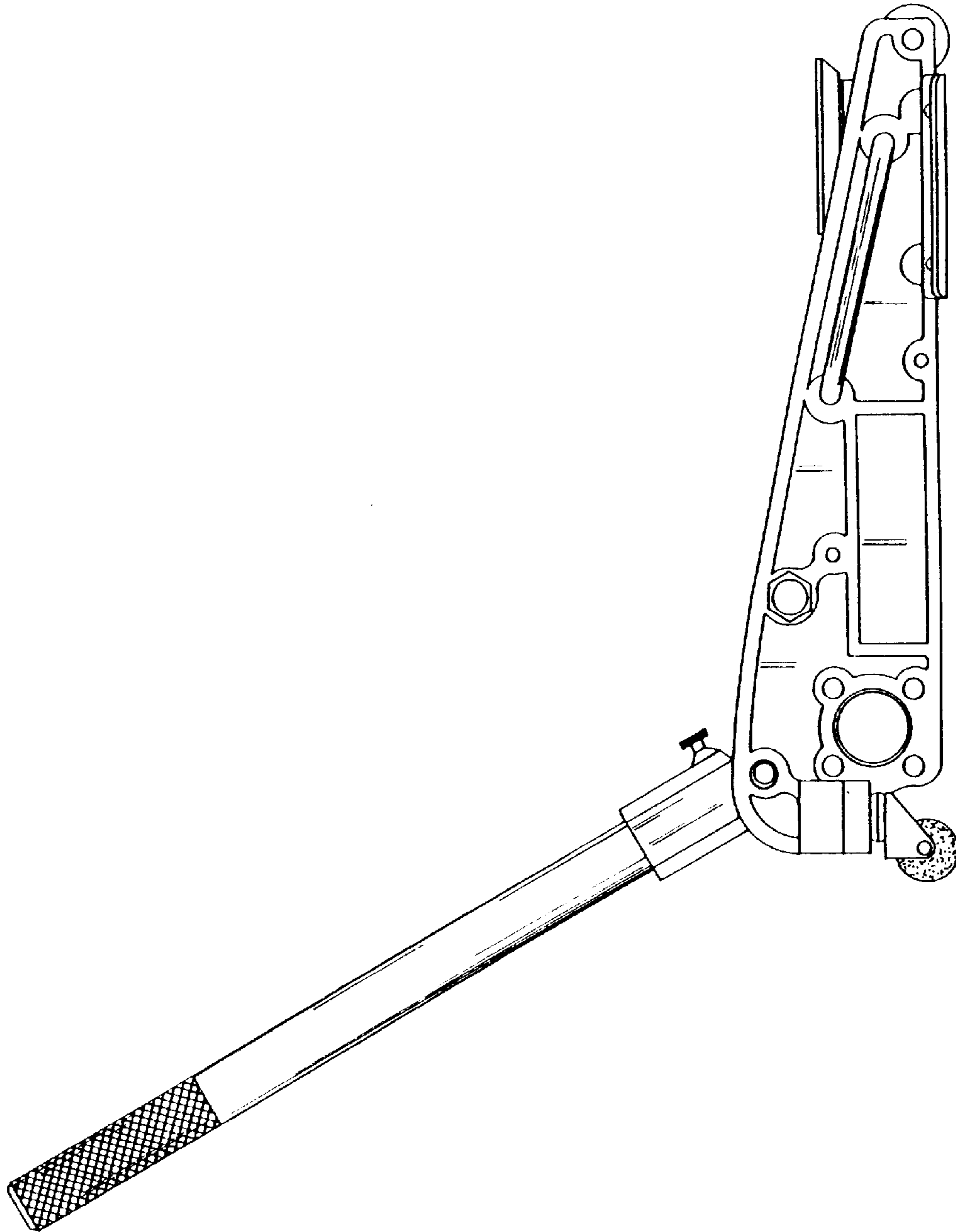


FIG. 4

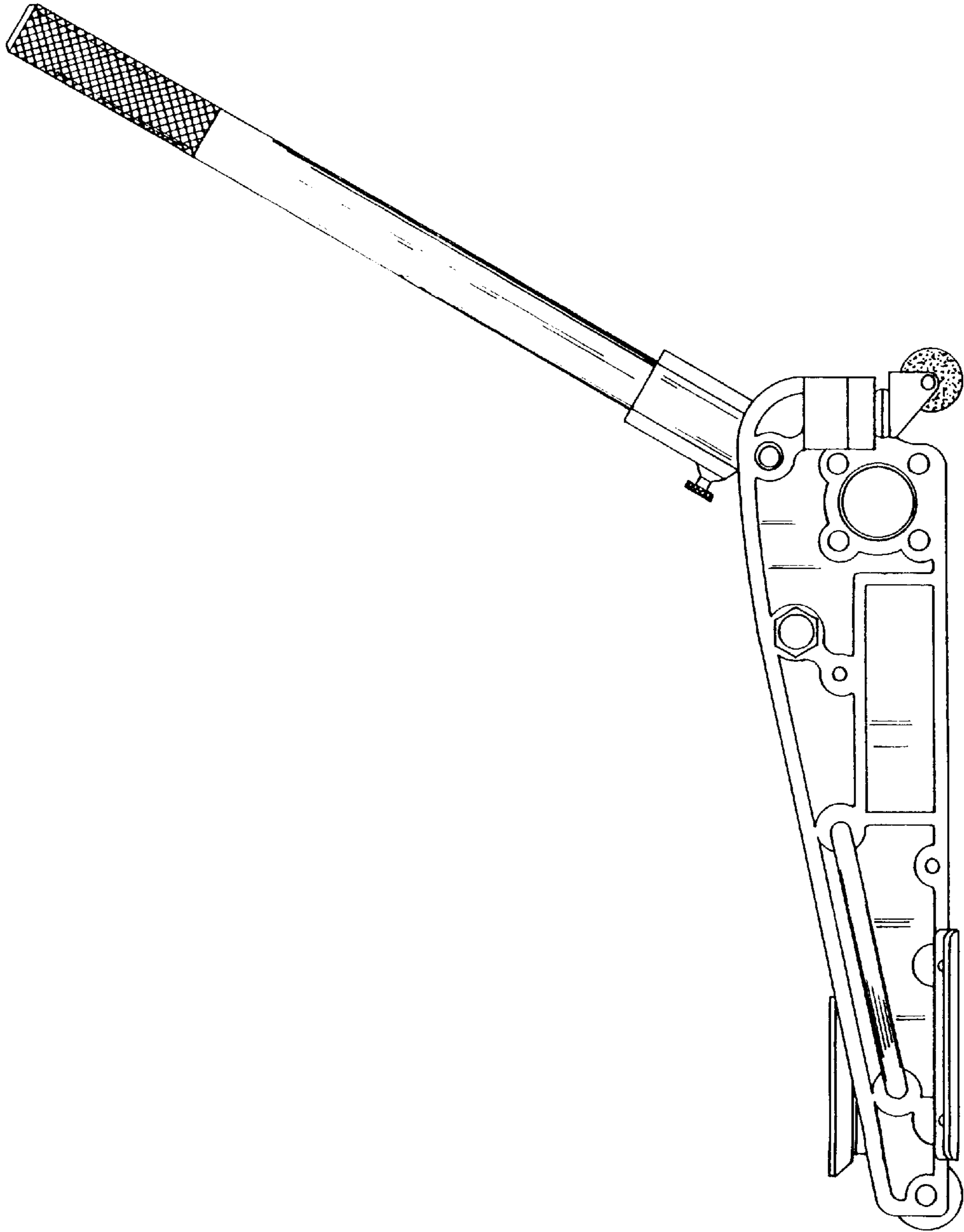


FIG. 5

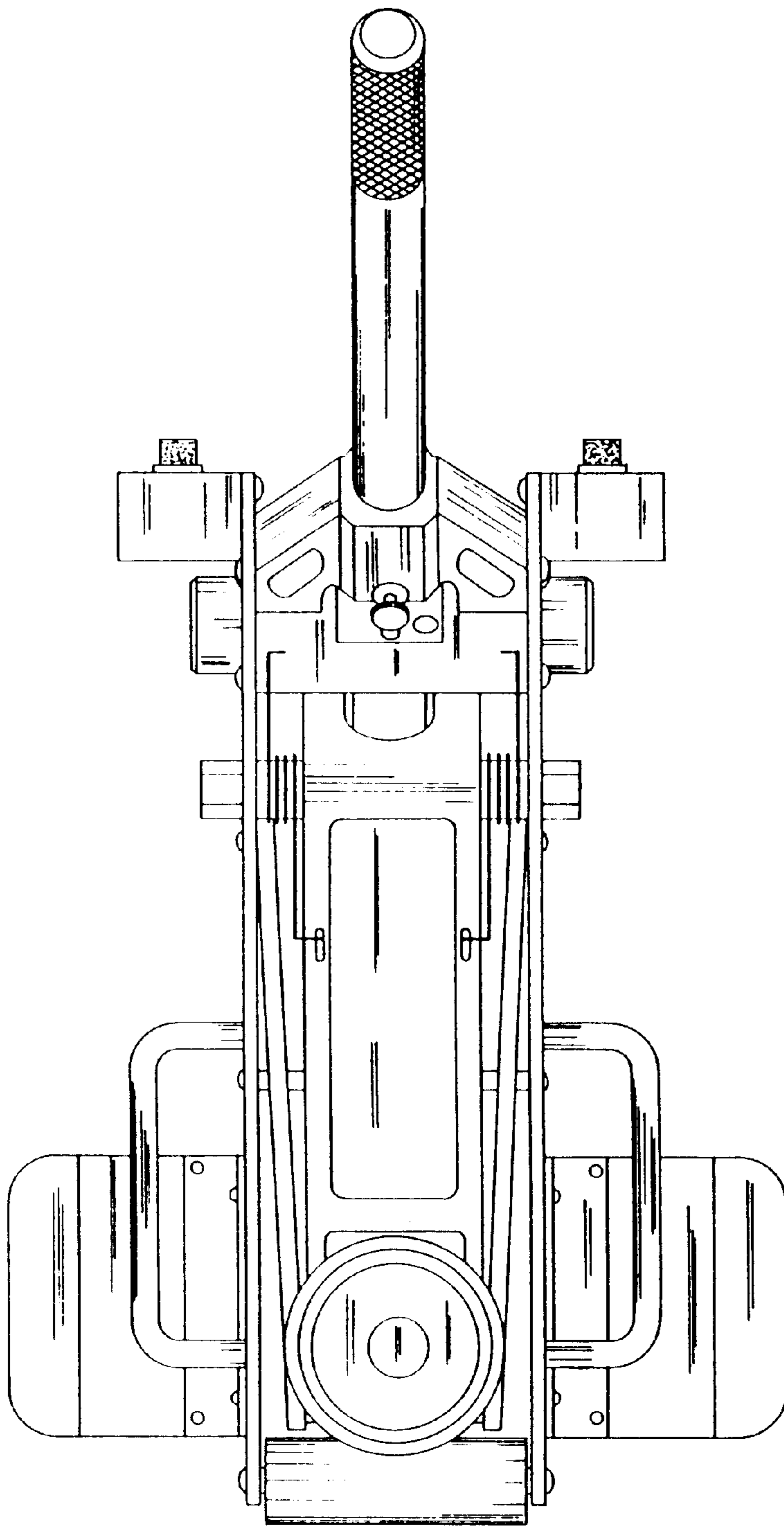


FIG. 6

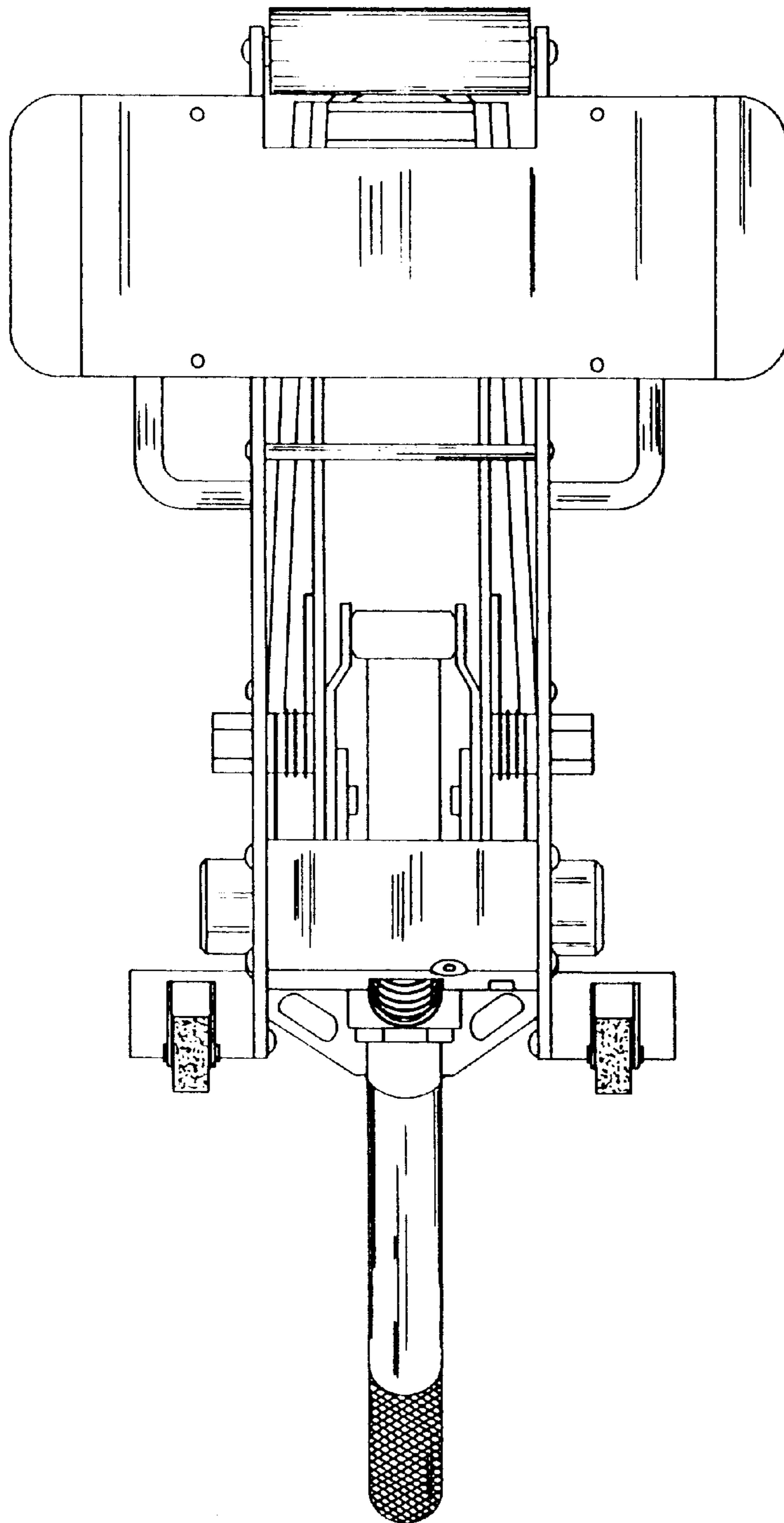


FIG.7