



US00D444605S

(12) **United States Design Patent**
Porter

(10) **Patent No.:** **US D444,605 S**

(45) **Date of Patent:** **** Jul. 3, 2001**

(54) **CART HANDLE**

(75) Inventor: **Terrill Porter**, Richmond, VA (US)

(73) Assignee: **Rehrig International**, Richmond, VA (US)

(**) Term: **14 Years**

(21) Appl. No.: **29/126,138**

(22) Filed: **Jul. 7, 2000**

(51) **LOC (7) Cl.** **12-02**

(52) **U.S. Cl.** **D34/27; D12/133; D8/303**

(58) **Field of Search** **D34/12-27; D12/133; D8/107, 303, DIG. 7; 16/421, 422, 425, 426; 280/DIG. 6, 652**

(56) **References Cited**

U.S. PATENT DOCUMENTS

D. 407,672	*	4/1999	Wells	D12/133
4,617,697	*	10/1986	David	16/421
4,811,968	*	3/1989	Bolden	280/652

* cited by examiner

Primary Examiner—Kay H. Chin

(74) *Attorney, Agent, or Firm*—McGuire Woods LLP

(57) **CLAIM**

The ornamental design for a cart handle, as shown and described.

DESCRIPTION

FIG. 1 is a top perspective view of a cart handle showing my new design, the broken lines are for illustrative purposes only and form no part of the claimed design;

FIG. 2 is a top plan view of the cart handle shown in FIG. 1.

FIG. 3 is a bottom plan view of the cart handle shown in FIG. 1.

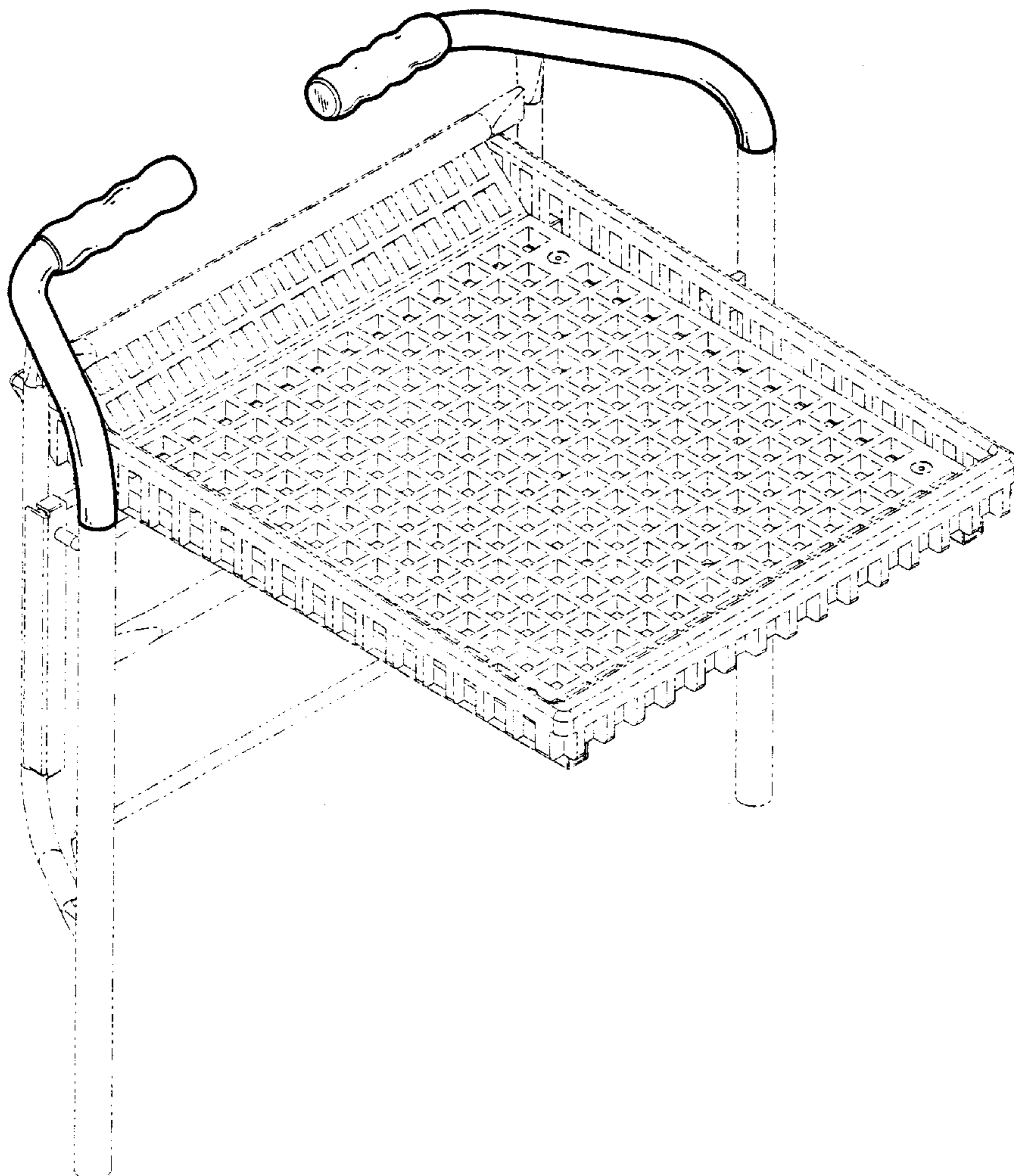
FIG. 4 is a front view of the cart handle shown in FIG. 1.

FIG. 5 is a rear view of the cart handle shown in FIG. 1.

FIG. 6 is a right side view of the cart handle shown in FIG. 1; and,

FIG. 7 is a left side view of the cart handle shown in FIG. 1.

1 Claim, 5 Drawing Sheets



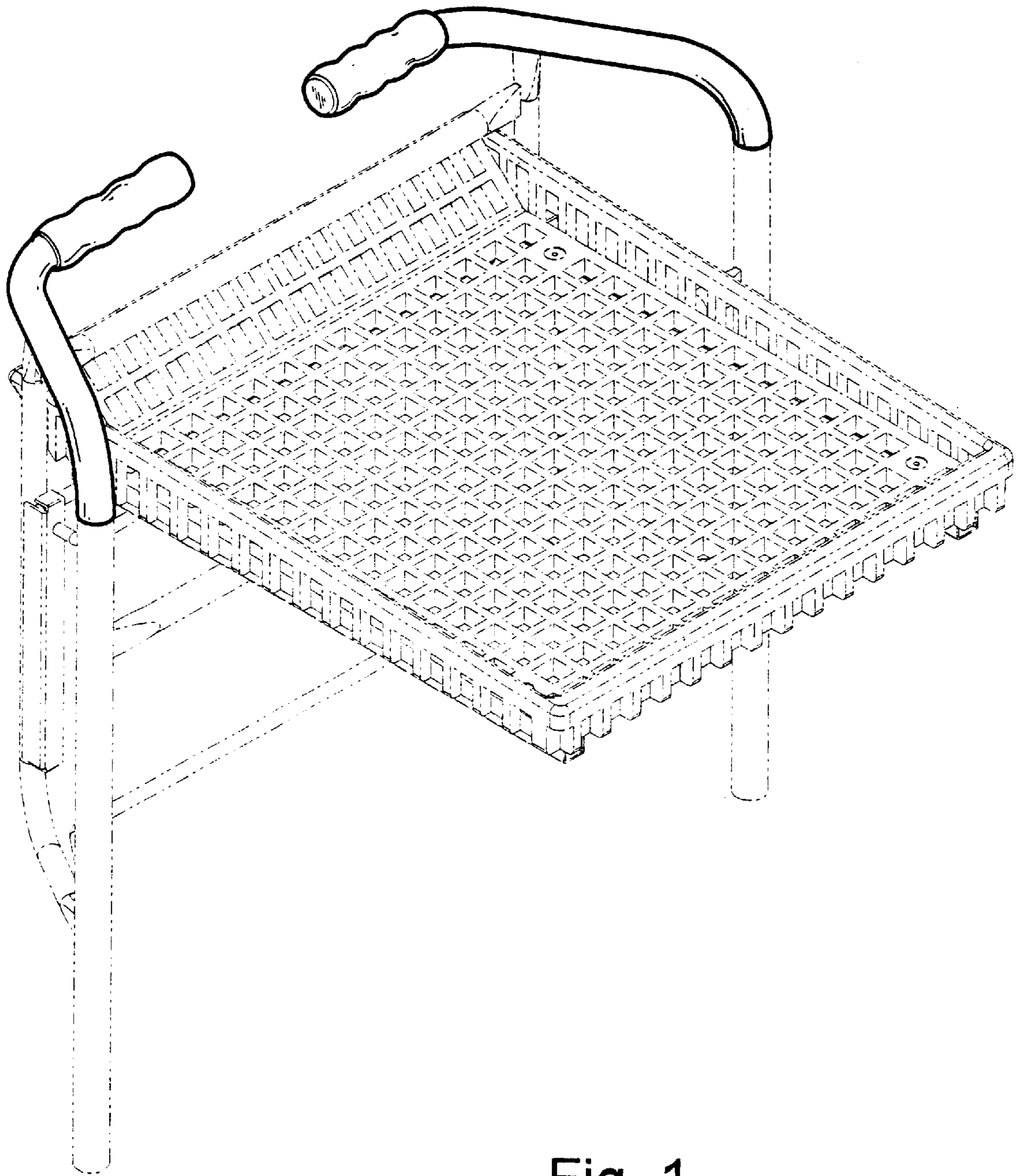


Fig. 1

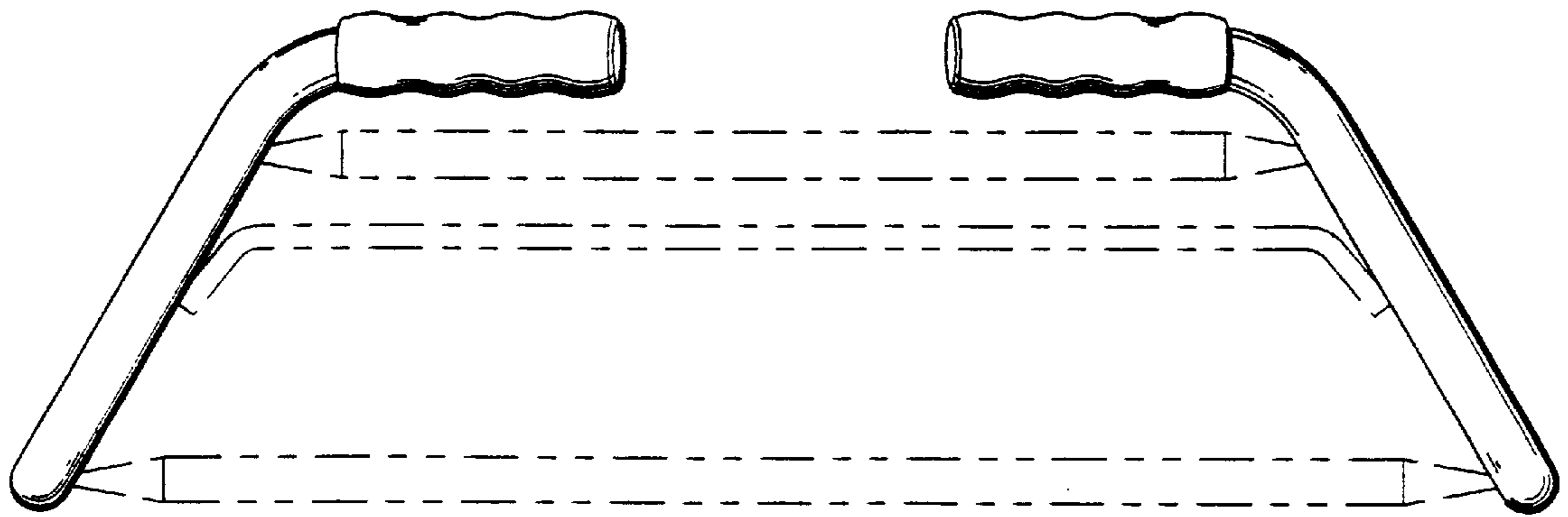


Fig. 2

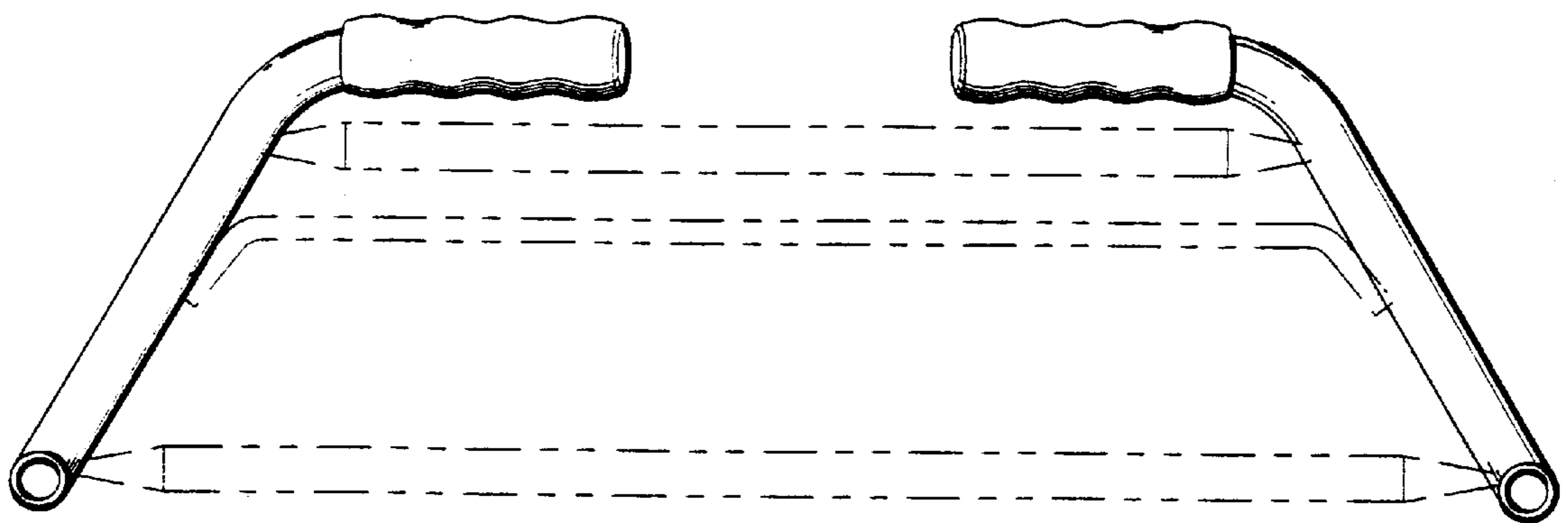


Fig. 3

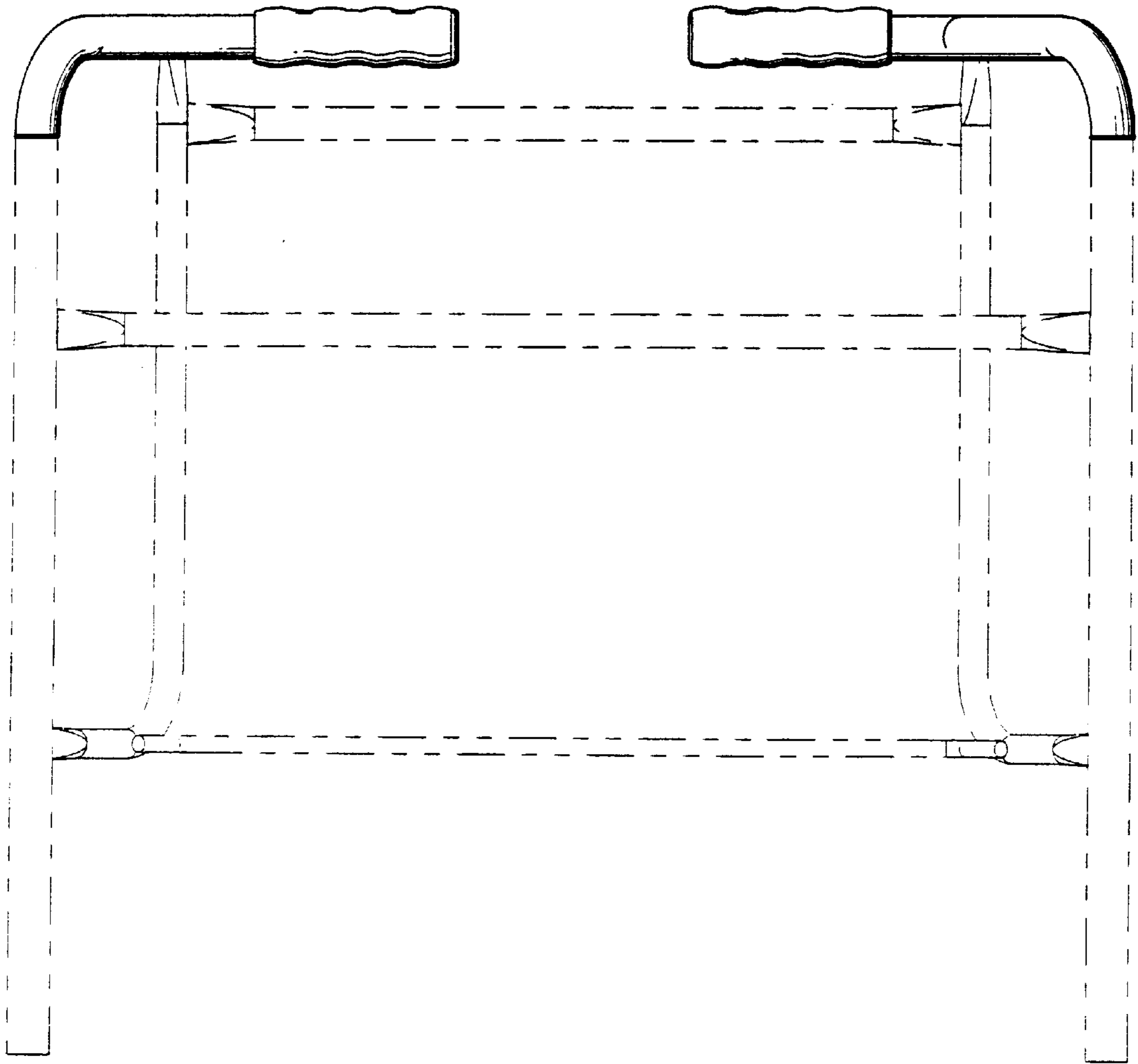


Fig. 4

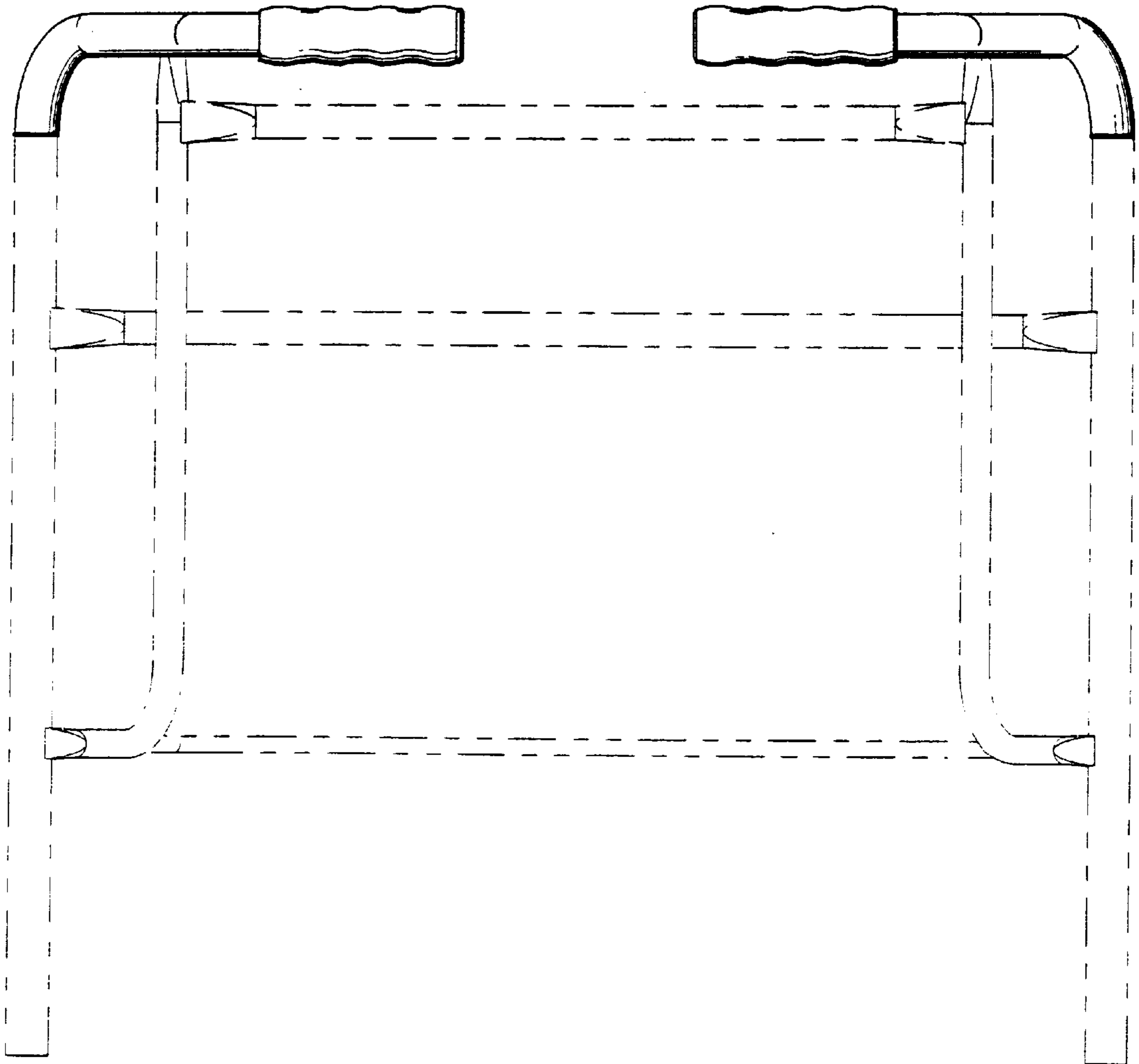


Fig. 5

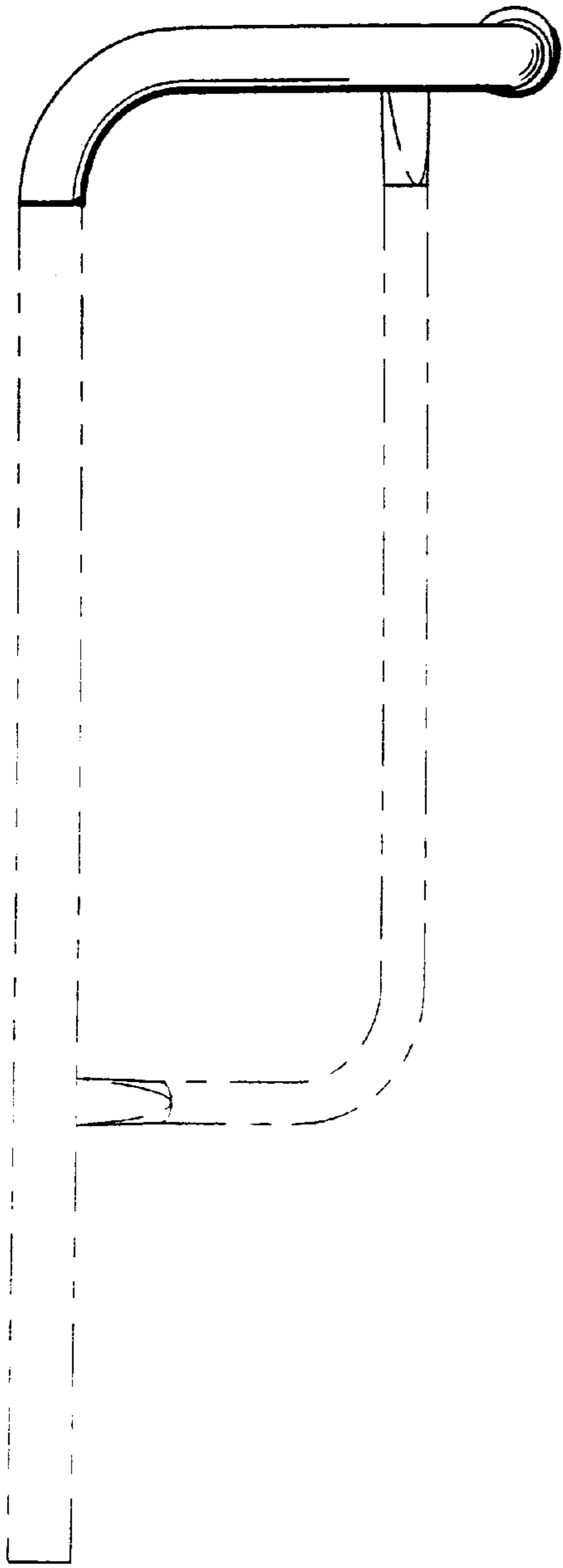


Fig. 6

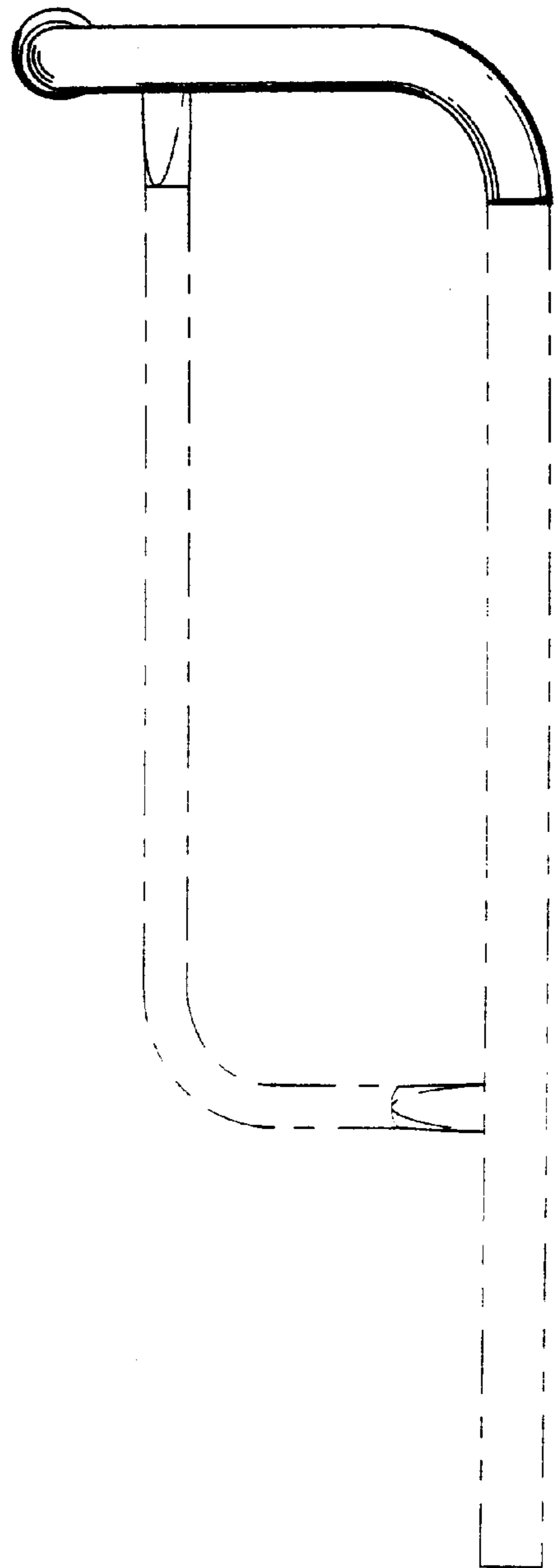


Fig. 7