



US00D444604S

(12) **United States Design Patent**
Hoffert et al.

(10) **Patent No.:** **US D444,604 S**

(45) **Date of Patent:** **** Jul. 3, 2001**

(54) **PAINT TRAY WITH STORABLE CARRYING HANDLES**

(76) Inventors: **Garrett P. Hoffert**, 1659 Riverside Dr., Akron, OH (US) 44310; **Kyle S. Burns**, 1221 W. Turkeyfoot Lake Rd., Barberton, OH (US) 44203

(**) Term: **14 Years**

(21) Appl. No.: **29/128,548**

(22) Filed: **Aug. 25, 2000**

(51) **LOC (7) Cl.** **07-07**

(52) **U.S. Cl.** **D32/53.1**

(58) **Field of Search** D32/53, 53.1, D32/54; 220/570; 15/257.01, 257.05, 257.06

(56) **References Cited**

U.S. PATENT DOCUMENTS

D. 297,676	*	9/1988	Ross et al.	D32/53.1
D. 383,579	*	9/1997	Samson	D32/53.1
4,023,702	*	5/1977	McKnight	220/570
4,085,877	*	4/1978	Hildebrand	220/570
4,205,411	*	6/1980	Cupp et al.	15/257.06
5,509,169	*	4/1996	Drucker	15/257.06

* cited by examiner

Primary Examiner—Robin V. Taylor

(74) *Attorney, Agent, or Firm*—John D. Gugliotta

(57) **CLAIM**

The ornamental design for a paint tray with storable carrying handle, as shown and described.

DESCRIPTION

FIG. 1 is a top, front perspective view of a paint tray with storable carrying handles shown herein with handles in a retractable position;

FIG. 2 is a bottom, rear perspective view thereof;

FIG. 3 is a top plan view thereof;

FIG. 4 is a bottom plan view thereof;

FIG. 5 is a front elevational view thereof;

FIG. 6 is a rear elevational view thereof;

FIG. 7 is a left side elevational view thereof, the opposite side being a mirror image;

FIG. 8 is a top, front perspective view with handles in upright position;

FIG. 9 is a bottom, rear perspective view thereof;

FIG. 10 is a top plan view thereof;

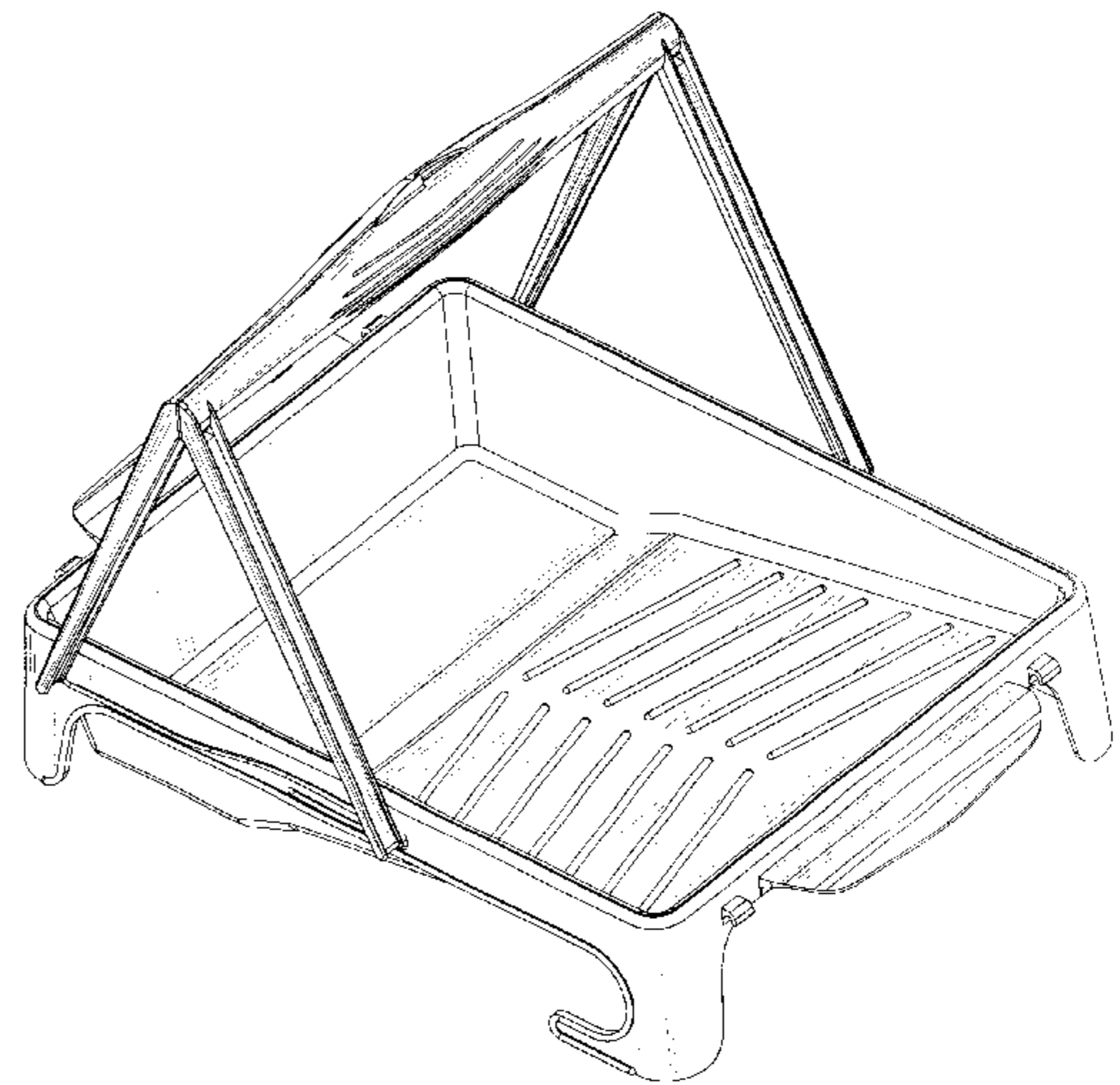
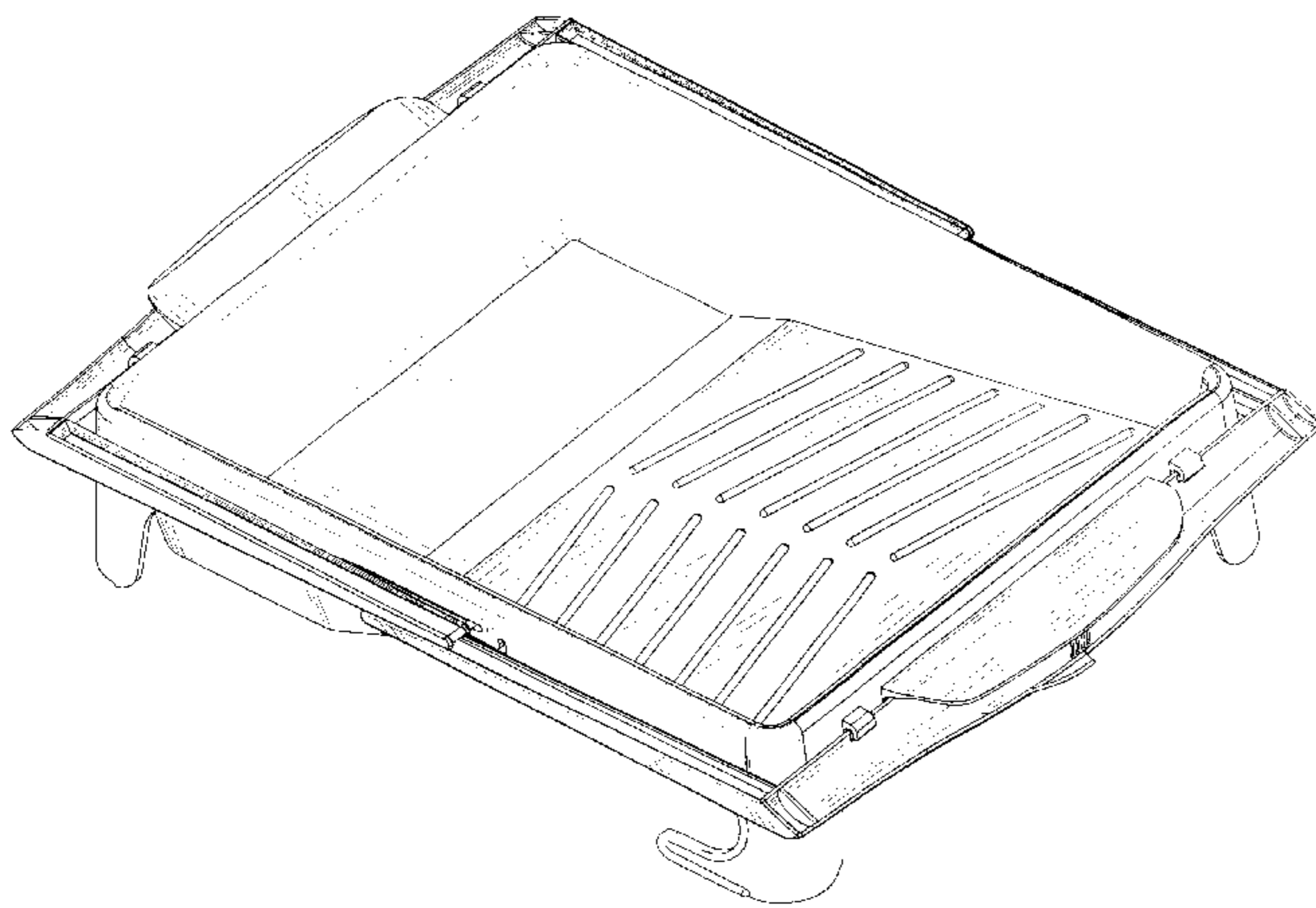
FIG. 11 is a bottom plan view thereof;

FIG. 12 is a front elevational view thereof;

FIG. 13 is a rear elevational view; and,

FIG. 14 is a left side elevational view thereof, the opposite side being a mirror image thereof.

1 Claim, 9 Drawing Sheets



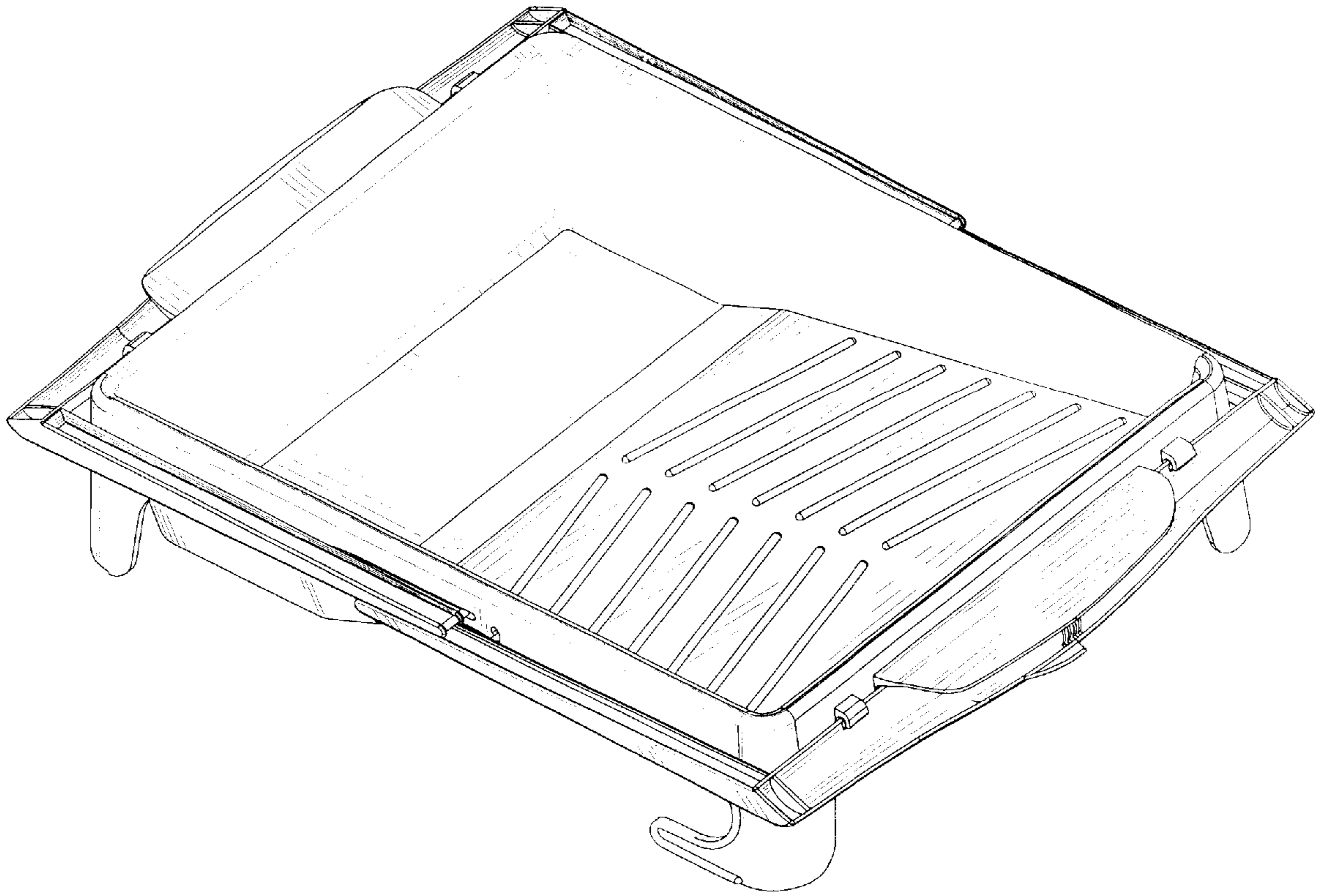


Figure 1

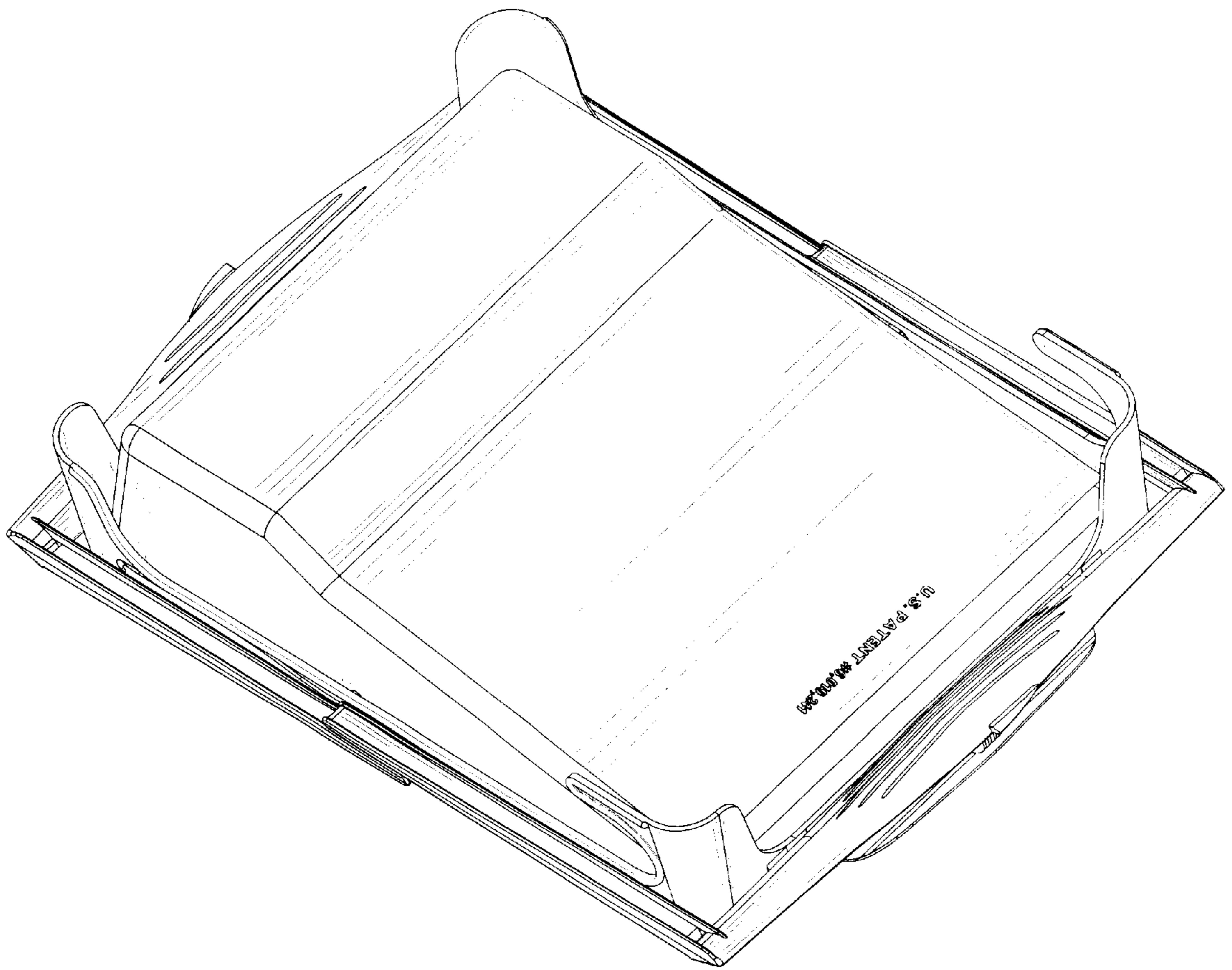


Figure 2

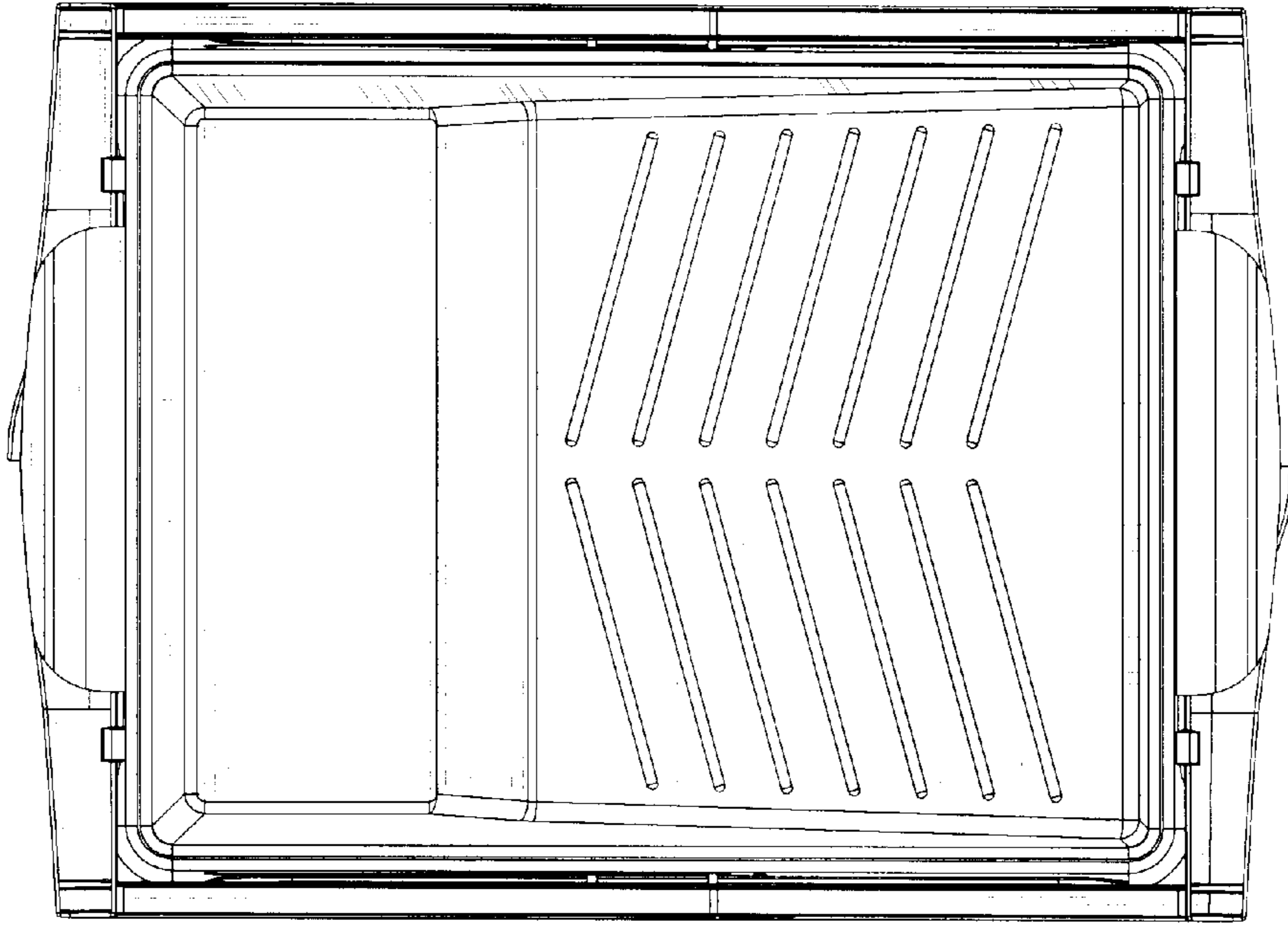


Figure 3

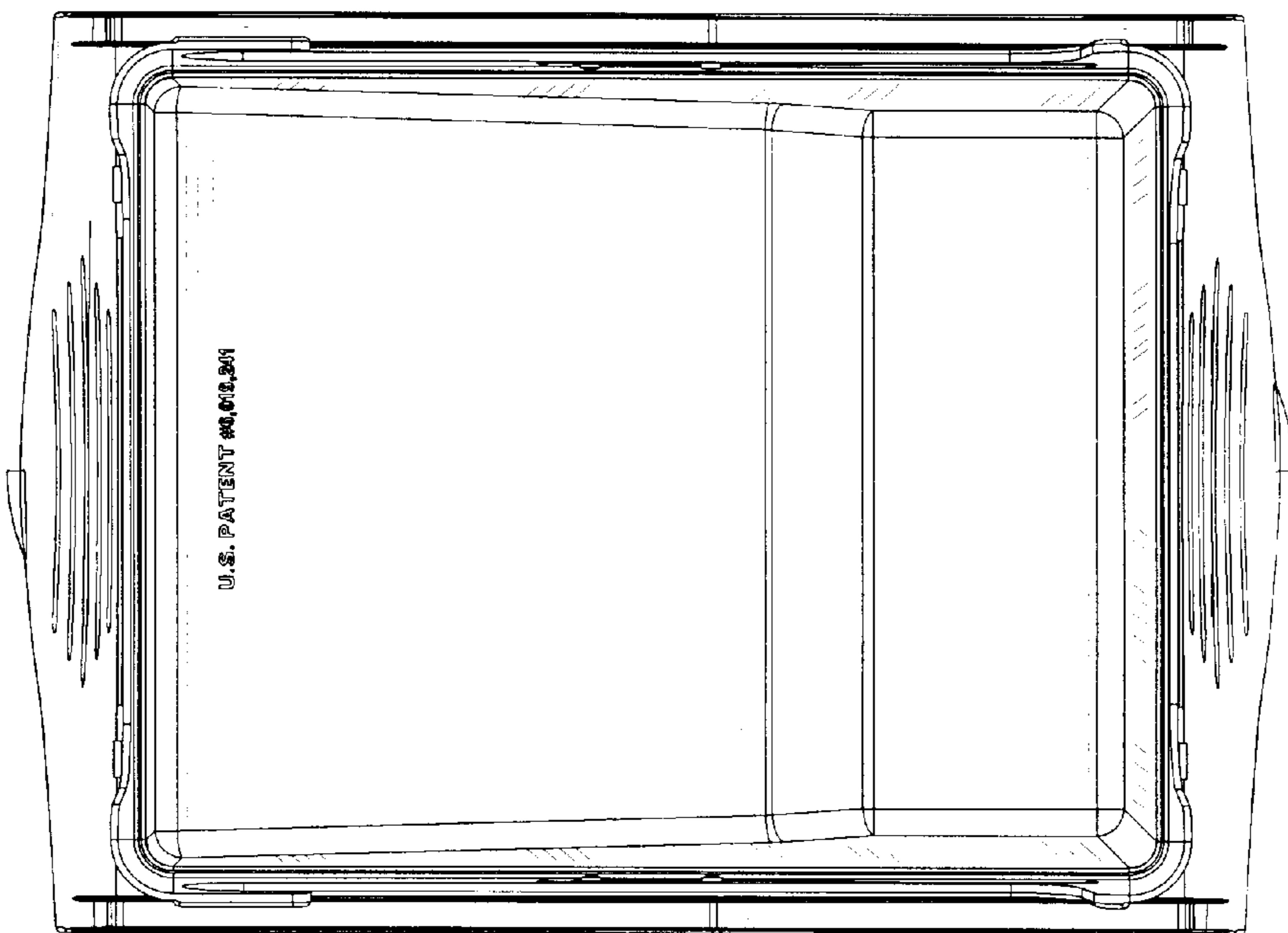


Figure 4

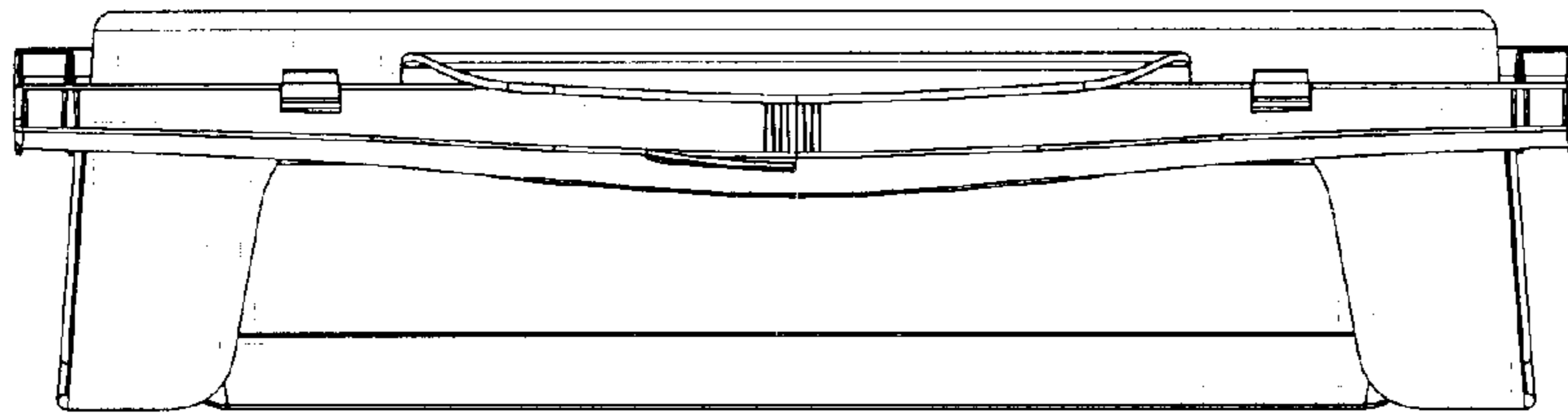


Figure 5

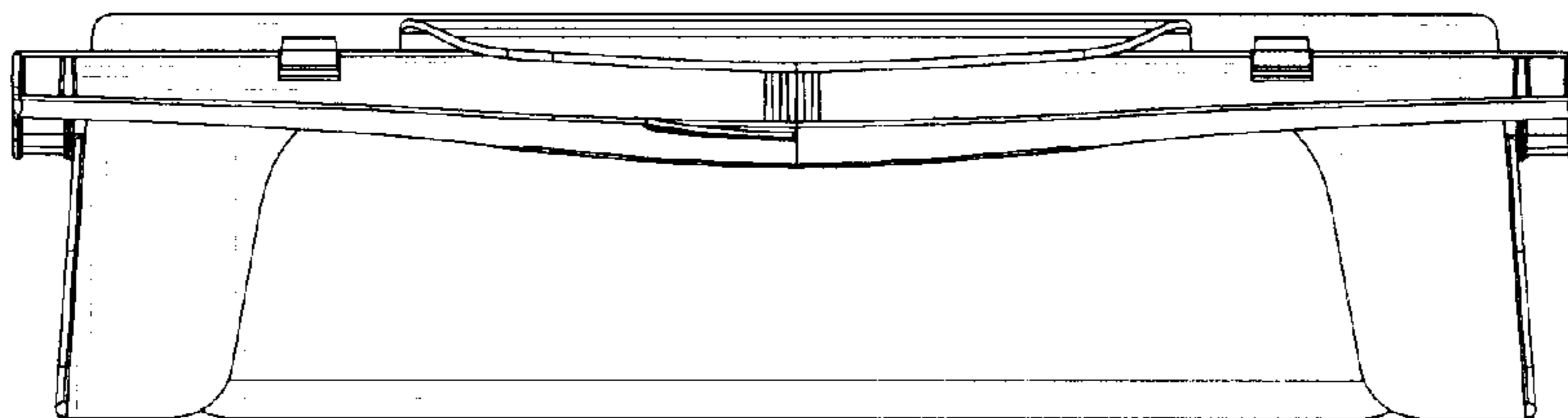


Figure 6

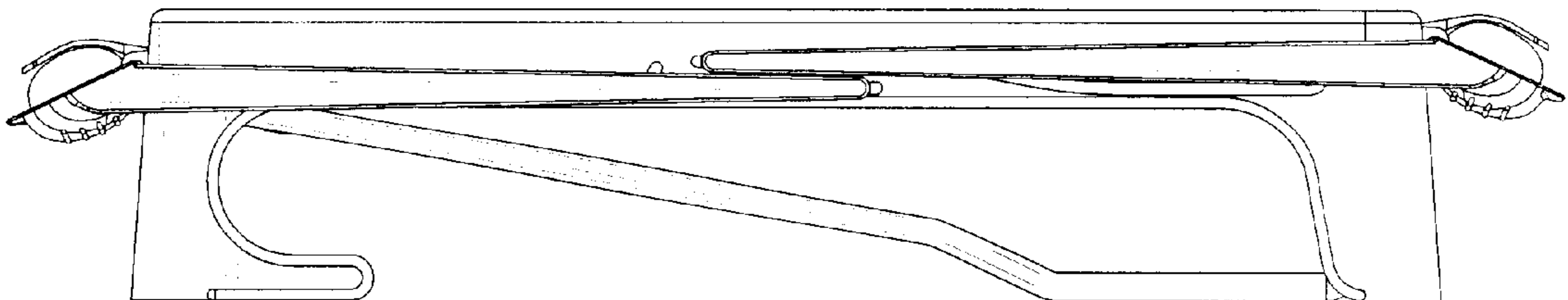


Figure 7

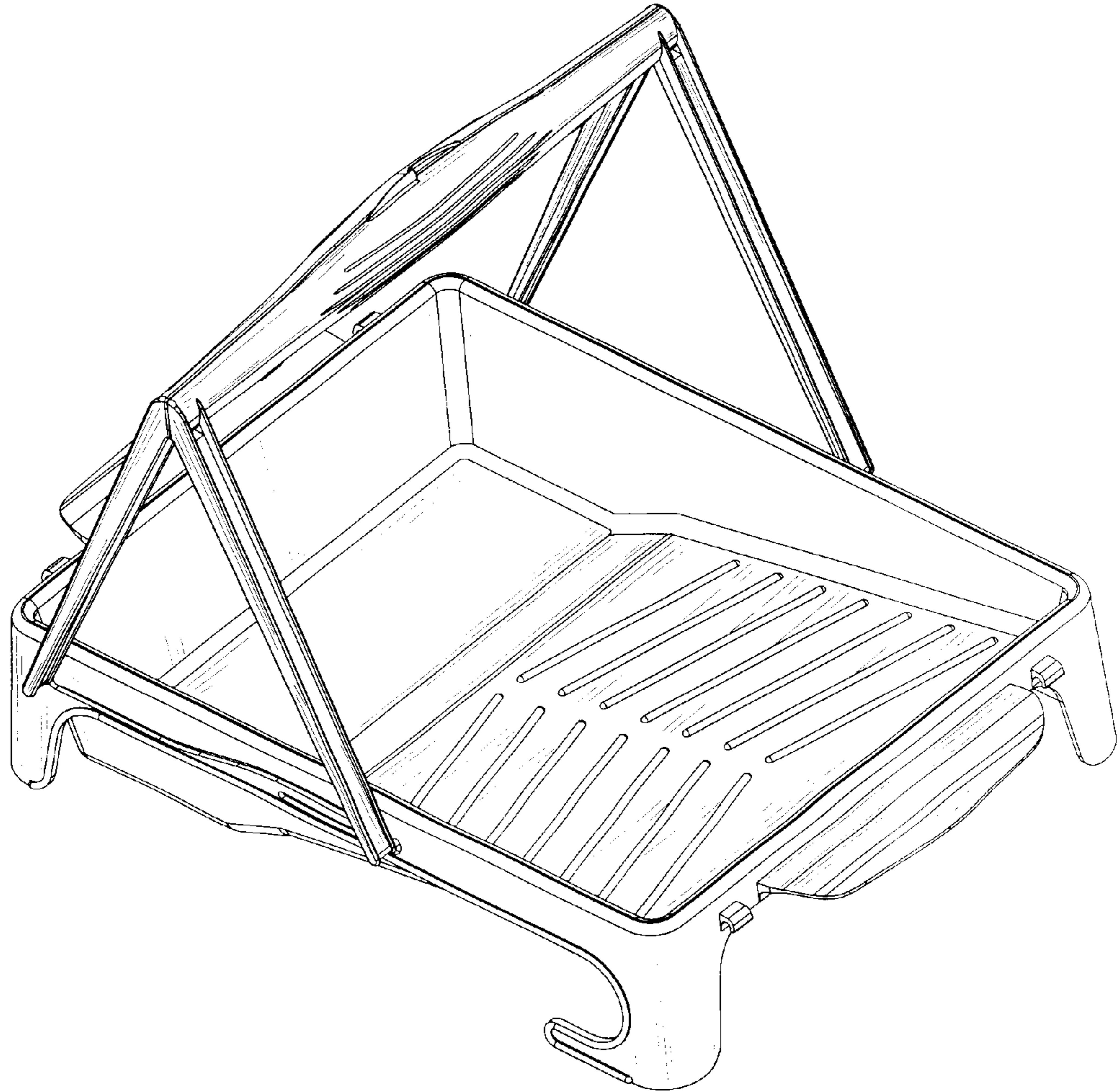


Figure 8

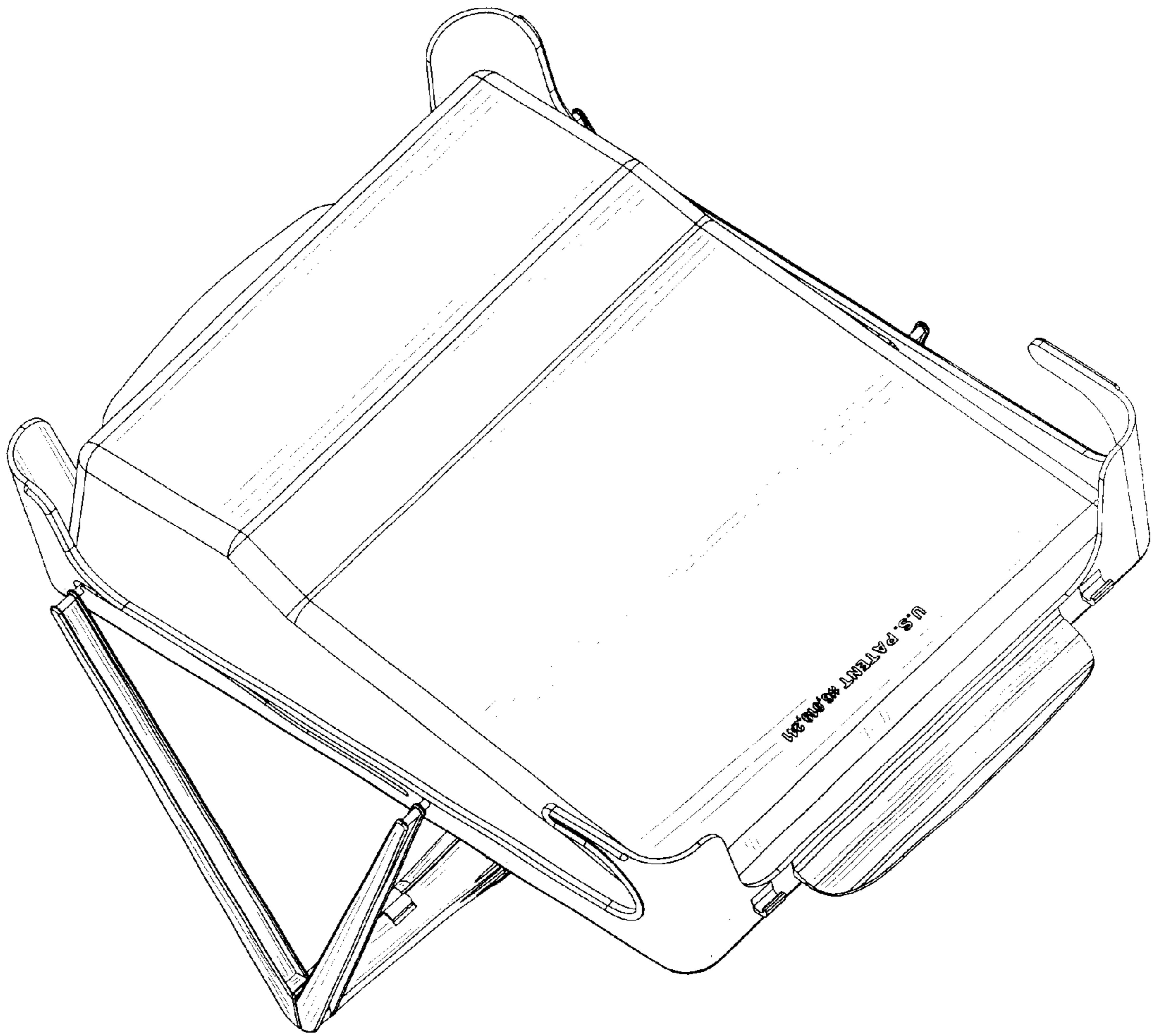


Figure 9

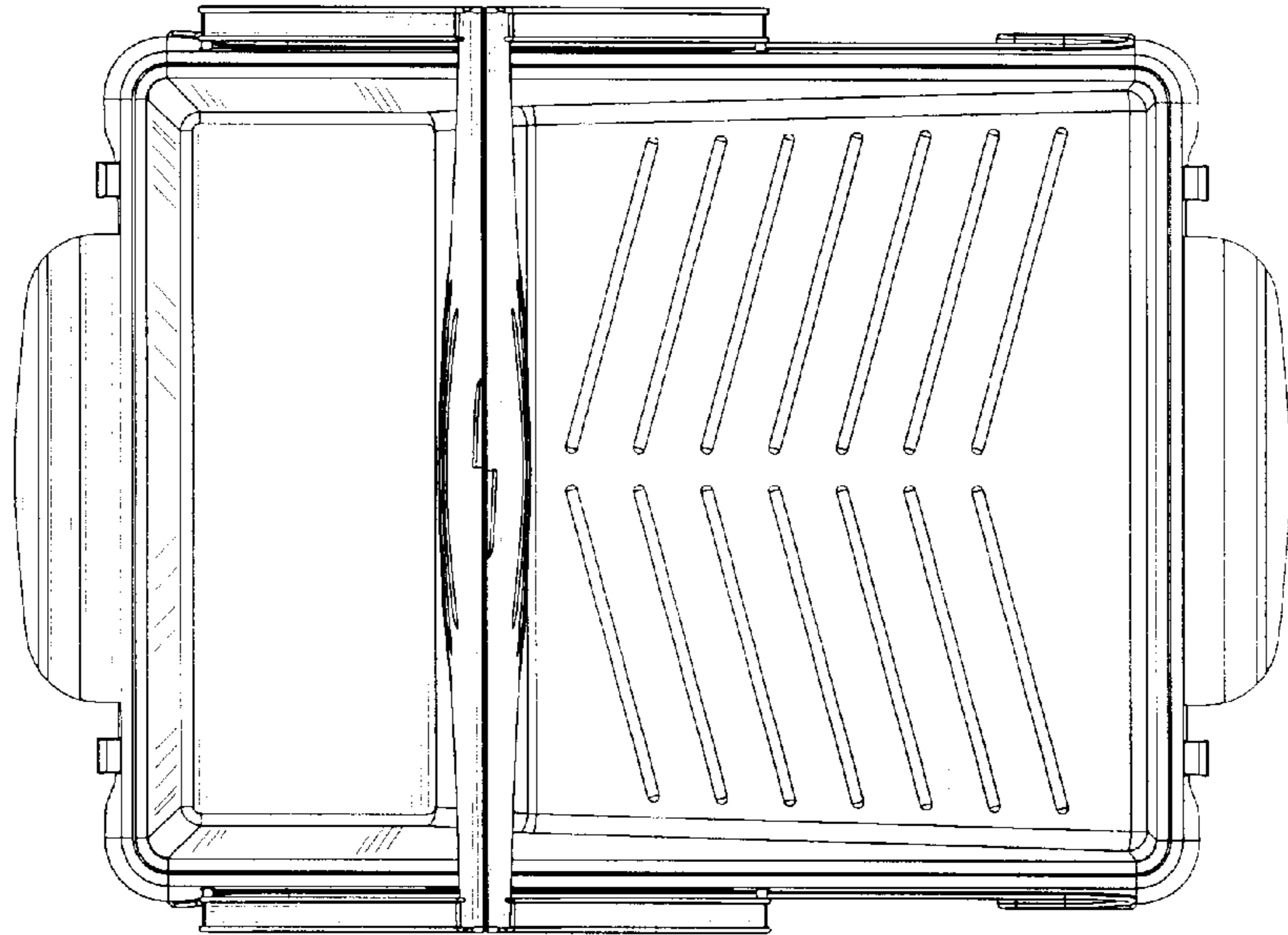


Figure 10

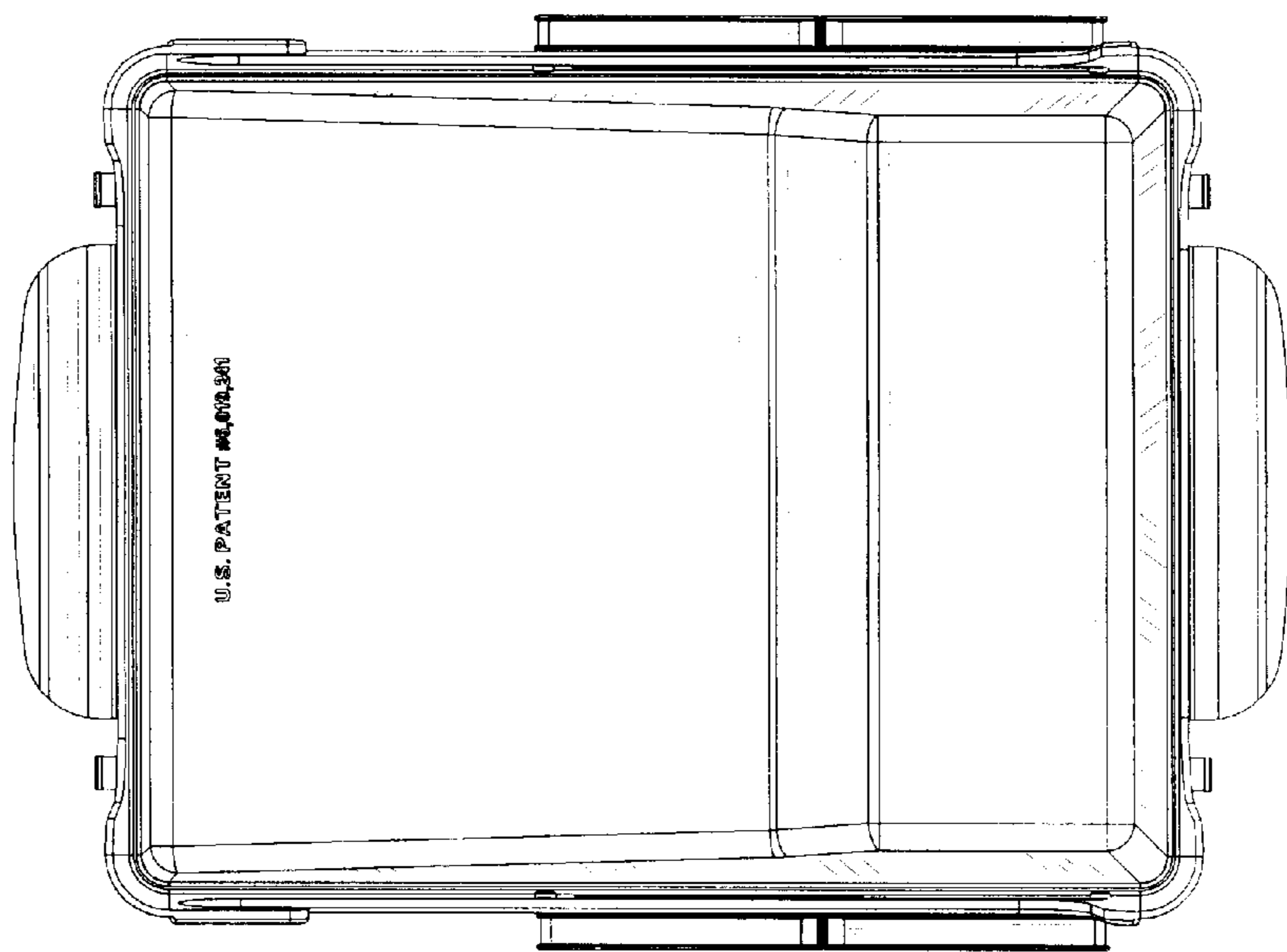


Figure 11

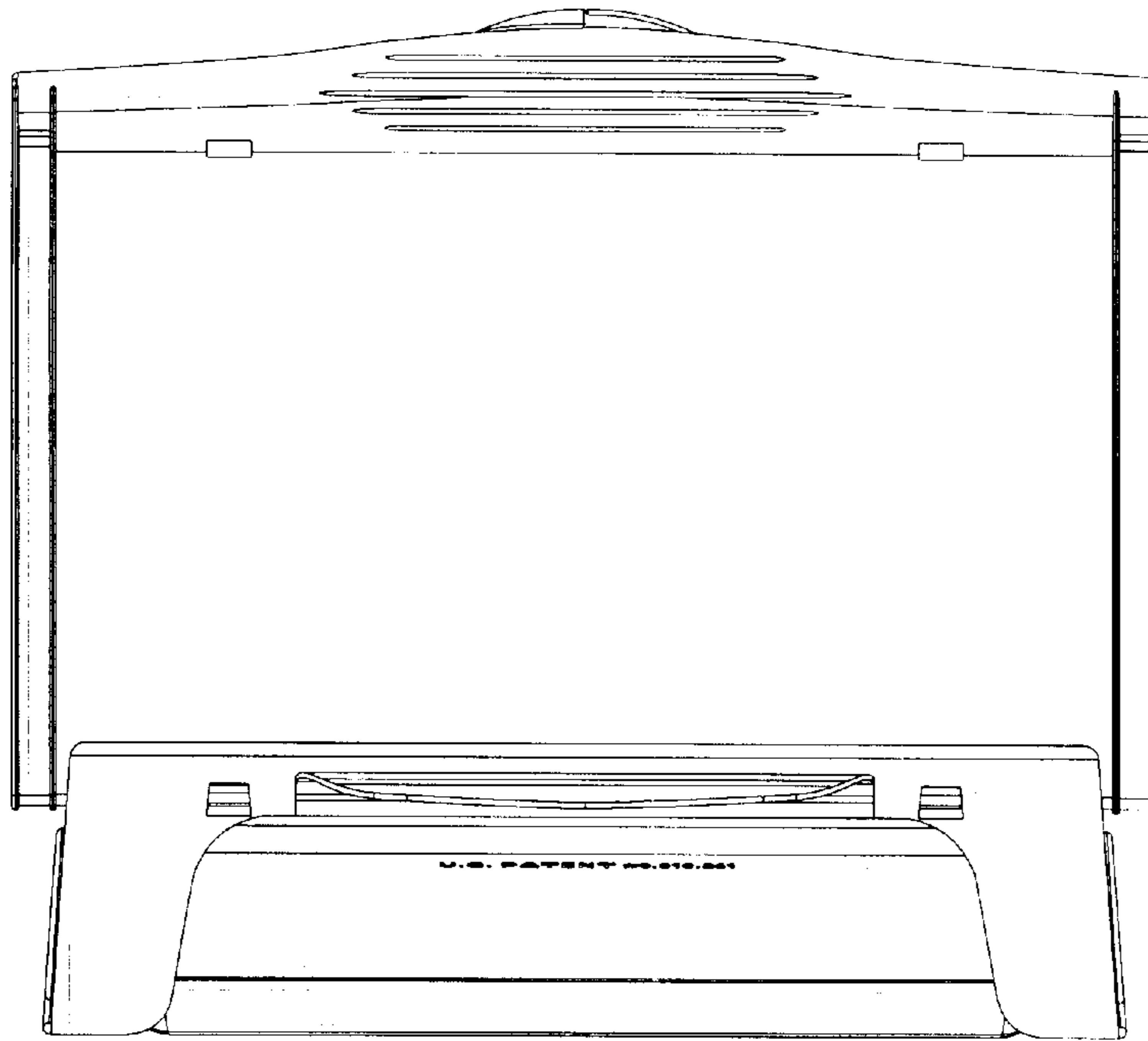


Figure 12

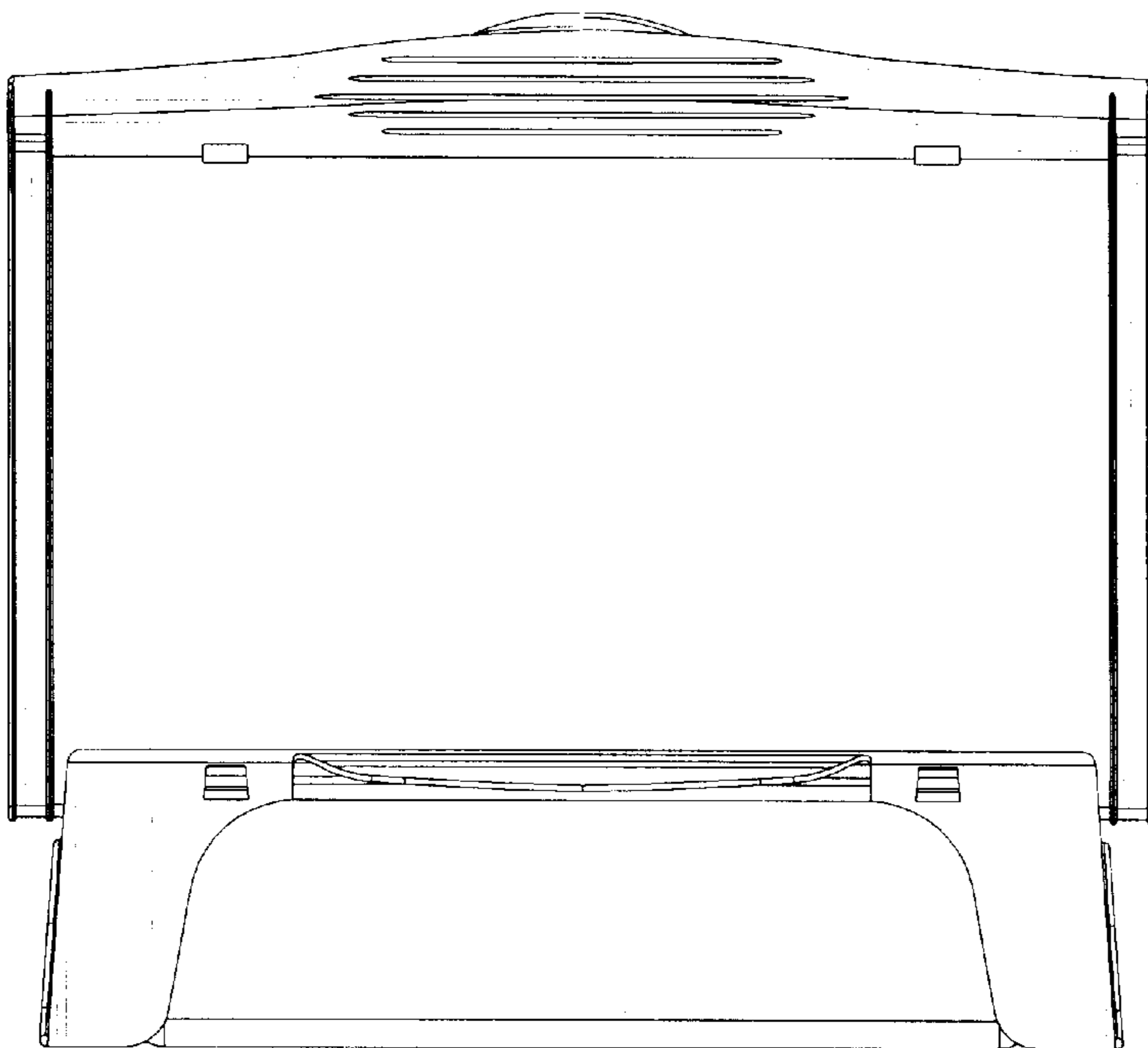


Figure 13

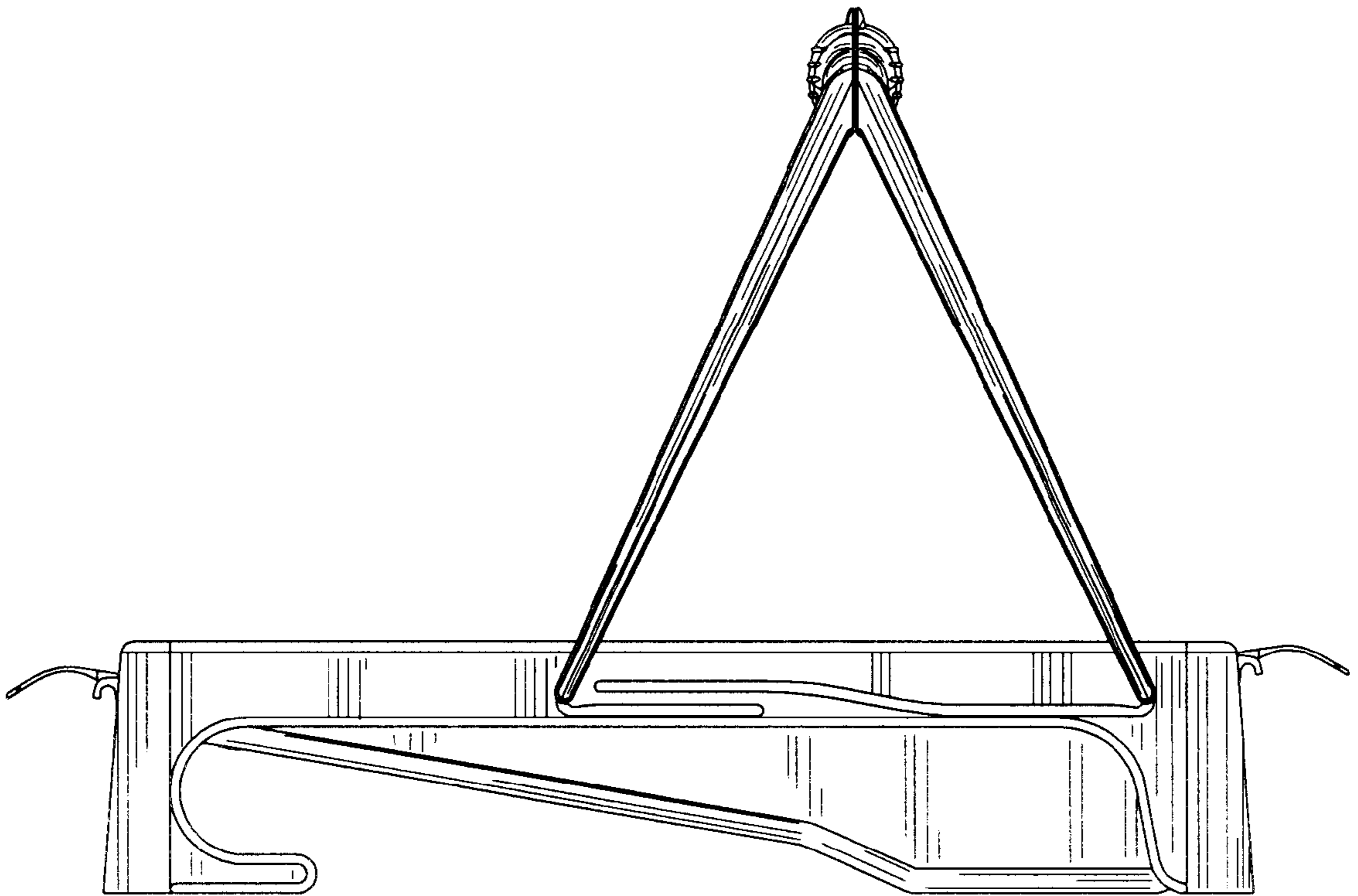


Figure 14