



US00D444603S

(12) **United States Design Patent**
Murphy et al.

(10) **Patent No.:** **US D444,603 S**

(45) **Date of Patent:** **** Jul. 3, 2001**

(54) **TOOL HOLDER FOR VACUUM CLEANER WAND**

5,079,802	*	1/1992	Blase et al.	24/16 R
5,142,731	*	9/1992	Resch	15/339
5,732,438		3/1998	Tuvin et al.	15/323
6,058,558	*	5/2000	Kim	15/323

(75) **Inventors:** **John S. Murphy**, Brookpark; **David Dinunzio**, Mentor; **David J. Boll**, Lakewood; **Jeffrey M. Kalman**, Cleveland Heights; **Craig M. Saunders**, Rocky River, all of OH (US)

FOREIGN PATENT DOCUMENTS

G 8809157.0 11/1989 (DE) .

(73) **Assignee:** **Royal Appliance Mfg. Co.**, Glenwillow, OH (US)

OTHER PUBLICATIONS

Known Kenmore wand clip for holding nozzles (3 photographs). (prior to the filing date of this application).

(**) **Term:** **14 Years**

* cited by examiner

(21) **Appl. No.:** **29/130,779**

Primary Examiner—Ruth McInroy

(22) **Filed:** **Oct. 6, 2000**

(74) *Attorney, Agent, or Firm*—Fay, Sharpe, Fagan, Minnich & McKee, LLP

(51) **LOC (7) Cl.** **15-05**

(52) **U.S. Cl.** **D32/31**

(58) **Field of Search** D32/17, 18, 25, D32/31; D13/108; D8/373; 15/320, 344, 353, DIG. 1, 323, 339, 327.1; 320/115, 2; 339/119 C

(57) **CLAIM**

The ornamental design for a tool holder for vacuum cleaner wand, as shown.

(56) **References Cited**

DESCRIPTION

U.S. PATENT DOCUMENTS

D. 188,238	*	6/1960	Blum	D8/373
D. 361,415	*	8/1995	Knight	D32/31
D. 429,044	*	8/2000	Saunders et al.	D32/34
3,872,538	*	3/1975	Crouser	15/323
4,407,472	*	10/1983	Beck	248/89
4,697,299	*	10/1987	Brinkhoff et al.	15/323
4,837,899	*	6/1989	Young	24/16 R

FIG. 1 is a perspective view of a tool holder for vacuum cleaner wand showing our new design; FIG. 2 is a front elevational view thereof, with the rear elevational view being a mirror image thereof; FIG. 3 is a top plan view thereof; FIG. 4 is a left side elevational view thereof; FIG. 5 is a right side elevational view thereof; and, FIG. 6 is a bottom plan view thereof.

1 Claim, 3 Drawing Sheets

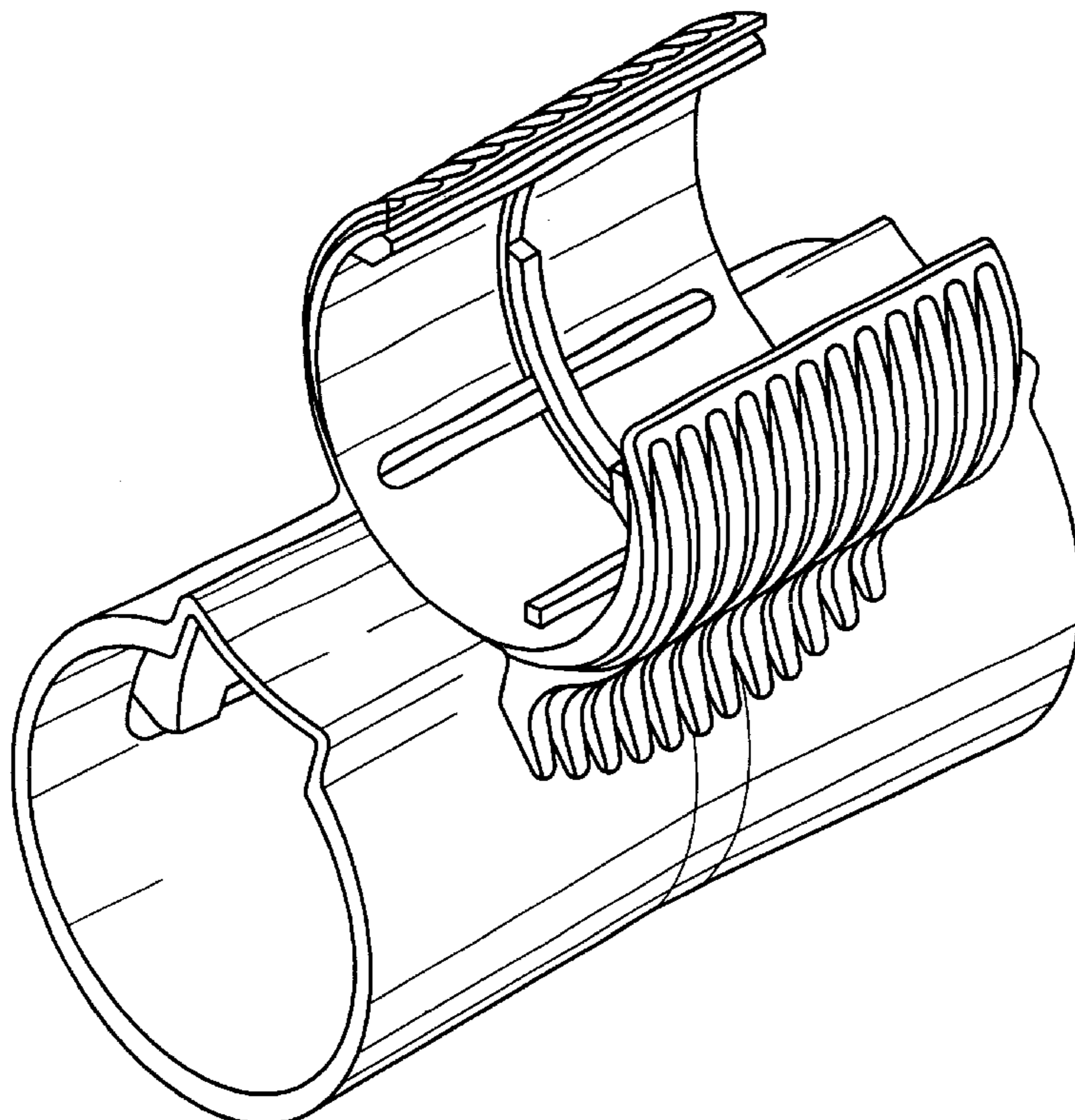


FIG. 1

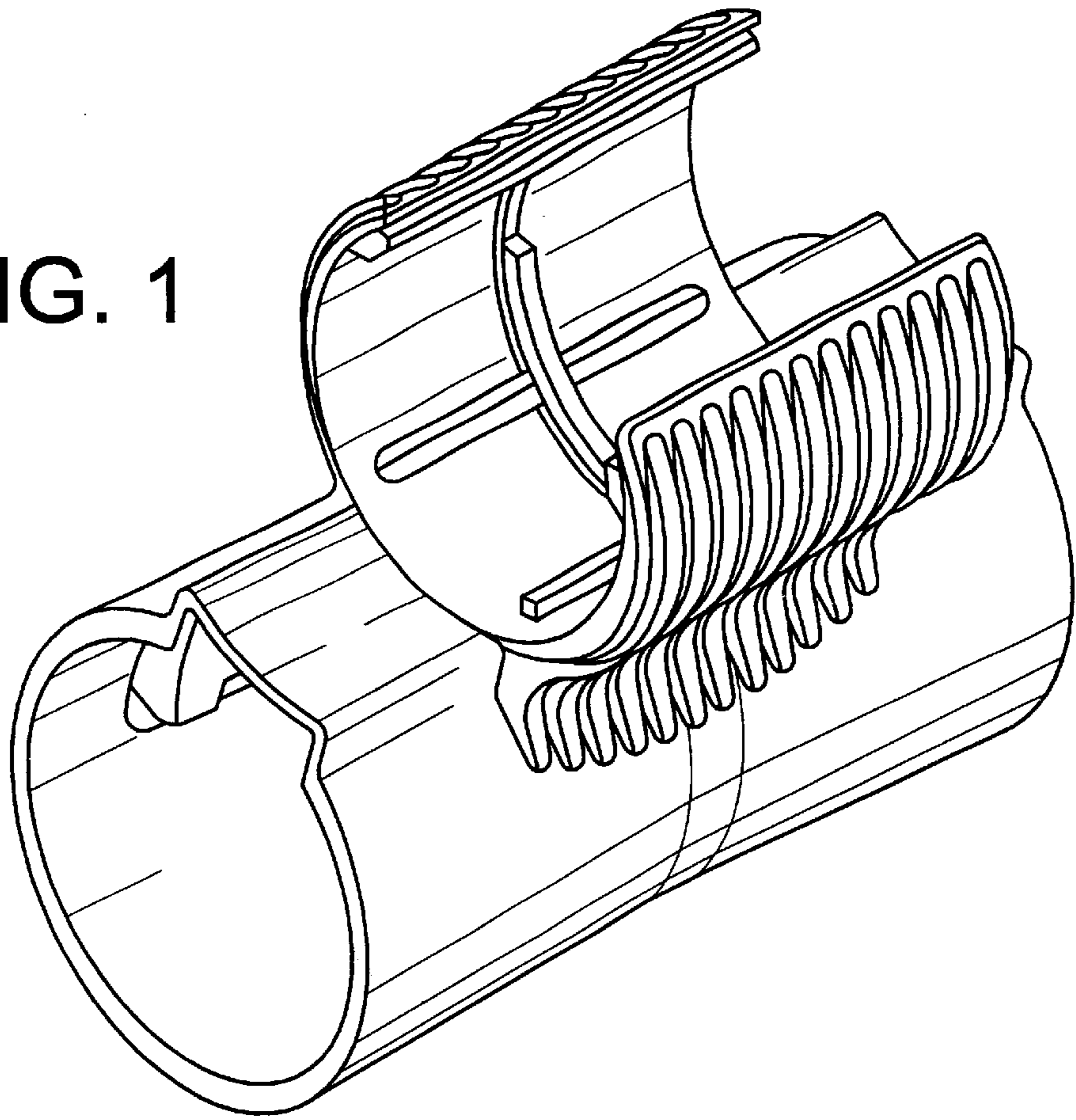
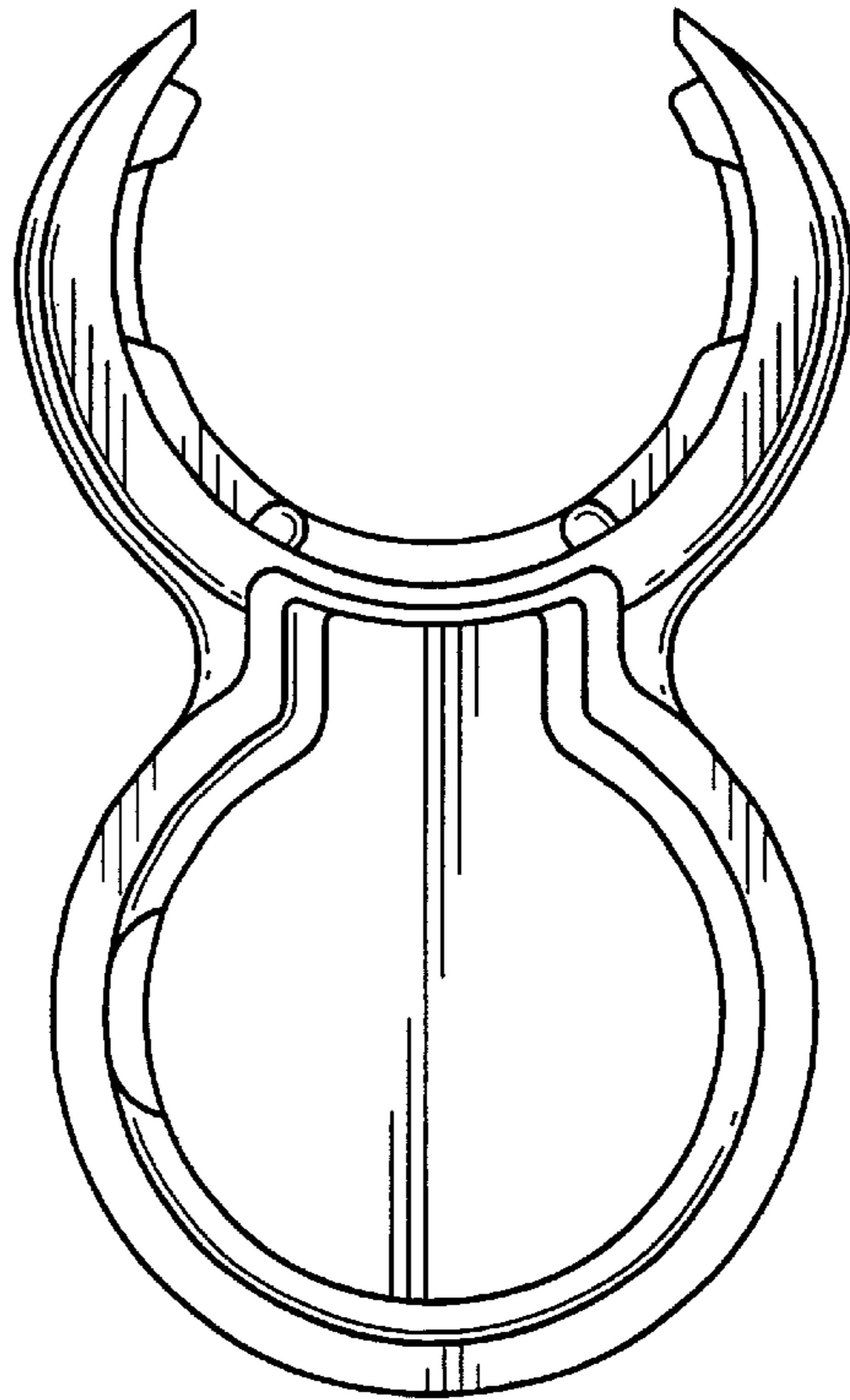


FIG. 2



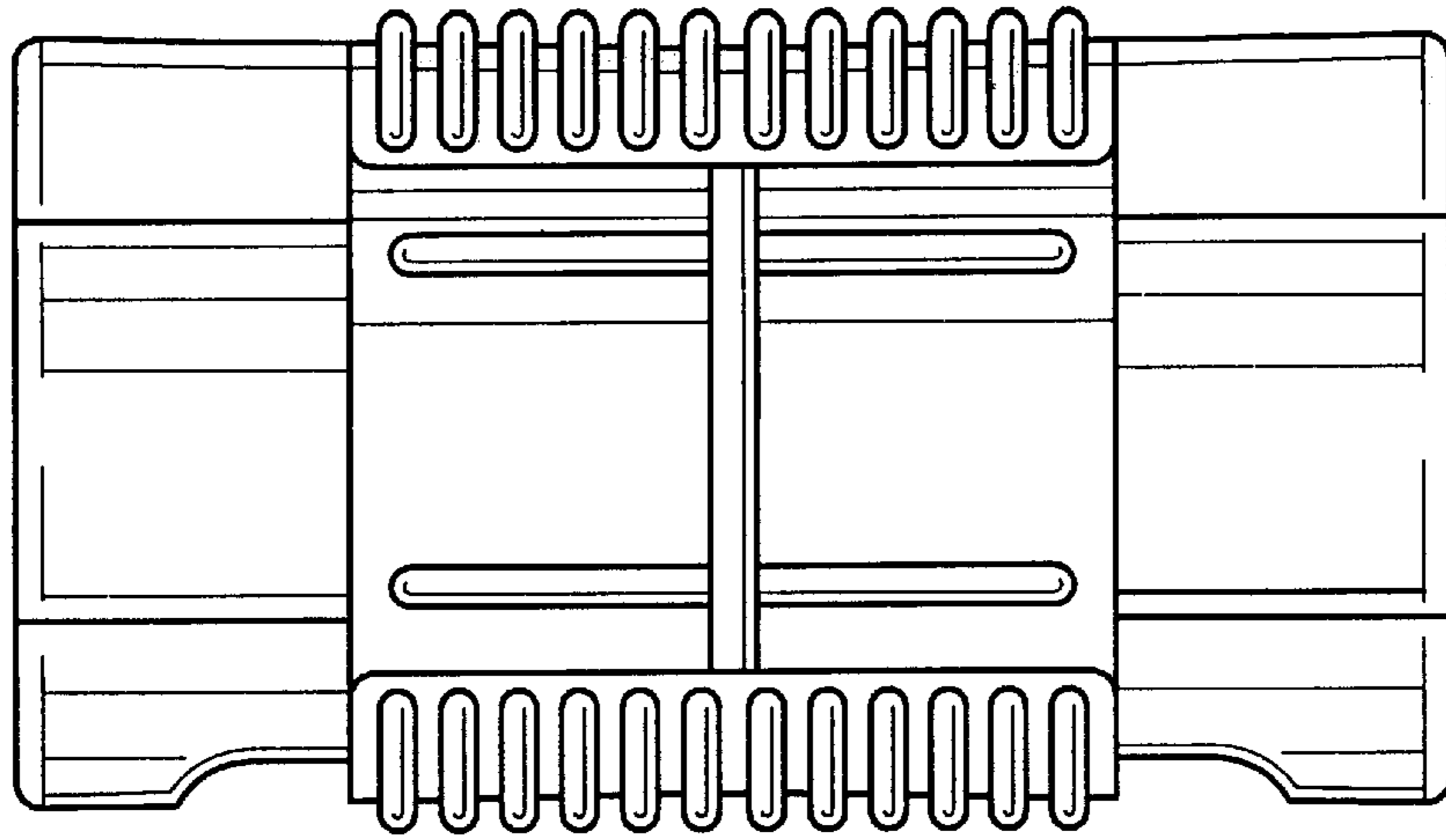


FIG. 3

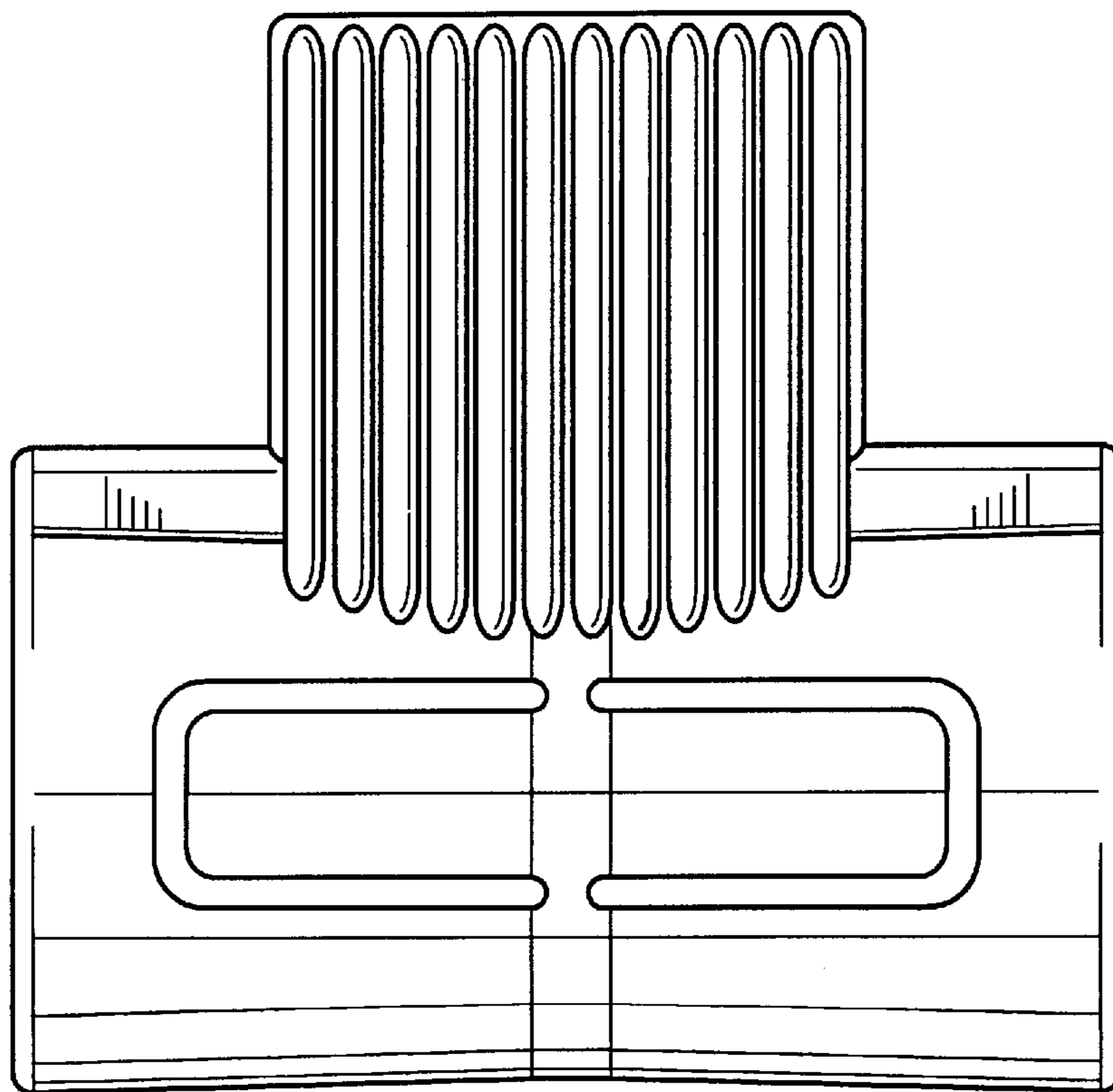


FIG. 4

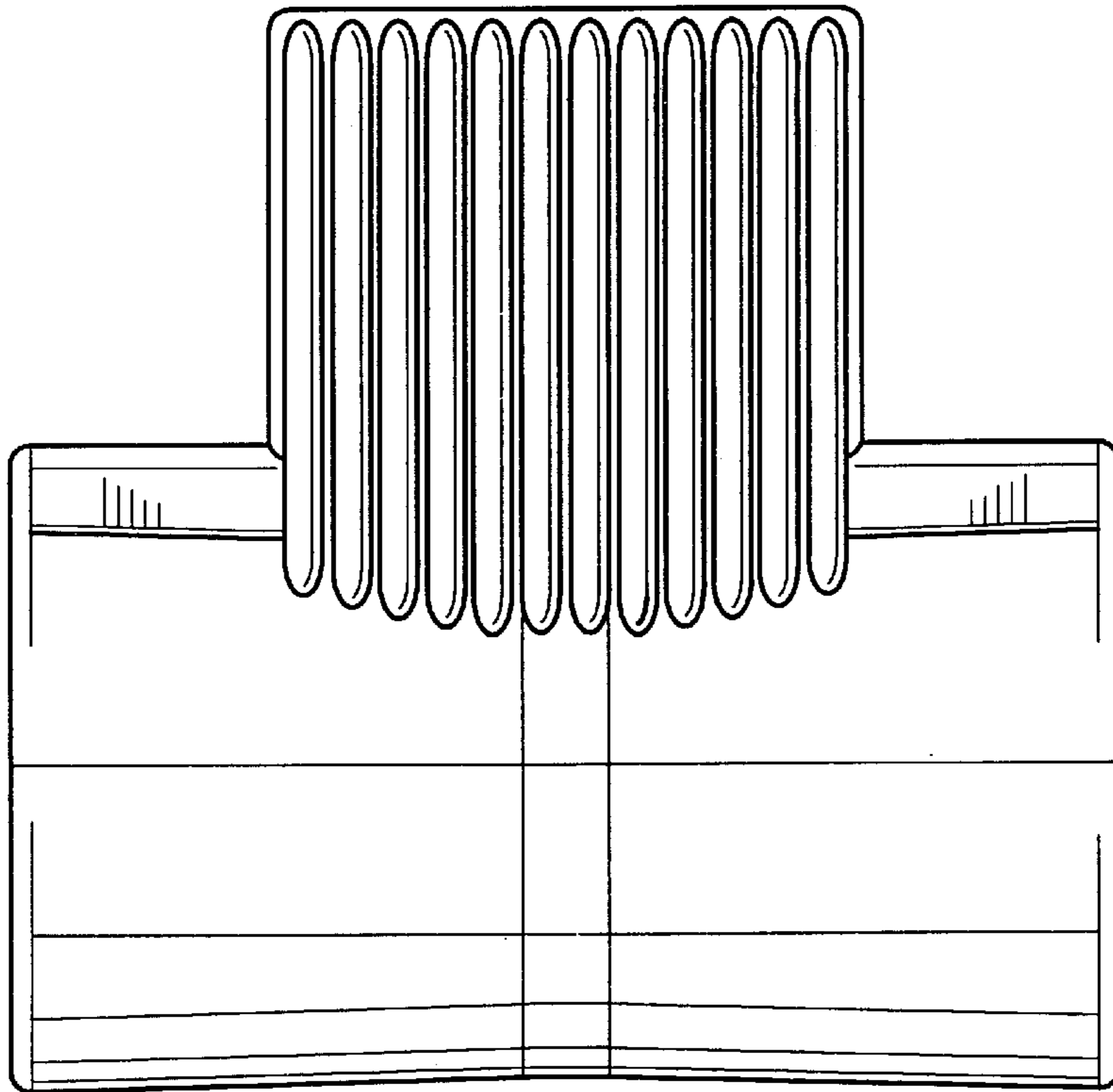


FIG. 5

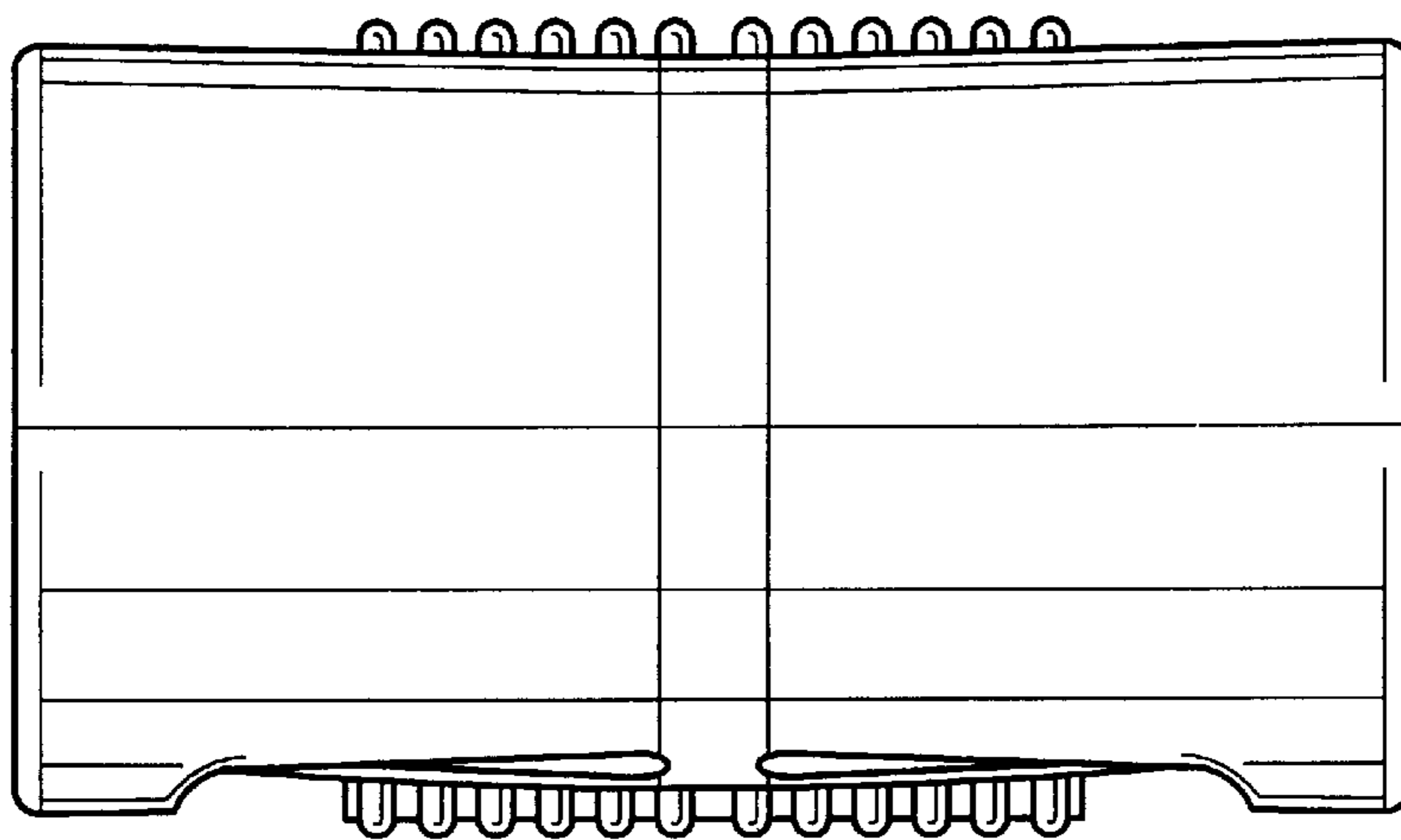


FIG. 6