



US00D444602S

(12) **United States Design Patent**
Saimen

(10) **Patent No.:** **US D444,602 S**

(45) **Date of Patent:** **** Jul. 3, 2001**

(54) **COMBINED ELECTRIC WASHING
MACHINE AND DRYING MACHINE**

D. 301,781 * 6/1989 Bover D32/6
D. 301,782 * 6/1989 Bover D32/6
D. 340,785 * 10/1993 Bover D32/6
D. 426,685 * 6/2000 Sans Rovira D32/6

(75) Inventor: **Tadahiko Saimen**, Nara-ken (JP)

* cited by examiner

(73) Assignee: **Sharp Kabushiki Kaisha**, Osaka (JP)

Primary Examiner—Louis S. Zarfaz

(**) Term: **14 Years**

Assistant Examiner—Robert A. Delehanty

(21) Appl. No.: **29/125,623**

(74) *Attorney, Agent, or Firm*—Nixon & Vanderhye

(22) Filed: **Jun. 28, 2000**

(57) **CLAIM**

(30) **Foreign Application Priority Data**

The ornamental design for a combined electric washing machine and drying machine, as shown and described.

Dec. 28, 1999 (JP) 11-37082

DESCRIPTION

(51) **LOC (7) Cl.** **15-05**

FIG. 1 is a top, front and right side perspective view of a combined electric washing machine and drying machine according to my design;

(52) **U.S. Cl.** **D32/5**

FIG. 2 is a top plan view thereof;

(58) **Field of Search** D32/1, 5-6, 10,
D32/12, 25, 28; 34/108, 139, 595, 596,
603; 68/3 R, 12.01, 12.12, 12.26, 24; 312/228,
257.1, 263, 264, 265.6

FIG. 3 is a front elevational view thereof;

FIG. 4 is a right side elevational view thereof;

FIG. 5 is a left side elevational view thereof;

FIG. 6 is a rear elevational view thereof; and,

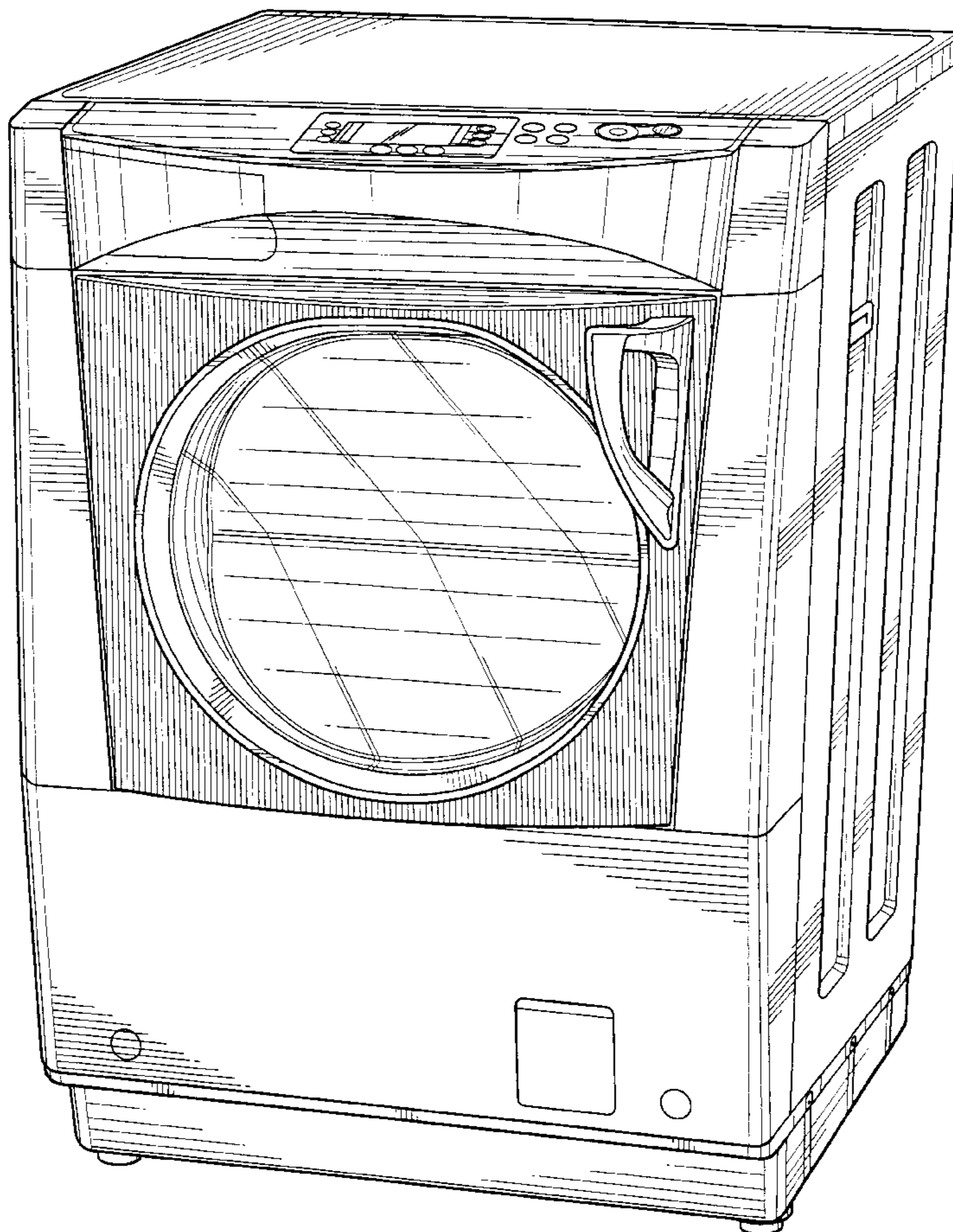
FIG. 7 is a bottom plan view thereof.

(56) **References Cited**

U.S. PATENT DOCUMENTS

D. 271,148 * 10/1983 Krebs D32/6

1 Claim, 7 Drawing Sheets



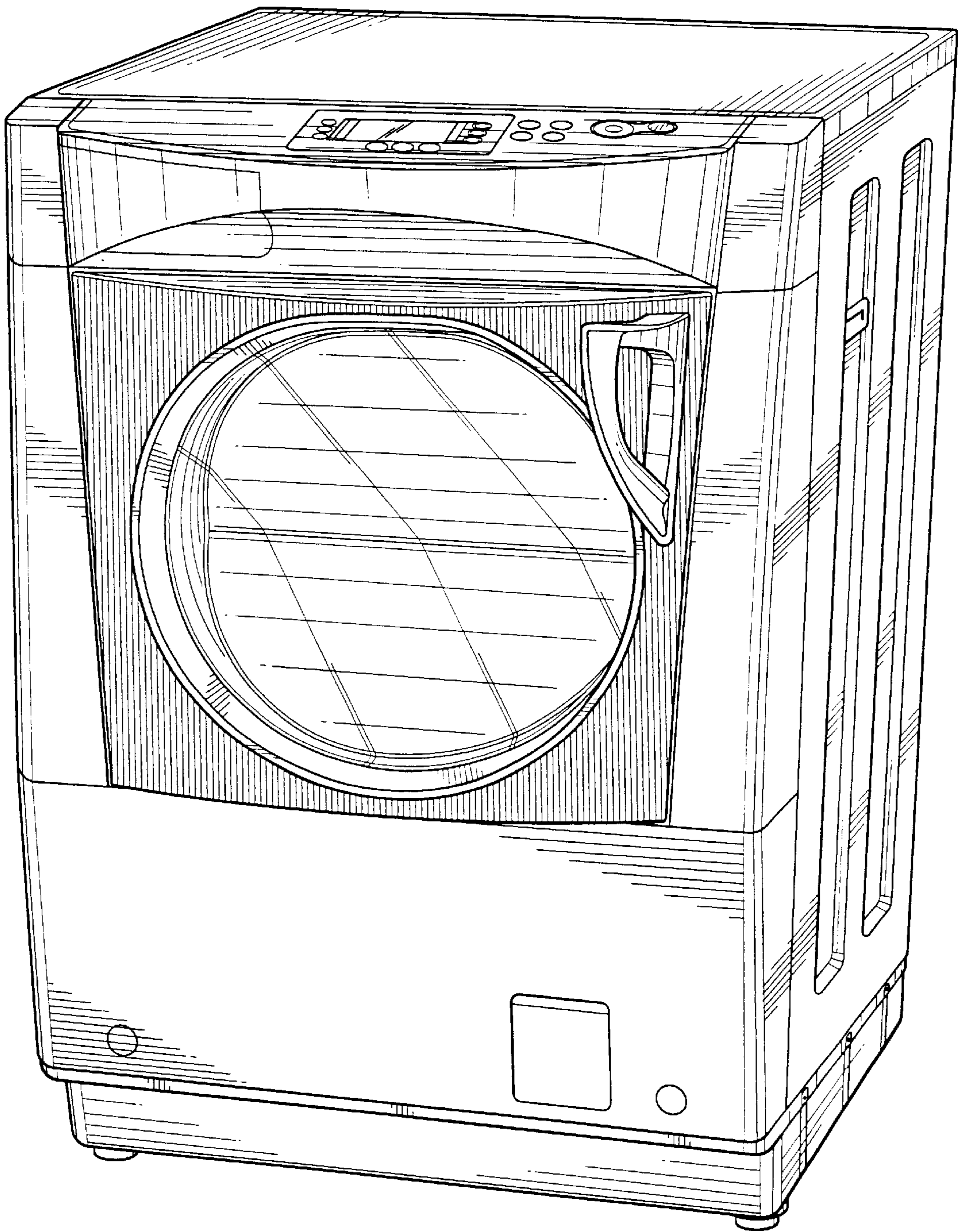


FIG. 1

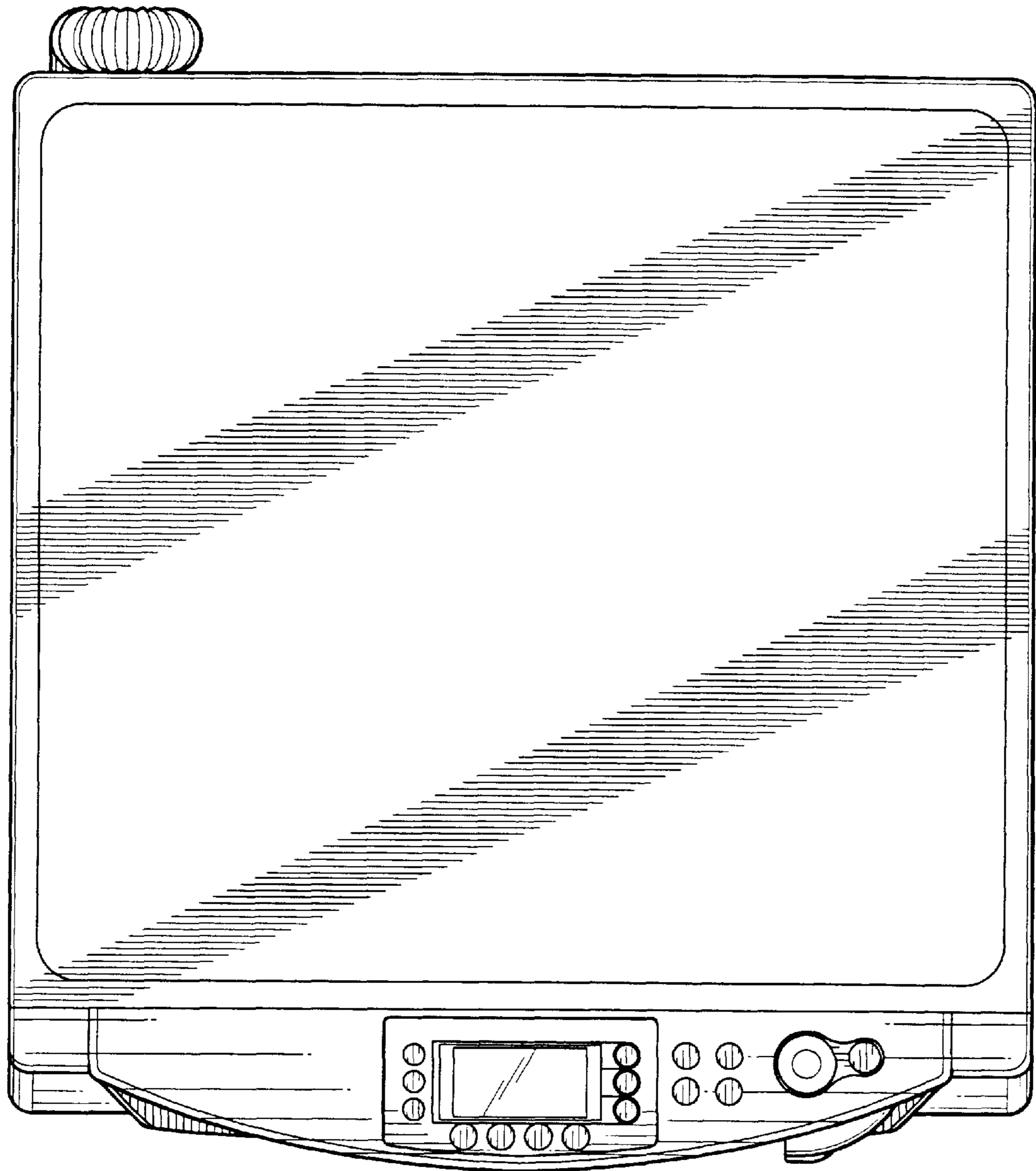


FIG. 2

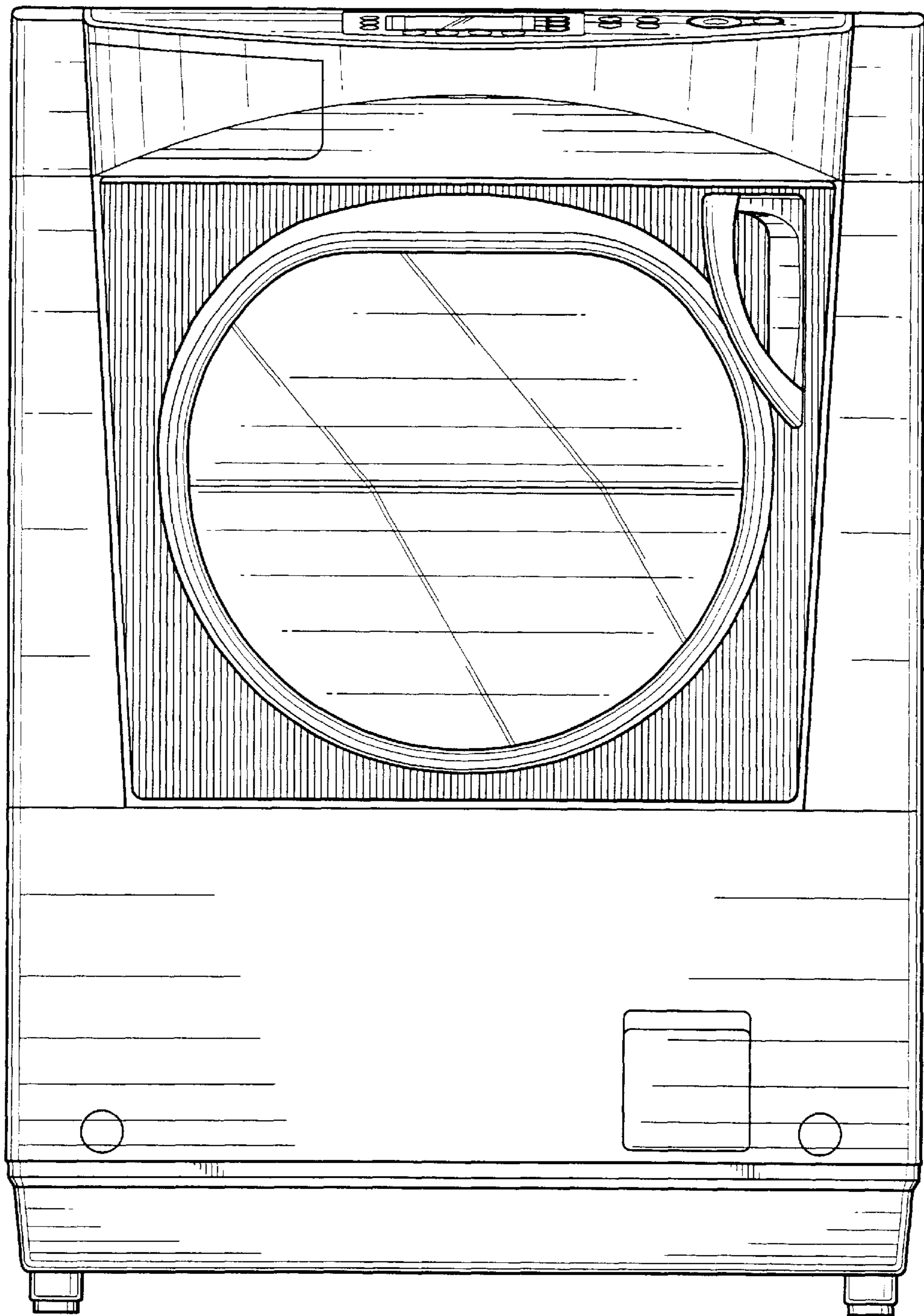


FIG. 3

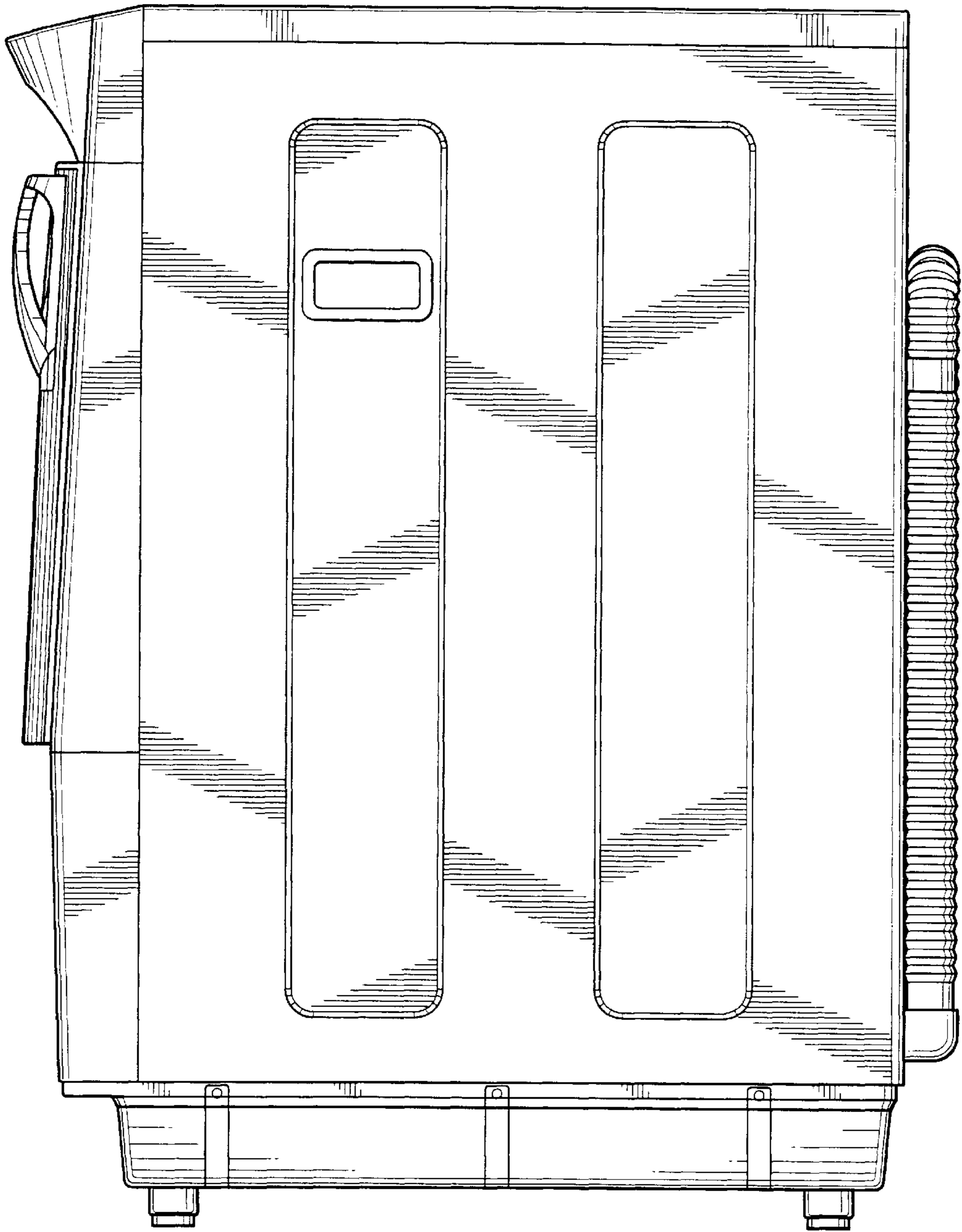


FIG. 4

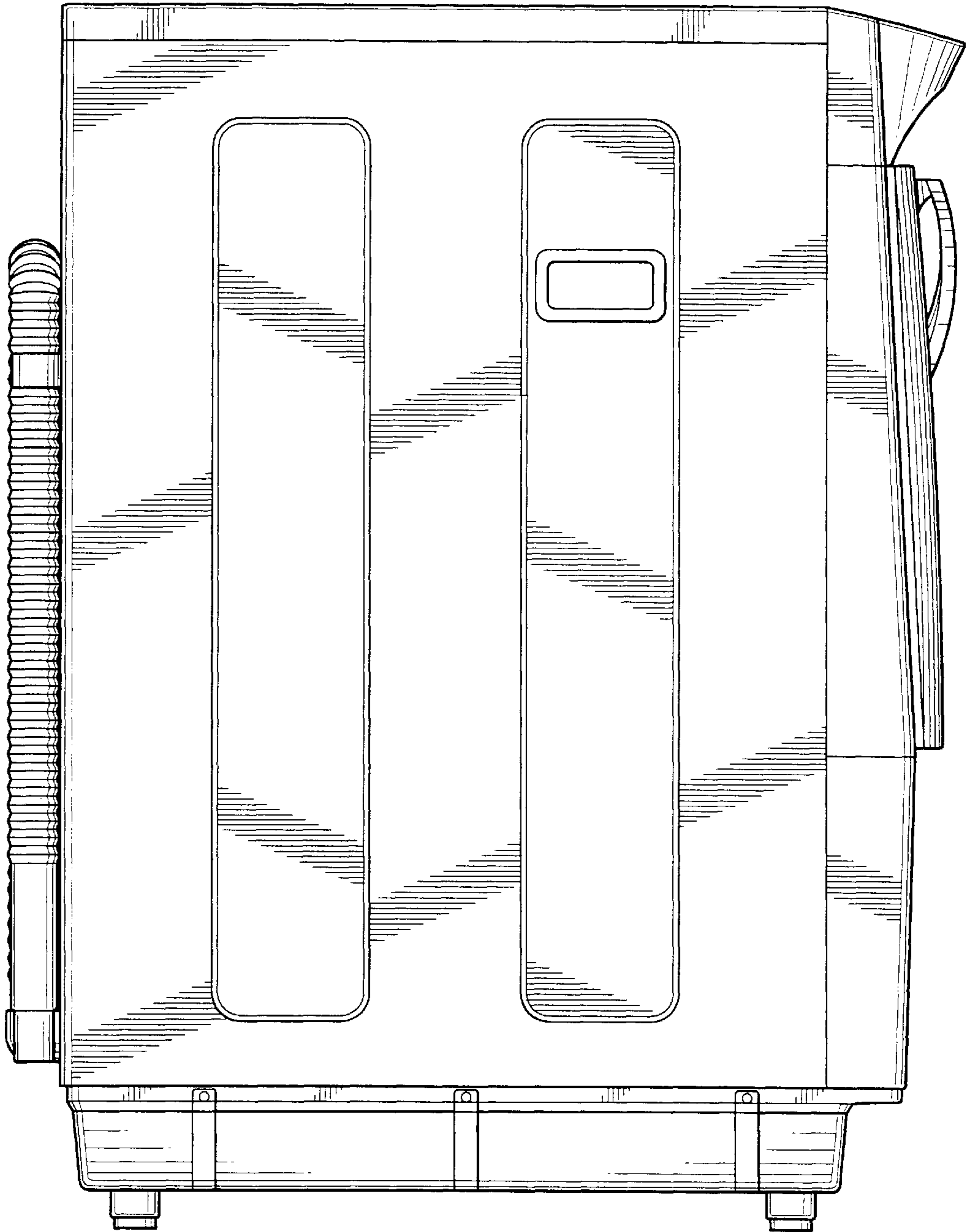


FIG. 5

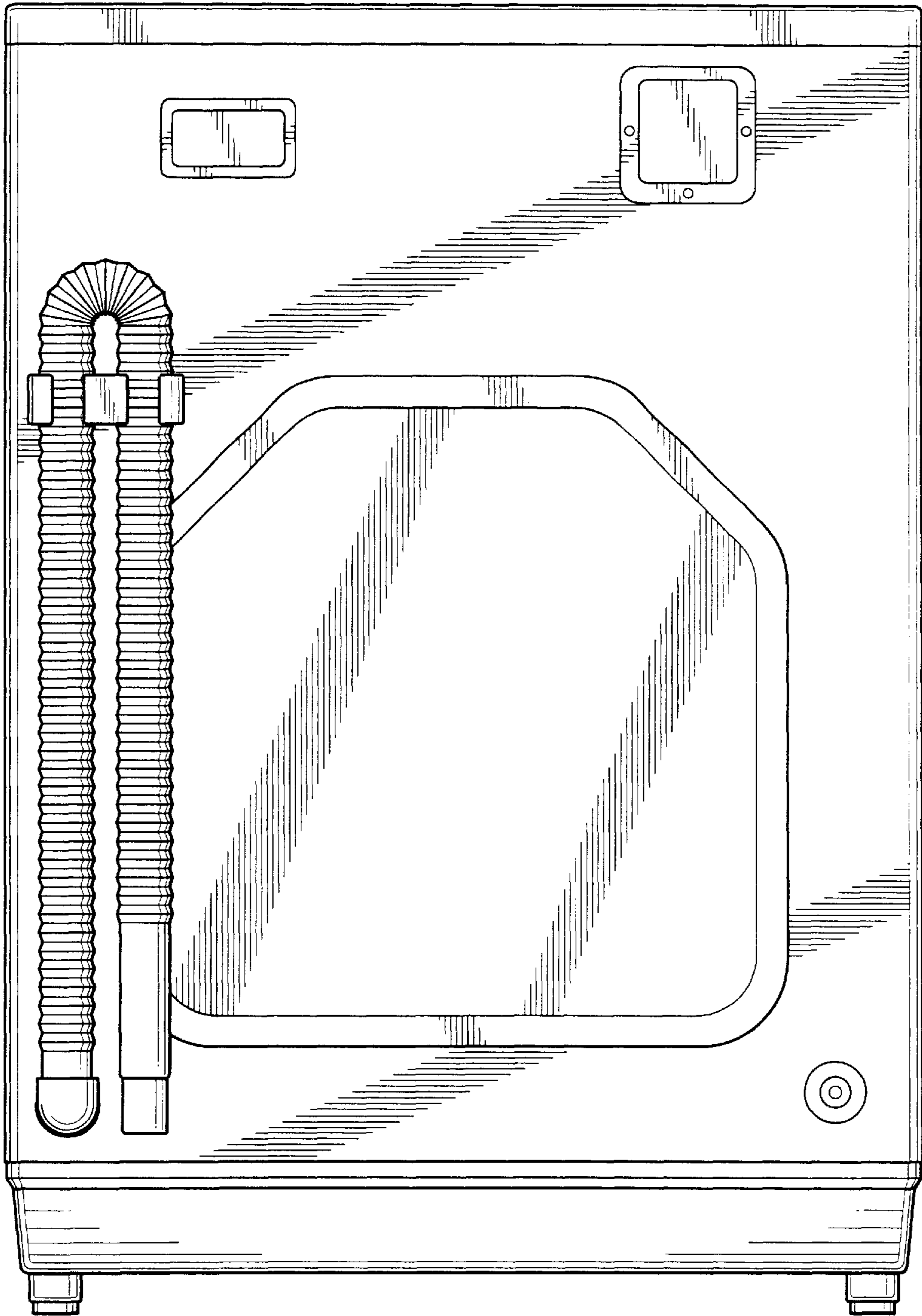


FIG. 6

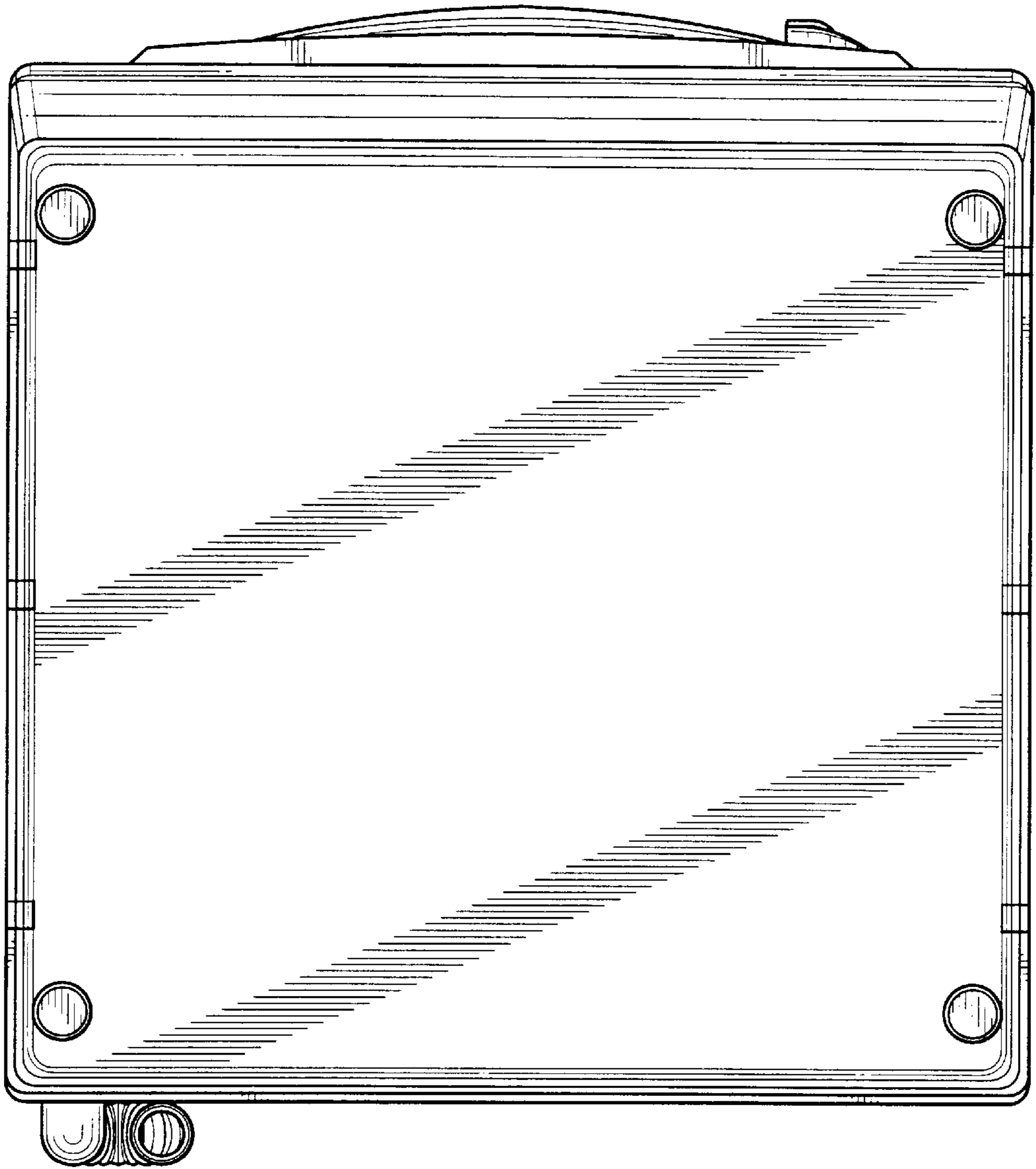


FIG. 7