



US00D444601S

(12) **United States Design Patent**  
**Minagawa et al.**

(10) **Patent No.:** **US D444,601 S**

(45) **Date of Patent:** **\*\* Jul. 3, 2001**

(54) **CLEANER ASSEMBLY**

(75) Inventors: **Shozo Minagawa**, Tokyo; **Toshio Ishikawa**, Saitama Pref.; **Takashi Nakai**, Tokyo, all of (JP); **Charles T. Higgins**, Richmond, VA (US); **Seiichi Kawakami**; **Takahide Takeda**, both of Hyogo (JP)

(73) Assignee: **Philip Morris Incorporated**, New York, NY (US)

(\*\*) Term: **14 Years**

(21) Appl. No.: **29/120,162**

(22) Filed: **Mar. 16, 2000**

(51) **LOC (7) Cl.** ..... **15-02**

(52) **U.S. Cl.** ..... **D32/1**

(58) **Field of Search** ..... D32/1, 13, 17,  
D32/18, 21, 22, 23, 25, 29, 30; 134/103.2;  
D23/213; D28/73

(56) **References Cited**

**U.S. PATENT DOCUMENTS**

- D. 253,307 \* 10/1979 Natale ..... D28/73
- D. 261,423 \* 10/1981 Geissler ..... D32/1 X
- D. 266,794 \* 11/1982 Puskas et al. .... D32/1
- D. 281,539 \* 11/1985 Harrison ..... D32/1

- D. 306,784 \* 3/1990 Fung ..... D32/1
- D. 315,039 \* 2/1991 Wortham ..... D32/1
- D. 315,815 \* 3/1991 Miller ..... D32/1
- D. 380,067 \* 6/1997 Brenneman ..... D32/1

\* cited by examiner

*Primary Examiner*—Louis S. Zarfaz

*Assistant Examiner*—Robert A. Delehanty

(74) *Attorney, Agent, or Firm*—Burns, Doane, Swecker & Mathis LLP

(57) **CLAIM**

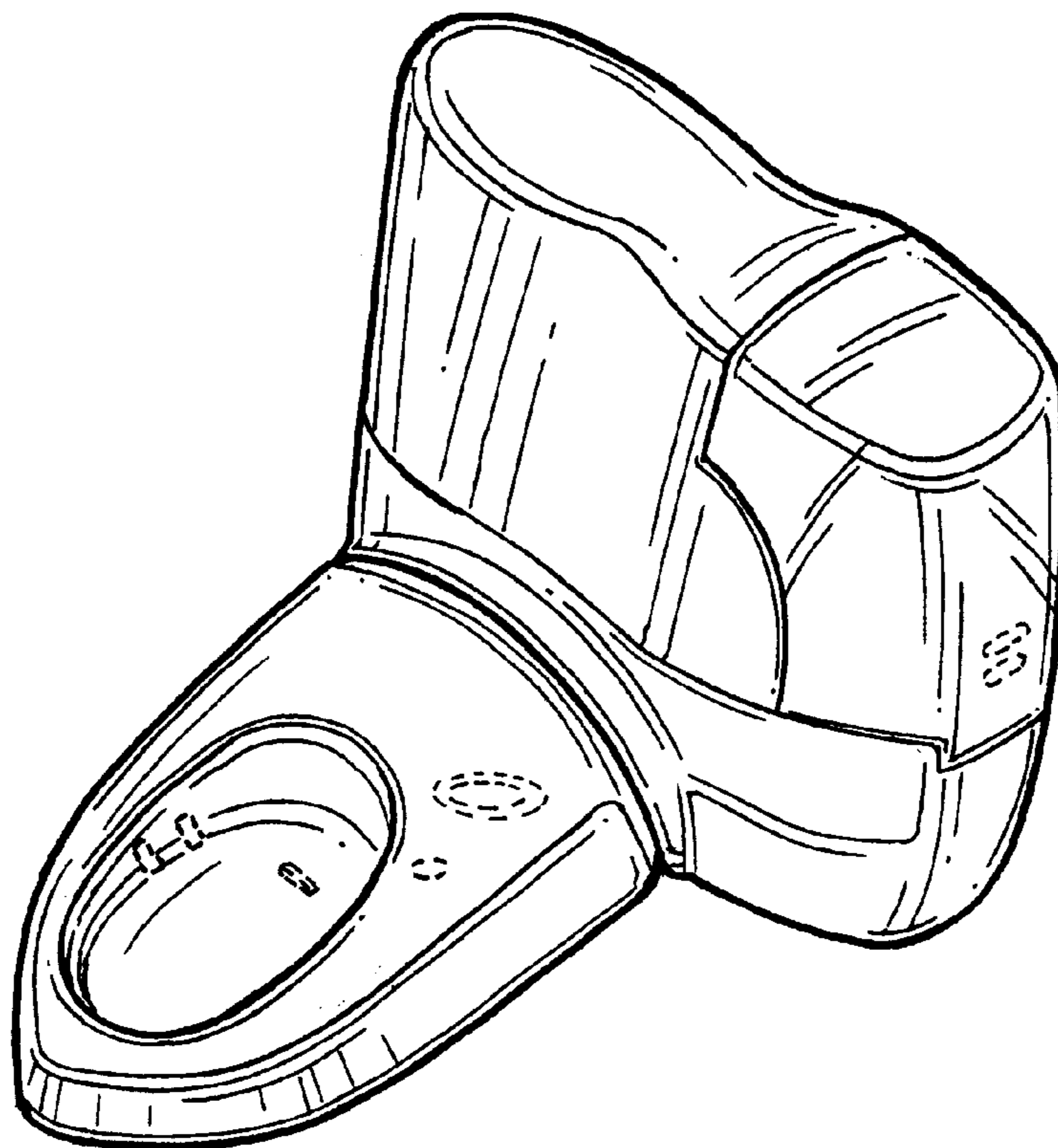
The ornamental design for a cleaner assembly, as shown and described.

**DESCRIPTION**

FIG. 1 is a front, top perspective view of a cleaner assembly showing our new design;  
FIG. 2 is a right side elevational view thereof;  
FIG. 3 is a left side elevational view thereof;  
FIG. 4 is a front elevational view thereof;  
FIG. 5 is a rear elevational view thereof;  
FIG. 6 is a top plan view thereof; and,  
FIG. 7 is a bottom plan view thereof.

The broken line showing of various features of the cleaner assembly is for illustration purposes only and forms no part of the claimed design.

**1 Claim, 4 Drawing Sheets**



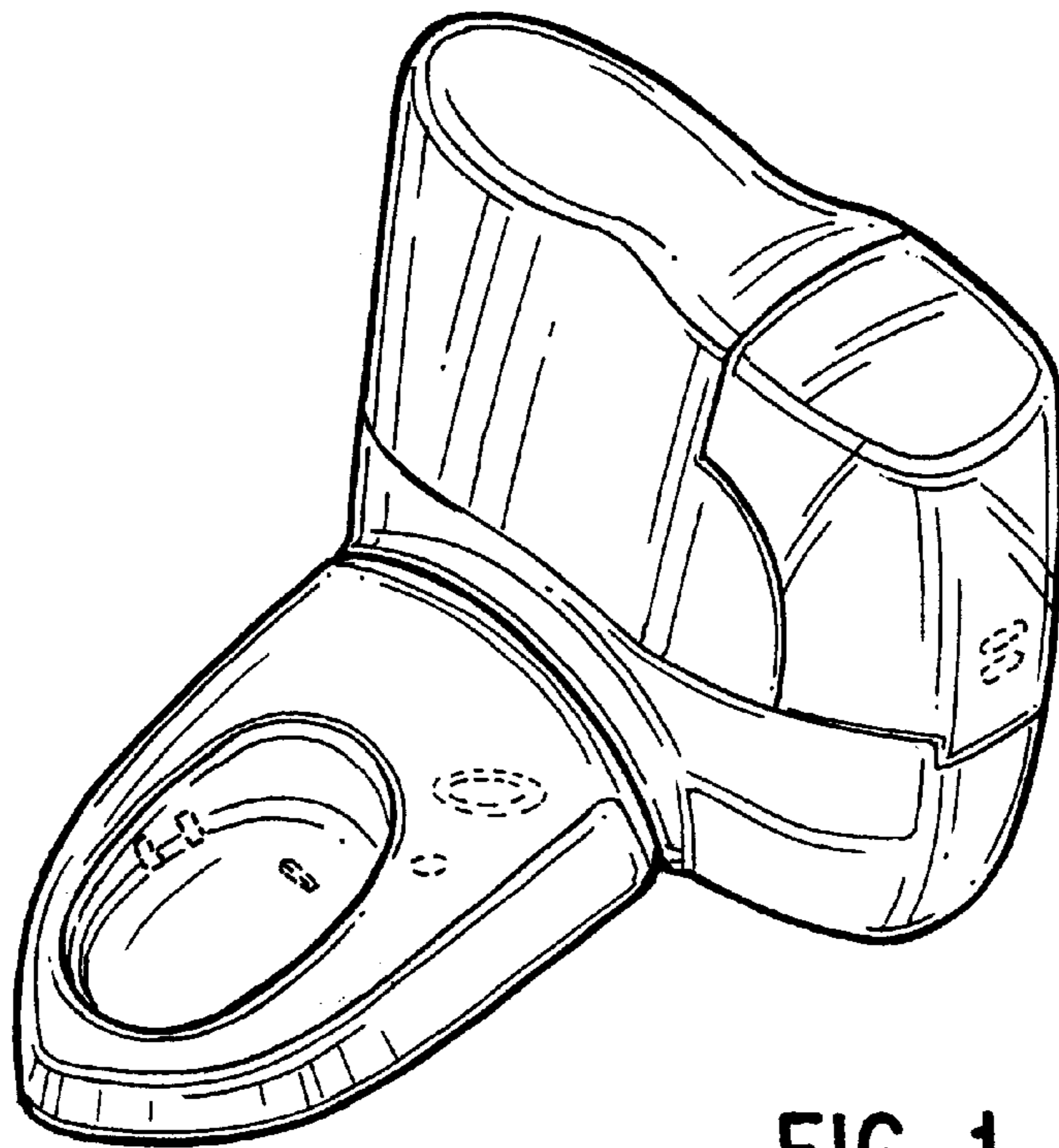


FIG. 1

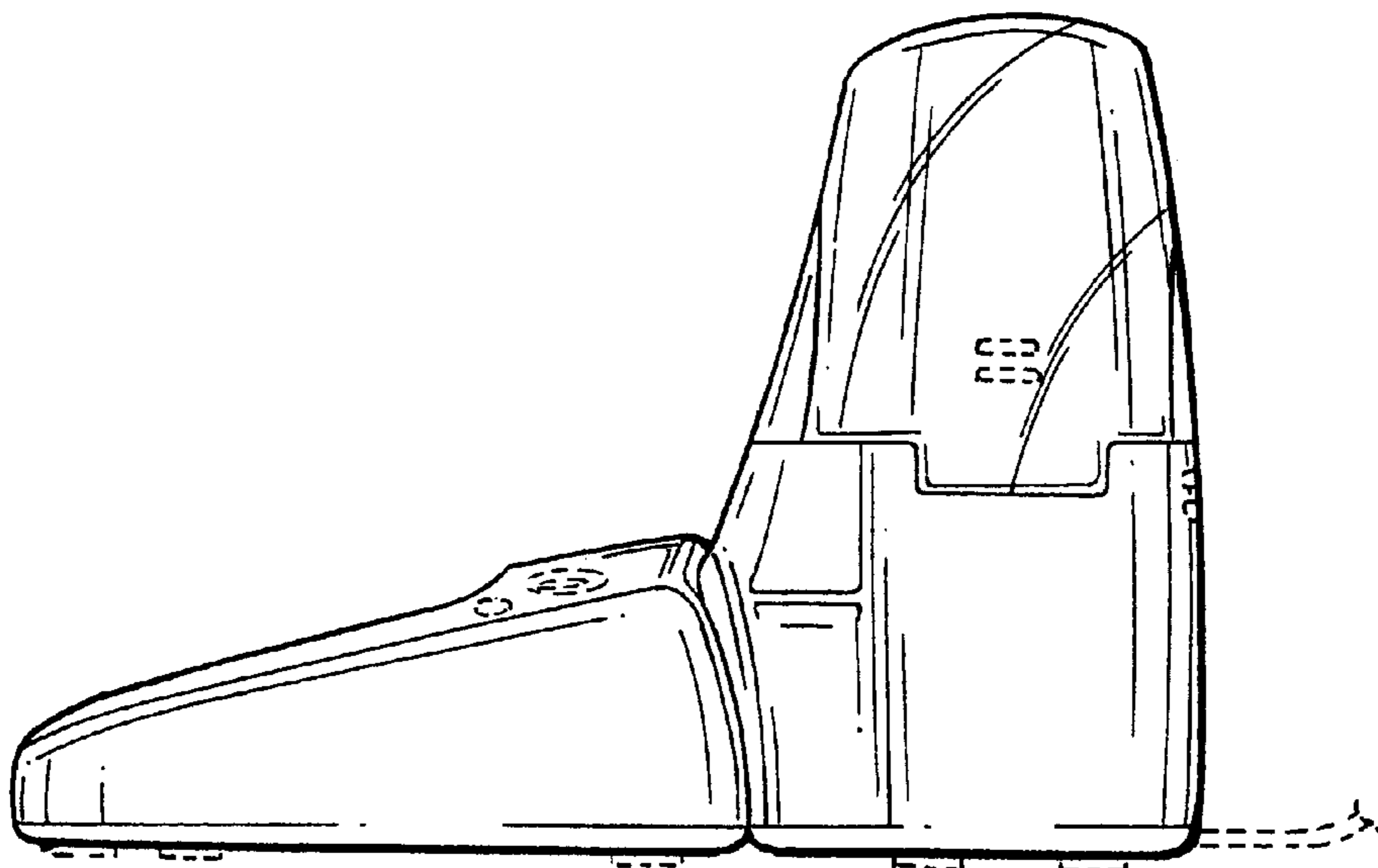


FIG. 2

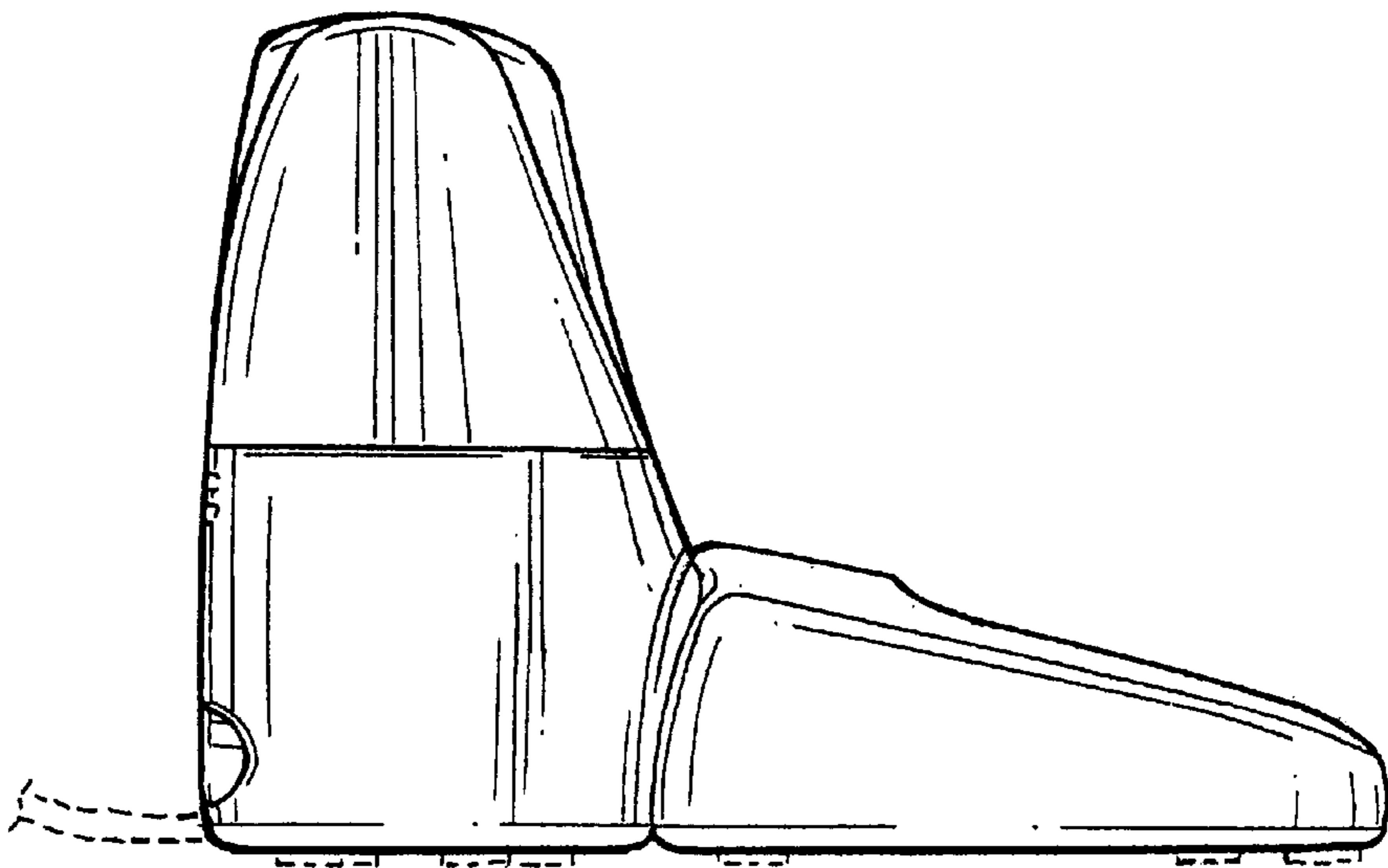


FIG. 3

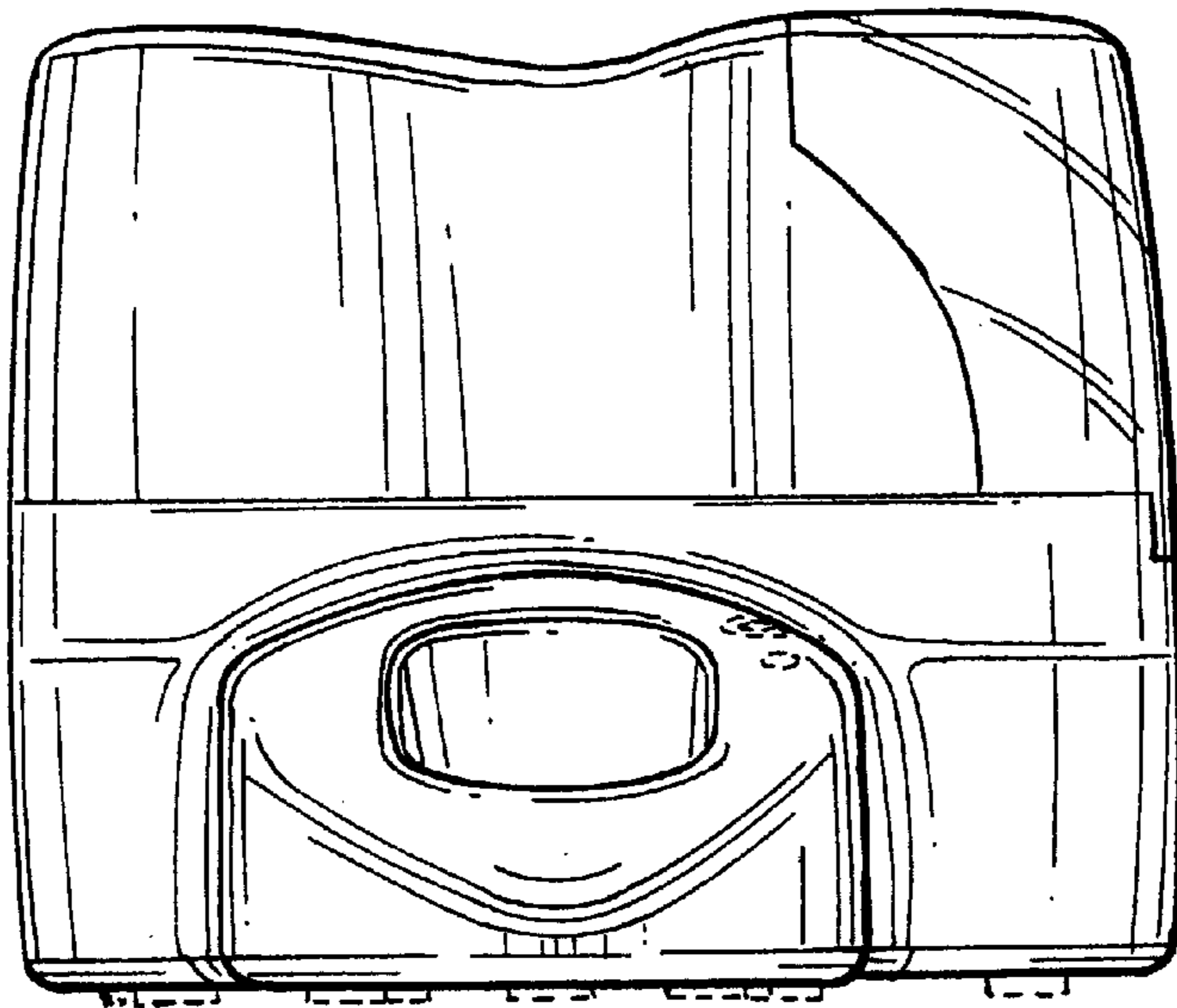


FIG. 4

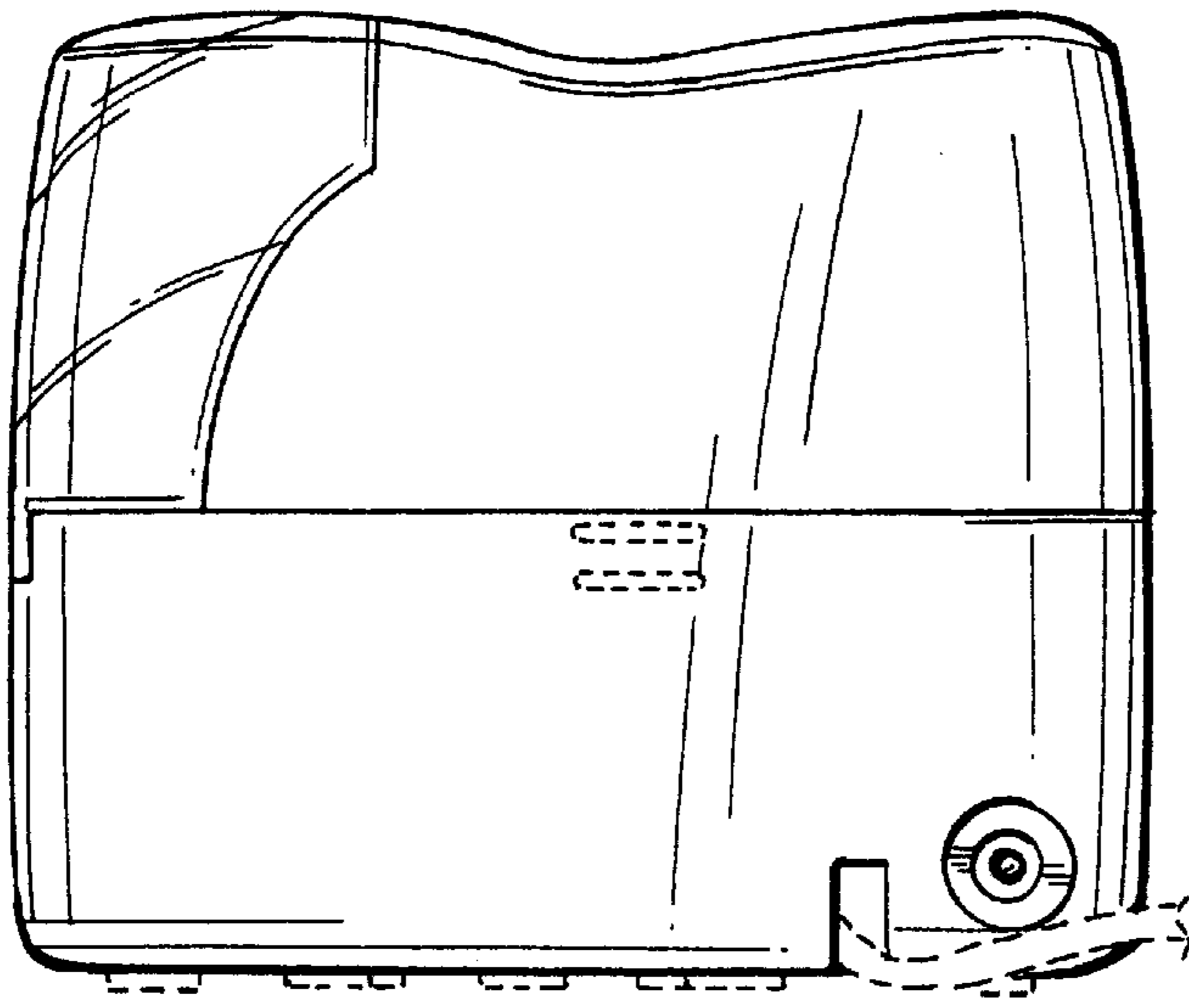


FIG. 5

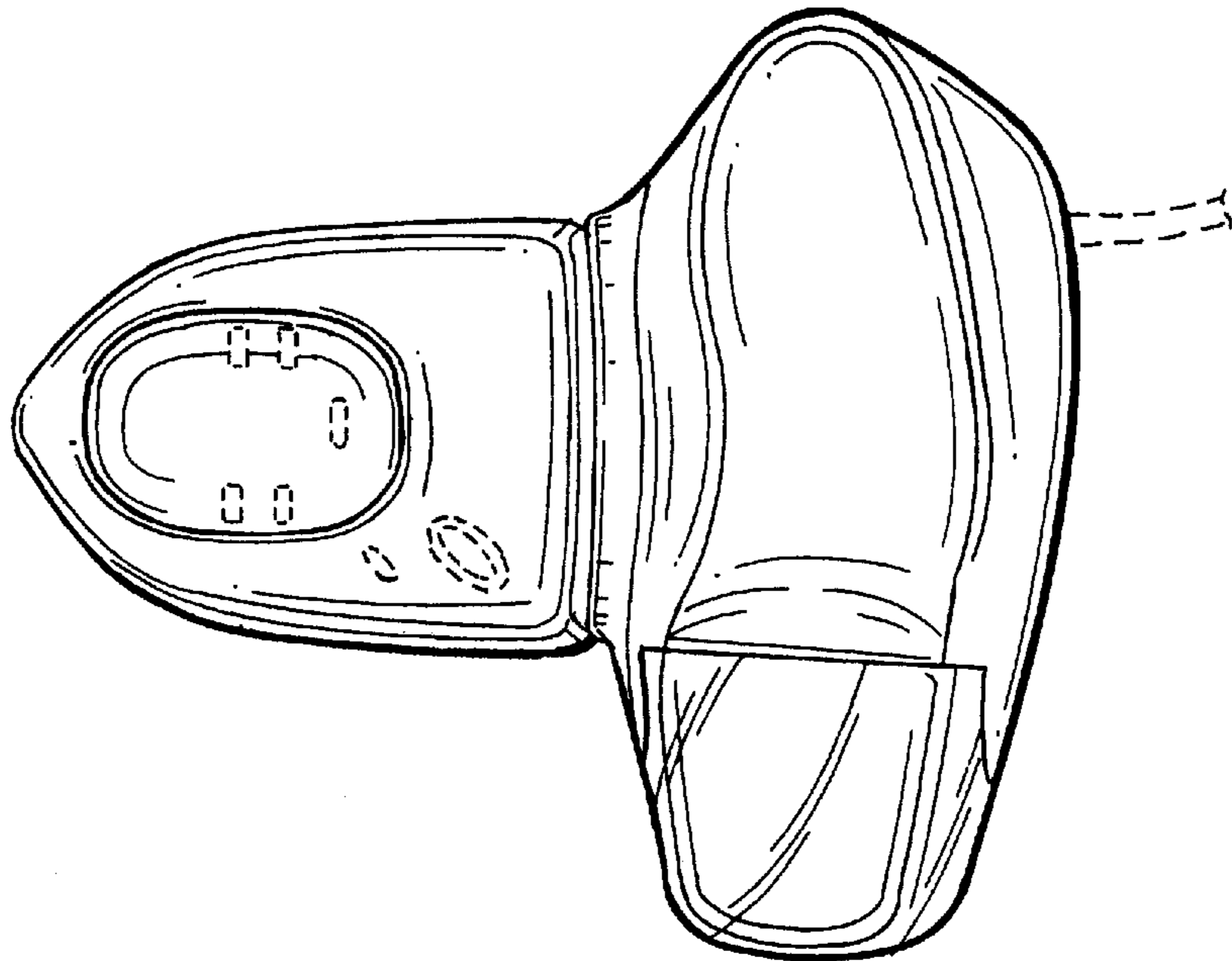


FIG. 6

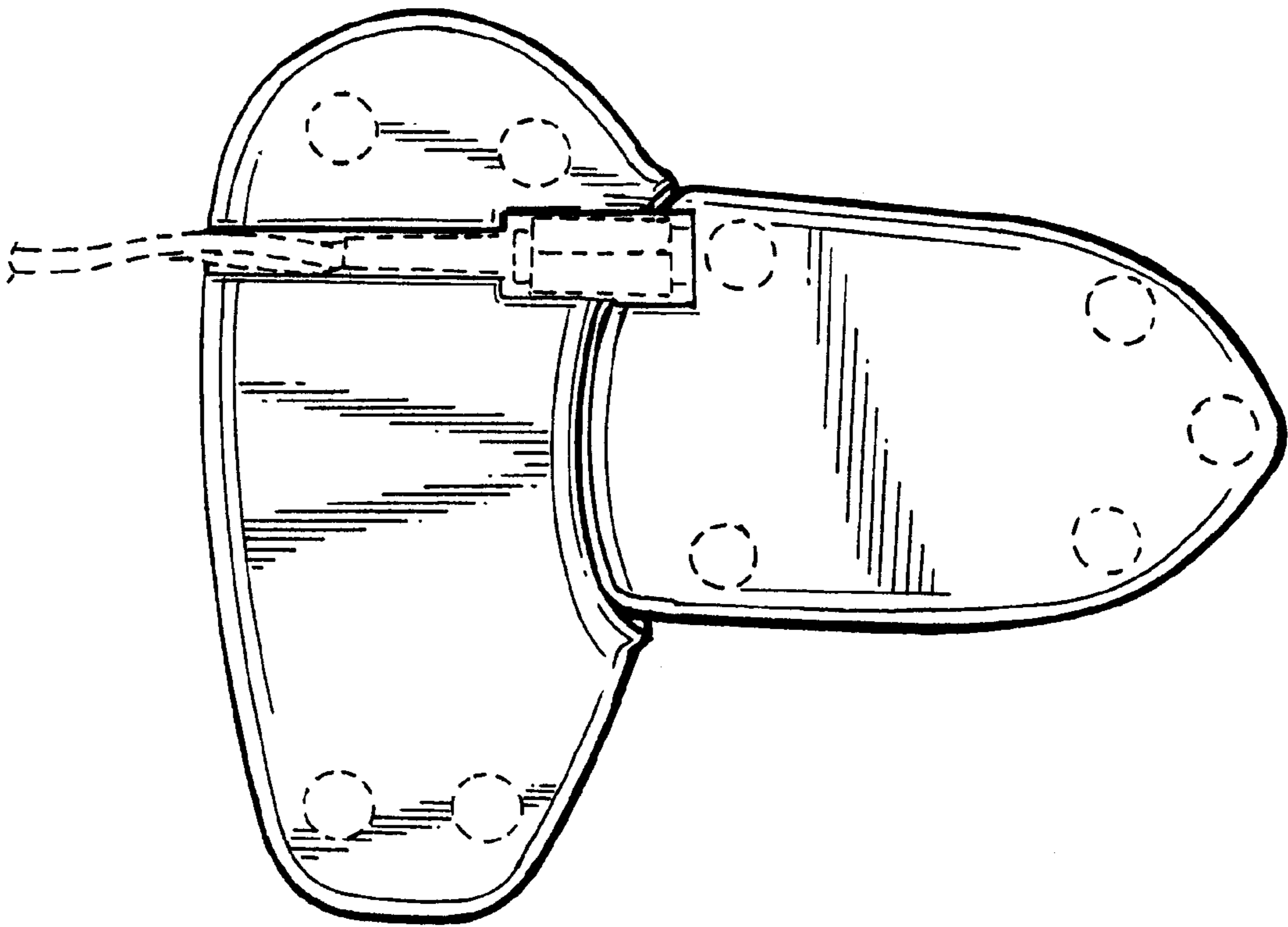


FIG. 7