



US00D444600S

(12) **United States Design Patent**
Spritzer

(10) **Patent No.:** **US D444,600 S**

(45) **Date of Patent:** **** Jul. 3, 2001**

(54) **CAT SCRATCHER POST**

(75) **Inventor:** **Gary Spritzer, Marietta, GA (US)**

(73) **Assignee:** **CatCraft, Inc., Calhoun, GA (US)**

(**) **Term:** **14 Years**

(21) **Appl. No.:** **29/129,449**

(22) **Filed:** **Sep. 15, 2000**

(51) **LOC (7) Cl.** **30-99**

(52) **U.S. Cl.** **D30/160**

(58) **Field of Search** D30/108-112,
D30/114-119, 158, 160, 161; 119/702,
706-708, 622, 602, 621, 500, 452-453,
455, 459, 462, 467, 416, 436, 482, 496,
502

(56) **References Cited**

U.S. PATENT DOCUMENTS

D. 235,270	*	6/1975	Borak	D30/158
D. 261,186	*	10/1981	Michalski	D30/160
D. 355,057	*	1/1995	Northrop et al.	D30/160
D. 406,678	*	3/1999	Rittenhouse	D30/108
2,008,817	*	6/1935	Yoder	119/706
2,997,019	*	8/1961	Bryson	119/706
4,177,763	*	12/1979	Cook	119/706
4,253,423	*	3/1981	Kaplan	119/706
4,790,265	*	12/1988	Manson	119/706
5,572,955	*	11/1996	Boshears	119/706

OTHER PUBLICATIONS

R.C.Steele Wholesale Pet Supplies catalog; May 1998; p. 58; Scatching Post C—#W20-4575.*
Whole PET*USA catalog; Oct. 1998; p. 39; Delucw Scatching Post (2)—ZT14001.*

* cited by examiner

Primary Examiner—Cathy Anne MacCormac

(74) *Attorney, Agent, or Firm*—Kilpatrick Stockton LLP

(57) **CLAIM**

The ornamental design for a cat scratcher post, as shown.

DESCRIPTION

FIG. 1 is an isometric view showing the top, front, & right side of one embodiment of my design for a cat scratcher post;

FIG. 2 is a top plan view of the design of FIG. 1;

FIG. 3 is a front elevation view of the design of FIG. 1;

FIG. 4 is a right side elevation view of the design of FIG. 1, of which the opposite is a mirror image and therefore not shown;

FIG. 5 is a rear elevation view of the design of FIG. 1;

FIG. 6 is an isometric view showing the top, front, & right side of a second embodiment of my design for a cat scratcher post;

FIG. 7 is a top plan view of the design of FIG. 6;

FIG. 8 is a front elevational view of the design of FIG. 6;

FIG. 9 is a right side elevation view of the design of FIG. 6, of which the opposite is a mirror image and therefore not shown;

FIG. 10 is a rear elevational view of the design of FIG. 6;

FIG. 11 is an isometric view showing the top, front, & right side of a third embodiment of my design for a cat scratcher post;

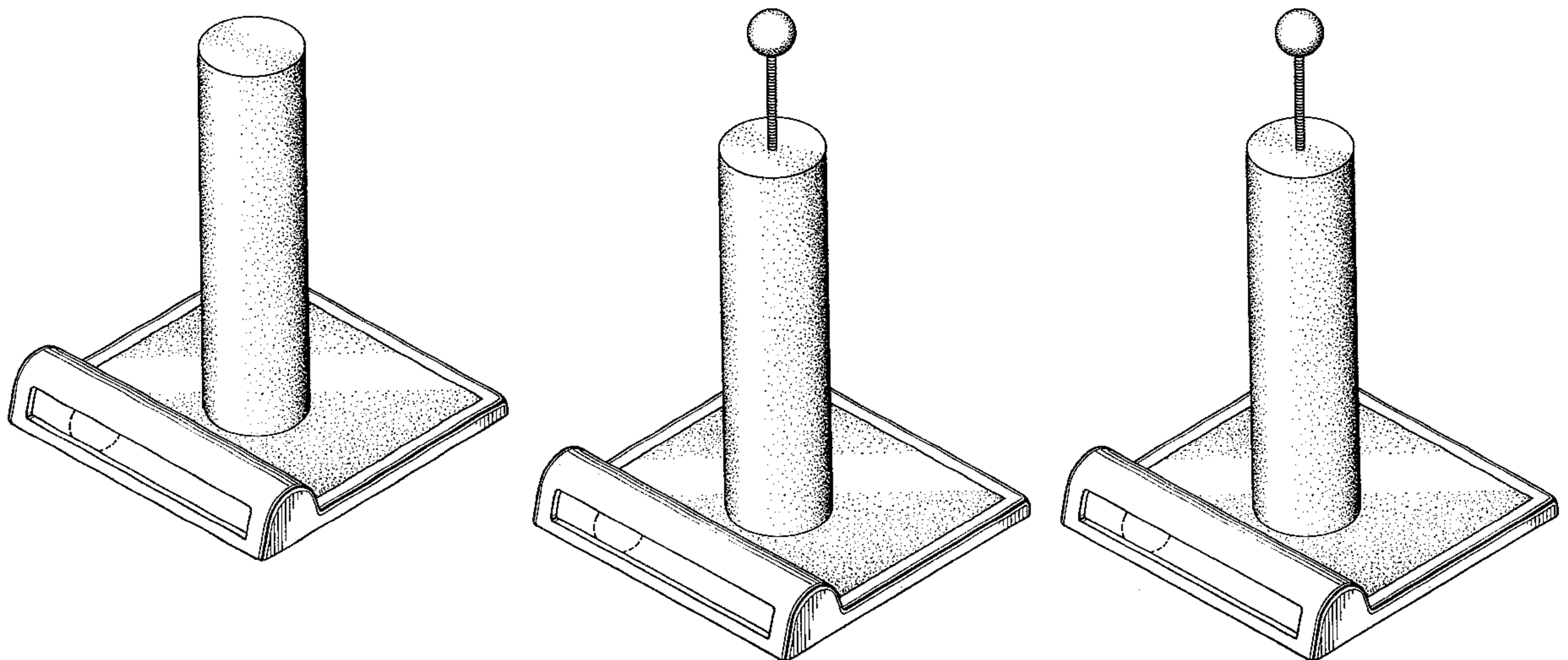
FIG. 12 is a top plan view of the design of FIG. 11;

FIG. 13 is a front elevational view of the design of FIG. 11;

FIG. 14 is a right side elevation view of the design of FIG. 11, of which the opposite is a mirror image and therefore not shown; and,

FIG. 15 is a rear elevational view of the design of FIG. 11.

1 Claim, 6 Drawing Sheets



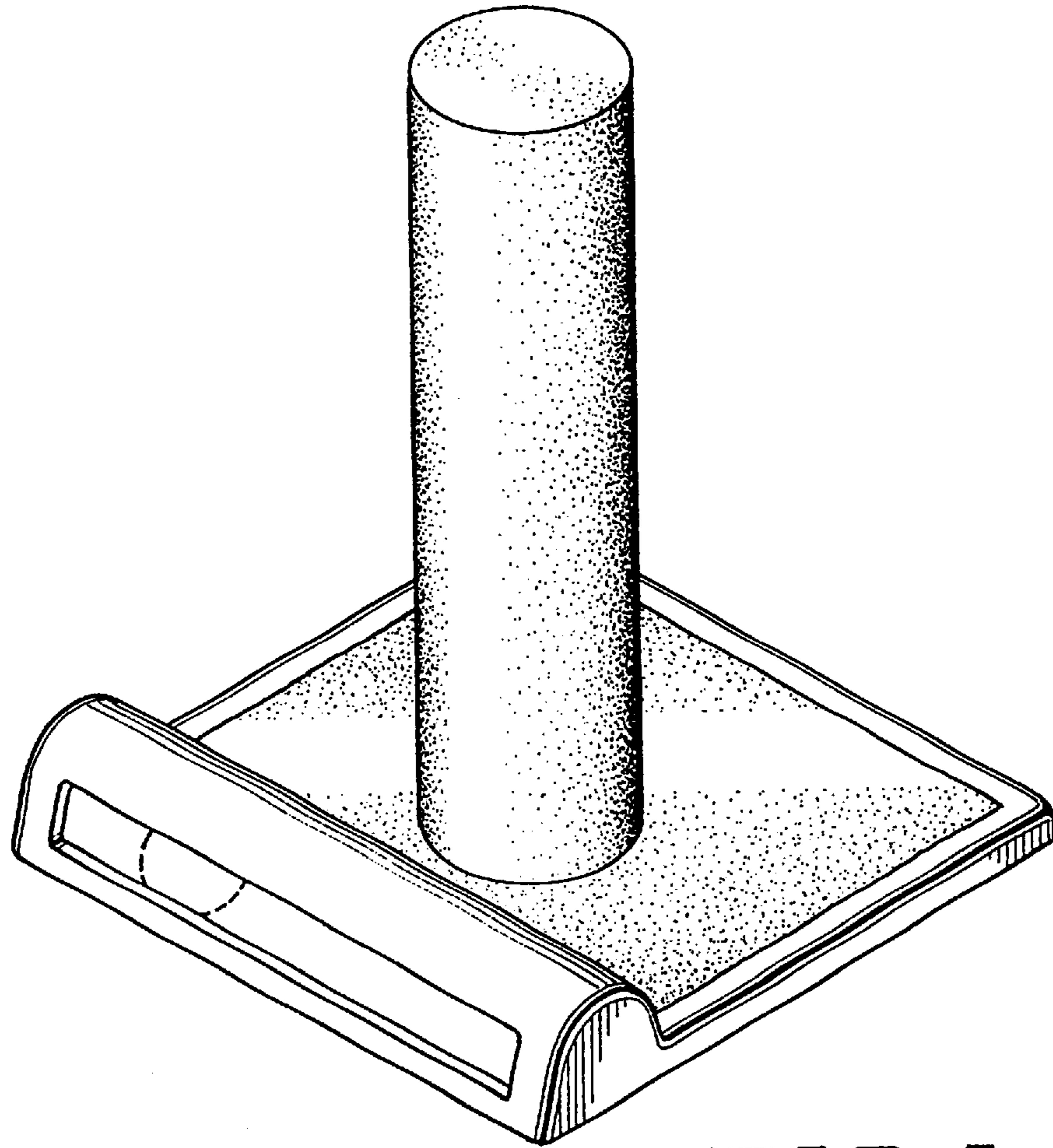


FIG 1

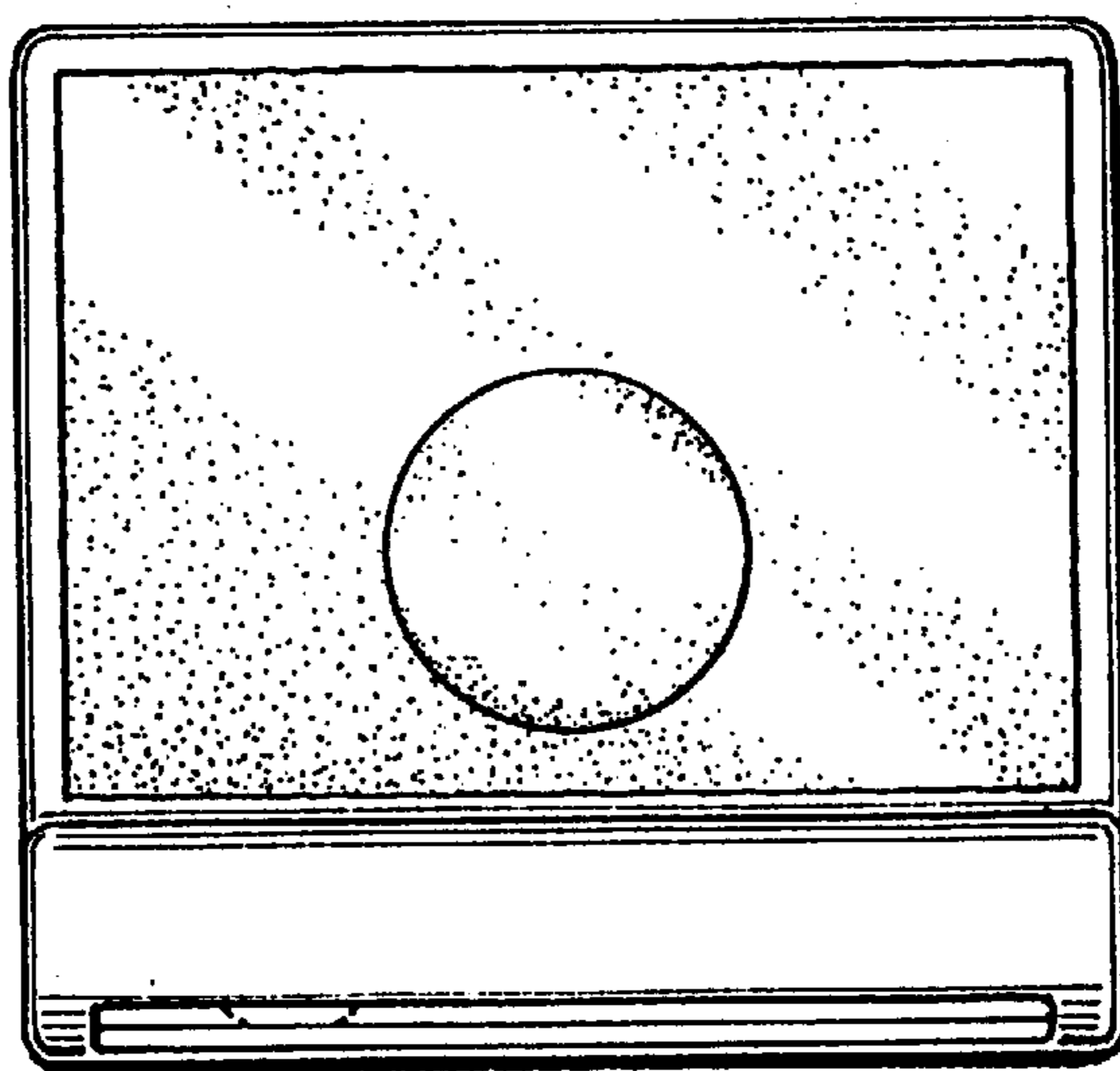


FIG 2

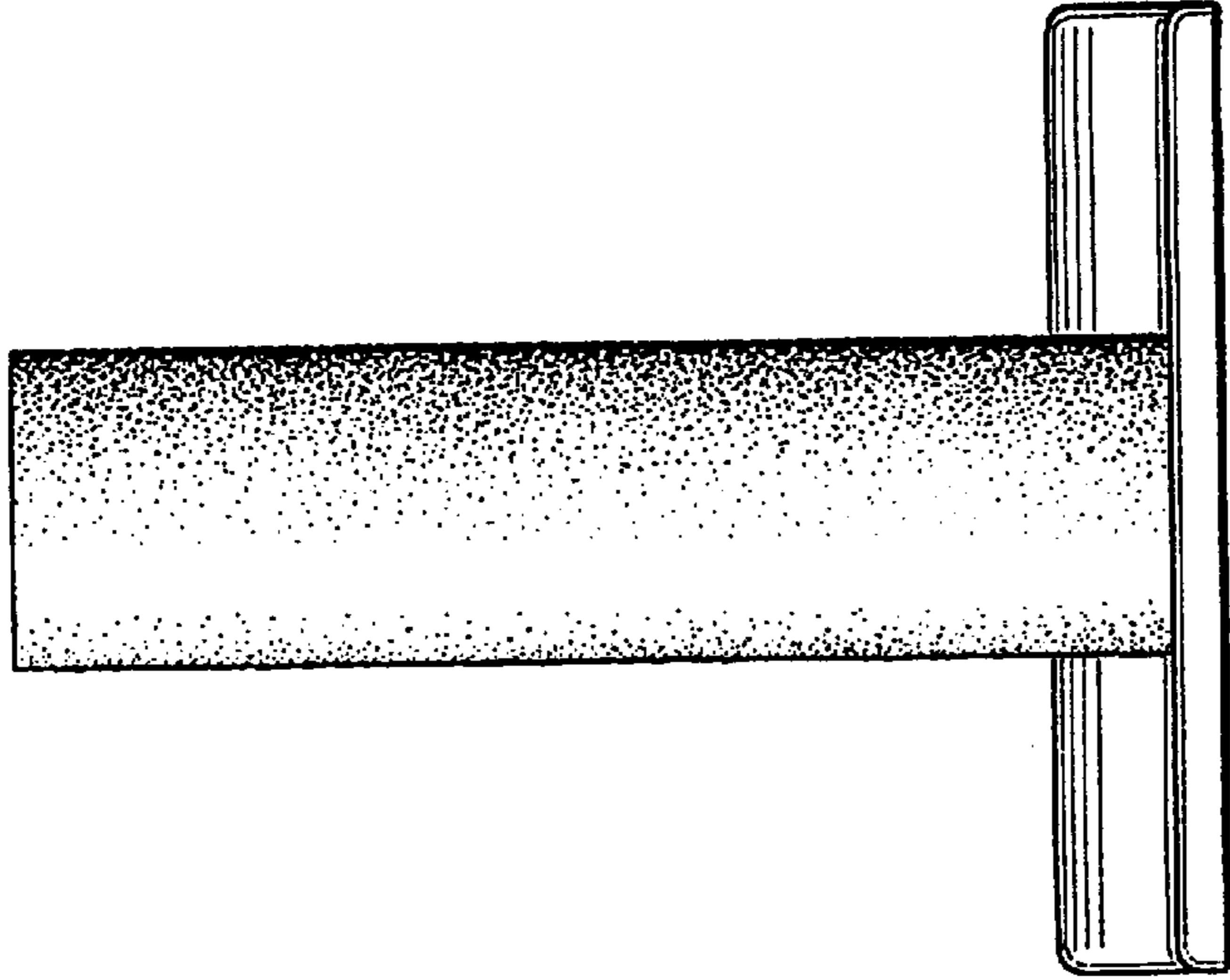


FIG 5

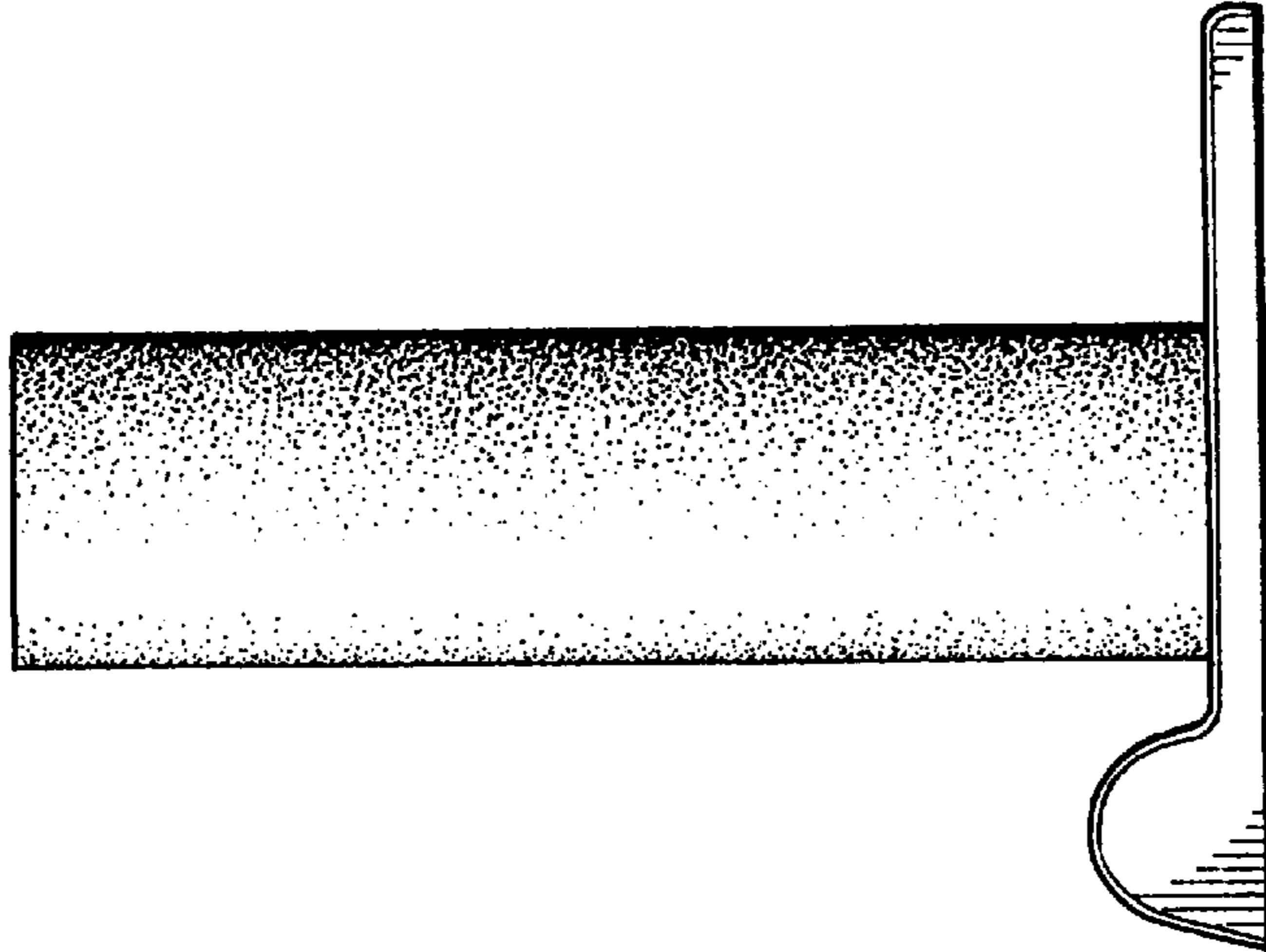


FIG 4

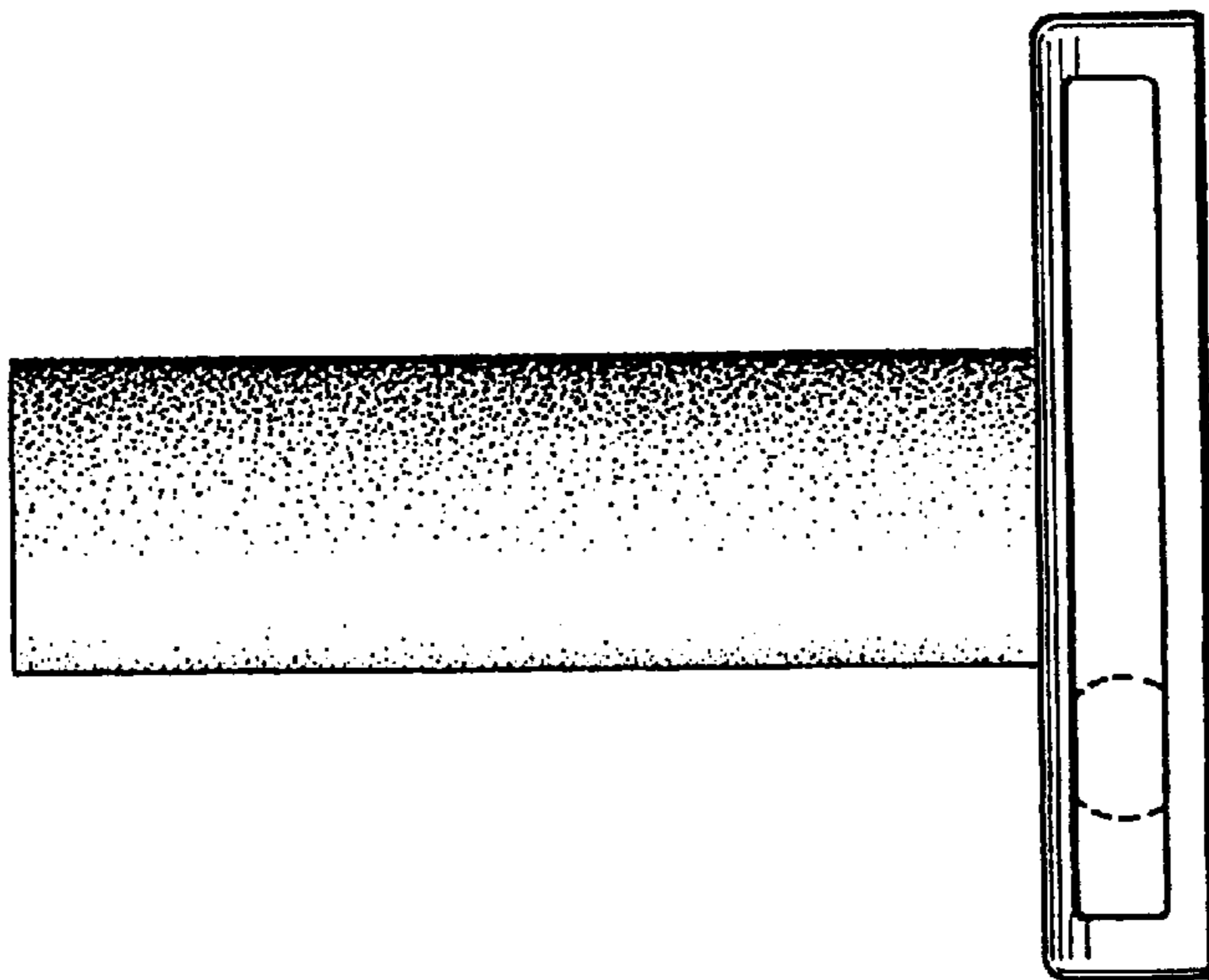


FIG 3

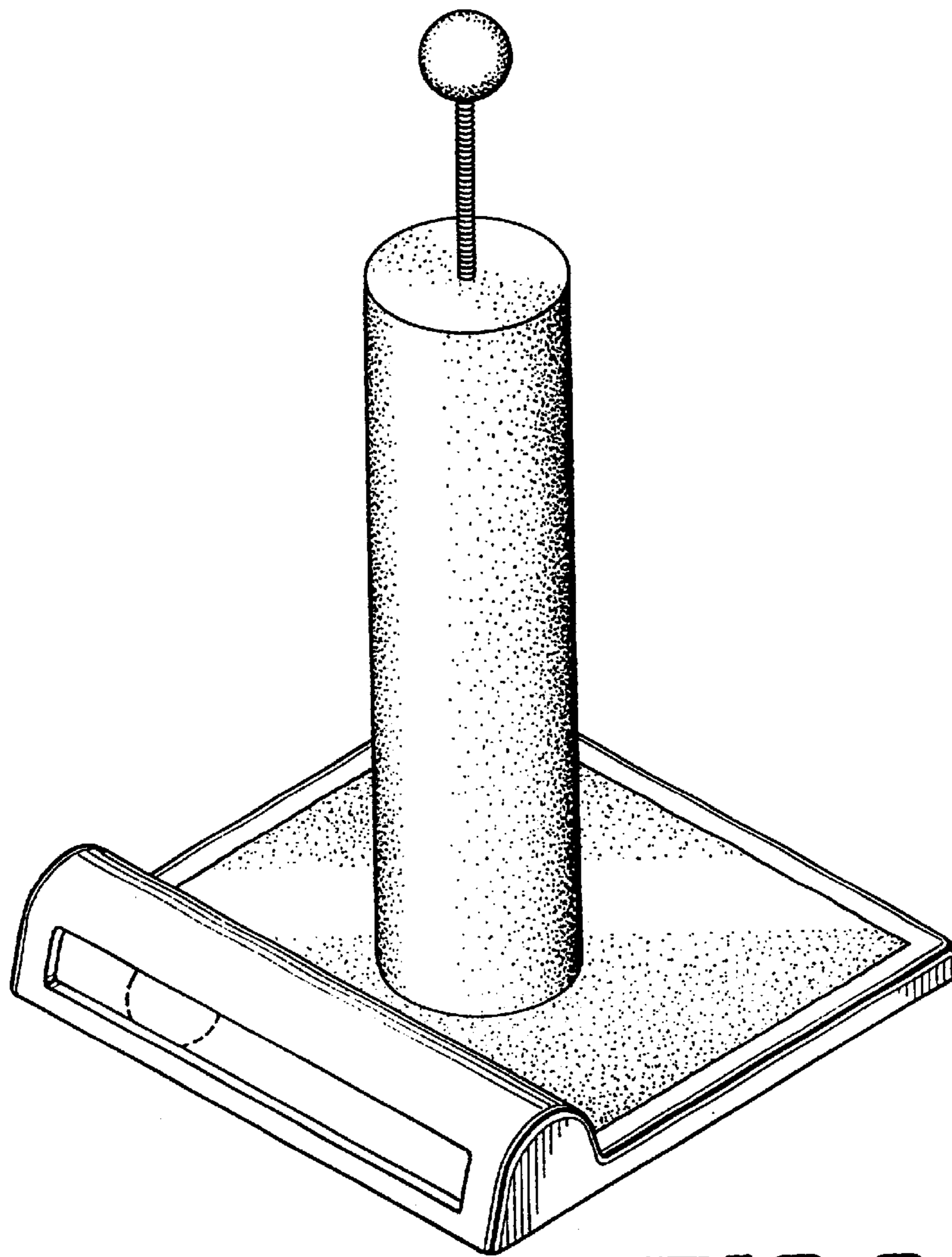


FIG 6

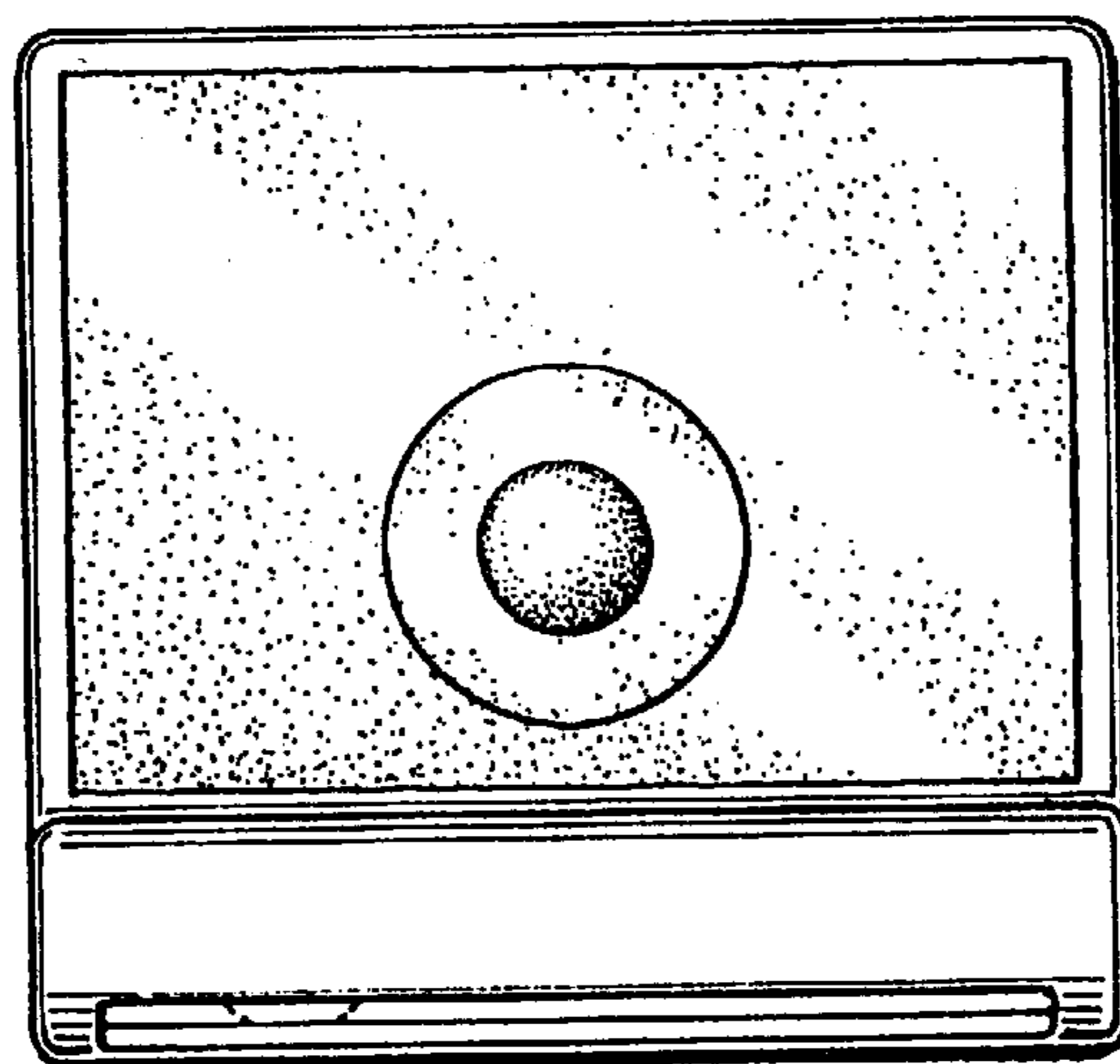


FIG 7

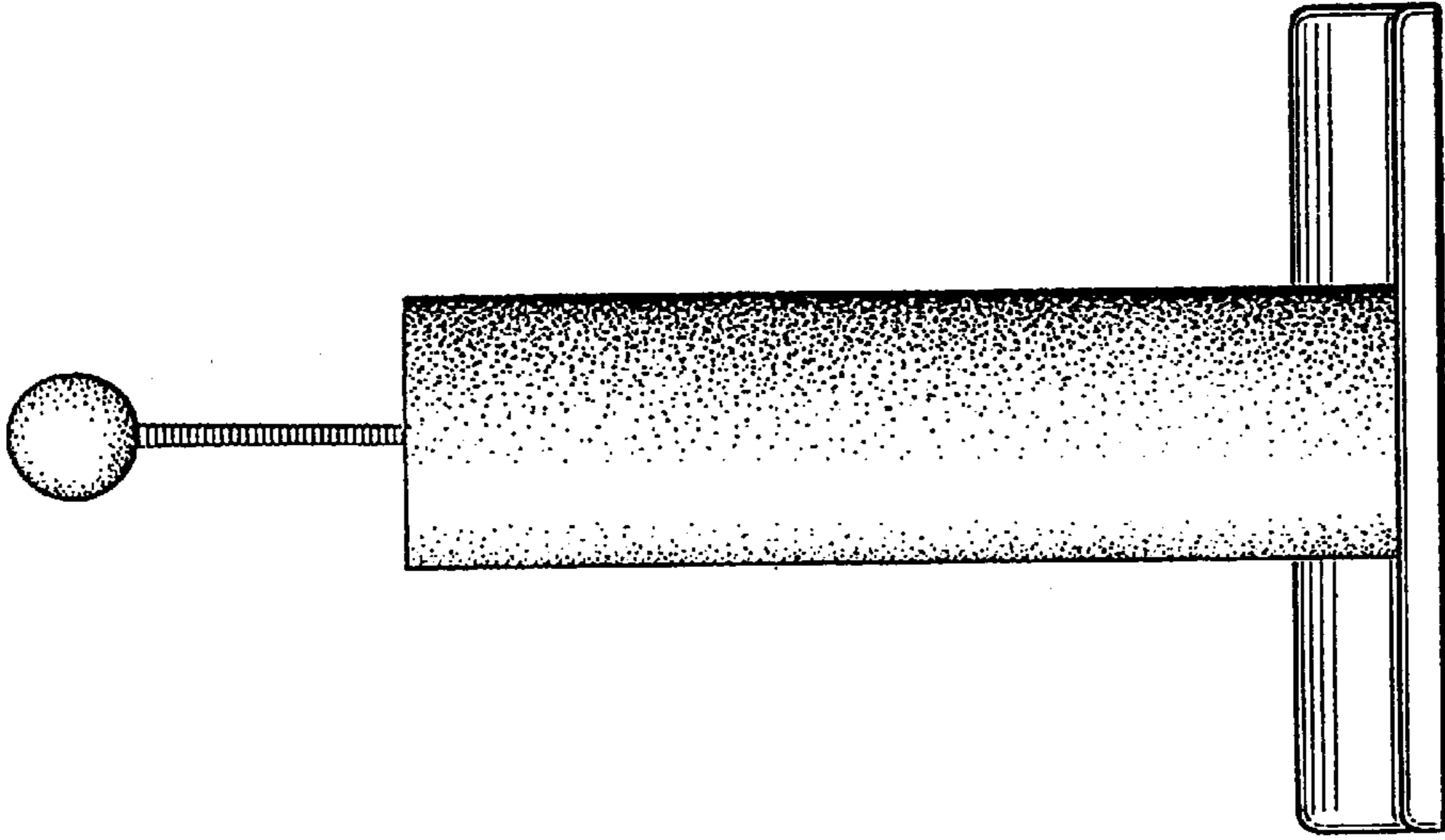


FIG 10

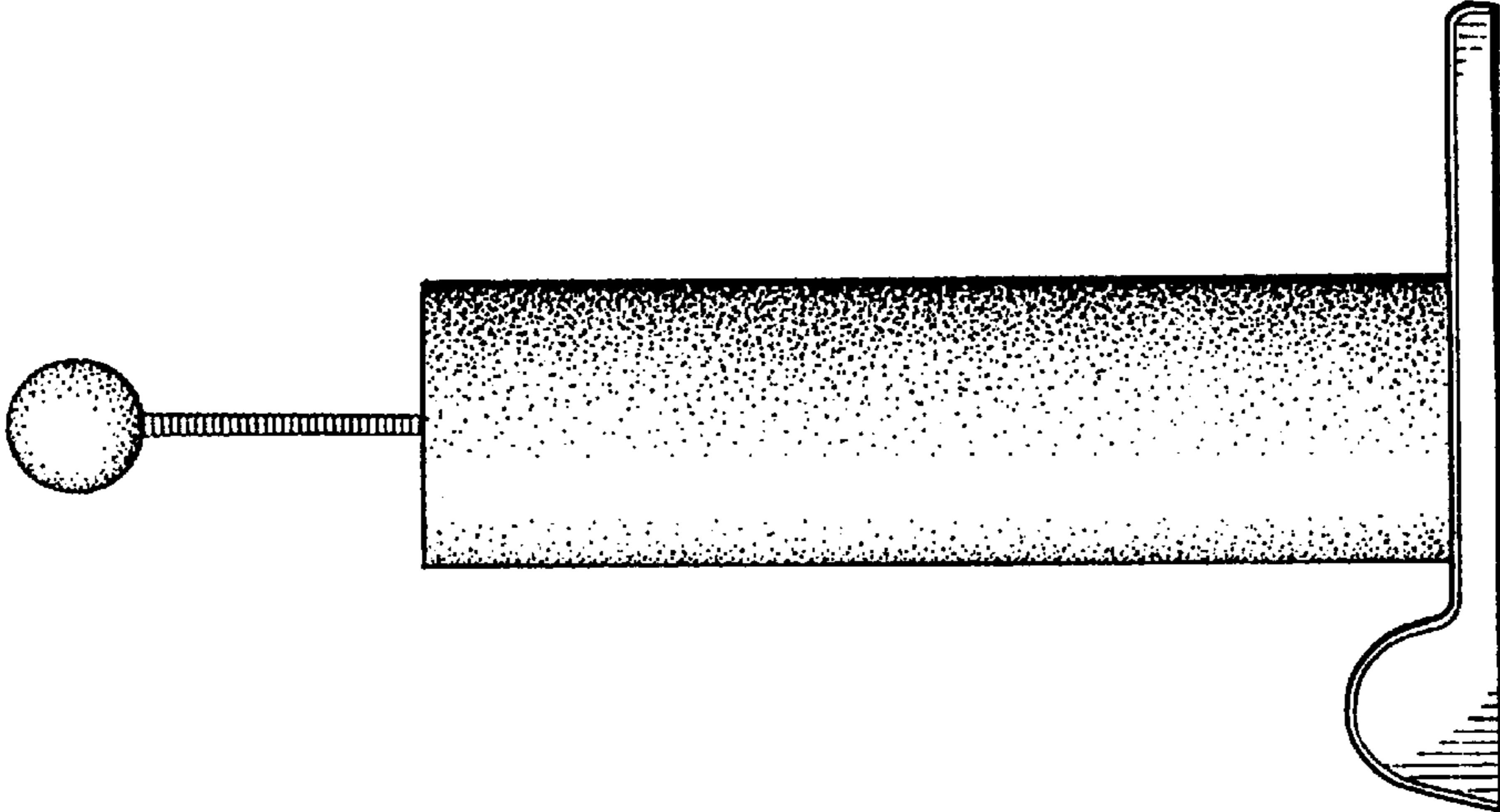


FIG 9

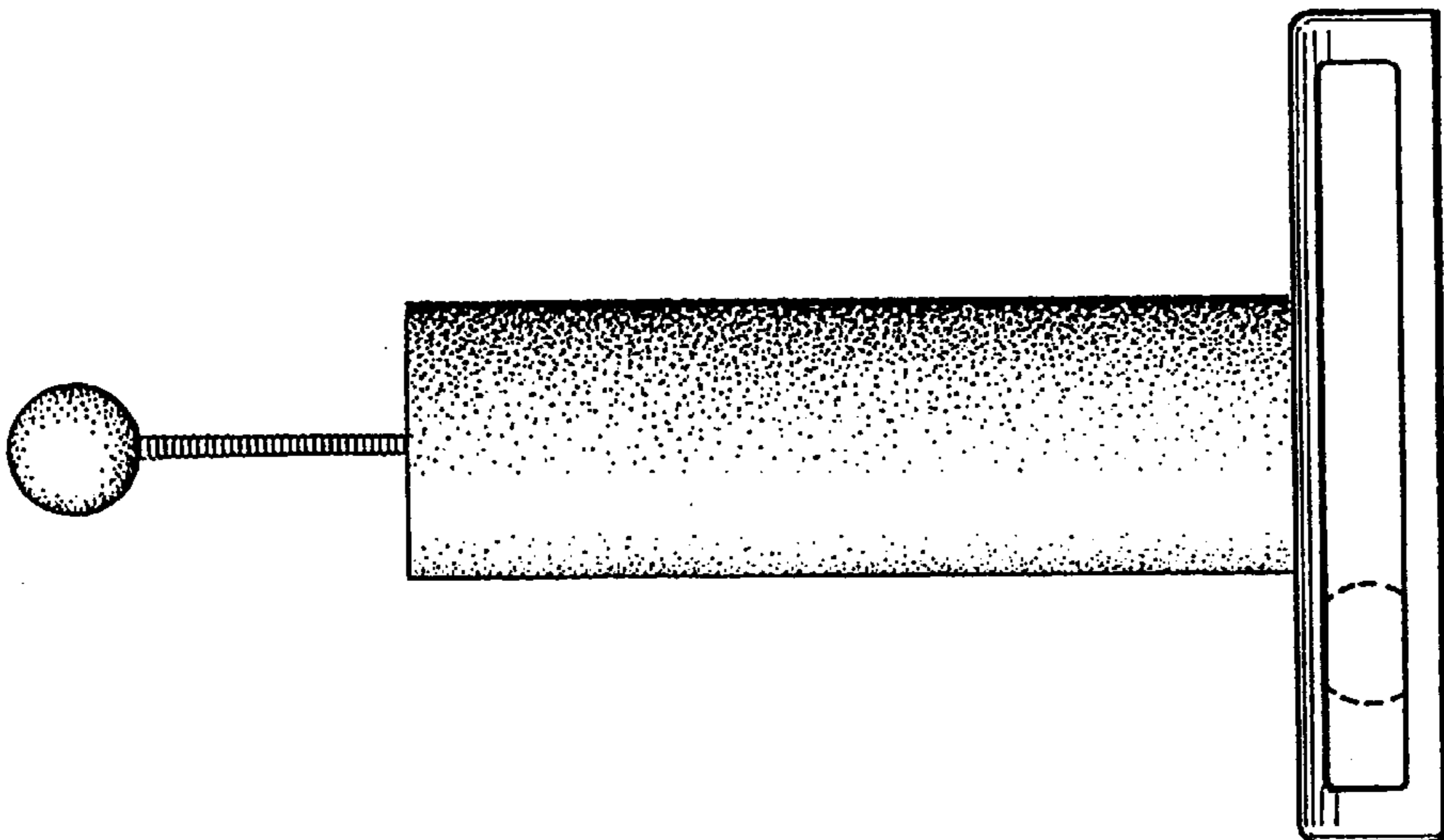


FIG 8

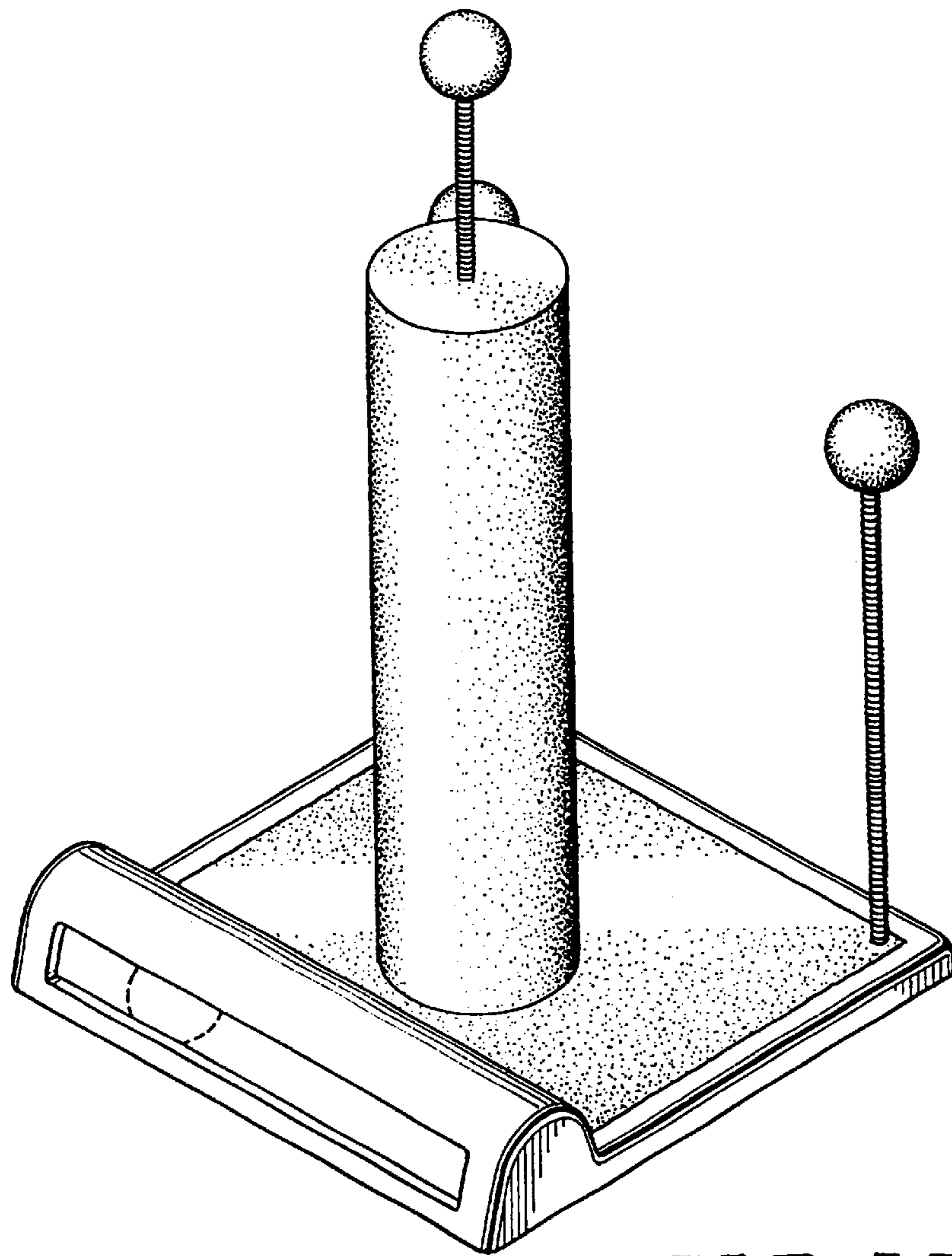


FIG 11

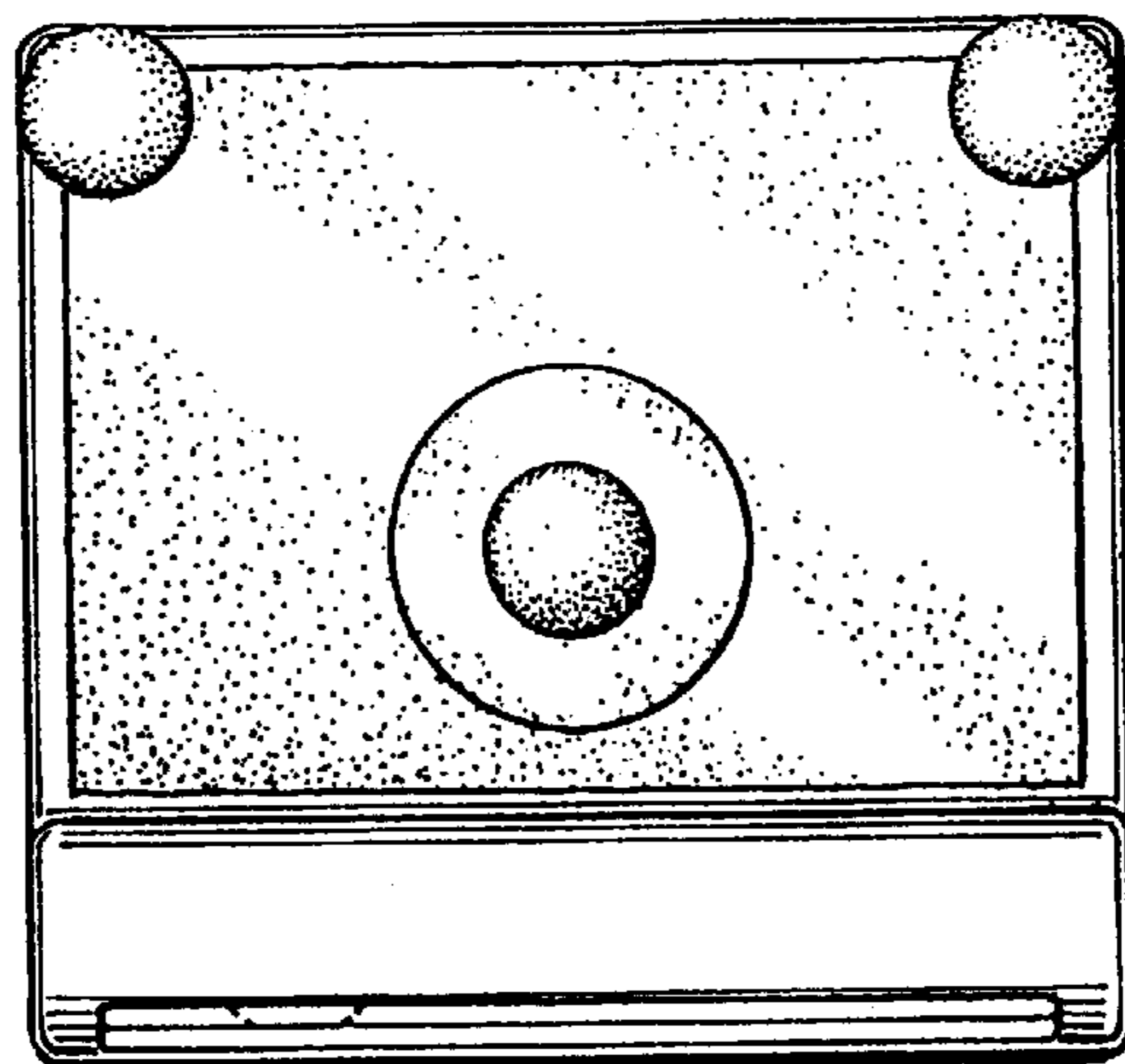


FIG 12

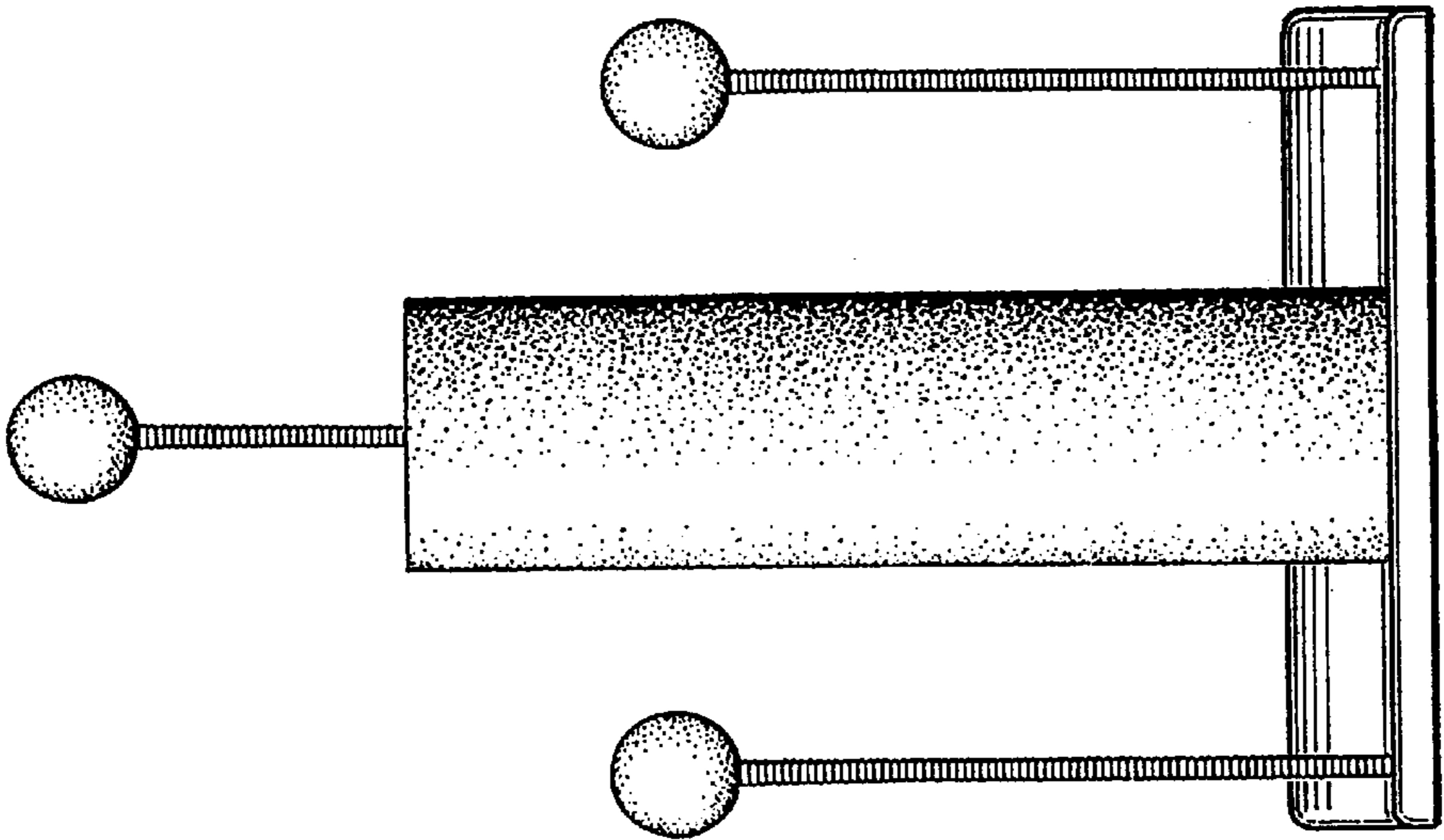


FIG 15

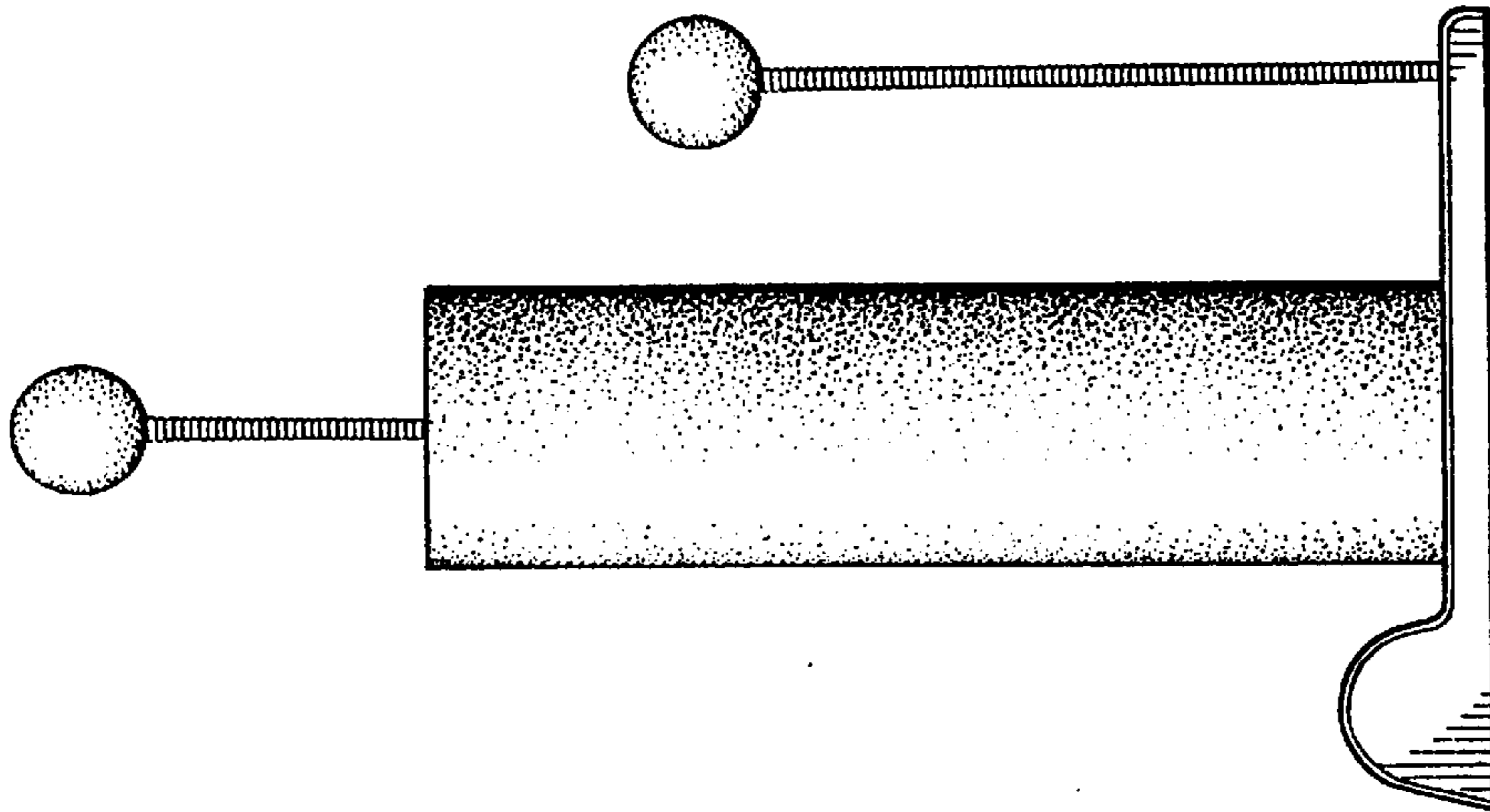


FIG 14

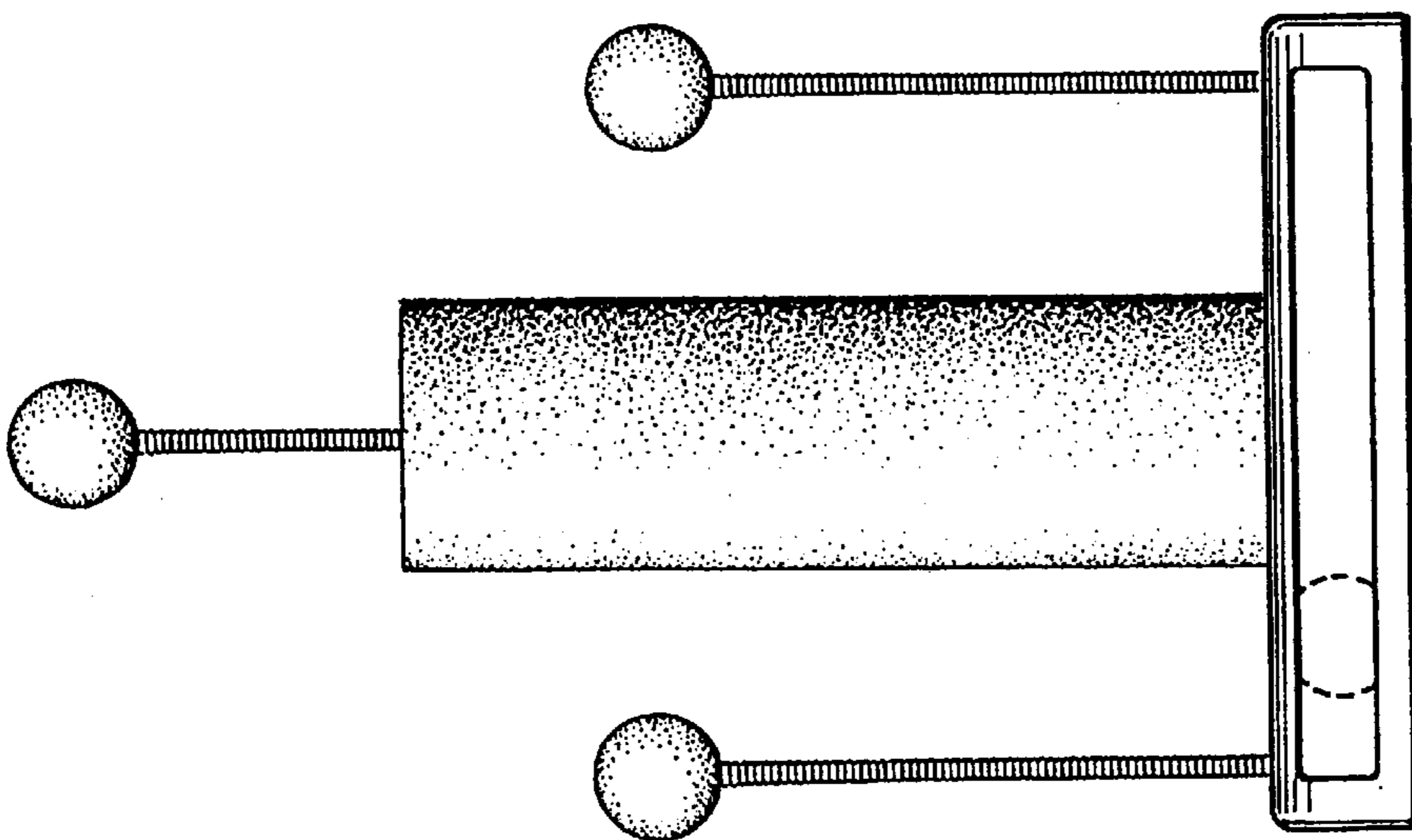


FIG 13