



US00D444598S

(12) **United States Design Patent**
McNeely et al.

(10) **Patent No.:** **US D444,598 S**

(45) **Date of Patent:** **** Jul. 3, 2001**

(54) **WILD BIRD FEEDER**

(75) Inventors: **Andrea McNeely; James Lesch**, both of Indianapolis, IN (US)

(73) Assignee: **Wild Birds Unlimited, Inc.**, Carmel, IN (US)

(**) Term: **14 Years**

(21) Appl. No.: **29/130,910**

(22) Filed: **Oct. 11, 2000**

(51) **LOC (7) Cl.** **30-03**

(52) **U.S. Cl.** **D30/126**

(58) **Field of Search** D30/126, 110-111, D30/124-128; 119/23, 83, 158-160, 69.5, 428-429, 432, 51.01, 52.01, 52.02, 57.8, 57.9

(56) **References Cited**

U.S. PATENT DOCUMENTS

- D. 120,350 * 5/1940 Moore D30/126
- D. 329,723 9/1992 Carpenter .
- D. 386,837 * 11/1997 Johnson D30/124
- D. 414,902 10/1999 Carpenter .
- D. 421,509 3/2000 Carpenter .
- D. 426,683 * 6/2000 Rogers D30/124
- D. 428,216 * 7/2000 Bonder et al. D30/124

OTHER PUBLICATIONS

- home.sprynet.com/wwws/birdfeeders.htm (various birdfeeders) Nov. 29, 2000.
- store.yahoo.com/duncraft/absquirpolfe.html (various birdfeeders) Nov. 29, 2000.
- www.allforthebirds.com/picnic.html (birdfeeder) Nov. 29, 2000.
- www.feedmorebirds.com/birdfeeders.htm (Various birdfeeders) Nov. 29, 2000.
- www.heritagefeeders.com/birdfeed.htm (Various birdfeeders) Nov. 29, 2000.
- www.shop-nc.com/DB/order1.asp?ID=86 (Various birdfeeders) Nov. 29, 2000.
- www.backyardbird.com/birdfeed.htm (Various birdfeeders) Nov. 29, 2000.
- www.nvo.com/larkat (Various birdfeeders) Nov. 29, 2000.

www.shopwbu.com/Merchant2/merchant.mv?Screen=CTGY&Store_Code=shopwbu& . . . (Various birdfeeders) Nov. 29, 2000.

www.wildbirdcenters.com/cgi-bin/carbo.exe?icatcommand=catpg&subsecid=FDR&pa . . . (Various birdfeeders) Nov. 29, 2000.

www.wildbirdhouse.com/woodlink2.htm (Various birdfeeders) Nov. 29, 2000.

www.wildbirdhouse.com/woodenewe.htm (Various birdfeeders) Nov. 29, 2000.

www.wildbirdkalamazoo.com/products.html (Various birdfeeders) Nov. 29, 2000.

www.wildbirdmart.com/wildbirdmart/mega25.html (Various birdfeeders) Nov. 29, 2000.

* cited by examiner

Primary Examiner—Pamela Burgess

(74) *Attorney, Agent, or Firm*—E. Victor Indiano

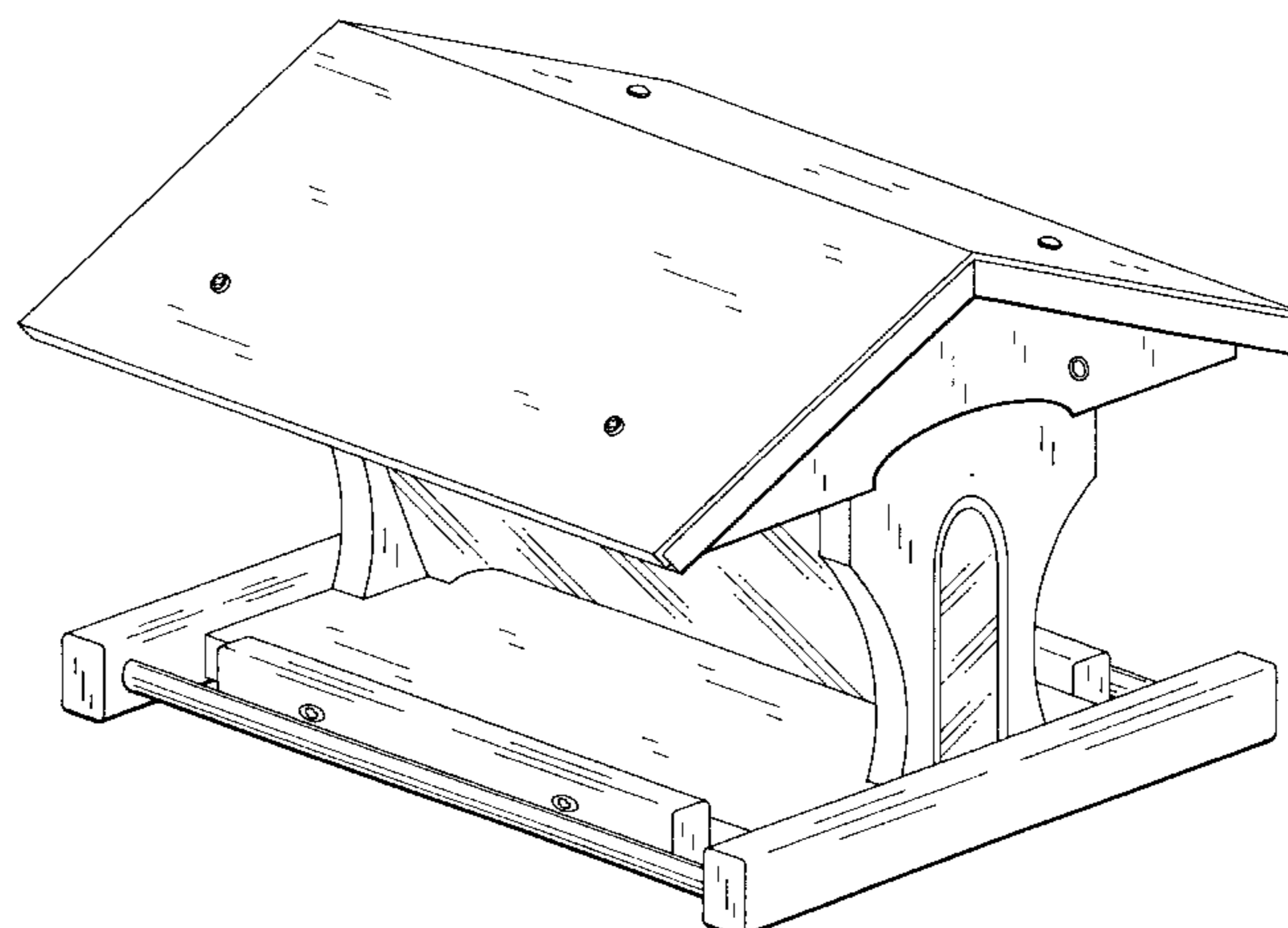
(57) **CLAIM**

The ornamental design for the wild bird feeder, as shown and described.

DESCRIPTION

- FIG. 1 is a top, right, front perspective view of a wild bird feeder showing our new design;
- FIG. 2 is a front elevational view thereof;
- FIG. 3 is a left side elevational view thereof;
- FIG. 4 is a right side elevational view thereof;
- FIG. 5 is a rear elevational view thereof;
- FIG. 6 is a top elevational view thereof;
- FIG. 7 is a bottom view thereof;
- FIG. 8 is a front elevational view thereof, showing the roof in its raised position;
- FIG. 9 is a right elevational view thereof, showing the roof in its raised position;
- FIG. 10 is a rear elevational view thereof, showing the roof in its raised position;
- FIG. 11 is a top, left, rear perspective view of a wild bird feeder showing an alternate embodiment of our new design;
- FIG. 12 is a left side elevational view thereof; and,
- FIG. 13 is a left side elevational view thereof, showing the roof in its raised position.

1 Claim, 11 Drawing Sheets



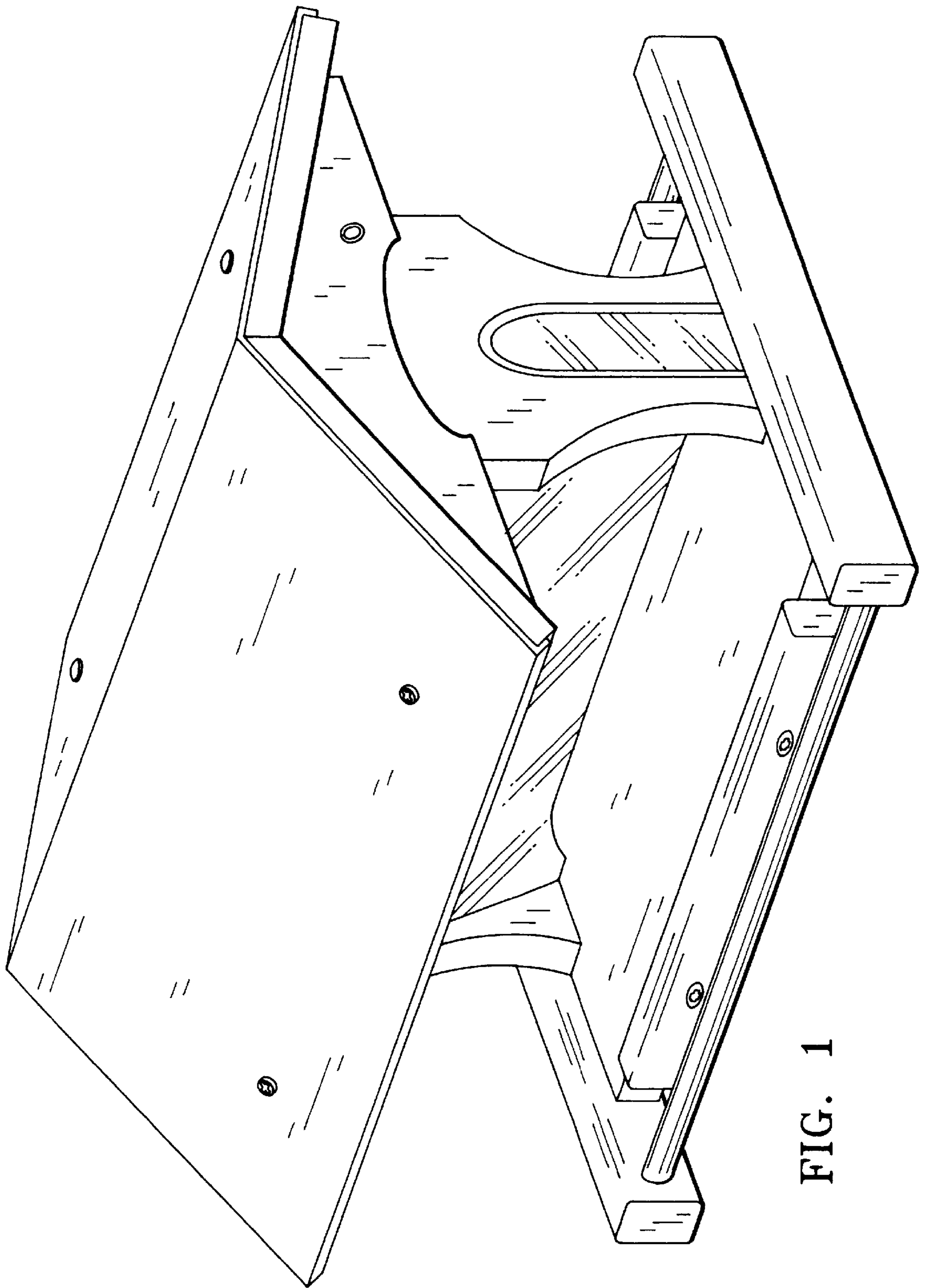


FIG. 1

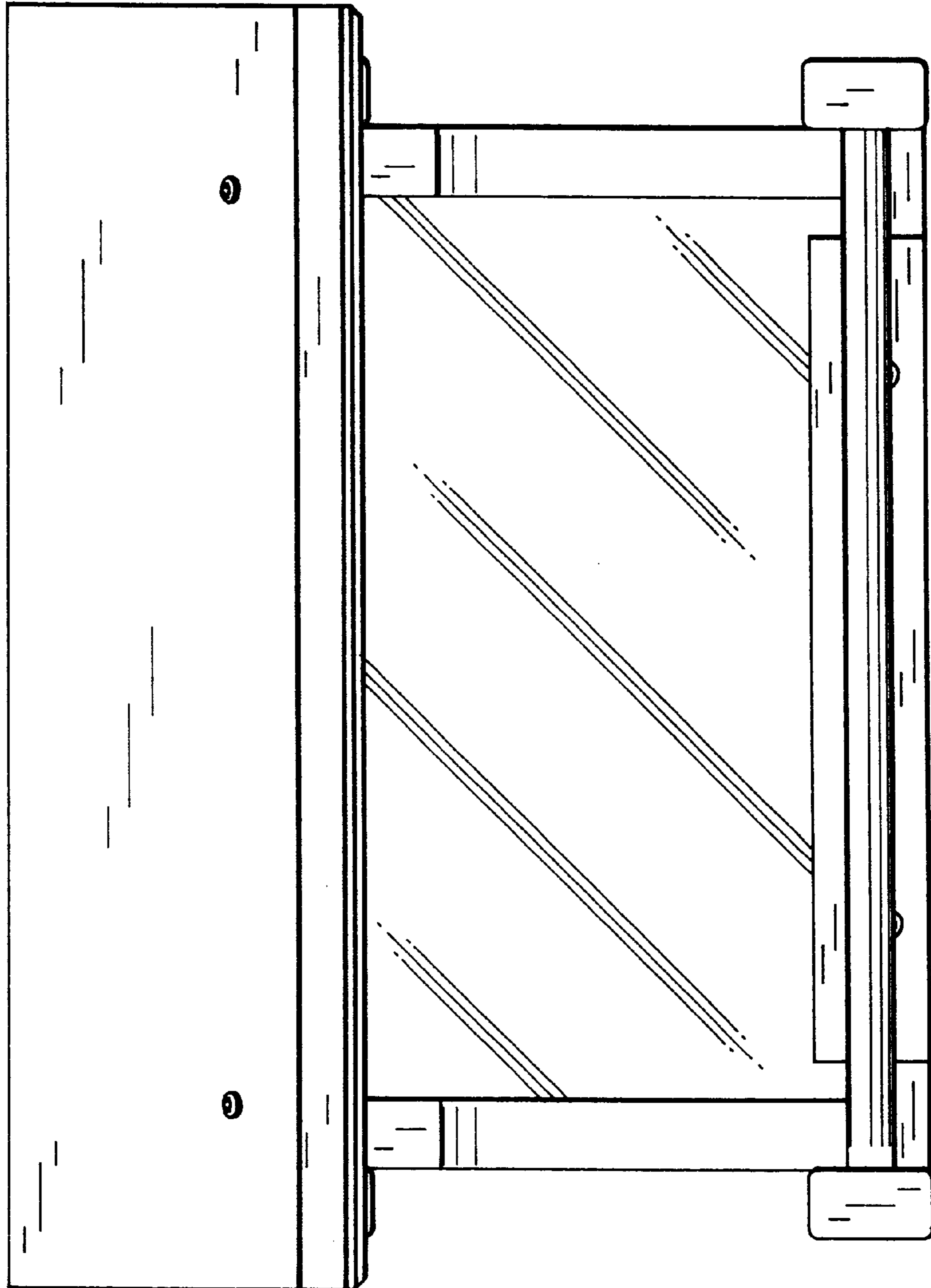


FIG. 2

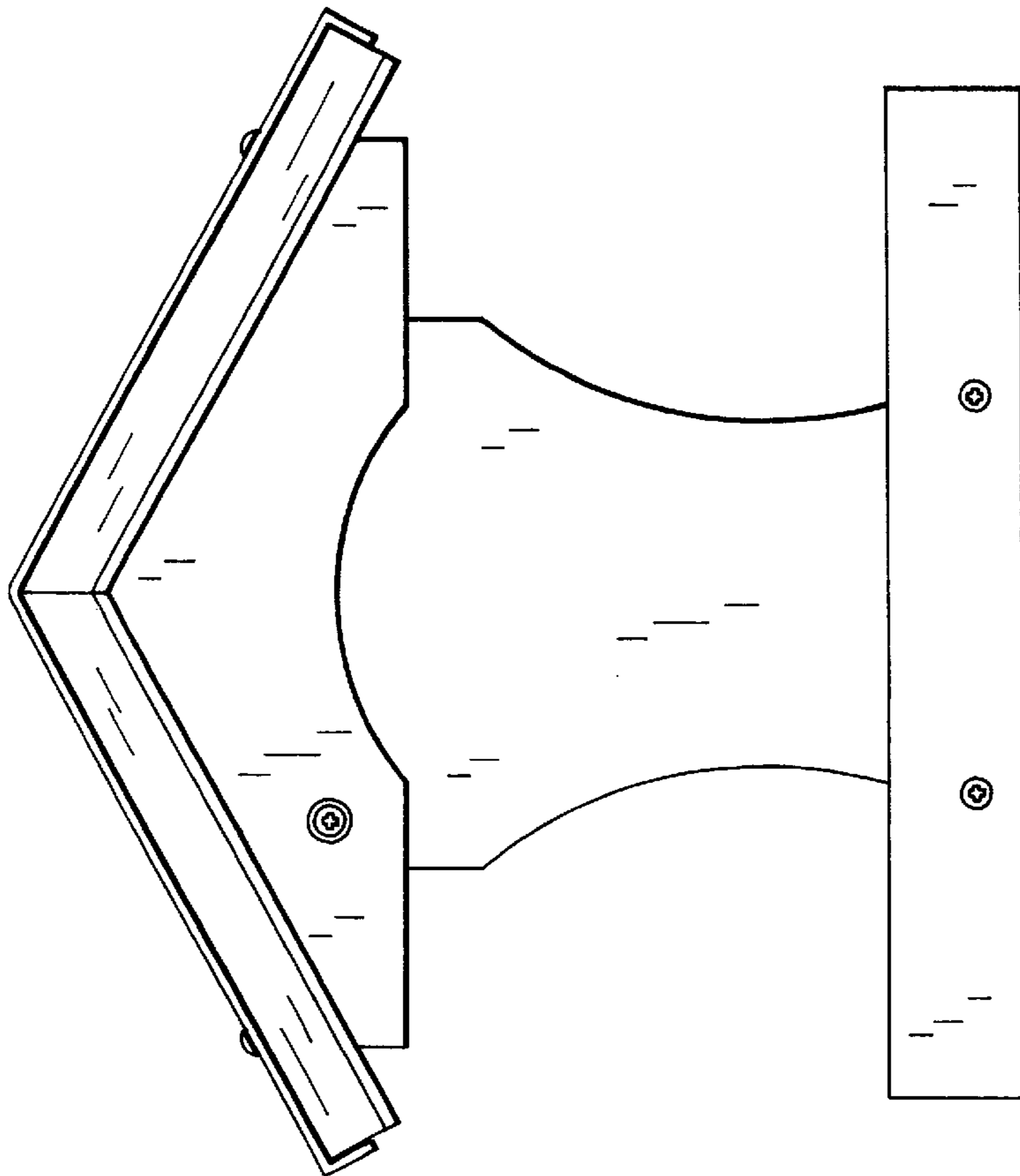


FIG. 3

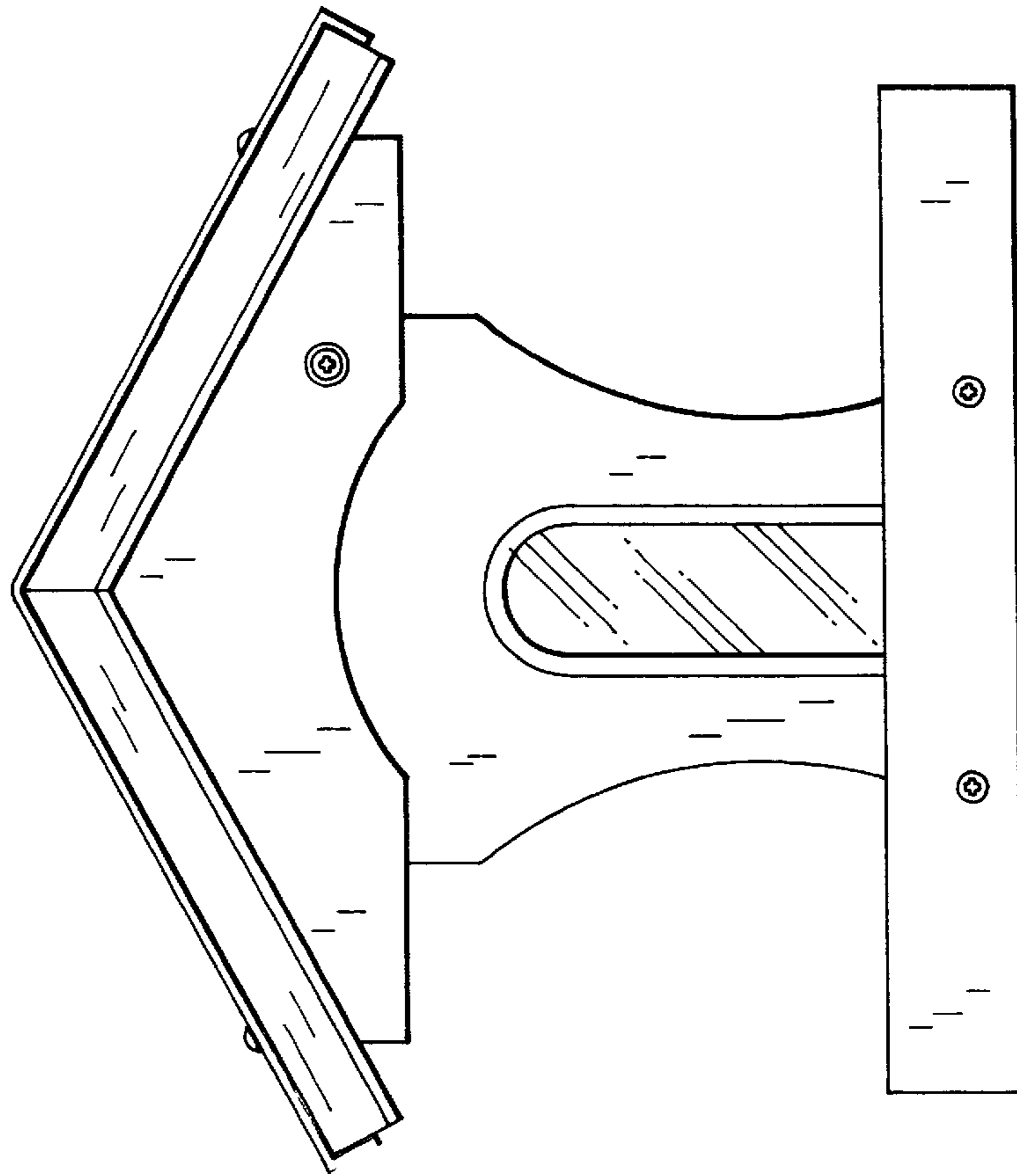


FIG. 4

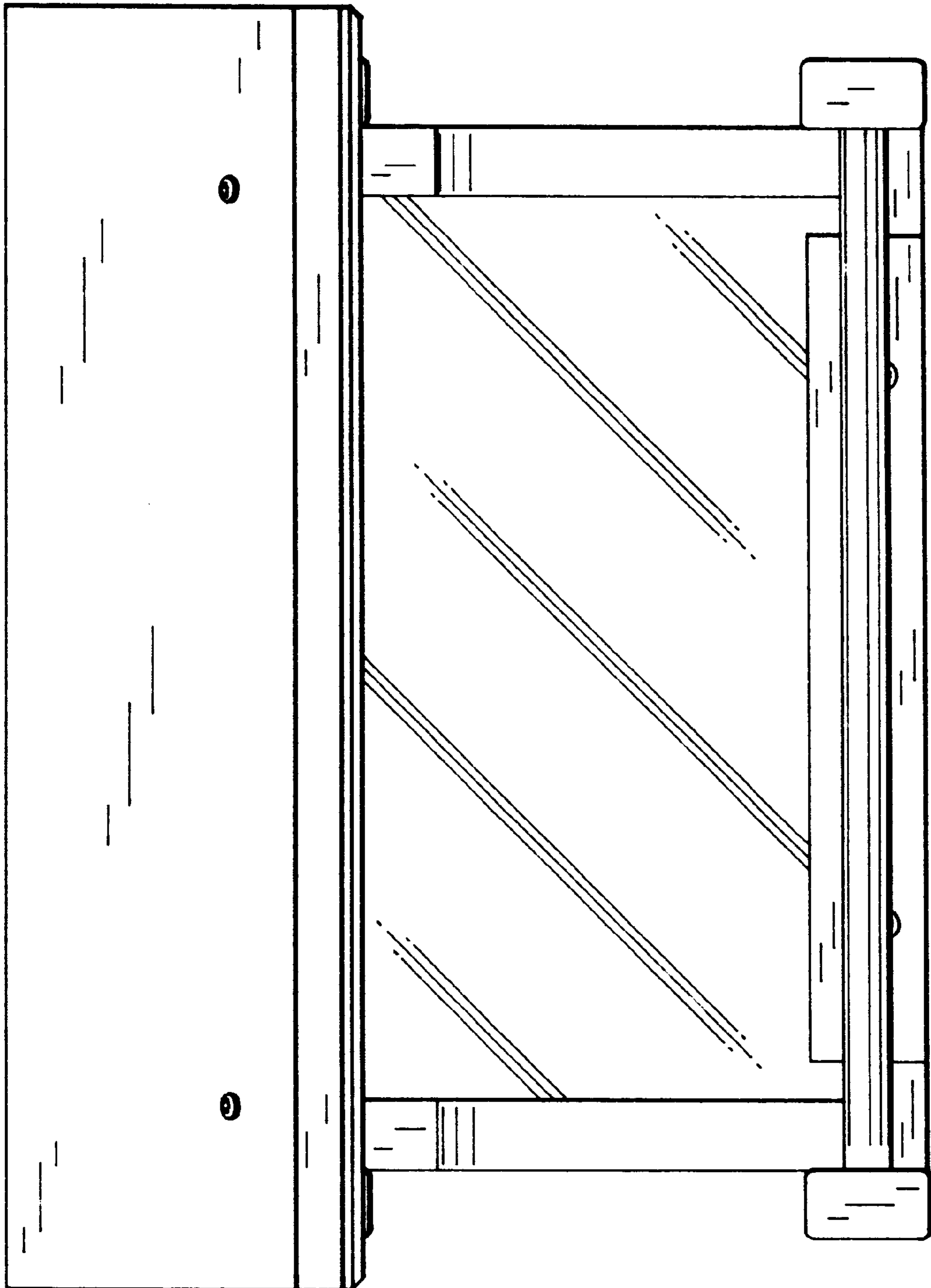


FIG. 5

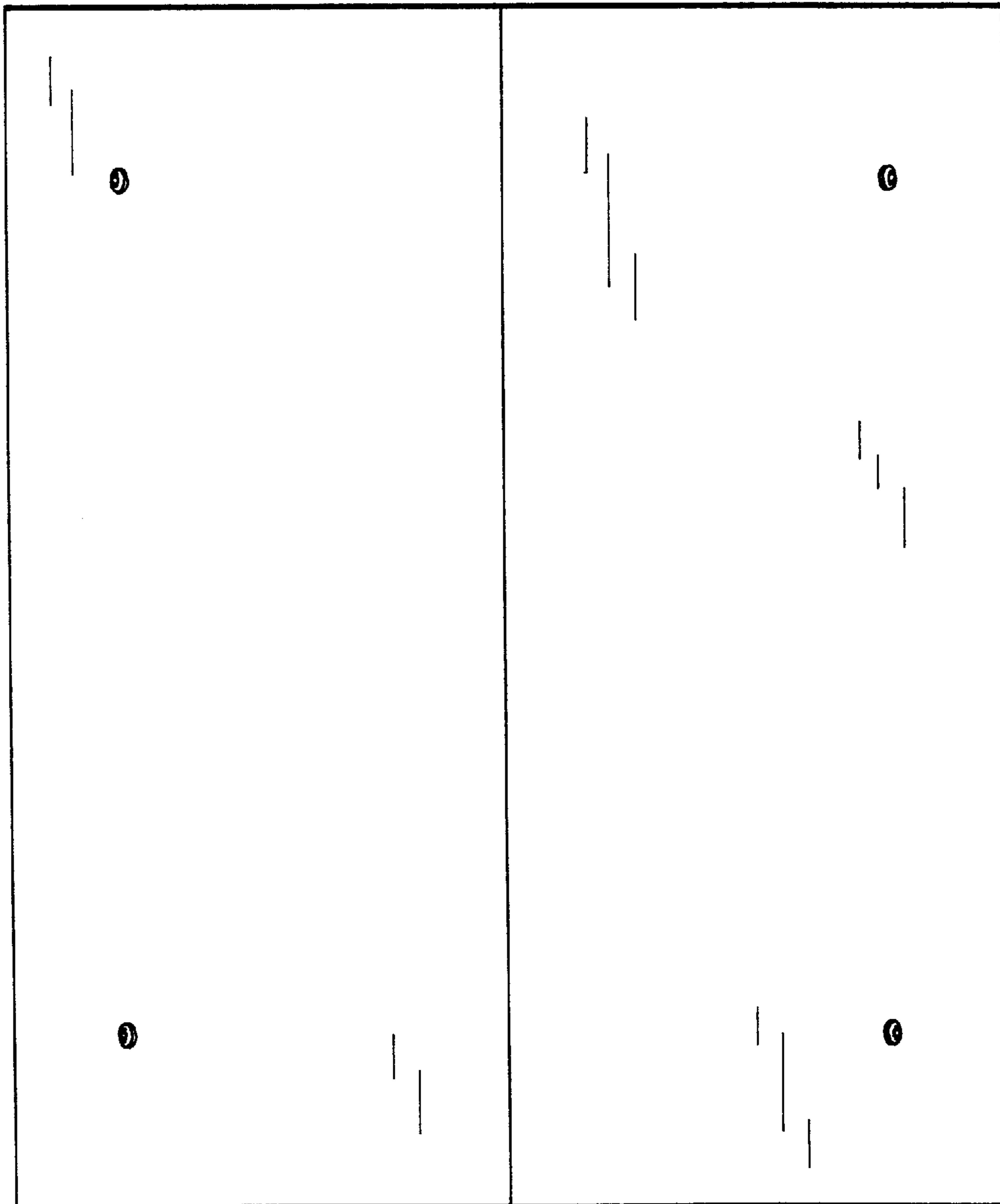


FIG. 6

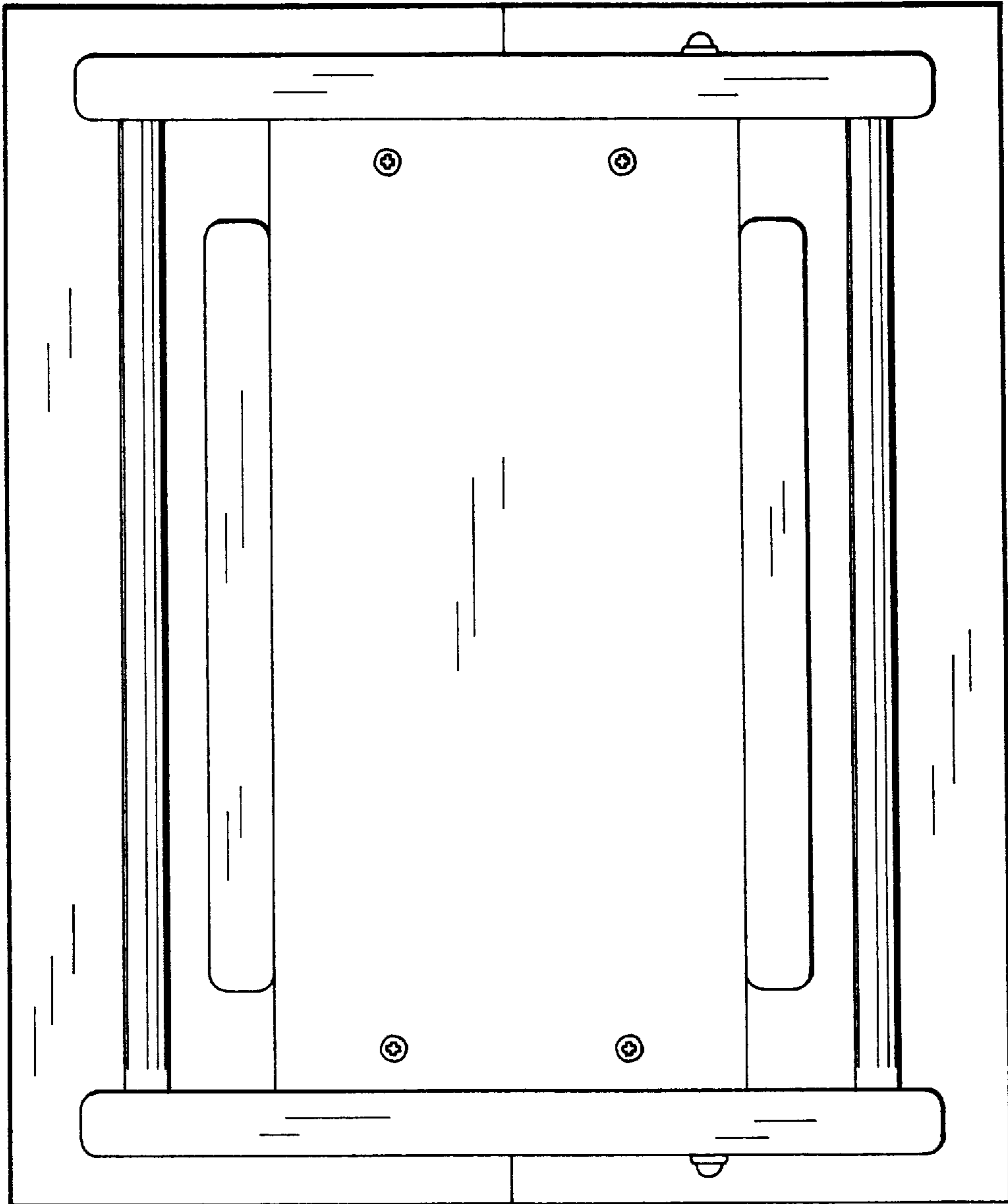


FIG. 7

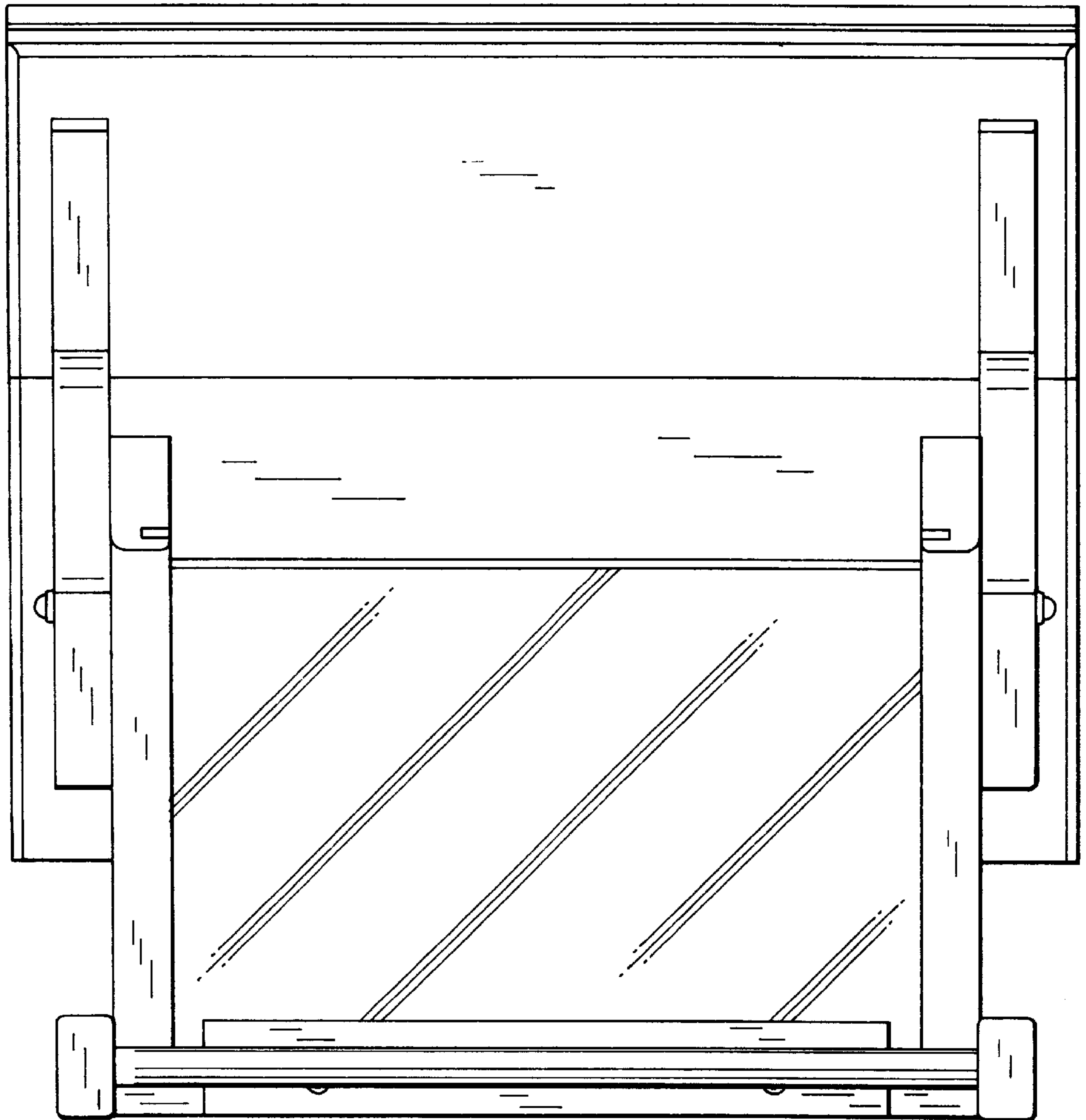


FIG. 8

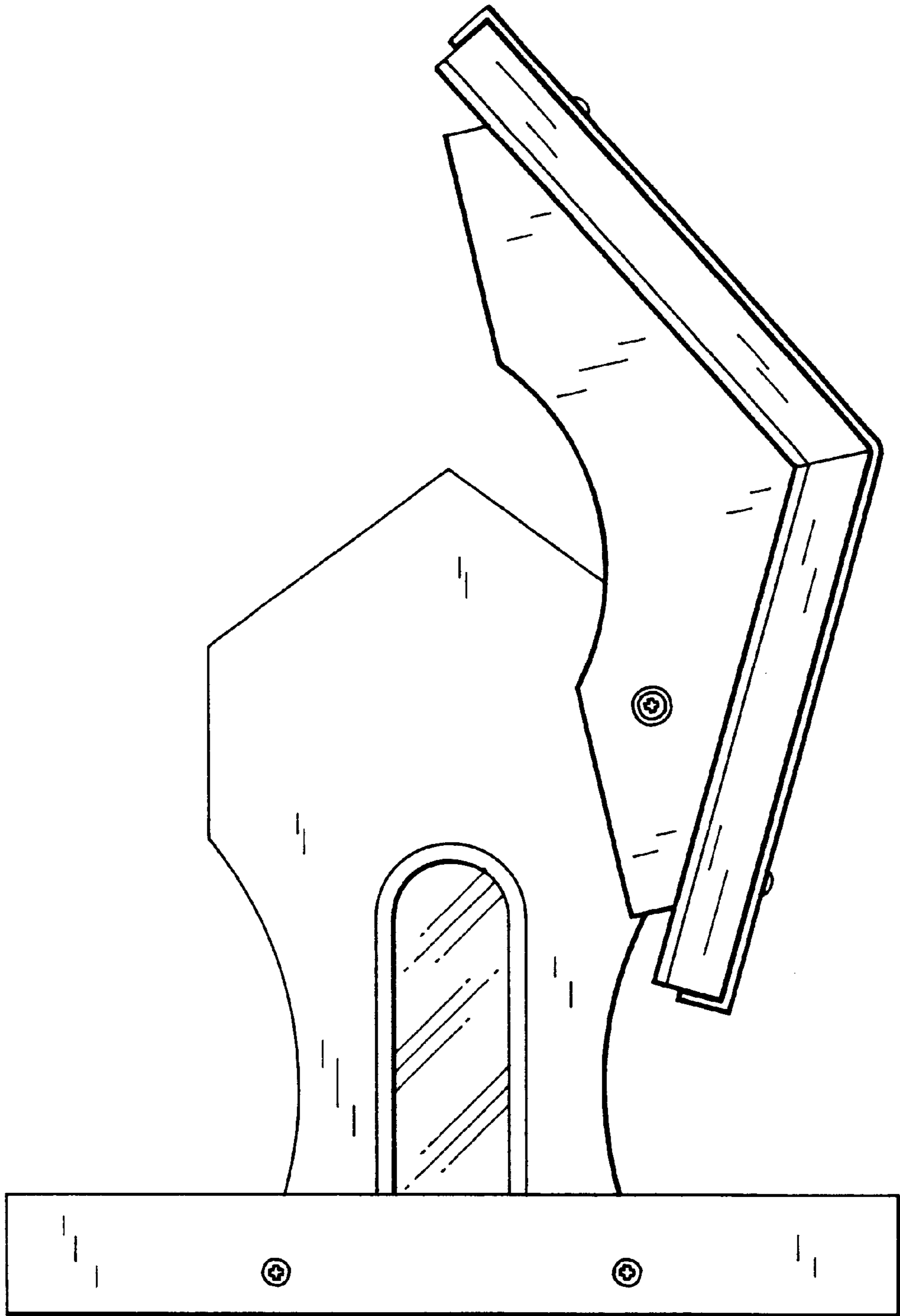


FIG. 9

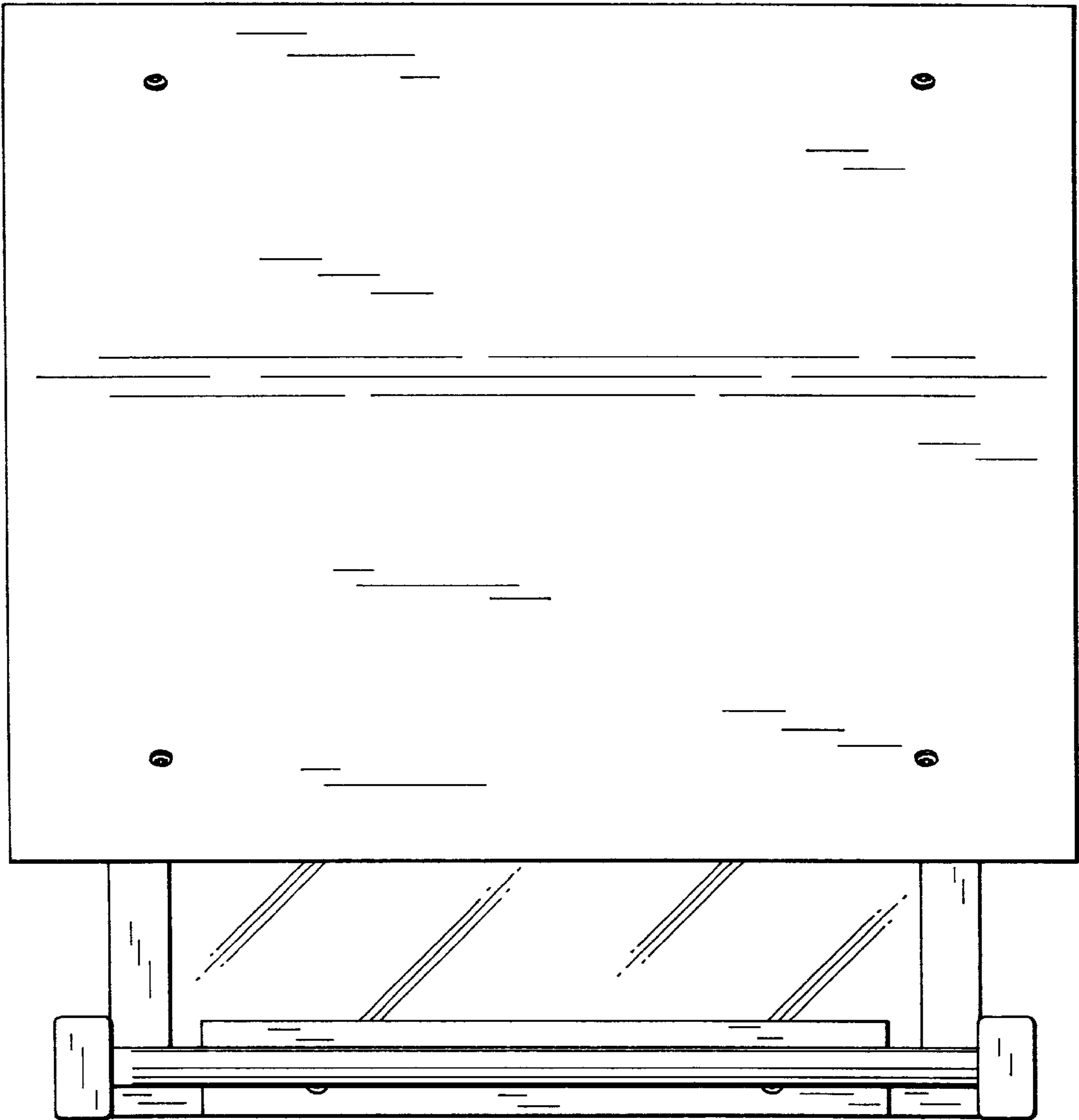


FIG. 10

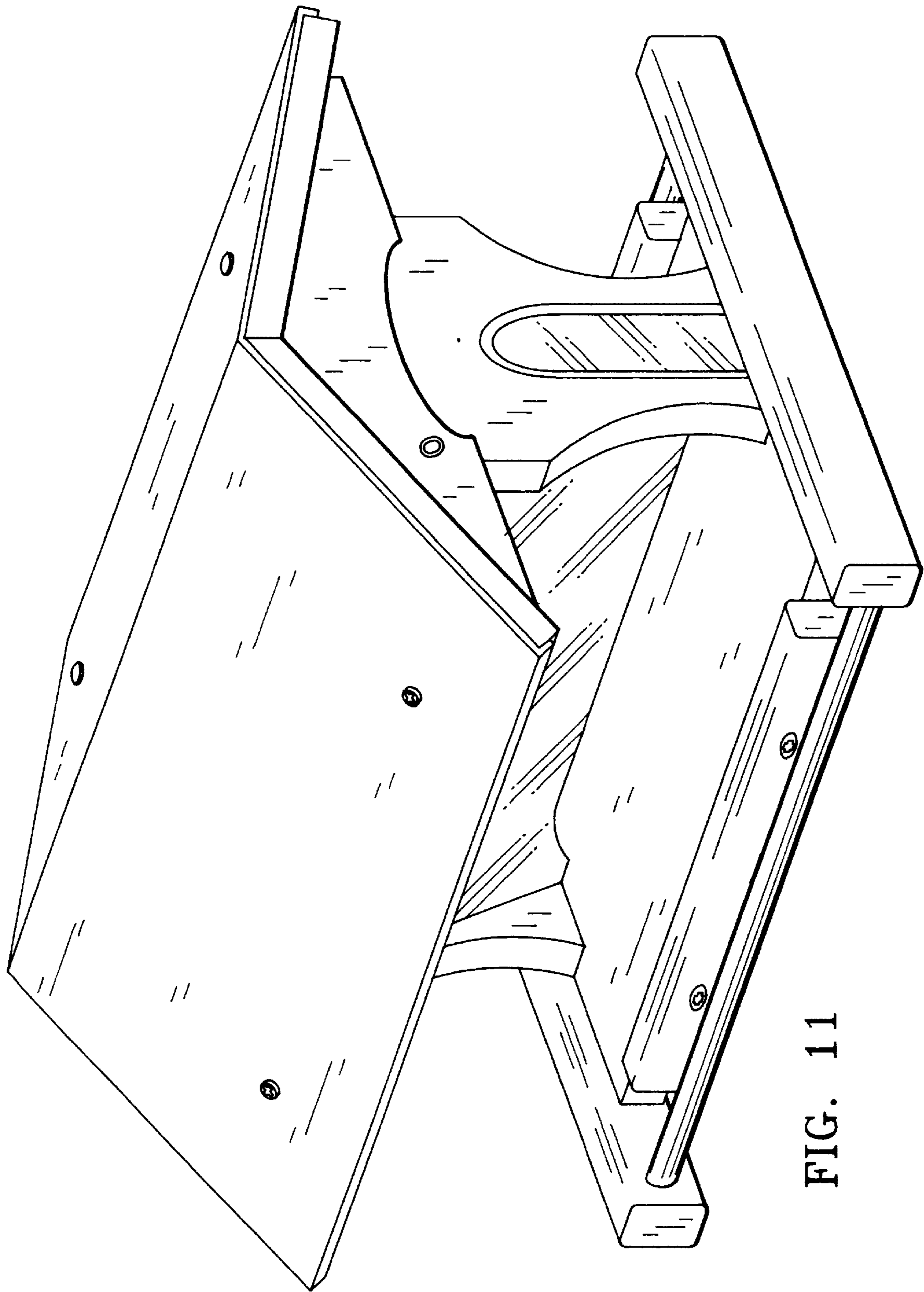


FIG. 11

