



US00D444596S

(12) **United States Design Patent**
Lai

(10) **Patent No.:** **US D444,596 S**

(45) **Date of Patent:** **** Jul. 3, 2001**

(54) **COSMETICS BOX WITH MULTI-LAYER MEANS**

(75) **Inventor:** **Chin-Chun Lai**, Hsinchu (TW)

(73) **Assignee:** **Chao Ling Chemical Ind. Co., Ltd.**,
Hsinchu (TW)

(**) **Term:** **14 Years**

(21) **Appl. No.:** **29/132,008**

(22) **Filed:** **Oct. 30, 2000**

(51) **LOC (7) Cl.** **28-03**

(52) **U.S. Cl.** **D28/82**

(58) **Field of Search** D28/76-84, 73;
D9/341, 347, 420, 423; D3/205, 273-275,
294-296, 297, 901; 132/286, 294-297,
300, 314, 315; 206/581, 823, 235; 220/DIG. 26

(56) **References Cited**

U.S. PATENT DOCUMENTS

D. 350,625	*	9/1994	Shen	D28/82
D. 363,569	*	10/1995	Lai	D28/82
D. 373,221	*	8/1996	Lai	D28/83
5,025,817	*	6/1991	Wen	132/296

OTHER PUBLICATIONS

Beauty Boutique Spring 1994, p. 11: item No. 2 on upper right.*

Hong Kong Enterprise Oct. 1995, p. 790; item No. 9303.*

* cited by examiner

Primary Examiner—Philip S. Hyder

Assistant Examiner—C. Tuttle

(57) **CLAIM**

The ornamental design for a cosmetics box with multi-layer means, as shown and described.

DESCRIPTION

FIG. 1 is a perspective view of cosmetics box with multi-layer means showing my new design;

FIG. 2 is a front elevational view thereof;

FIG. 3 is a rear elevational view thereof;

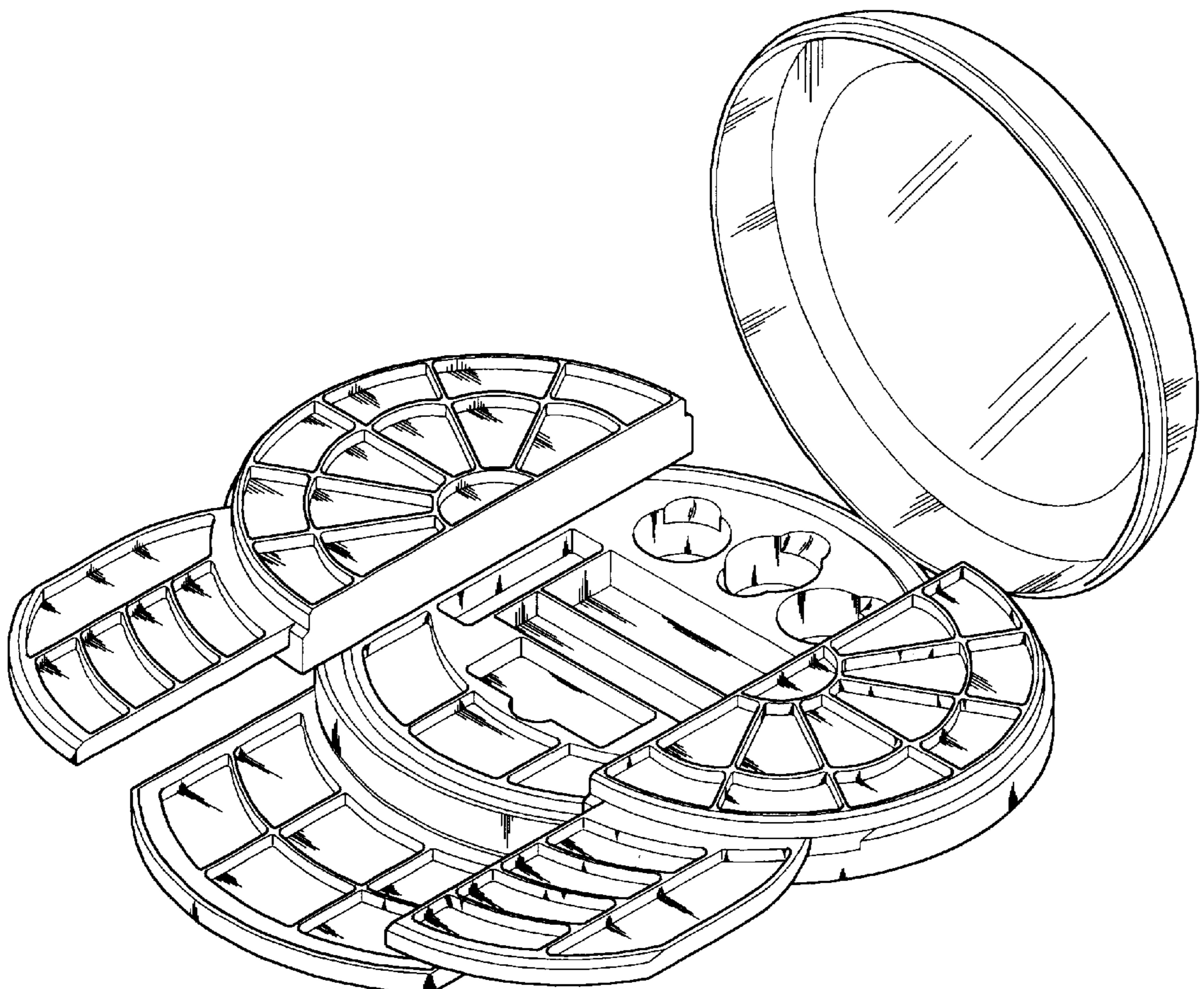
FIG. 4 is a left side elevational view thereof;

FIG. 5 is right side elevational view thereof;

FIG. 6 is a top view thereof; and,

FIG. 7 is a bottom view thereof.

1 Claim, 4 Drawing Sheets



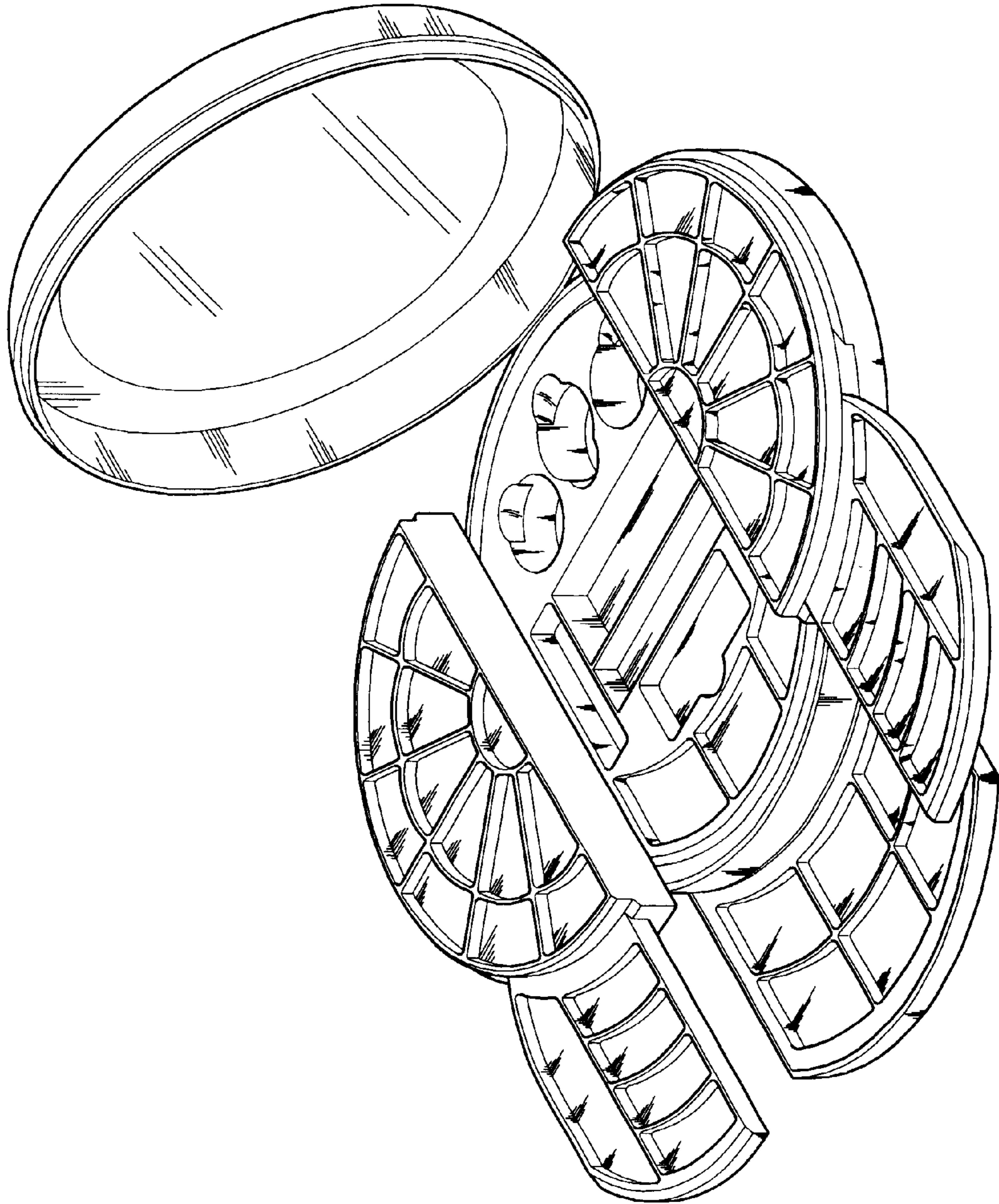


Fig. 1

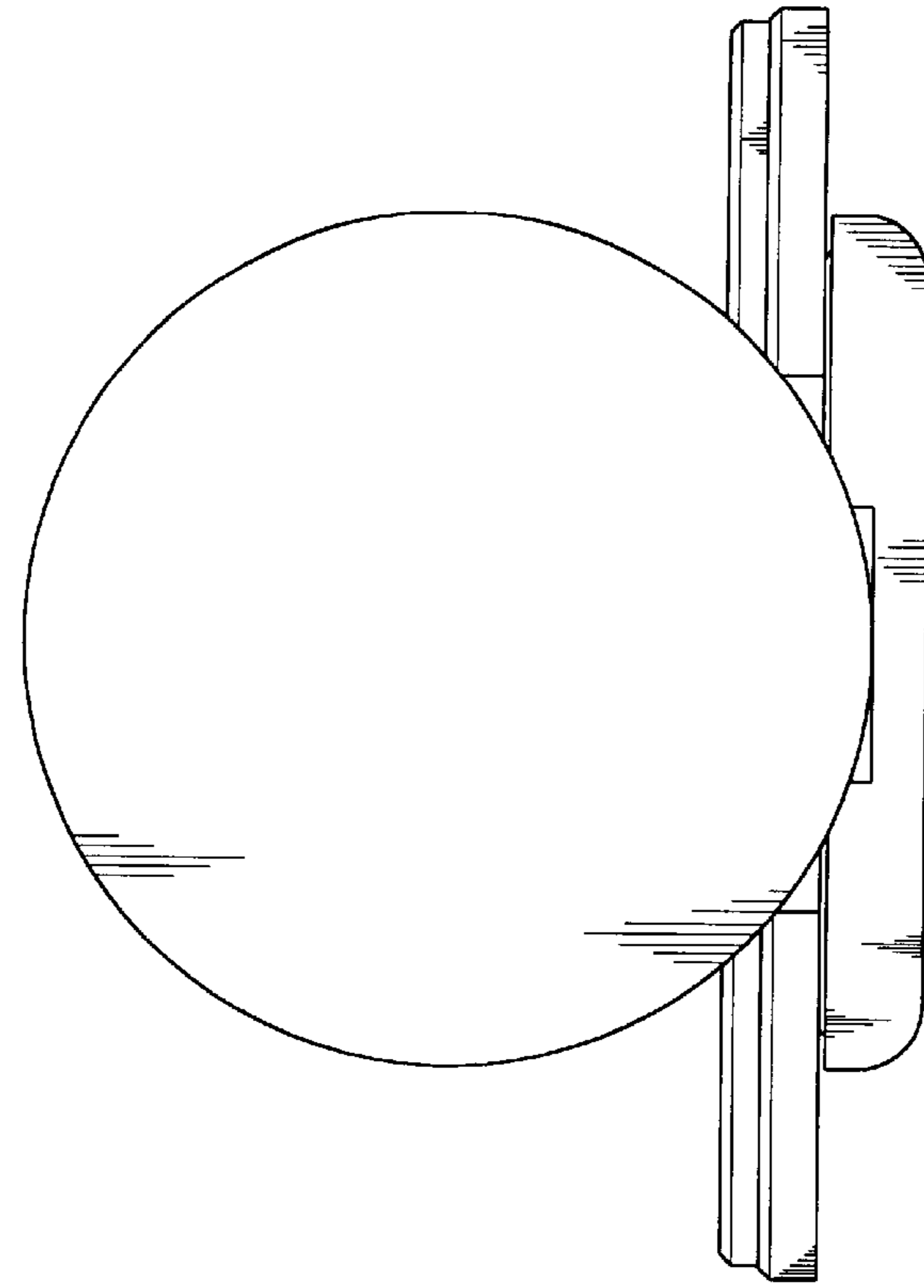


Fig.3

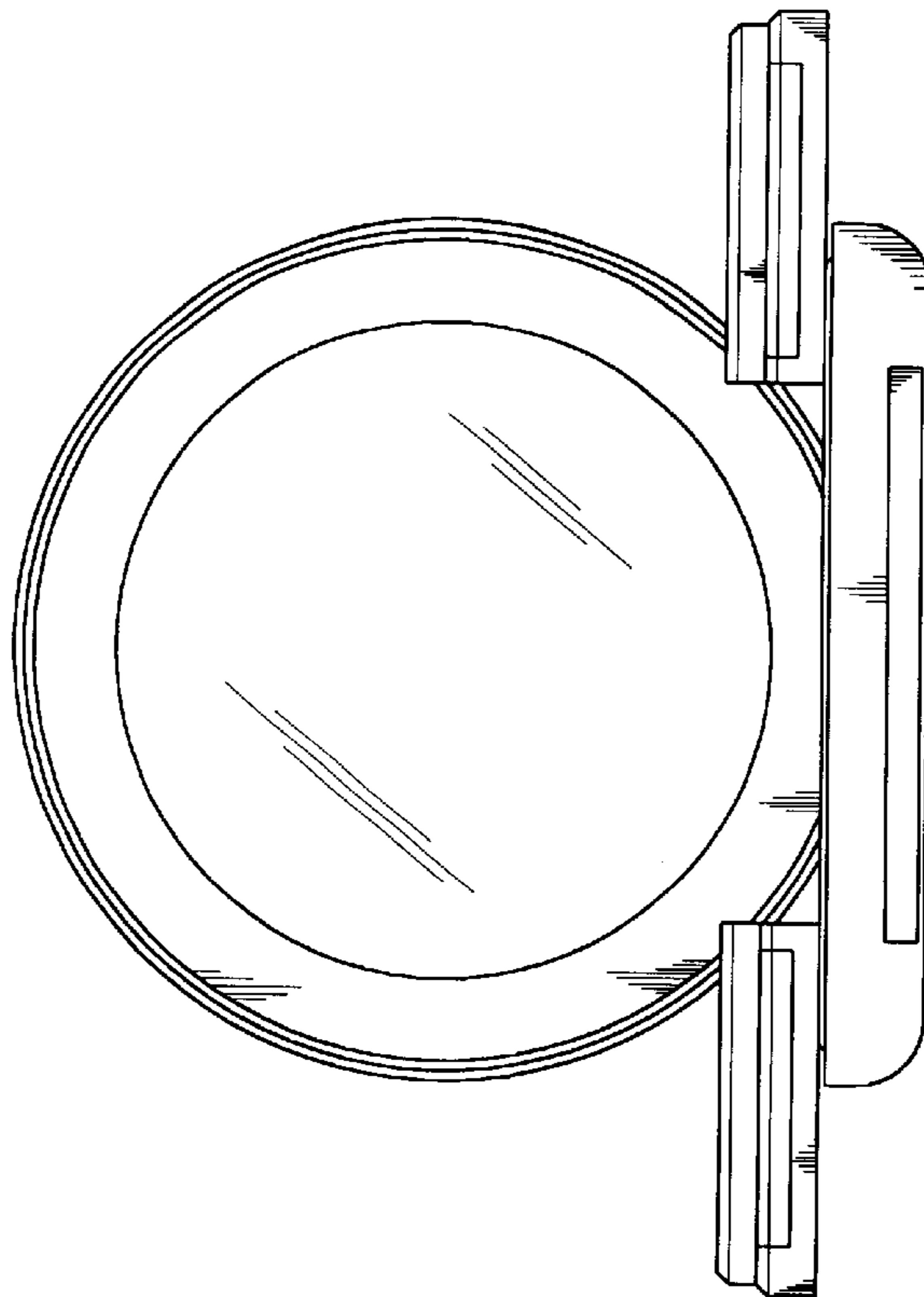


Fig.2

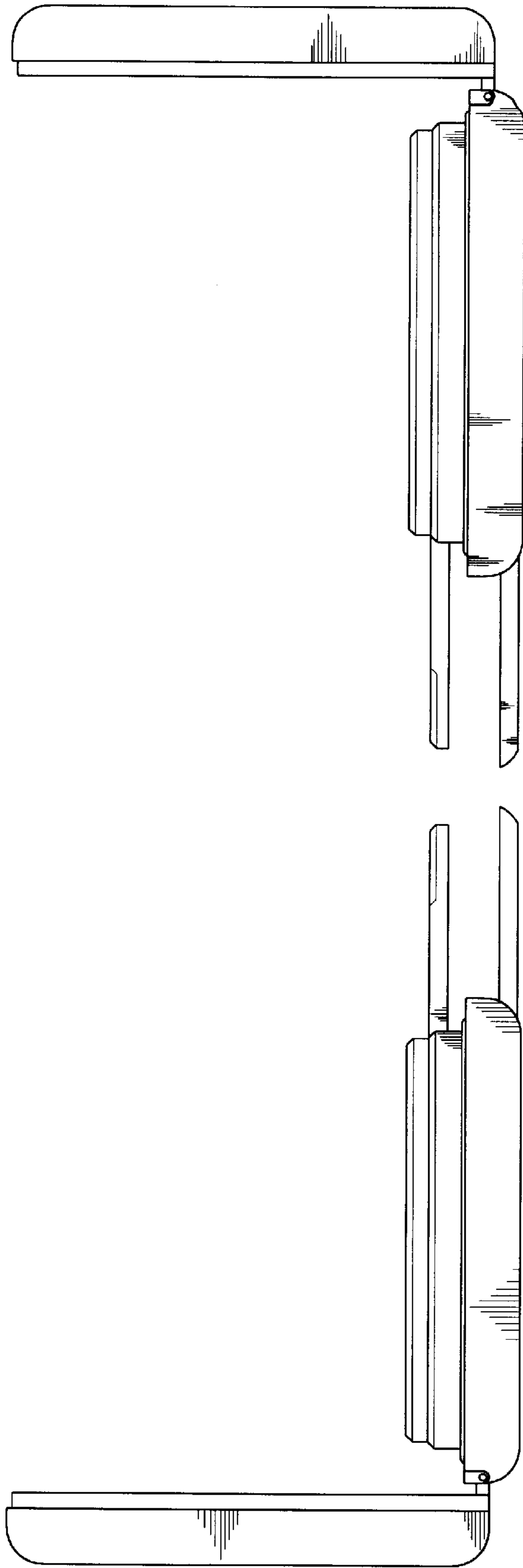


Fig.5

Fig.4

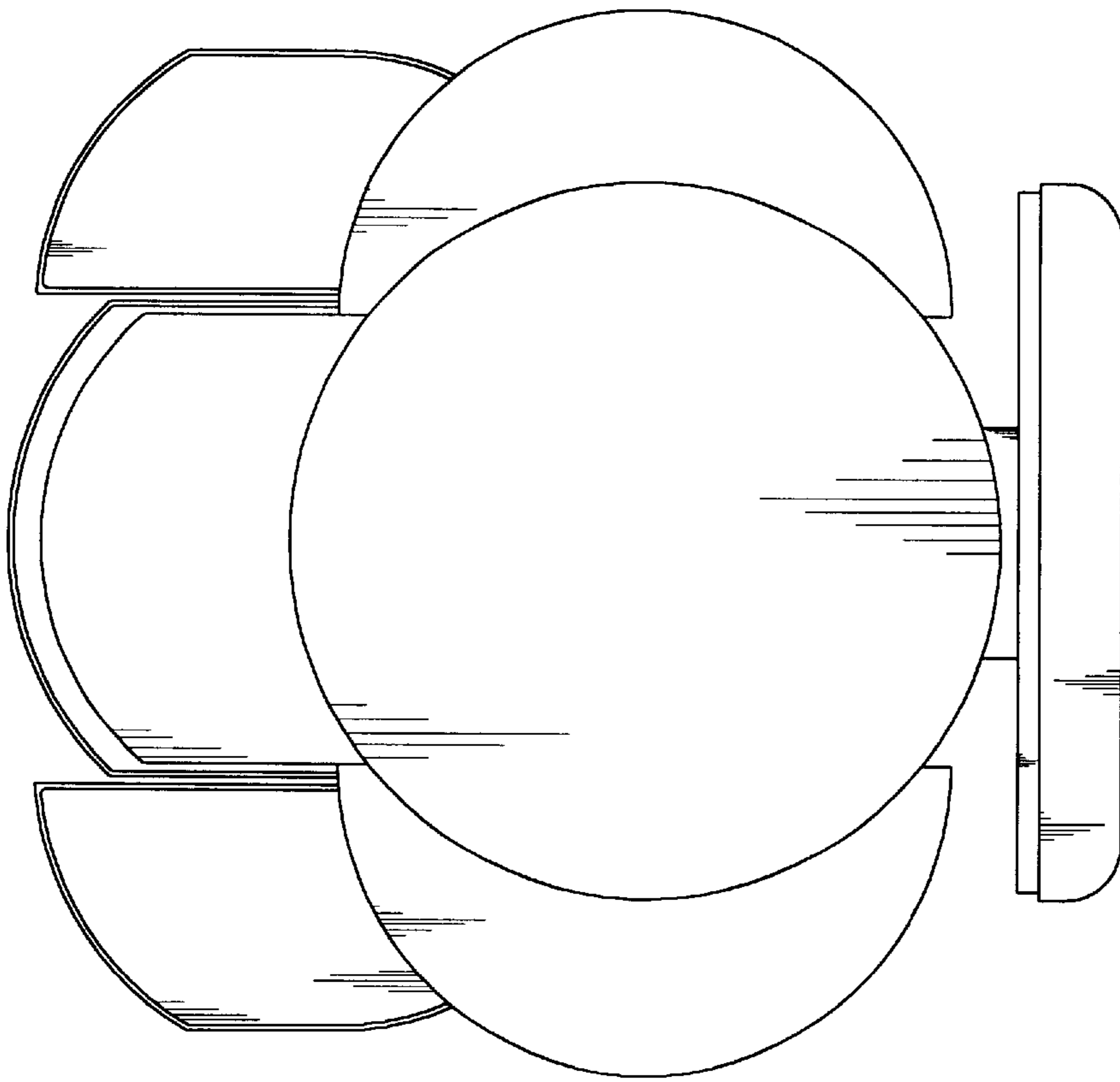


Fig. 7

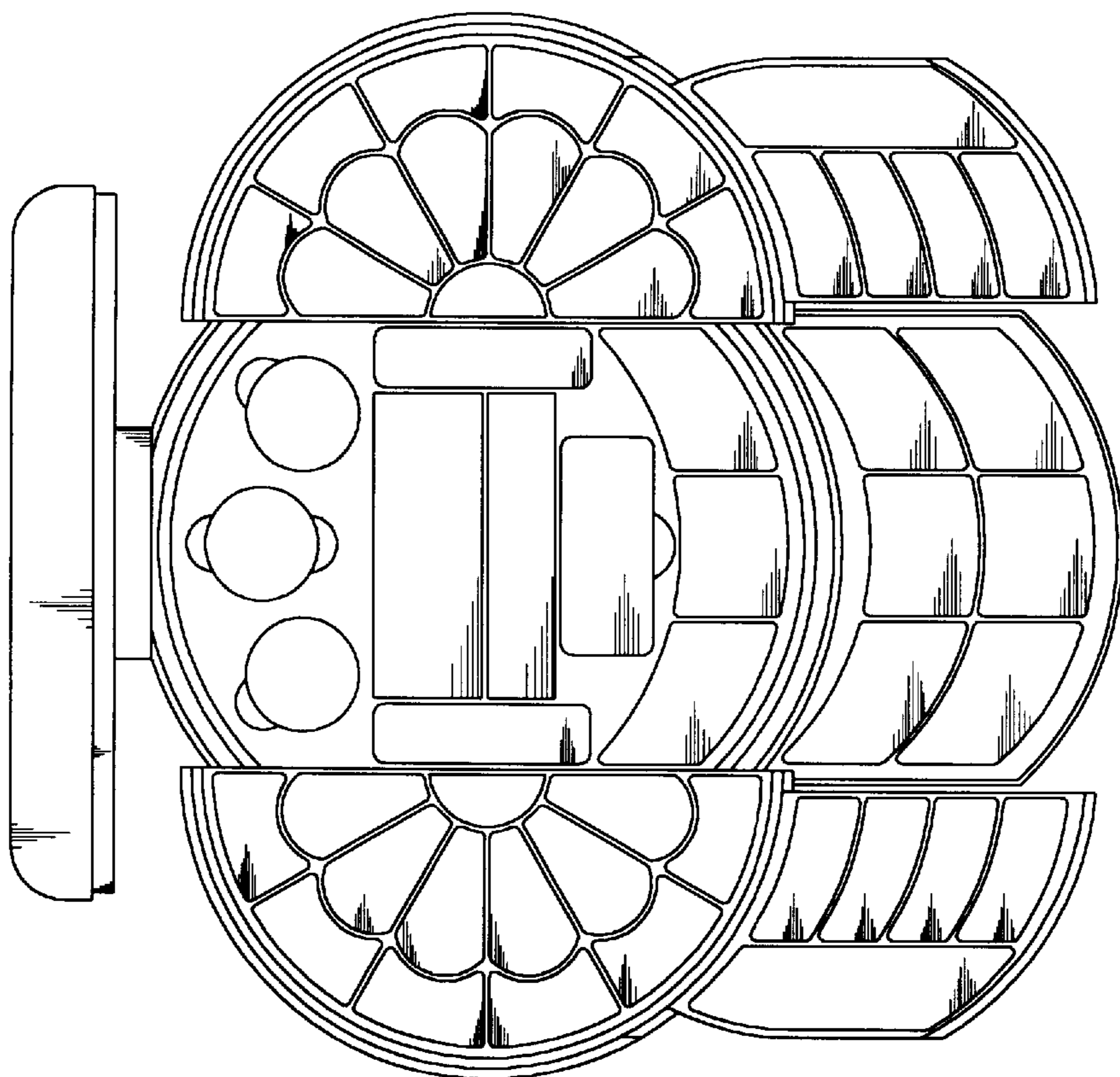


Fig. 6