



US00D444594S

(12) **United States Design Patent**  
**Angeletta**

(10) **Patent No.:** **US D444,594 S**

(45) **Date of Patent:** **\*\* Jul. 3, 2001**

(54) **PALM HELD LOTION AND LIQUID APPLICATOR**

(76) **Inventor:** **Joseph G. Angeletta**, 418 Fifth St.,  
Mamaroneck, NY (US) 10543

(\*\*) **Term:** **14 Years**

(21) **Appl. No.:** **29/129,973**

(22) **Filed:** **Sep. 26, 2000**

(51) **LOC (7) Cl.** ..... **28-02**

(52) **U.S. Cl.** ..... **D28/7**

(58) **Field of Search** ..... D28/7, 76; D9/529,  
D9/503, 504, 560, 338, 430; 132/317-318,  
320; 401/173, 207, 266

(56) **References Cited**

**U.S. PATENT DOCUMENTS**

D. 85,363	*	10/1931	Betts	.....	D9/529
D. 226,521	*	3/1973	Lerner	.....	D9/529 X
D. 411,747	*	6/1999	Kokenge et al.	.....	D28/7
D. 423,713	*	4/2000	Szekely	.....	D9/338
2,711,766	*	6/1955	Archer et al.	.....	D9/504
4,832,220	*	5/1989	Quennessen	.....	D9/529 X

\* cited by examiner

*Primary Examiner*—Paula A. Mortimer

(74) *Attorney, Agent, or Firm*—Scully, Scott, Murphy &  
Presser

(57) **CLAIM**

The ornamental design for a palm held lotion and liquid applicator, as shown and described.

**DESCRIPTION**

FIG. 1 illustrates an exploded side view of a first embodiment the palm held lotion and liquid applicator showing my new and ornamental design;

FIG. 2 illustrates a side view, the opposite side being a mirror-image thereof;

FIG. 3 illustrates a top plan view thereof;

FIG. 4 illustrates a perspective side view, thereof, with the cover having been removed; the opposite side being a mirror-image thereof;

FIG. 5 illustrates an exploded side view of a second embodiment;

FIG. 6 illustrates a side view with the cover mounted thereon; the opposite side being a mirror-image thereof;

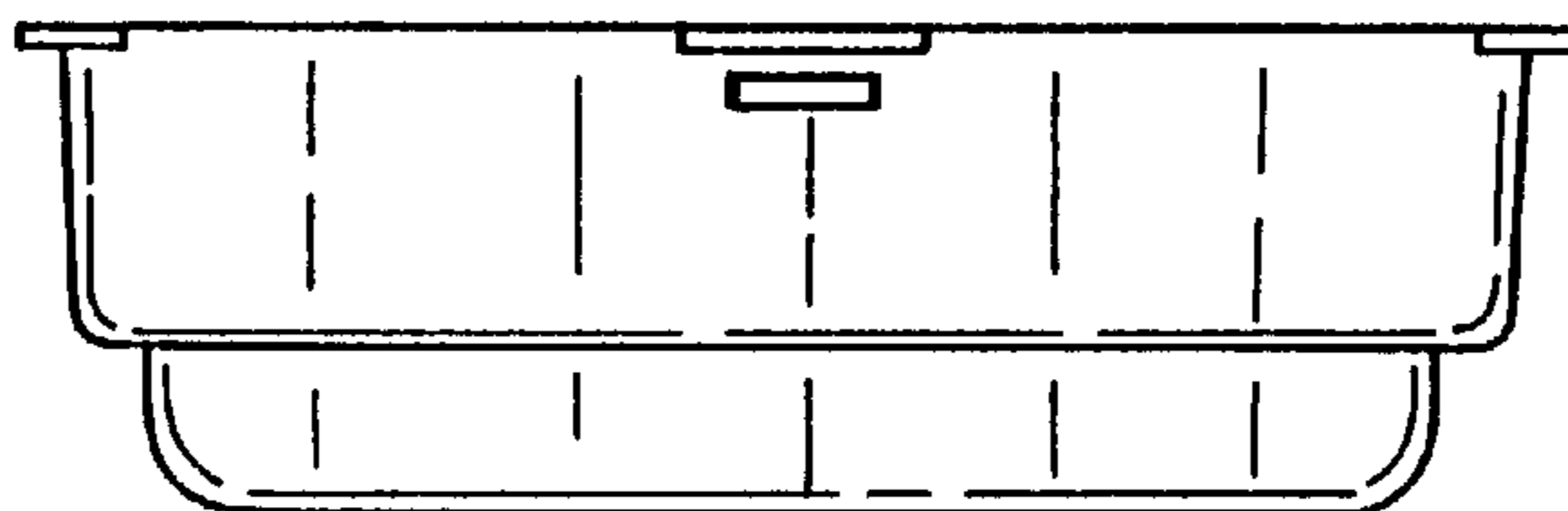
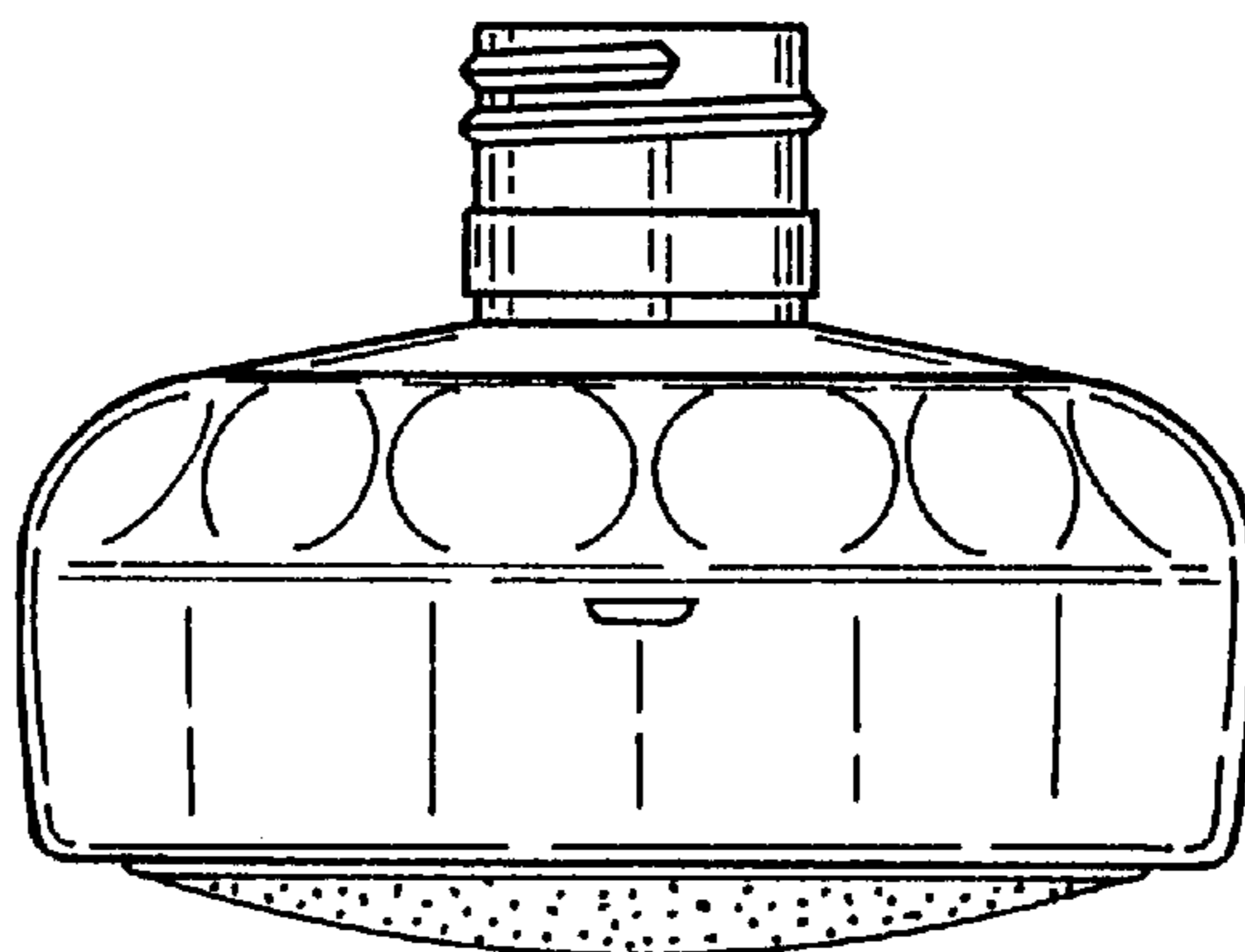
FIG. 7 illustrates a top plan view thereof applicator with a cover being mounted thereon;

FIG. 8 illustrates a perspective side view thereof, with the cover having been removed; the opposite side being a mirror-image thereof;

FIG. 9 illustrates a bottom plan view of both embodiments, with the cover attached thereon; and,

FIG. 10 illustrates a bottom plan view of both embodiments, with the cover having been removed.

**1 Claim, 2 Drawing Sheets**



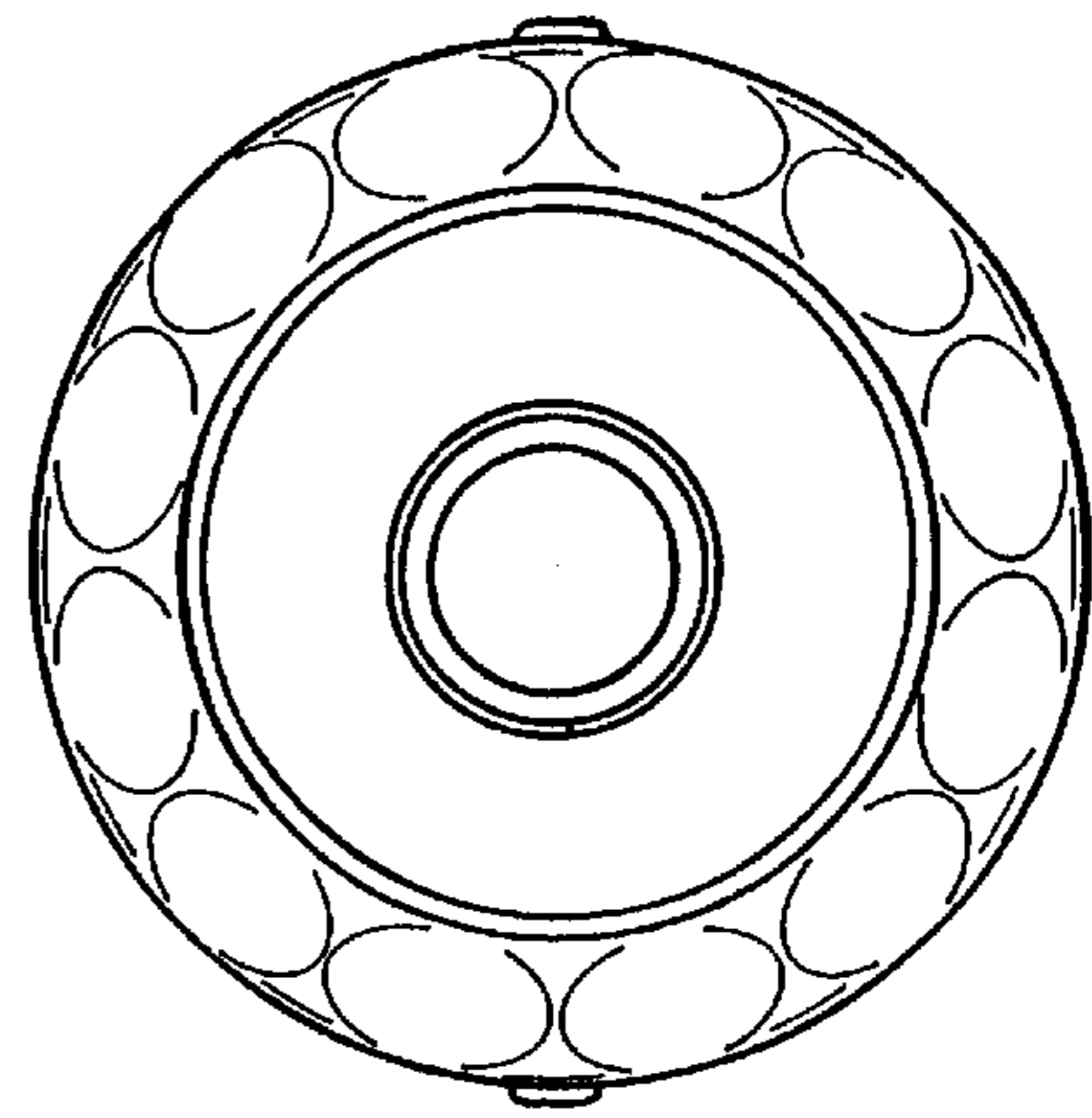
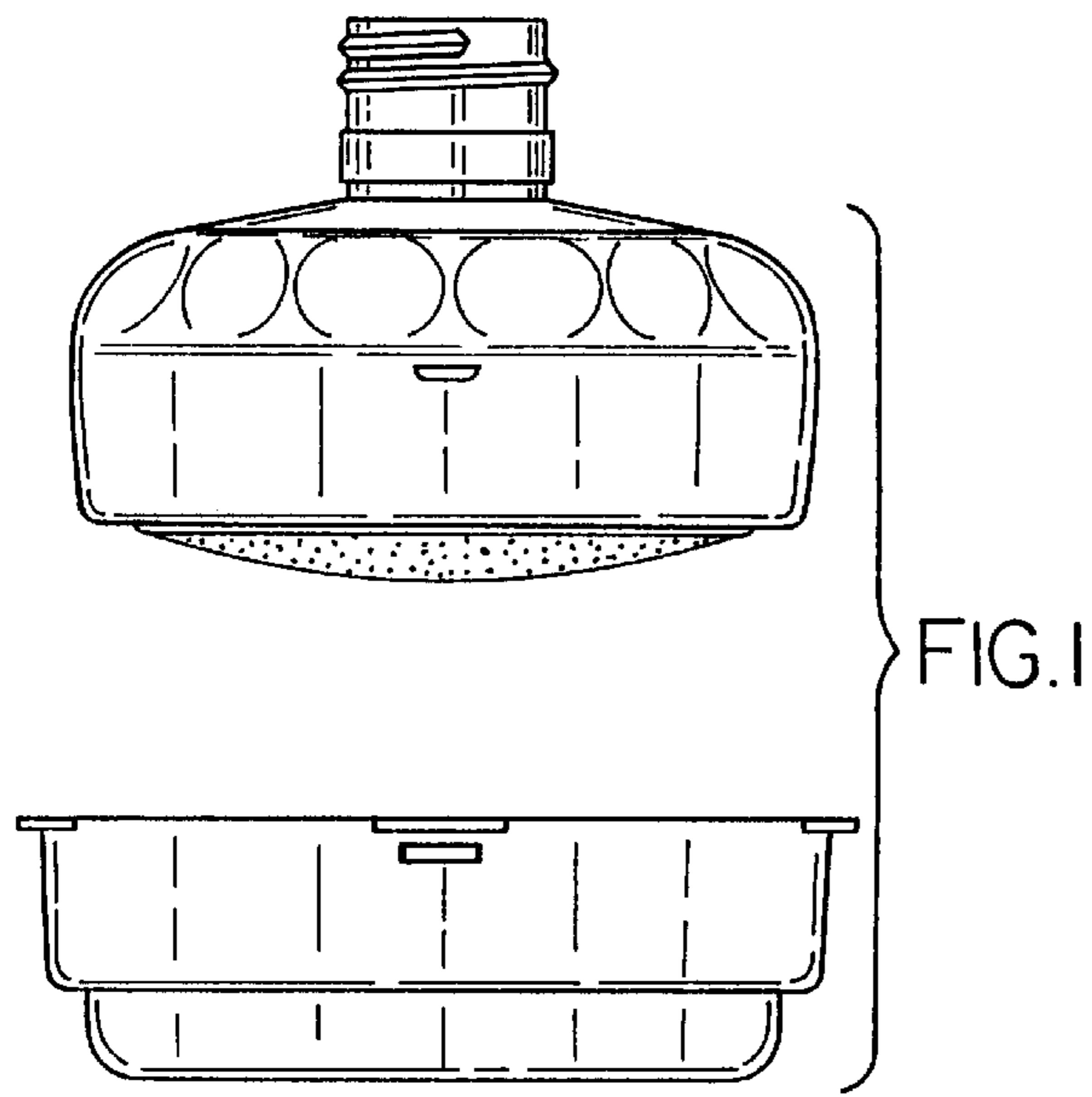


FIG. 3

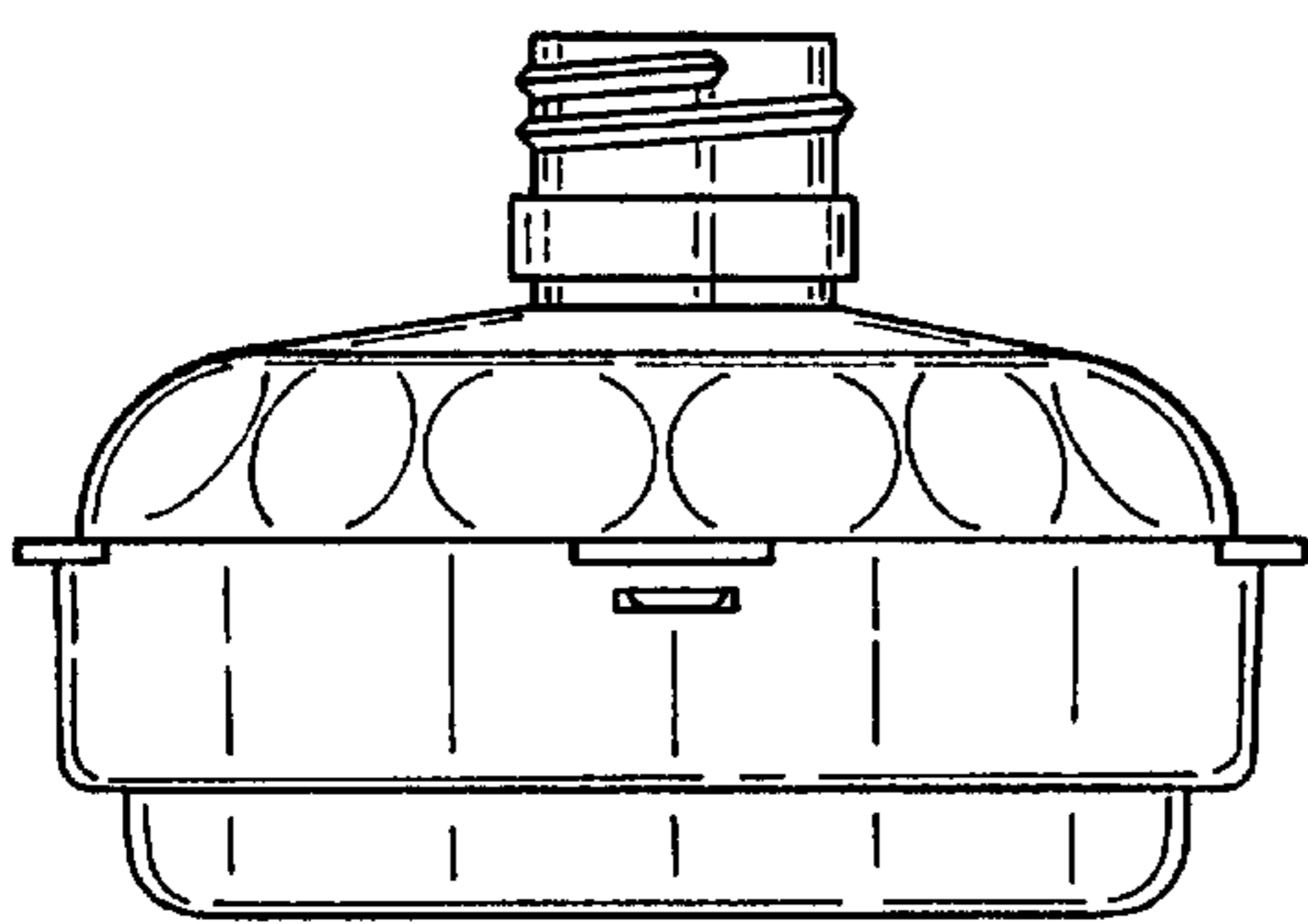


FIG. 2

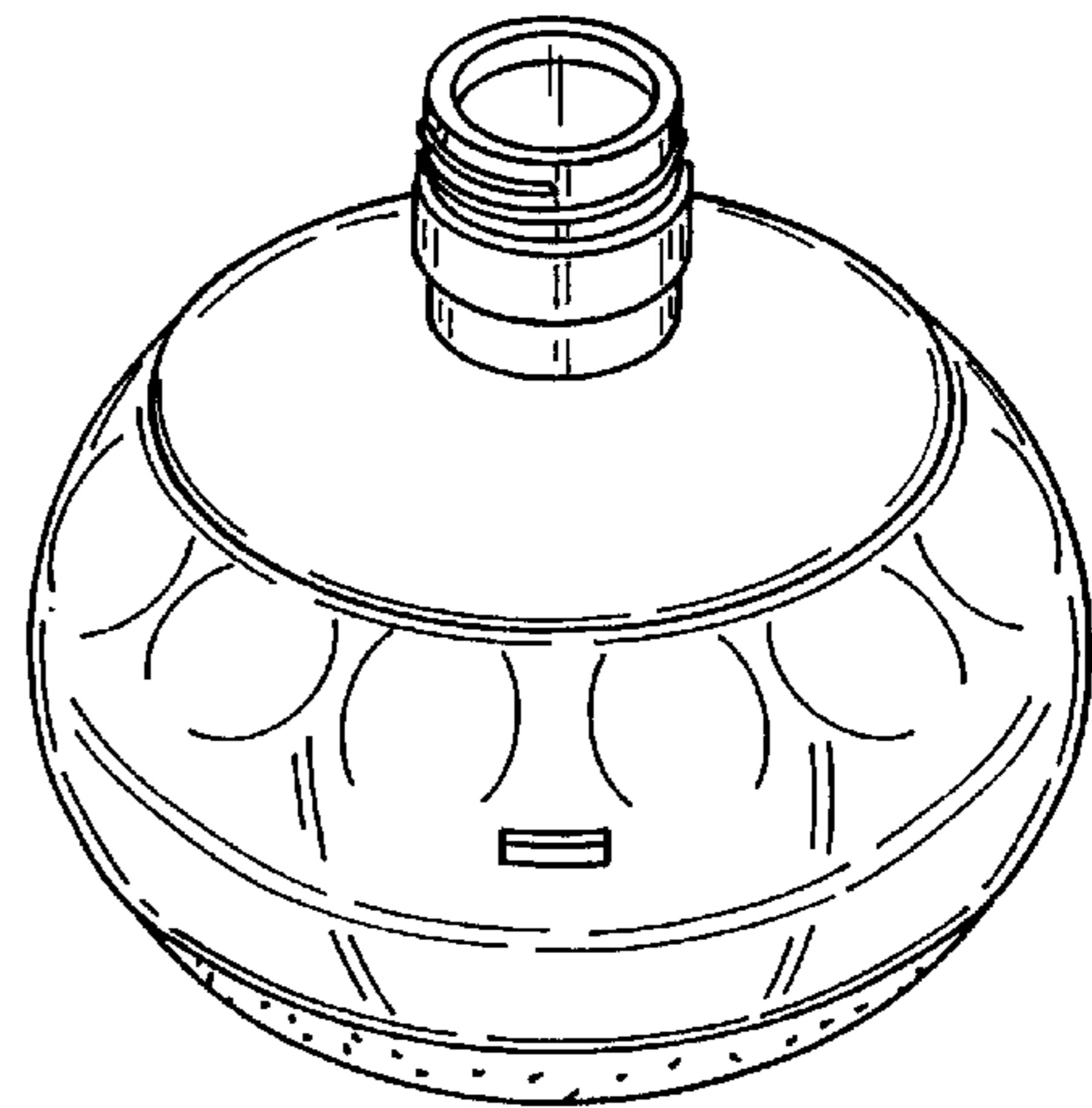


FIG. 4

