



US00D444589S

(12) **United States Design Patent**  
**Hsu**

(10) **Patent No.:** **US D444,589 S**

(45) **Date of Patent:** **\*\* Jul. 3, 2001**

(54) **WALL LAMP**

(76) **Inventor:** **Peter Hsu**, FL.11, No.195 Ning Hsia Road, Taichung (TW)

(\*\*) **Term:** **14 Years**

(21) **Appl. No.:** **29/133,154**

(22) **Filed:** **Nov. 24, 2000**

(51) **LOC (7) Cl.** ..... **26-05**

(52) **U.S. Cl.** ..... **D26/87**

(58) **Field of Search** ..... D26/72, 80-92, D26/74; 362/147, 404-408, 432, 364, 365

(56) **References Cited**

**PUBLICATIONS**

Home Lighting and Accessories, p. 50, Thomas lighting wall lamp, 1996.\*

\* cited by examiner

*Primary Examiner*—Susan J. Lucas

(74) *Attorney, Agent, or Firm*—Rosenberg, Klein & Lee

(57) **CLAIM**

The ornamental design for a wall lamp, as shown and described.

**DESCRIPTION**

FIG. 1 is a perspective view of wall lamp showing my new design;

FIG. 2 is a front elevation view thereof;

FIG. 3 is a rear elevation view thereof;

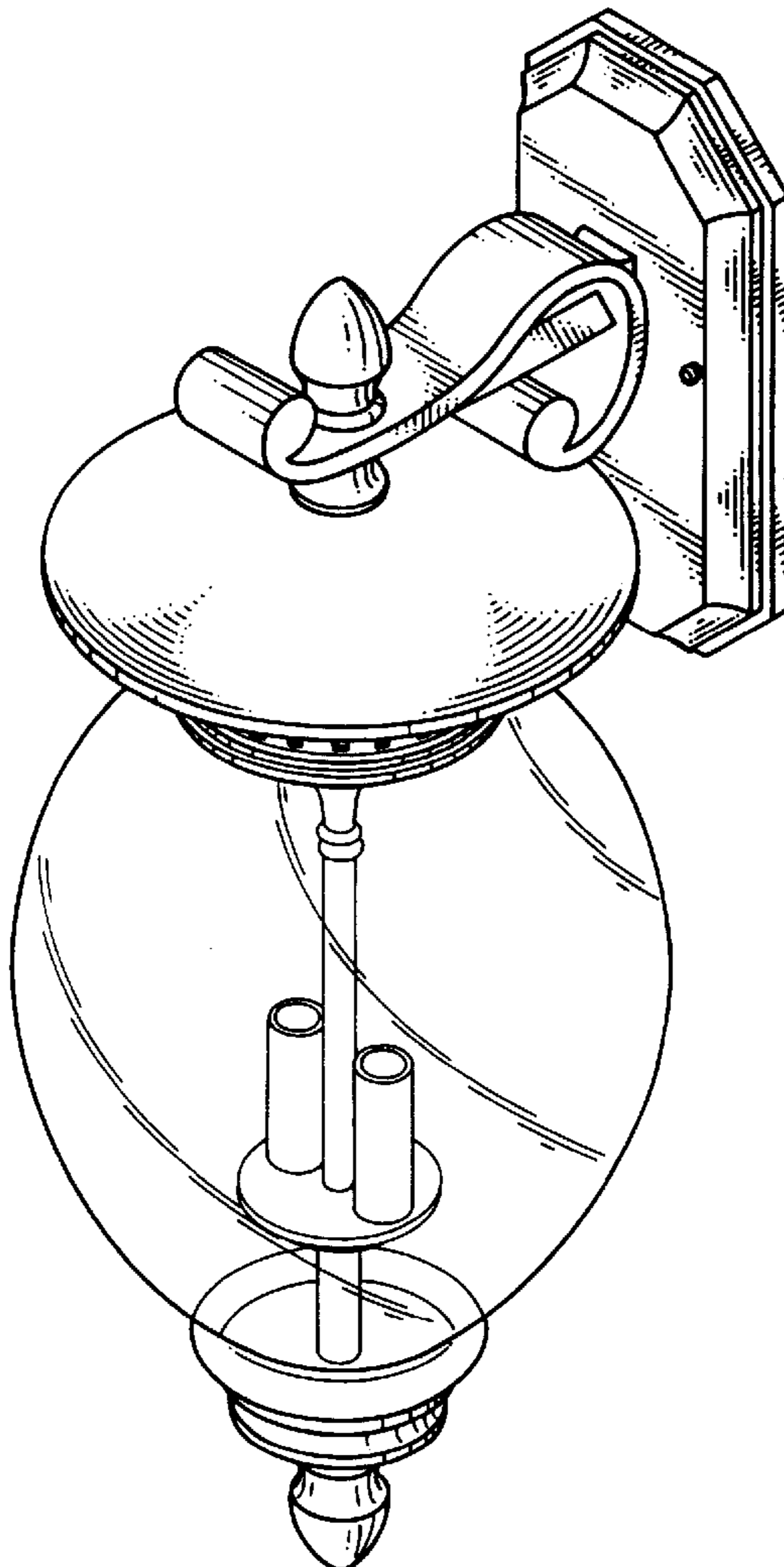
FIG. 4 is a left side elevation view thereof;

FIG. 5 is a right side elevation view thereof;

FIG. 6 is a top plan view thereof; and,

FIG. 7 is a bottom plan view thereof.

**1 Claim, 4 Drawing Sheets**



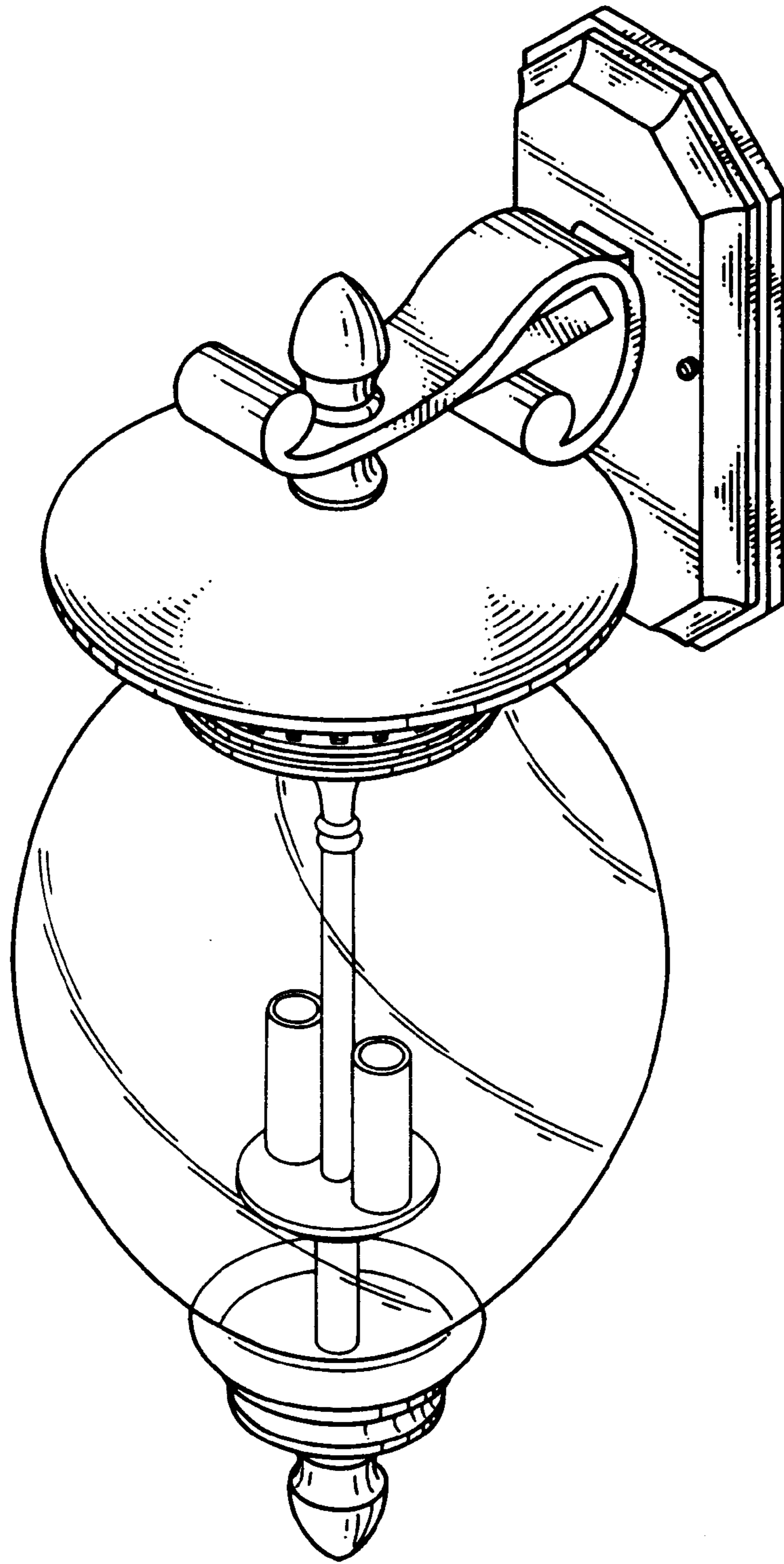


FIG. 1

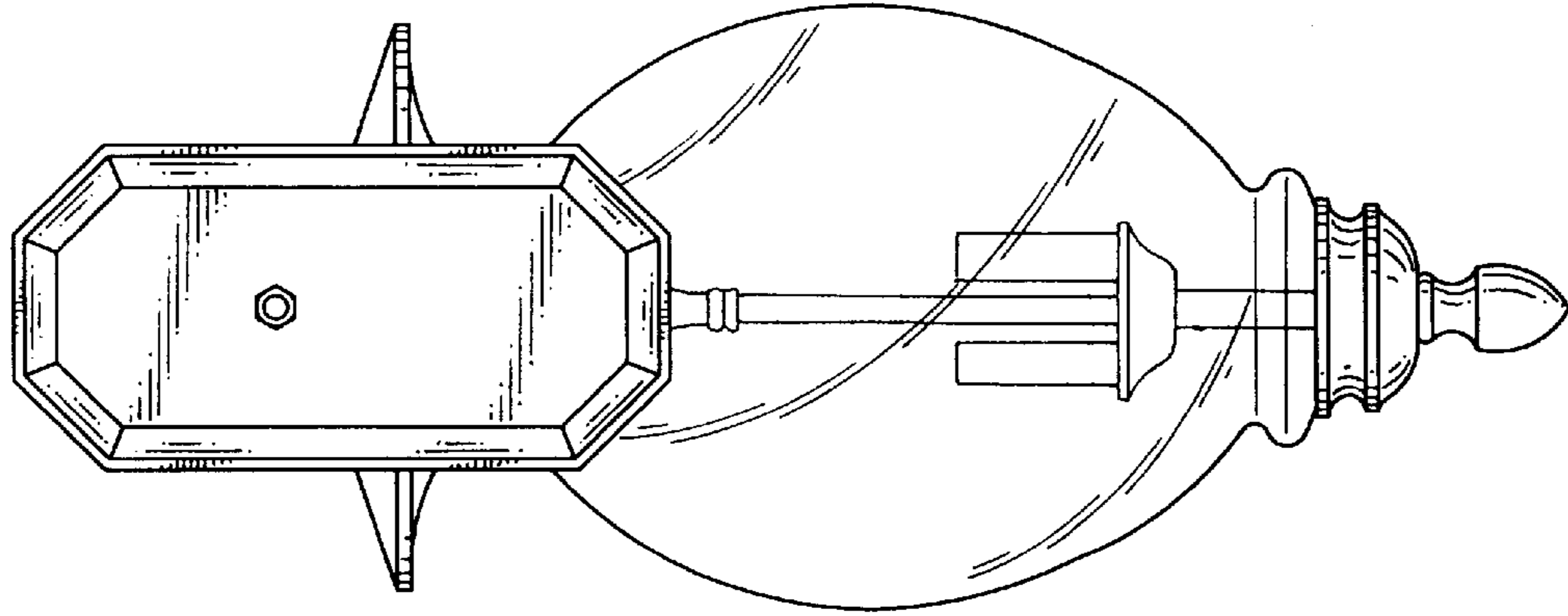


FIG. 2

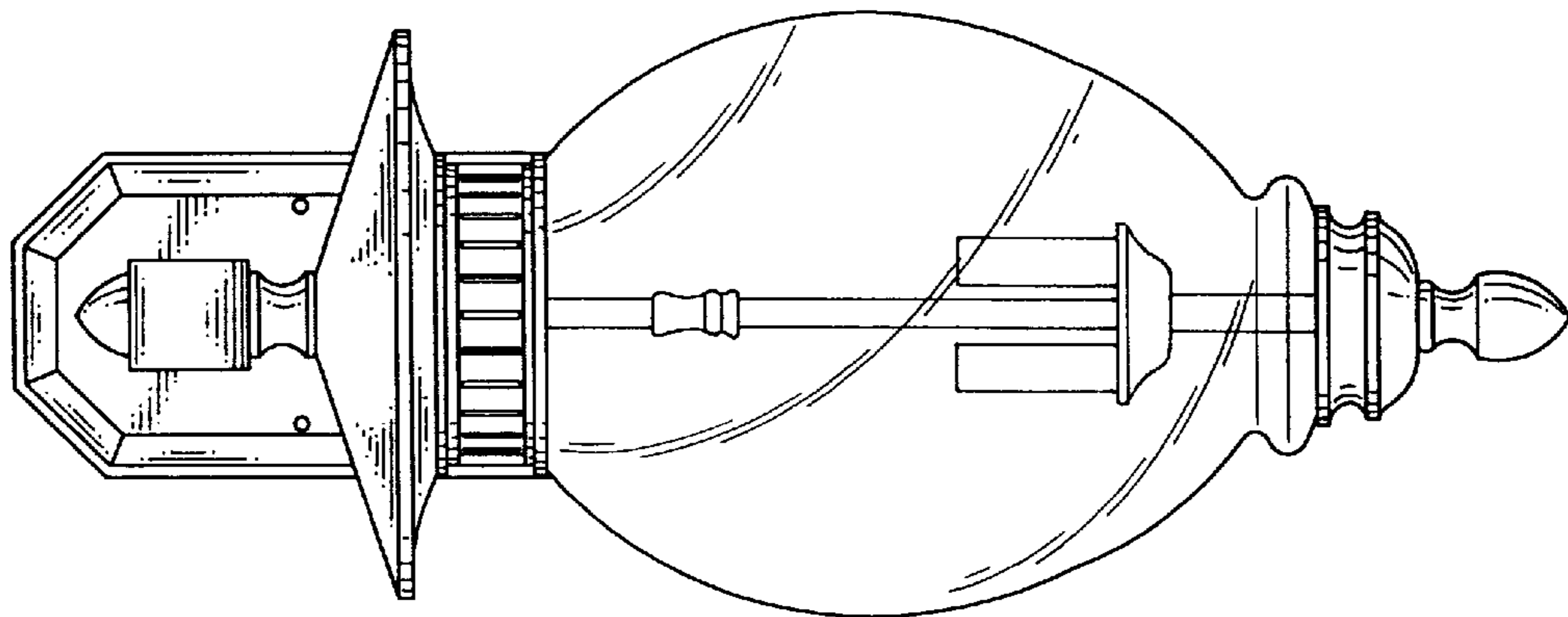


FIG. 3

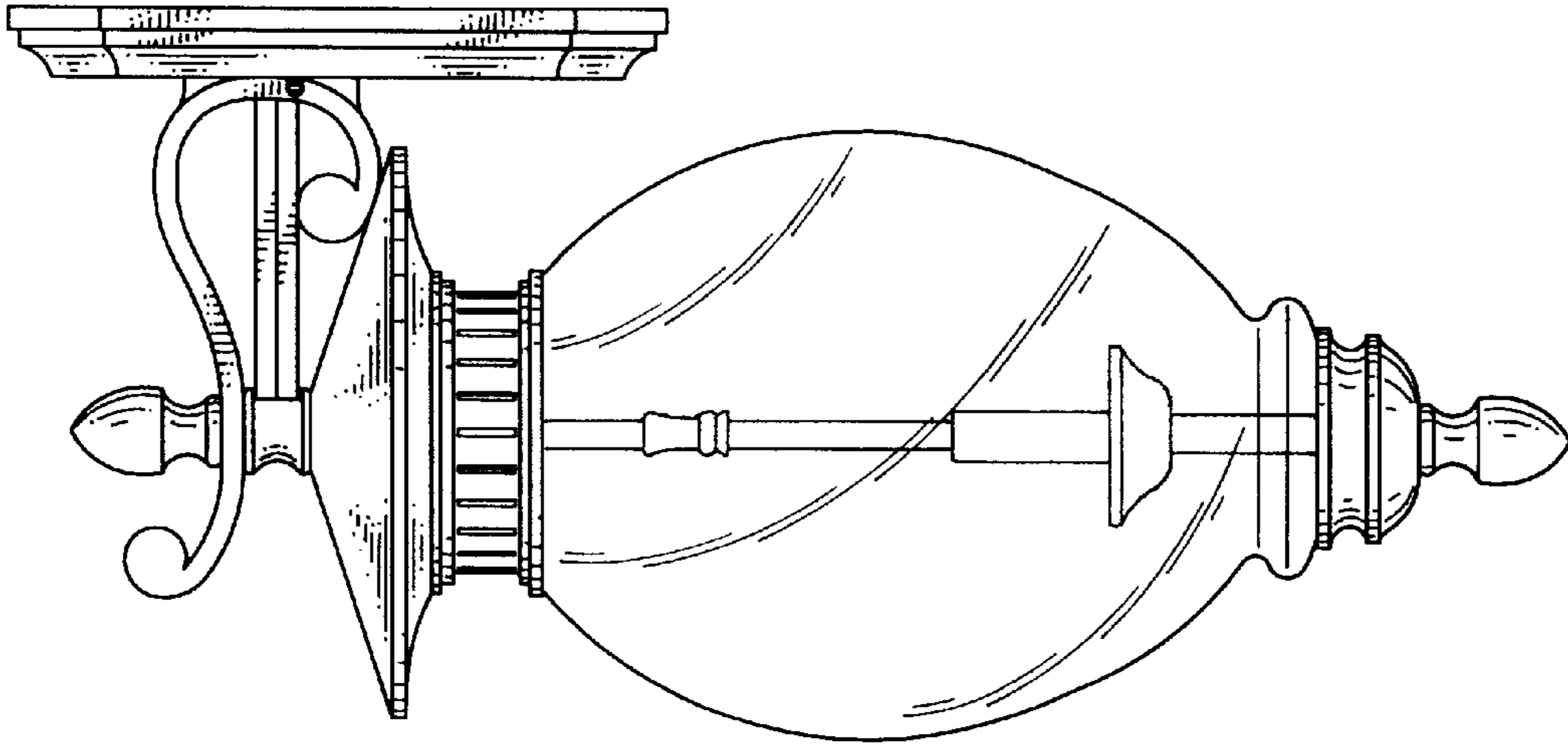


FIG. 5

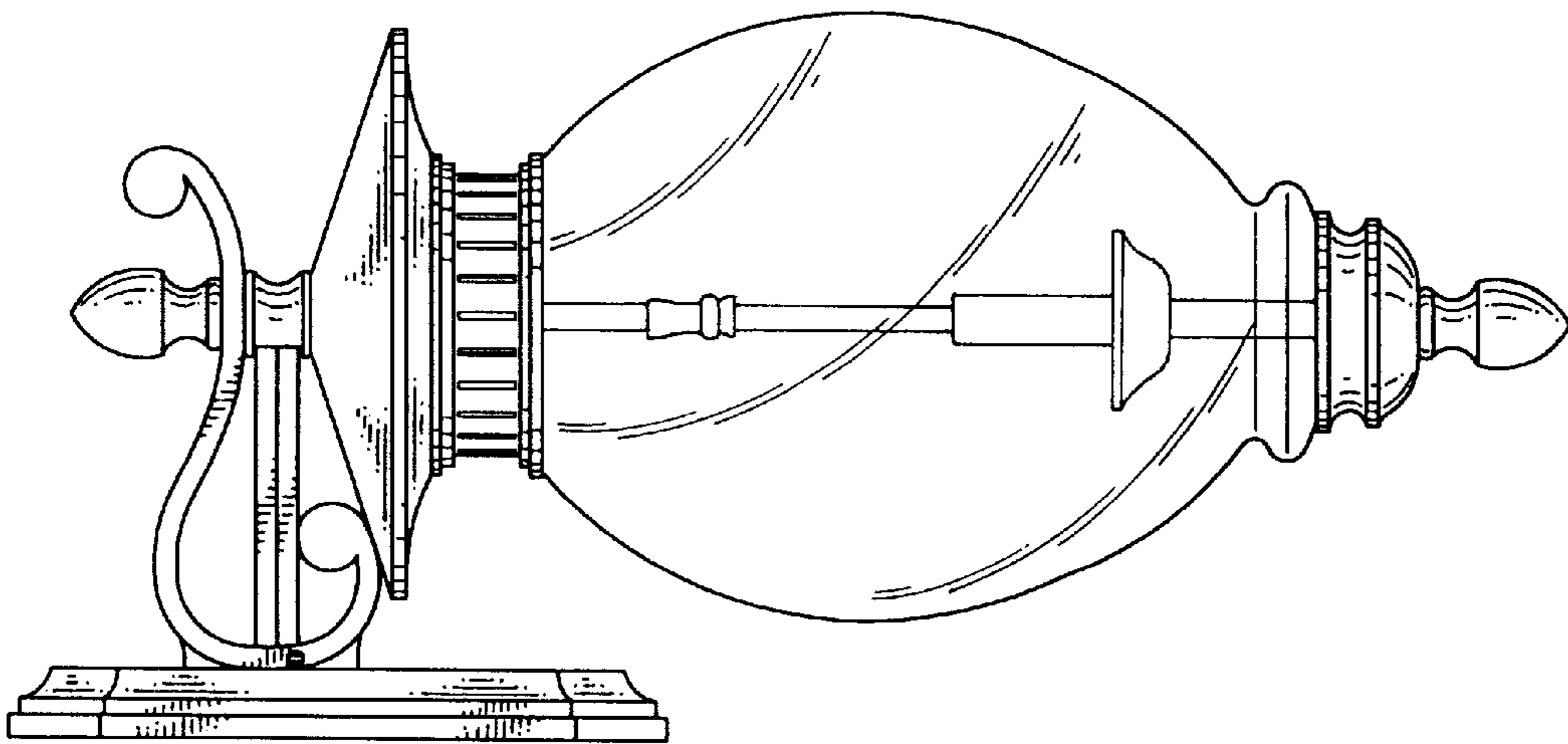


FIG. 4

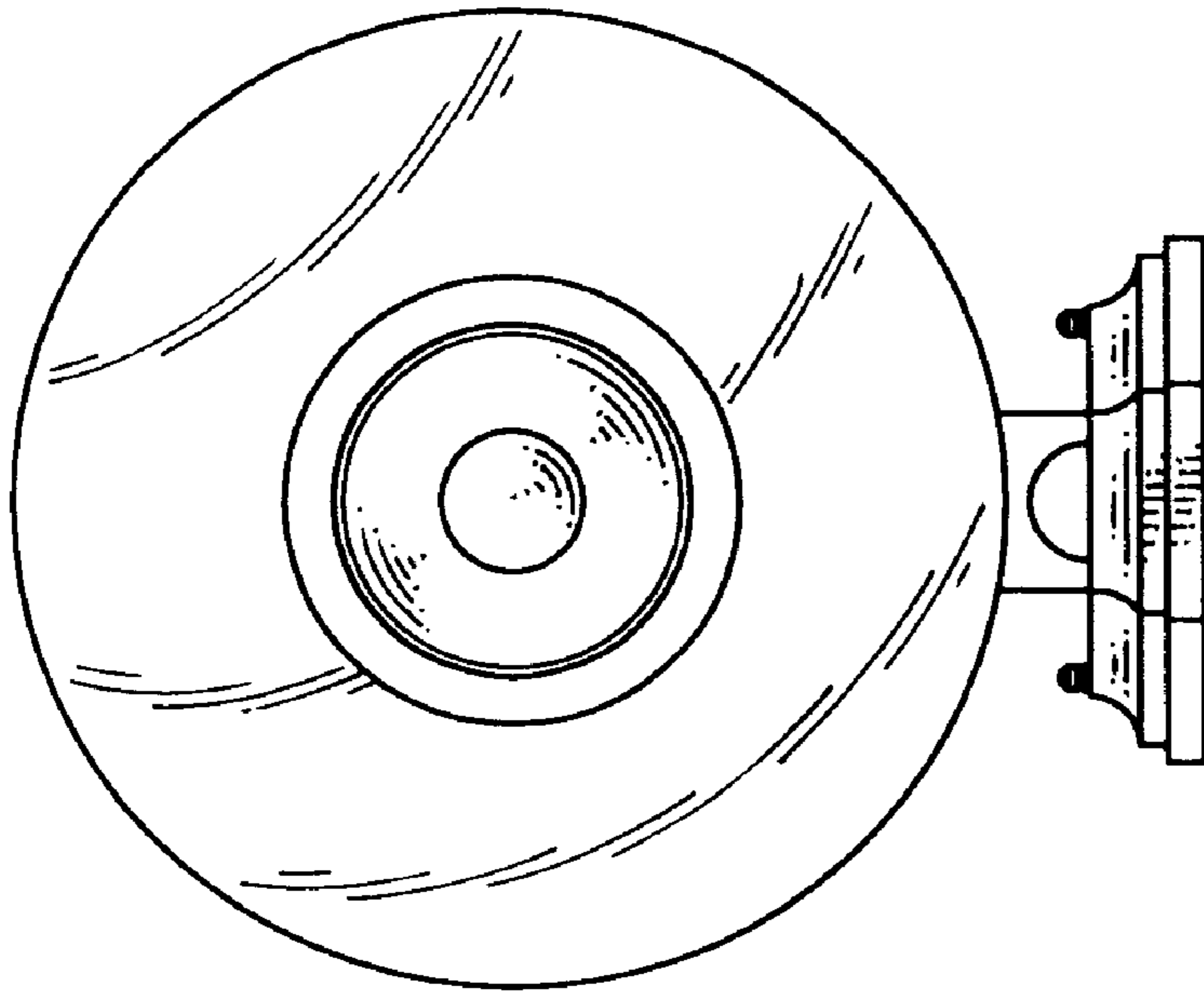


FIG. 7

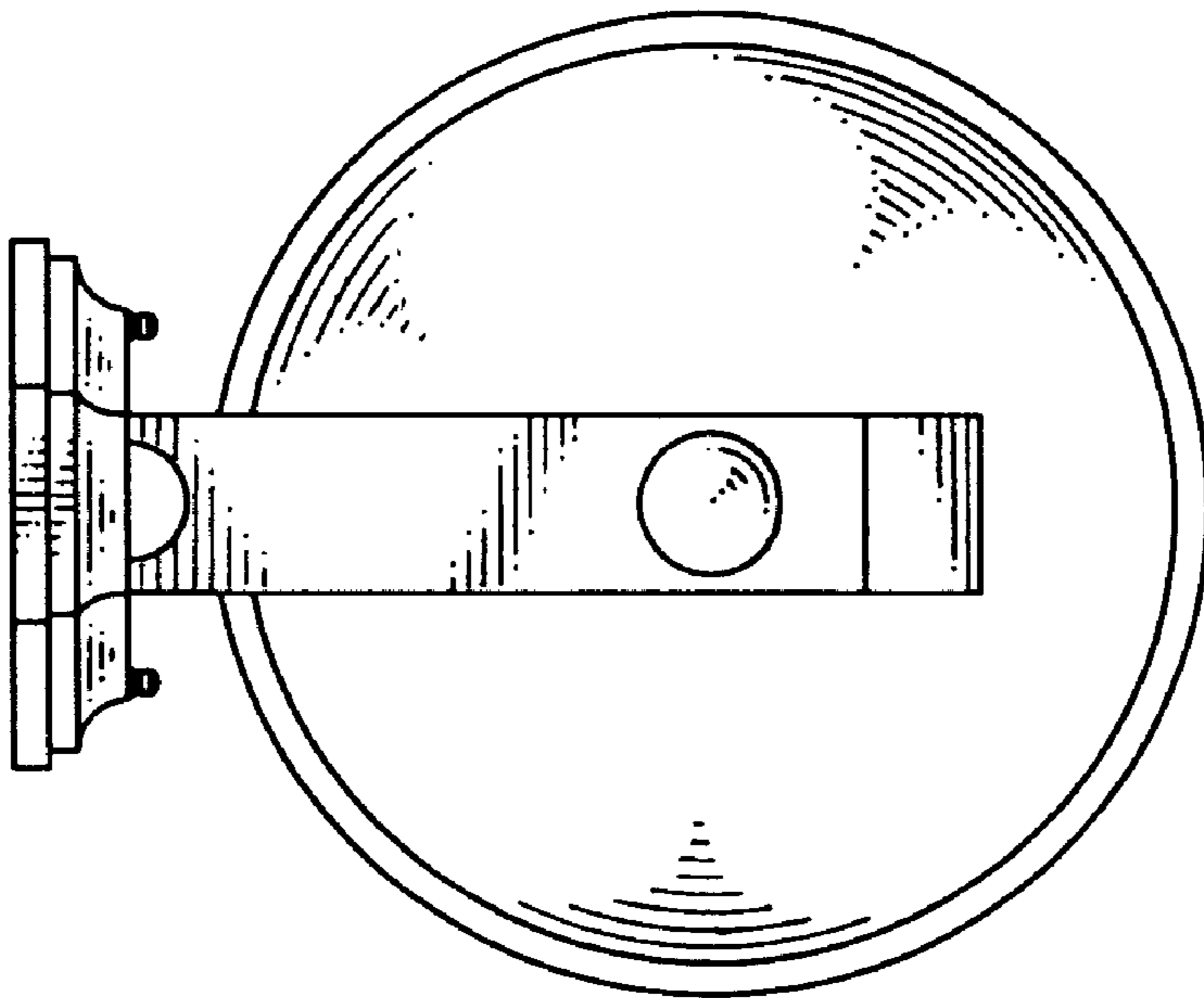


FIG. 6