



US00D444588S

(12) **United States Design Patent**
Lin

(10) **Patent No.:** **US D444,588 S**

(45) **Date of Patent:** **** Jul. 3, 2001**

(54) **CEILING LAMP**

(75) Inventor: **Kent Lin**, Taoyuan Hsien (TW)

(73) Assignee: **Evergreen-Lite Enterprises Co., Ltd.**,
Taoyuan Hsien (TW)

(**) Term: **14 Years**

(21) Appl. No.: **29/129,873**

(22) Filed: **Sep. 25, 2000**

(51) **LOC (7) Cl.** **26-05**

(52) **U.S. Cl.** **D26/85**

(58) **Field of Search** D26/72, 80-92,
D26/74; 362/147, 404-408, 364, 365

(56) **References Cited**

U.S. PATENT DOCUMENTS

- D. 86,313 * 2/1932 Hollister D26/88
- D. 436,212 * 1/2001 Hammar D26/85

OTHER PUBLICATIONS

The Original Cast Lighting catalog, 1992, p. 6, chandelier #
APk-27AJ MN2.*

* cited by examiner

Primary Examiner—Susan J. Lucas

(74) *Attorney, Agent, or Firm*—Rosenberg, Klein & Lee

(57) **CLAIM**

The ornamental design for a ceiling lamp, as shown and described.

DESCRIPTION

FIG. 1 is a perspective view of a ceiling lamp showing my new design.

FIG. 2 is a front side elevation view thereof;

FIG. 3 is a rear side elevation view thereof;

FIG. 4 is a left side elevation view thereof;

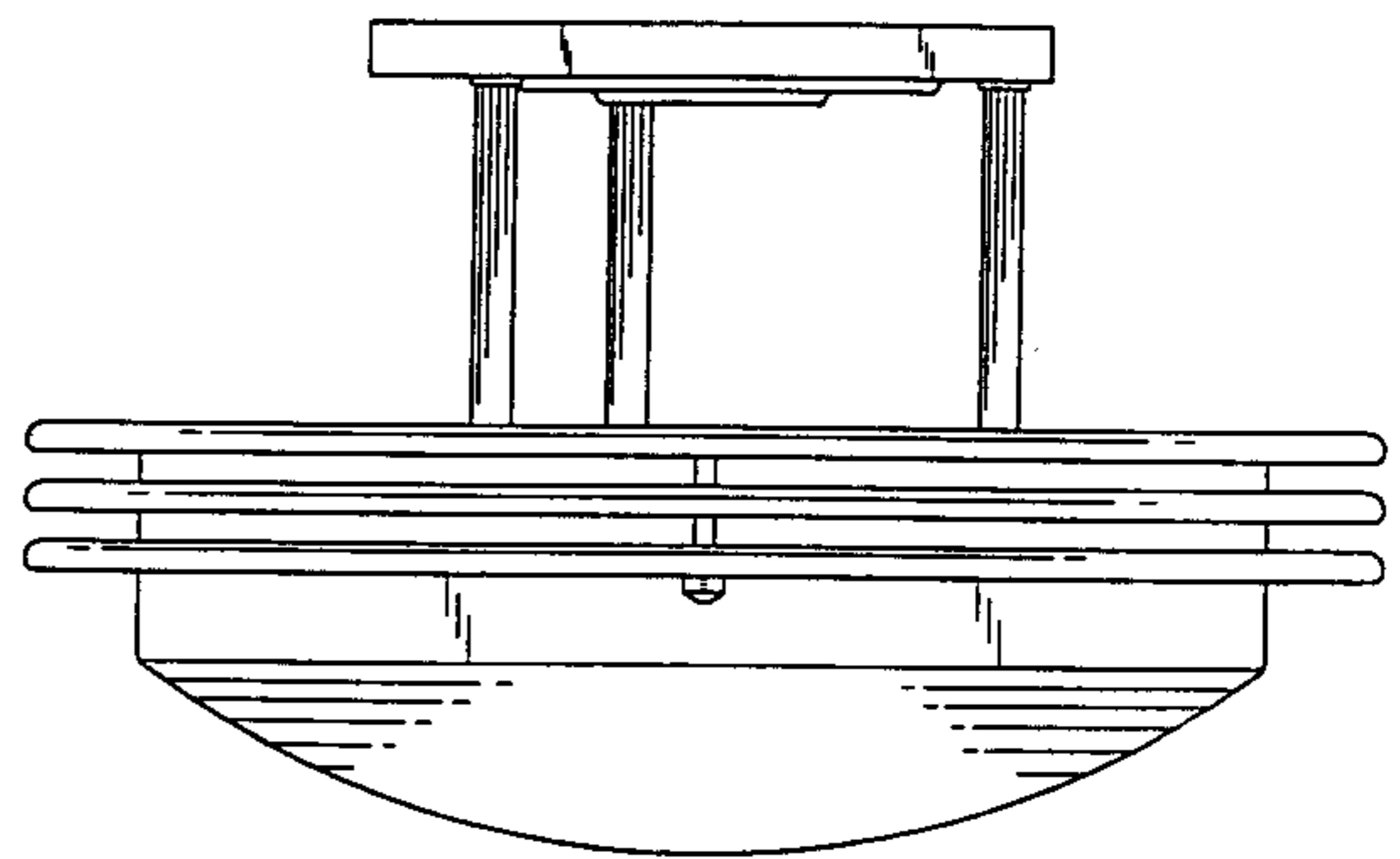
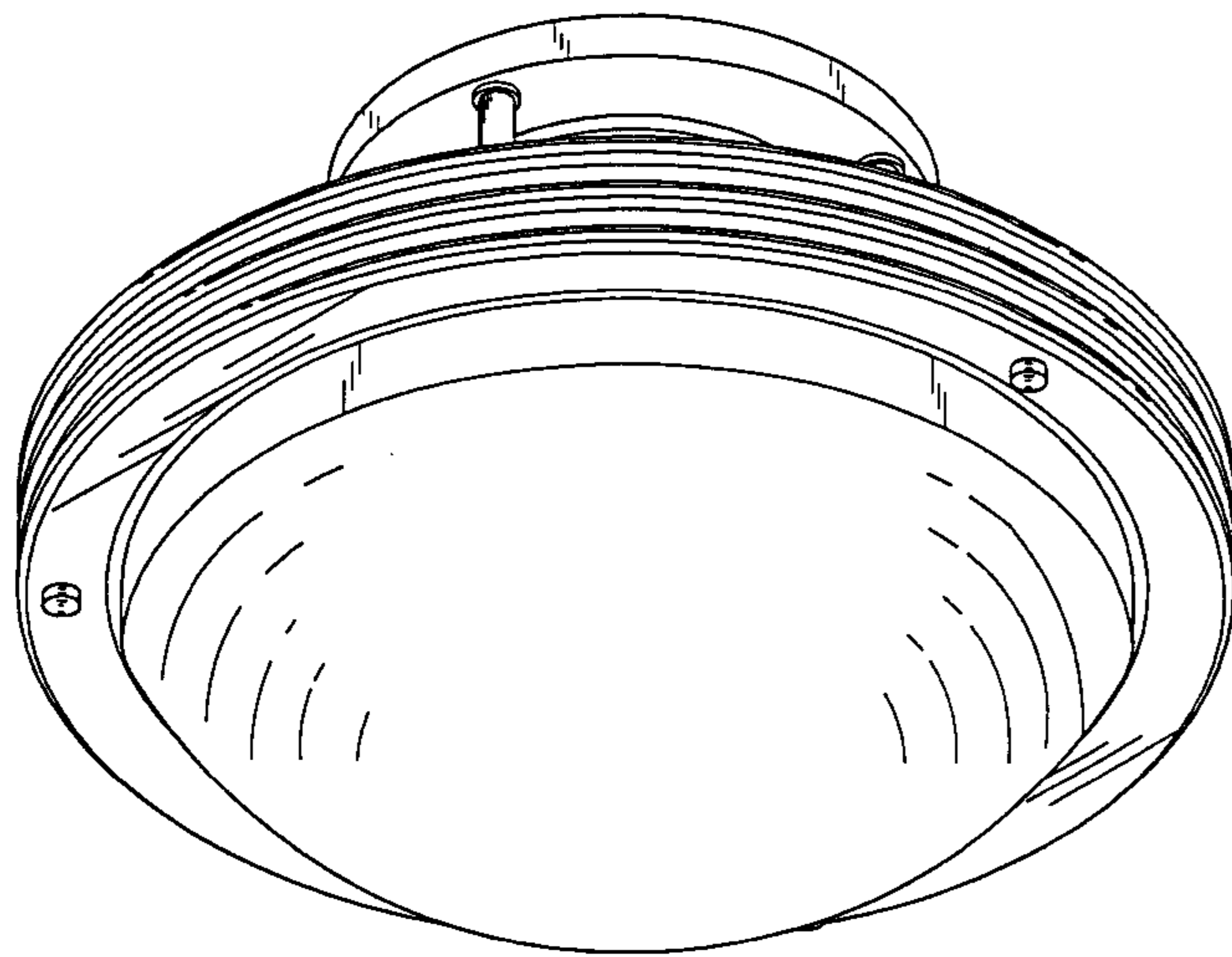
FIG. 5 is a right side elevation view thereof;

FIG. 6 is a top plan view thereof; and

FIG. 7 is a bottom plan view thereof; and,

FIG. 8 is a perspective of the ceiling lamp in use.

1 Claim, 5 Drawing Sheets



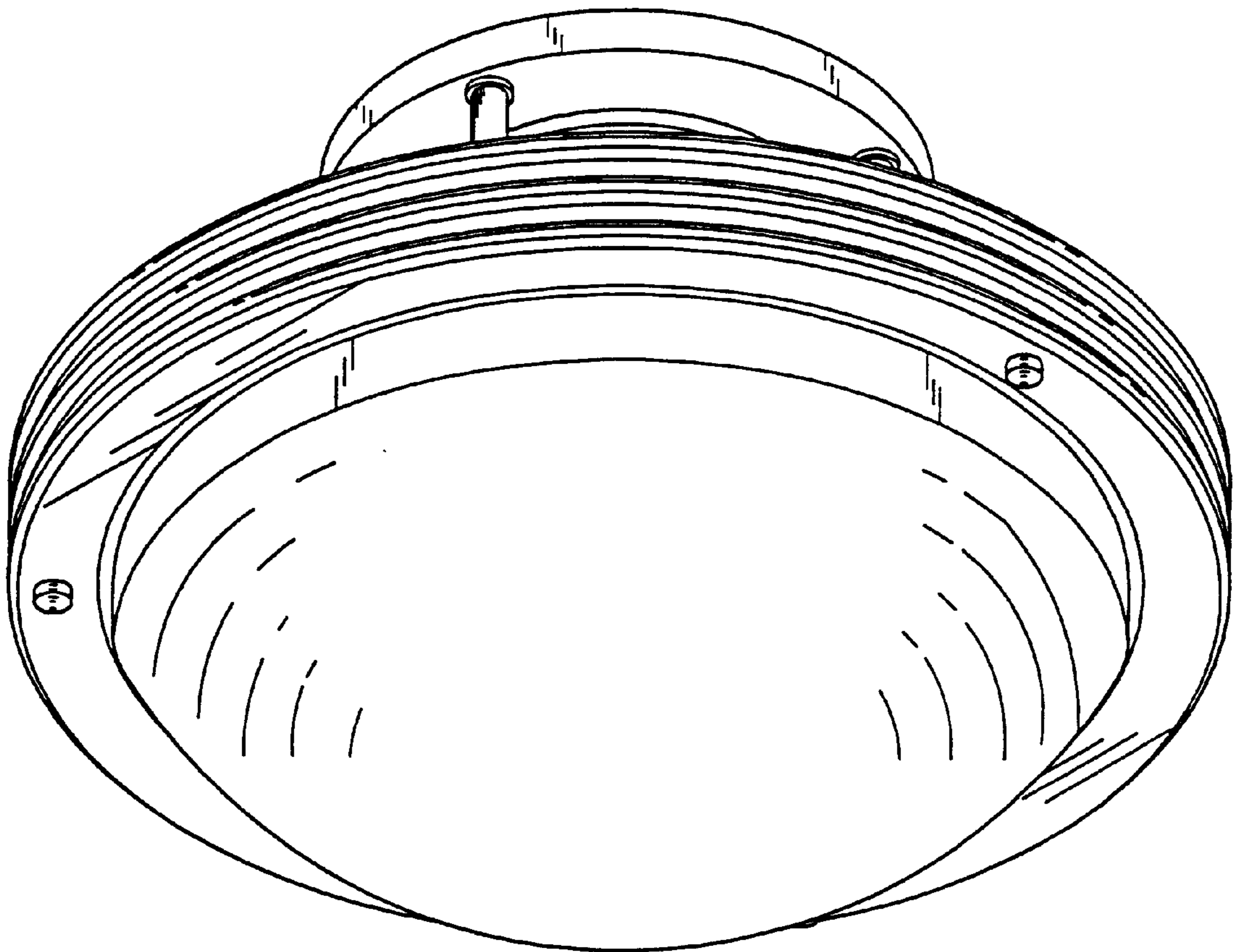


FIG. 1

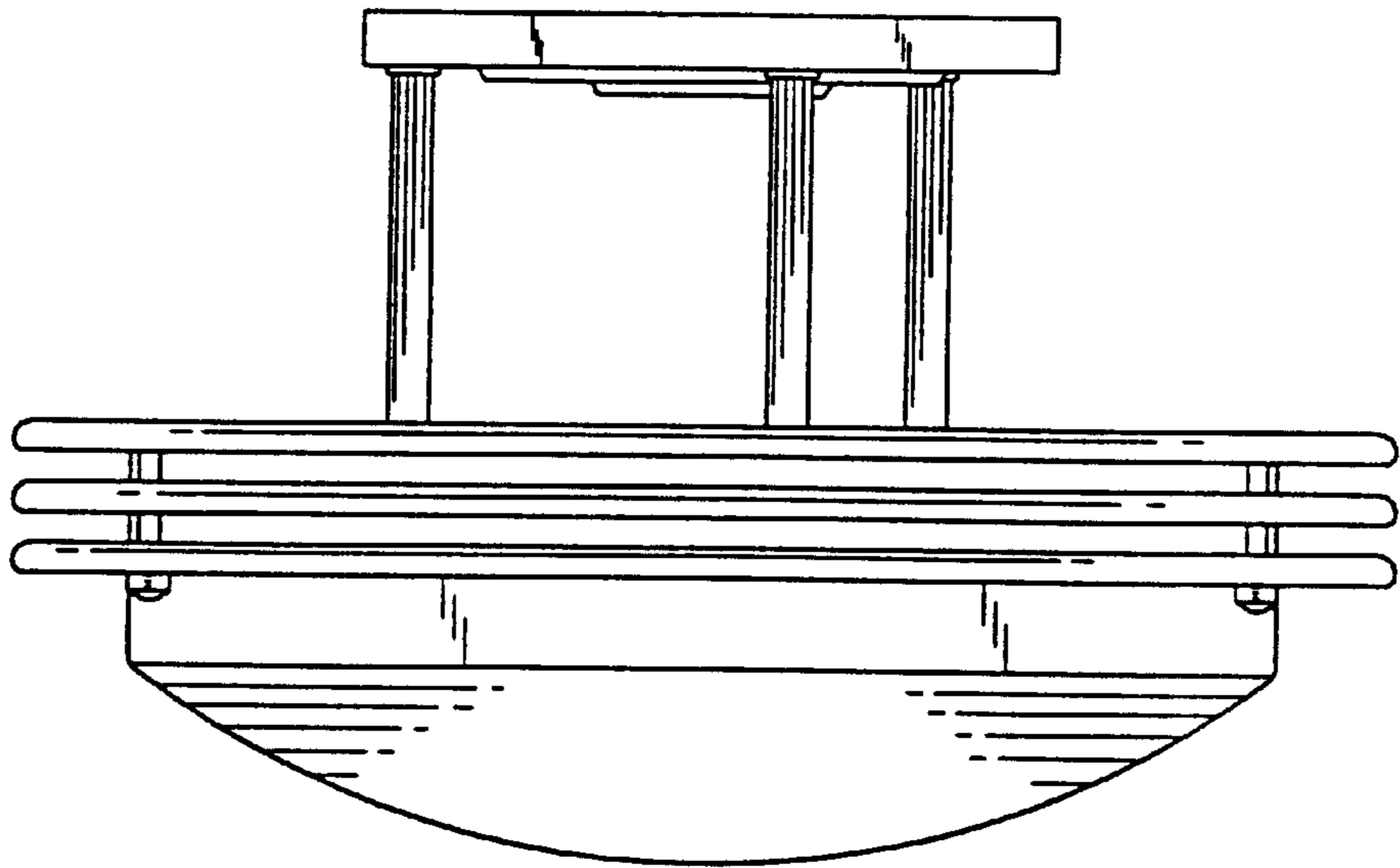


FIG. 3

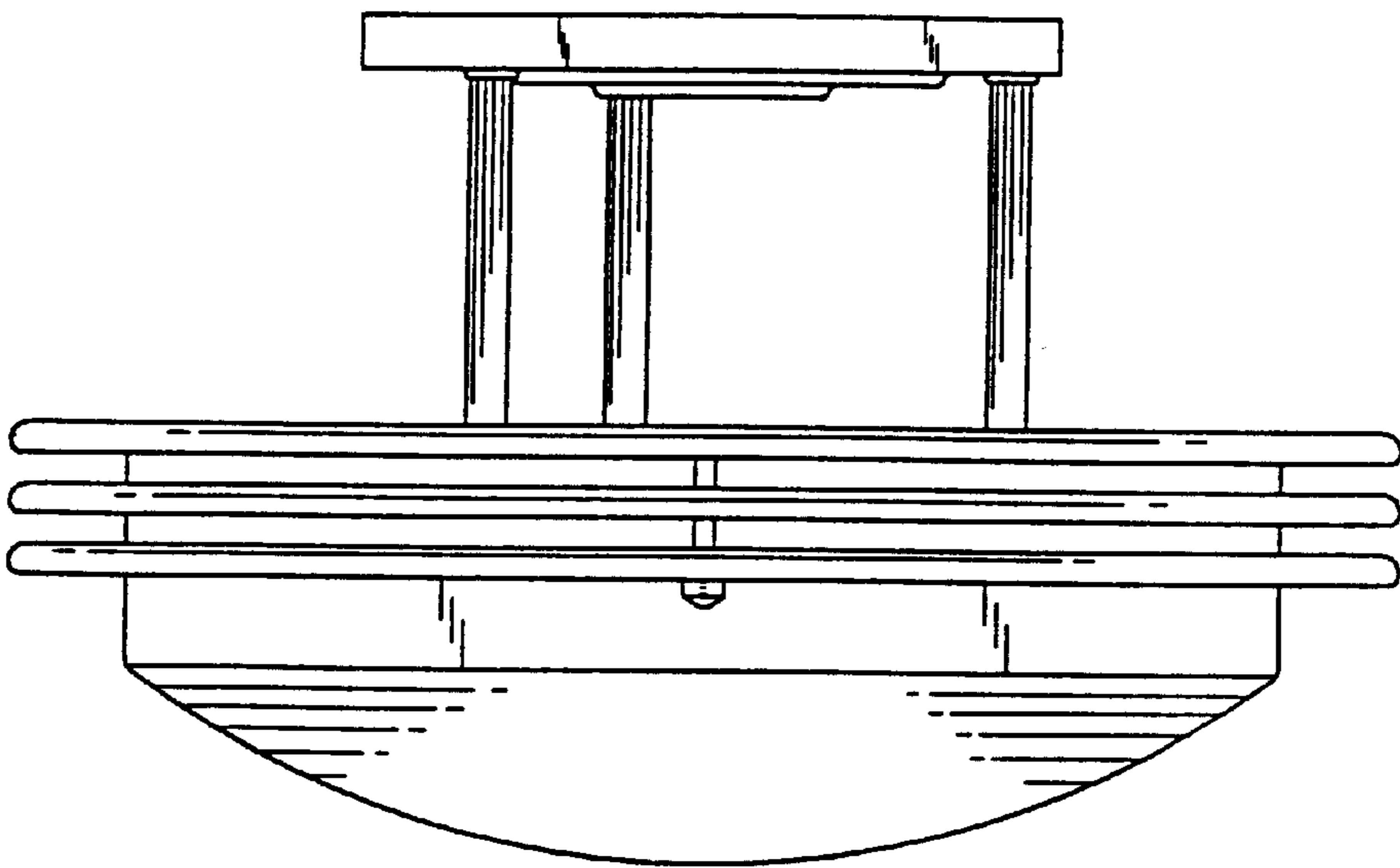


FIG. 2

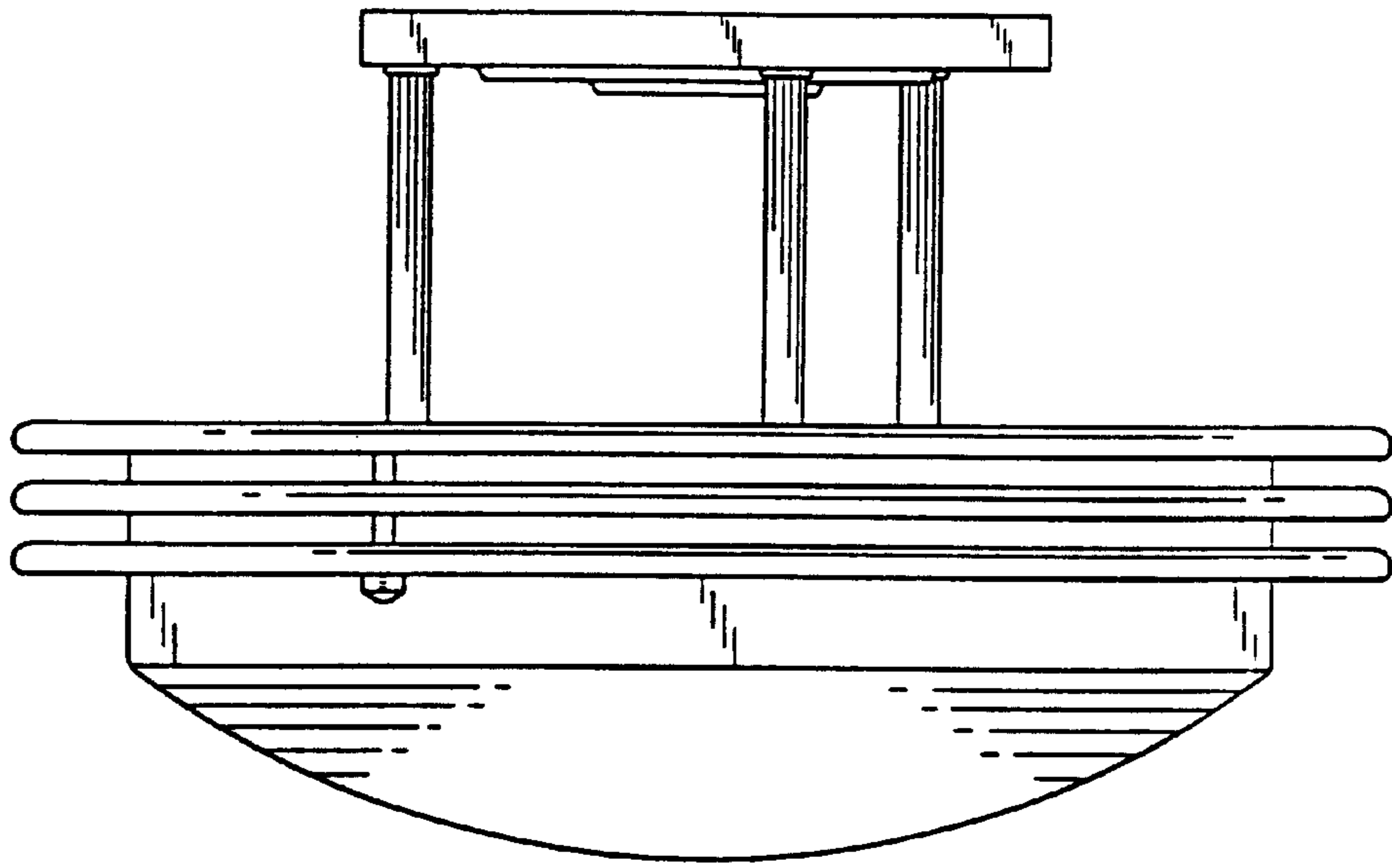


FIG. 5

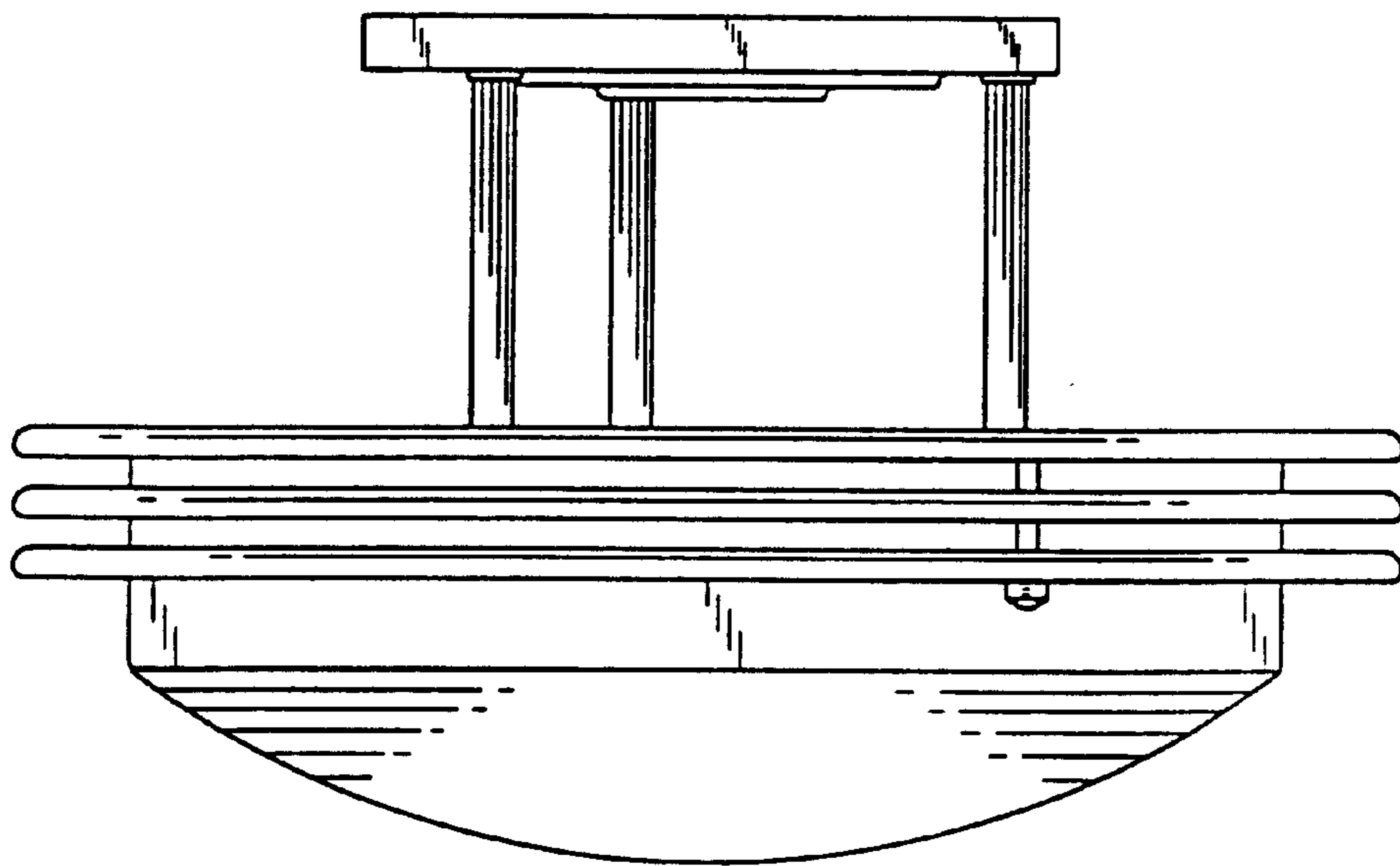


FIG. 4

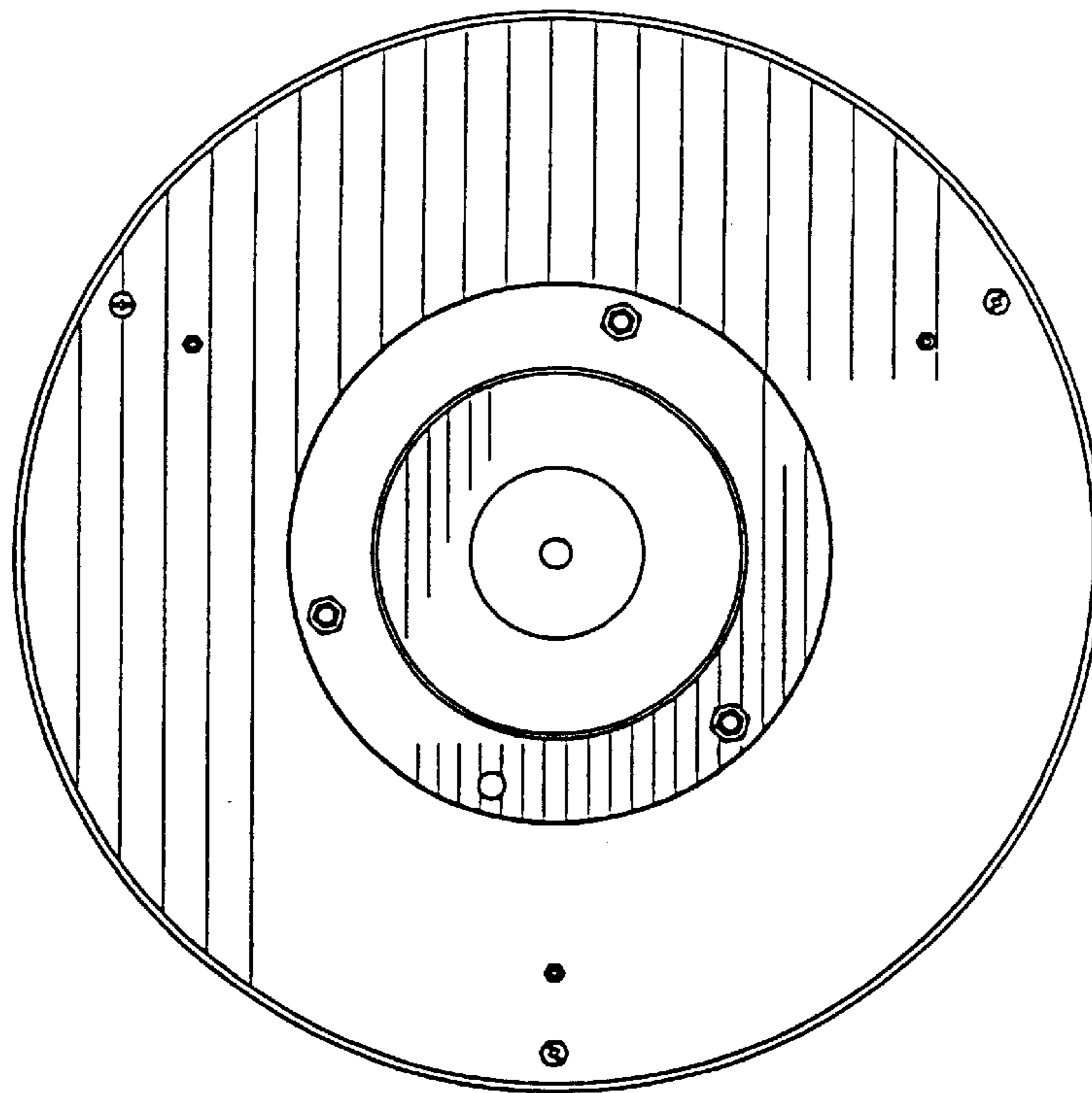


FIG. 7

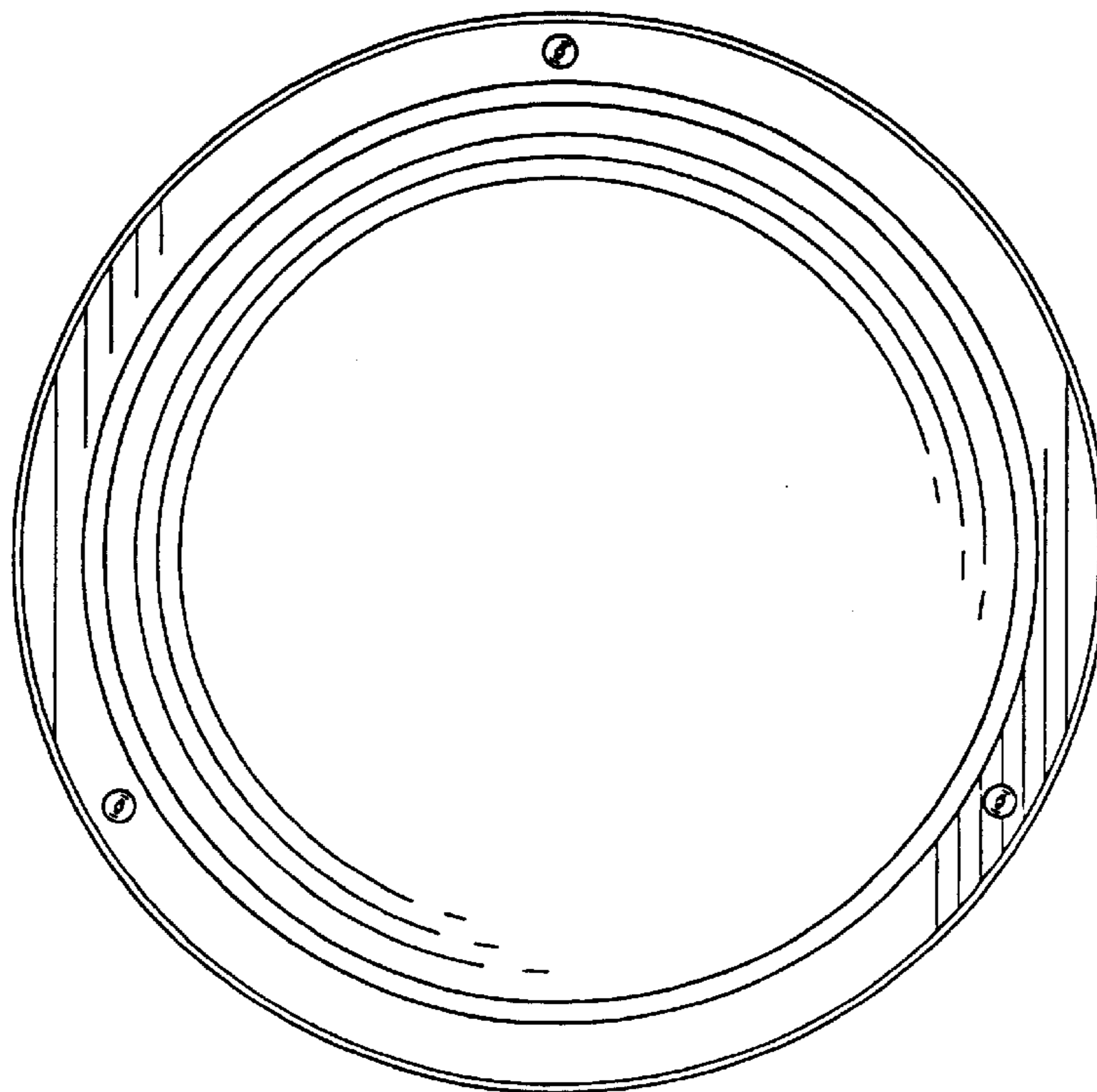


FIG. 6

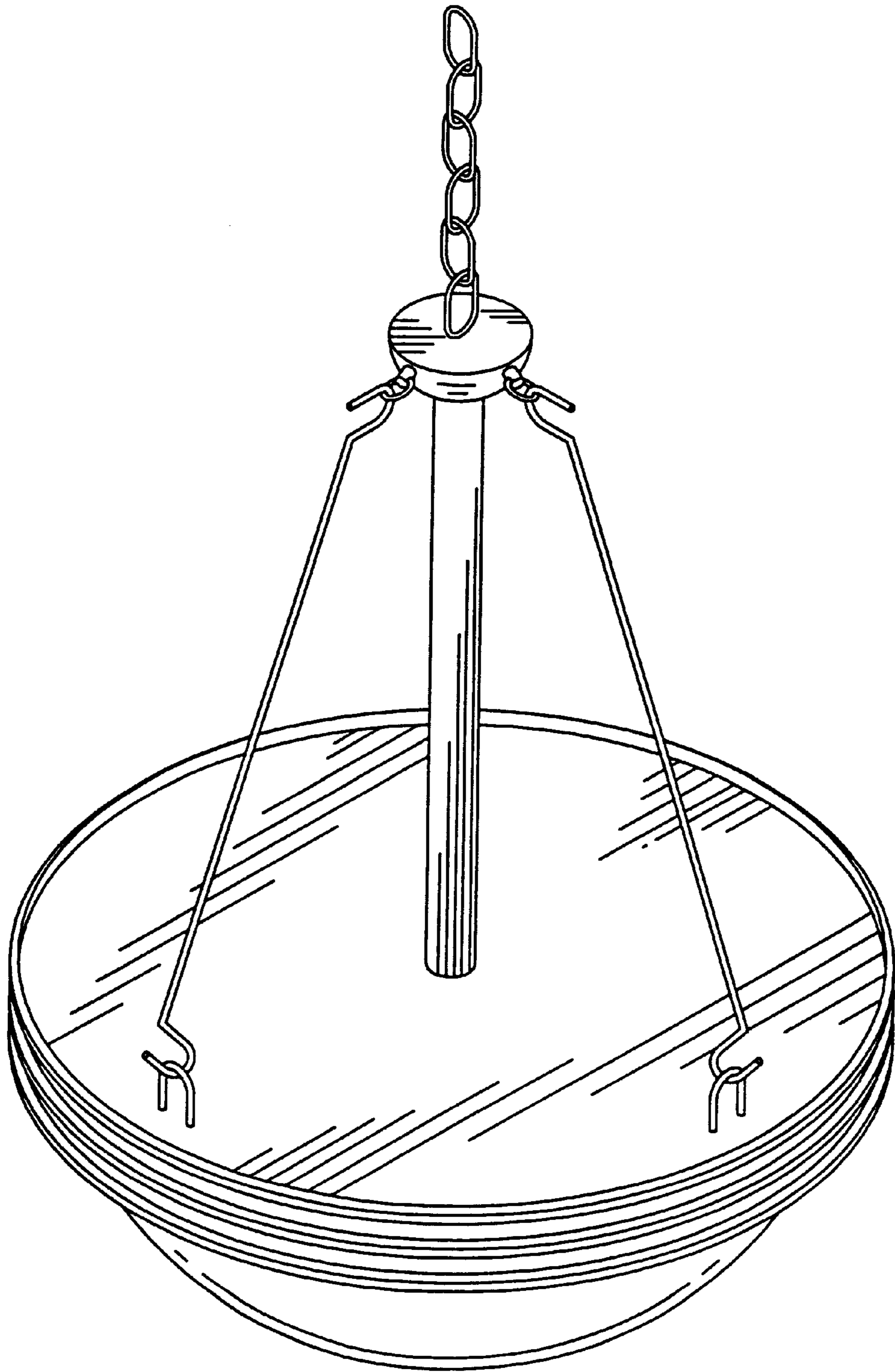


FIG. 8