



US00D444587S

(12) **United States Design Patent**
Hastings et al.

(10) **Patent No.:** **US D444,587 S**

(45) **Date of Patent:** **** Jul. 3, 2001**

(54) **LIGHTING FIXTURE**

(75) Inventors: **Mark J. Hastings**, New Berlin, WI (US); **Kevin Willmorth**, Chino Hills, CA (US)

(73) Assignee: **Visa Lighting**, Mequon, WI (US)

(**) Term: **14 Years**

(21) Appl. No.: **29/114,840**

(22) Filed: **Dec. 2, 1999**

Related U.S. Application Data

(62) Division of application No. 29/083,100, filed on Jan. 21, 1998, now Pat. No. Des. 421,505.

(51) **LOC (7) Cl.** **26-05**

(52) **U.S. Cl.** **D26/76**

(58) **Field of Search** D26/72, 75, 76, D26/77, 78; 362/147, 404, 406, 217, 222, 223, 224, 225, 249, 252, 245, 246, 247

(56) **References Cited**

U.S. PATENT DOCUMENTS

D. 129,364	*	9/1941	Pracht	D26/78
D. 381,760	*	7/1997	Costa	D26/76
2,291,488	*	7/1942	Naysmith	362/222
2,421,967	*	6/1947	Schepmoes	362/223
4,246,967	*	1/1981	Marrero	362/147

* cited by examiner

Primary Examiner—Susan J. Lucas

(74) *Attorney, Agent, or Firm*—Welsh & Katz, Ltd.

(57) **CLAIM**

The ornamental design for a lighting fixture, as shown and described.

DESCRIPTION

The single FIGURE is a perspective view of the lighting fixture showing the new design, it being understood that the ends of the lighting fixture are identical.

1 Claim, 3 Drawing Sheets

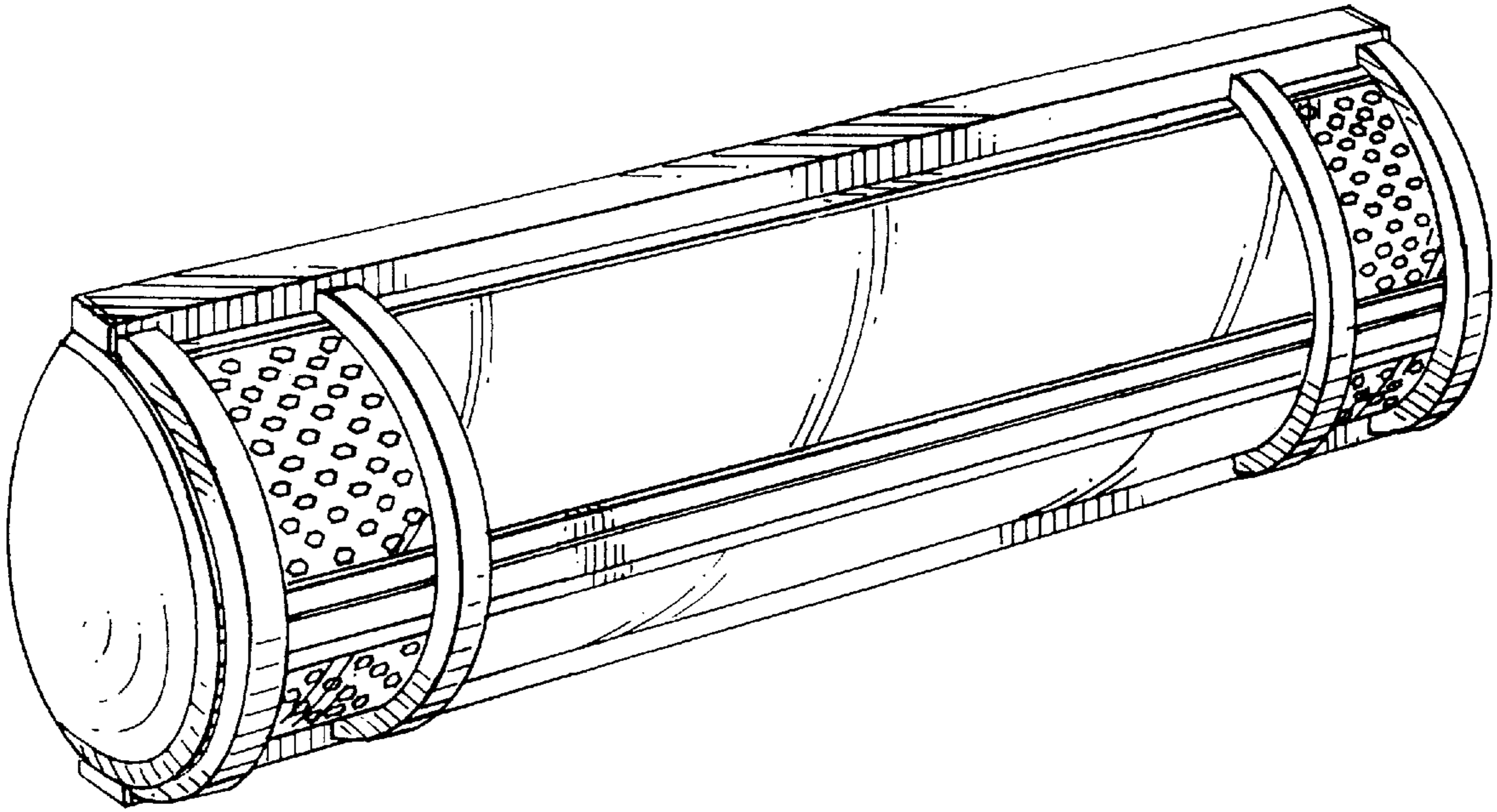


FIG. 1

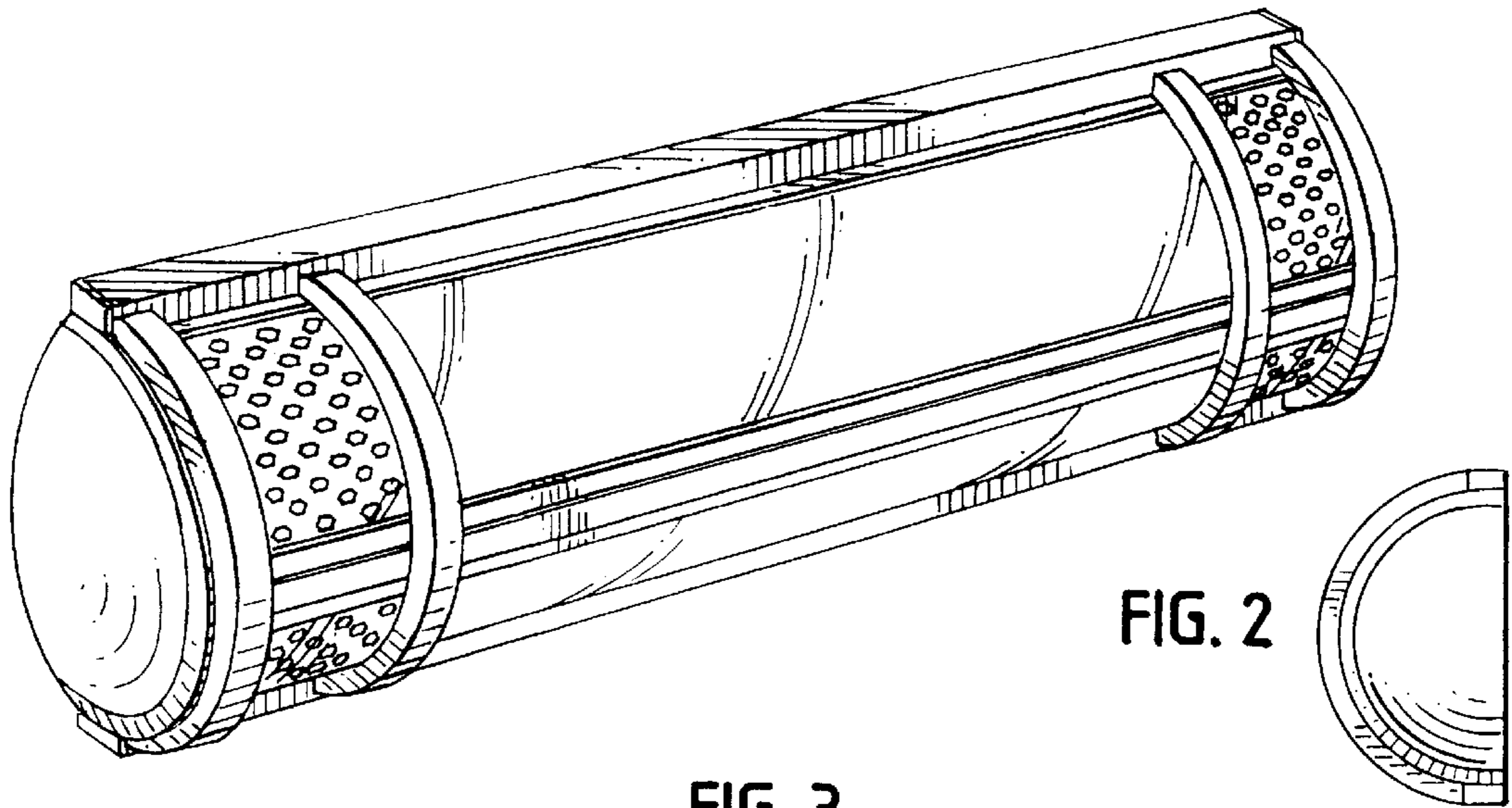


FIG. 2

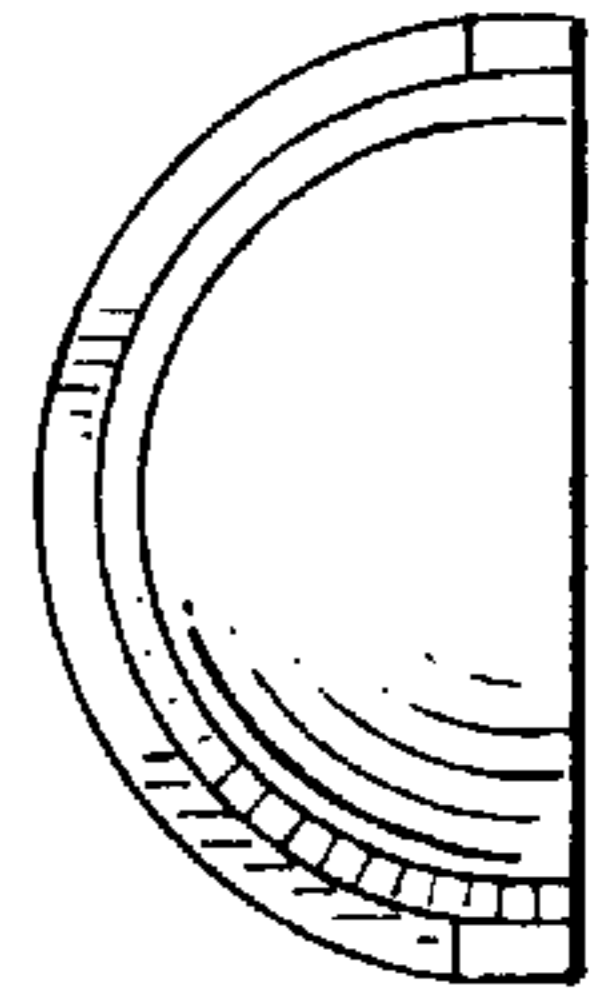


FIG. 3

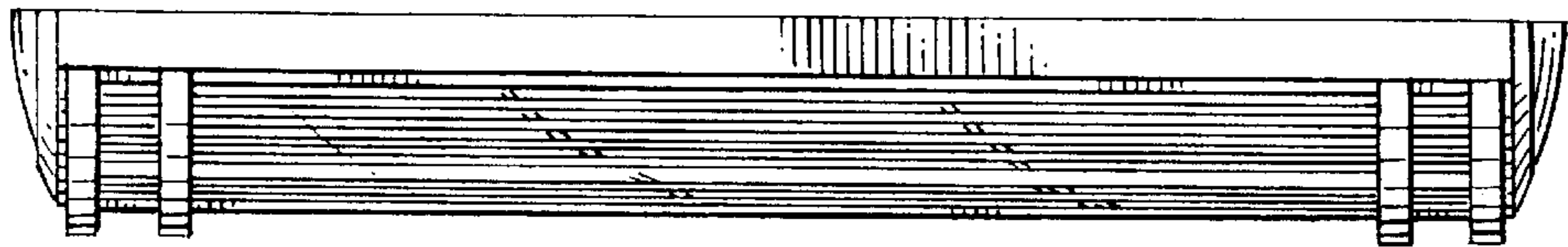


FIG. 4

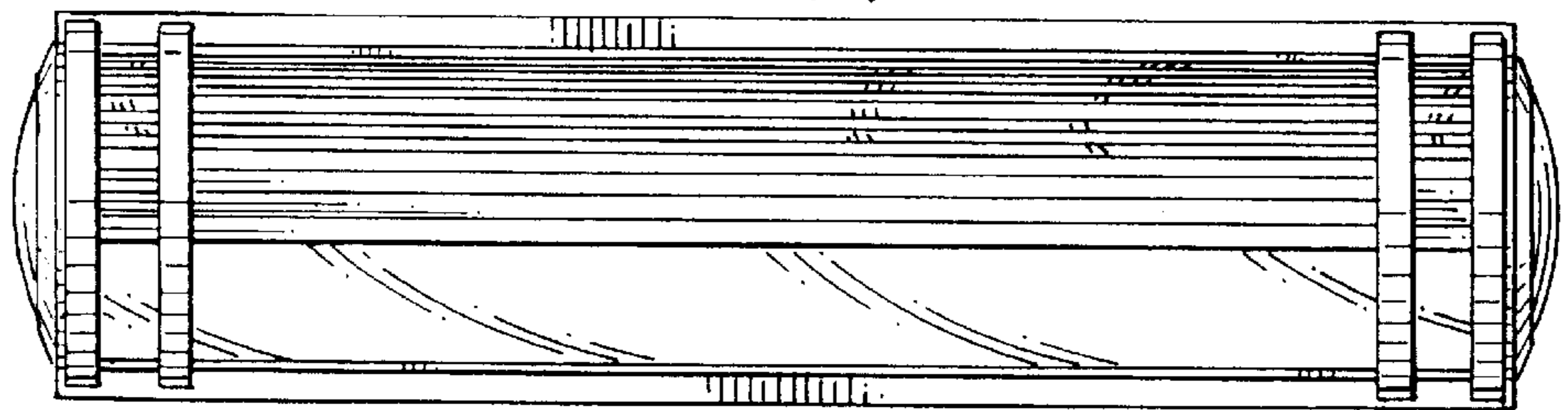


FIG. 5

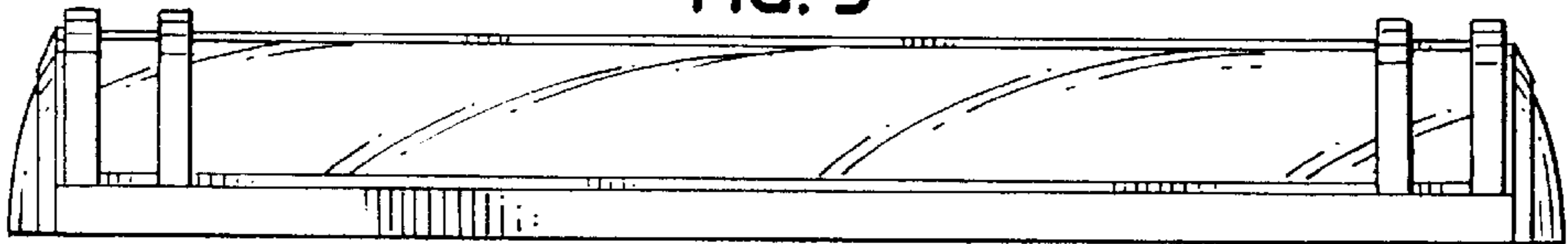


FIG. 6

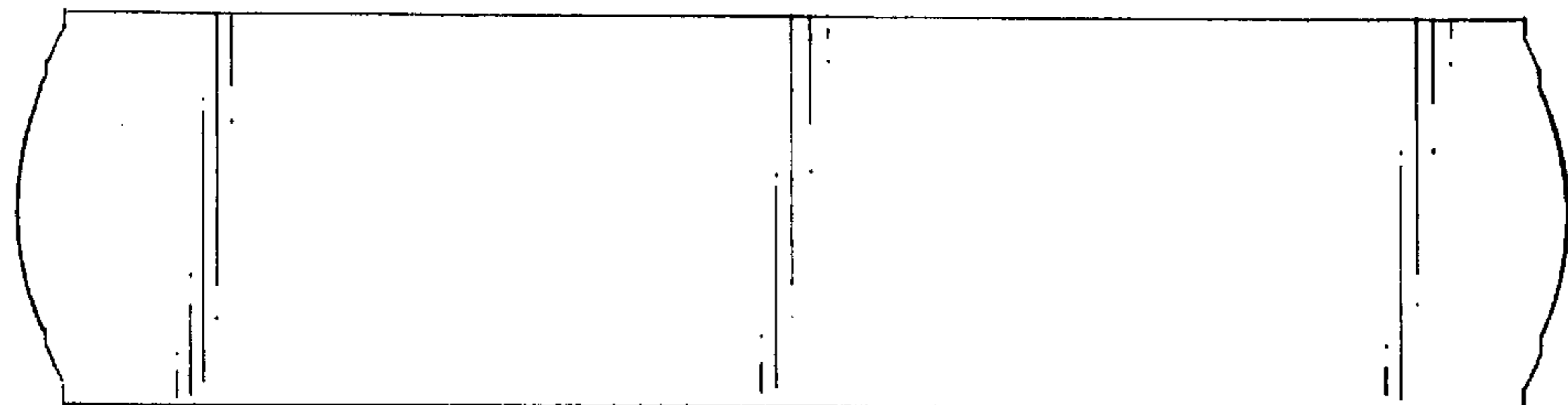


FIG. 7

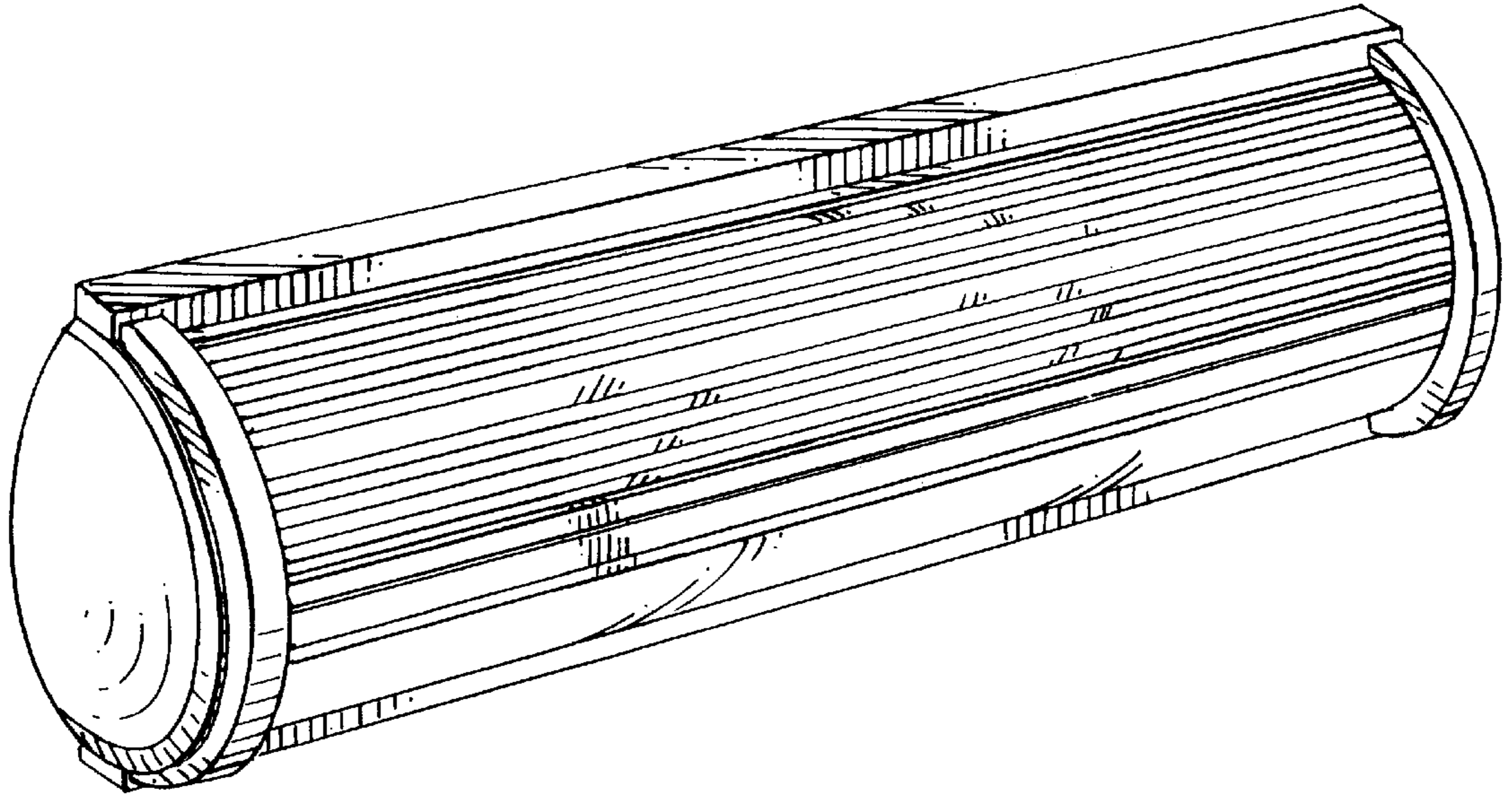


FIG. 8

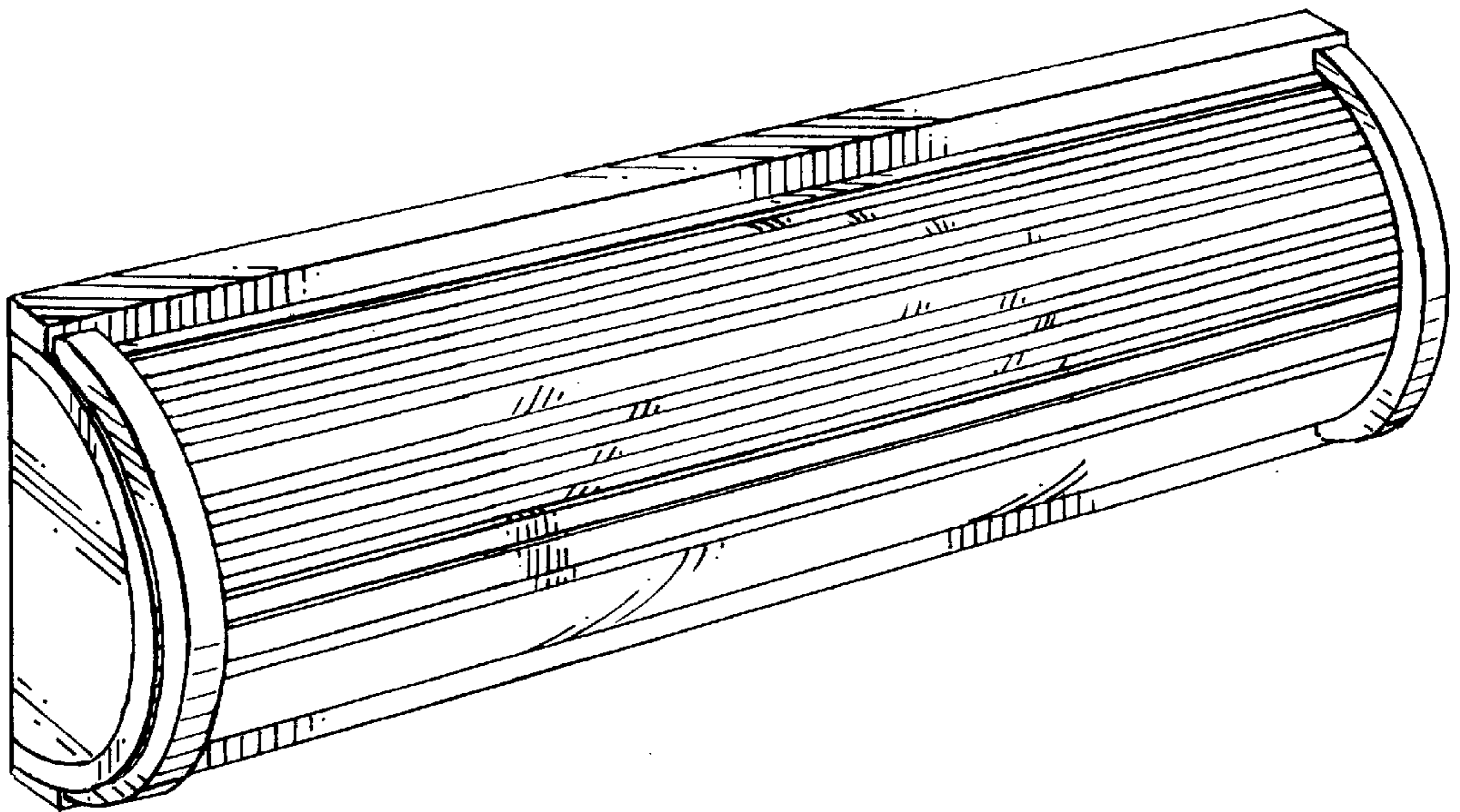


FIG. 9

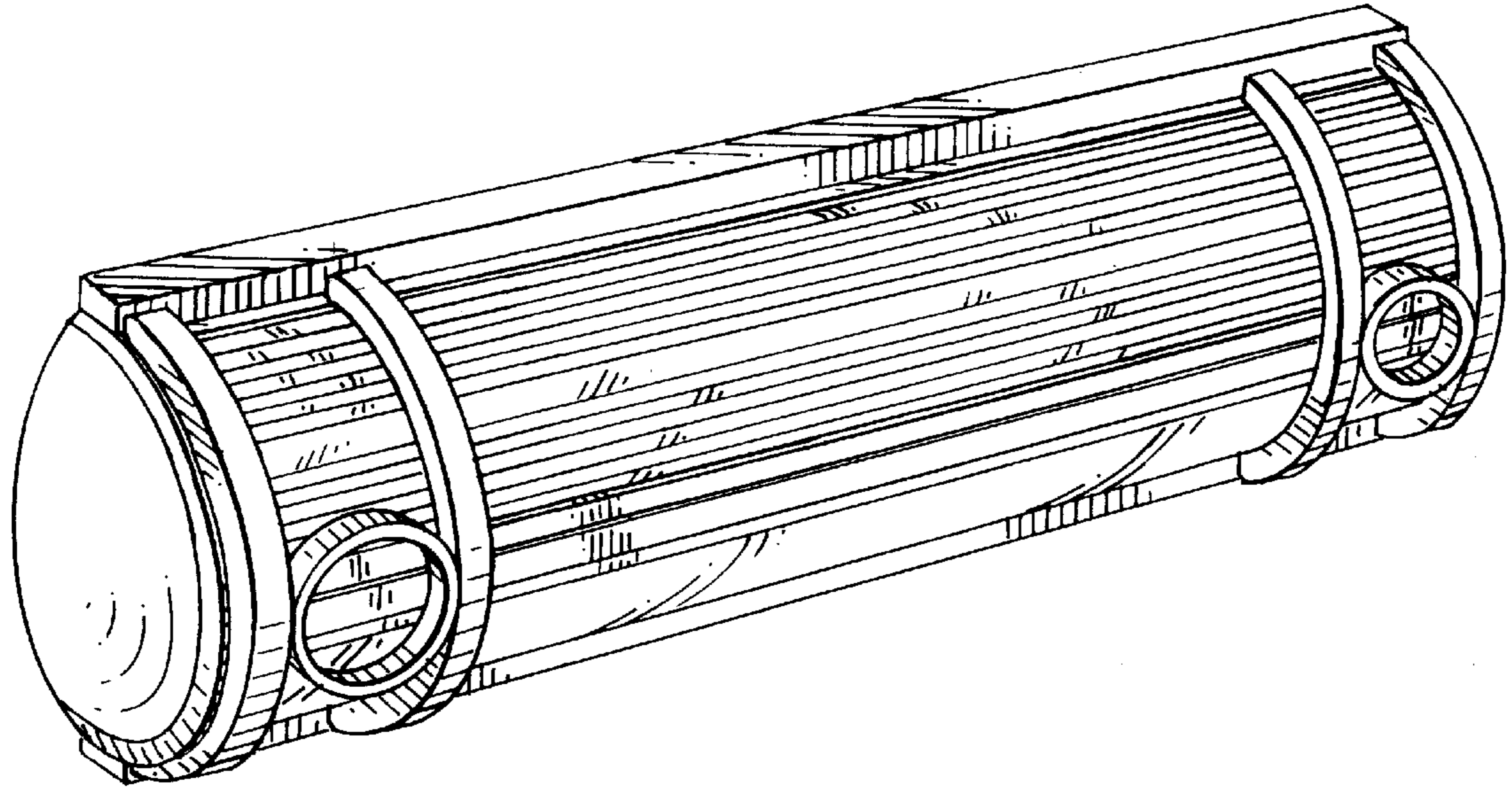


FIG. 10

