



US00D444584S

(12) **United States Design Patent** (10) **Patent No.:** **US D444,584 S**
Landefeld (45) **Date of Patent:** **** Jul. 3, 2001**

(54) **POST TOP LUMINAIRE**

(75) Inventor: **Cory W. Landefeld**, Long Beach, CA (US)

(73) Assignee: **Kim Lighting Inc.**, City of Industry, CA (US)

(**) Term: **14 Years**

(21) Appl. No.: **29/130,356**

(22) Filed: **Sep. 29, 2000**

(51) **LOC (7) Cl.** **26-05**

(52) **U.S. Cl.** **D26/67**

(58) **Field of Search** D26/67-71; 362/147, 362/153, 153.1, 234, 431, 410-414

(56) **References Cited**

U.S. PATENT DOCUMENTS

D. 329,101	*	9/1992	Landefeld	D26/68
D. 346,873	*	5/1994	Frost	D26/67
D. 395,724	*	6/1998	Compton	D26/67
D. 405,206	*	2/1999	Taylor et al.	D26/67

* cited by examiner

Primary Examiner—Joel Sincavage

Assistant Examiner—Linda Brooks

(74) *Attorney, Agent, or Firm*—Lyon & Lyon LLP

(57) **CLAIM**

The ornamental design for a post top luminaire, substantially as shown and described.

DESCRIPTION

FIG. 1 is a top view of a first embodiment of the post top luminaire this embodiment having a solid top and transparent bottom lens,

FIG. 2 is a side elevational view thereof, the opposite side view being identical,

FIG. 3 is a front elevational view thereof, the rear view being identical,

FIG. 4 is a bottom view thereof;

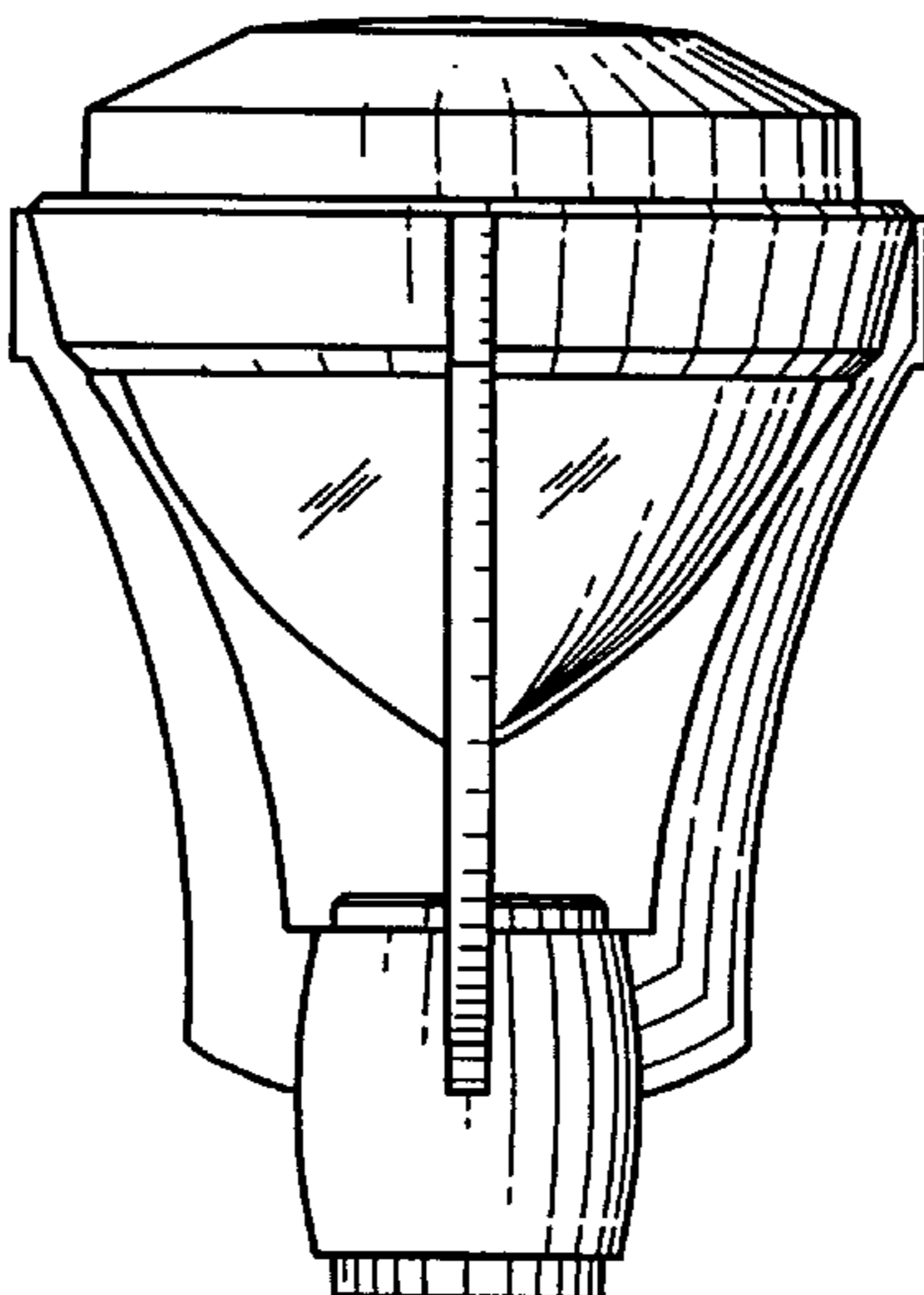
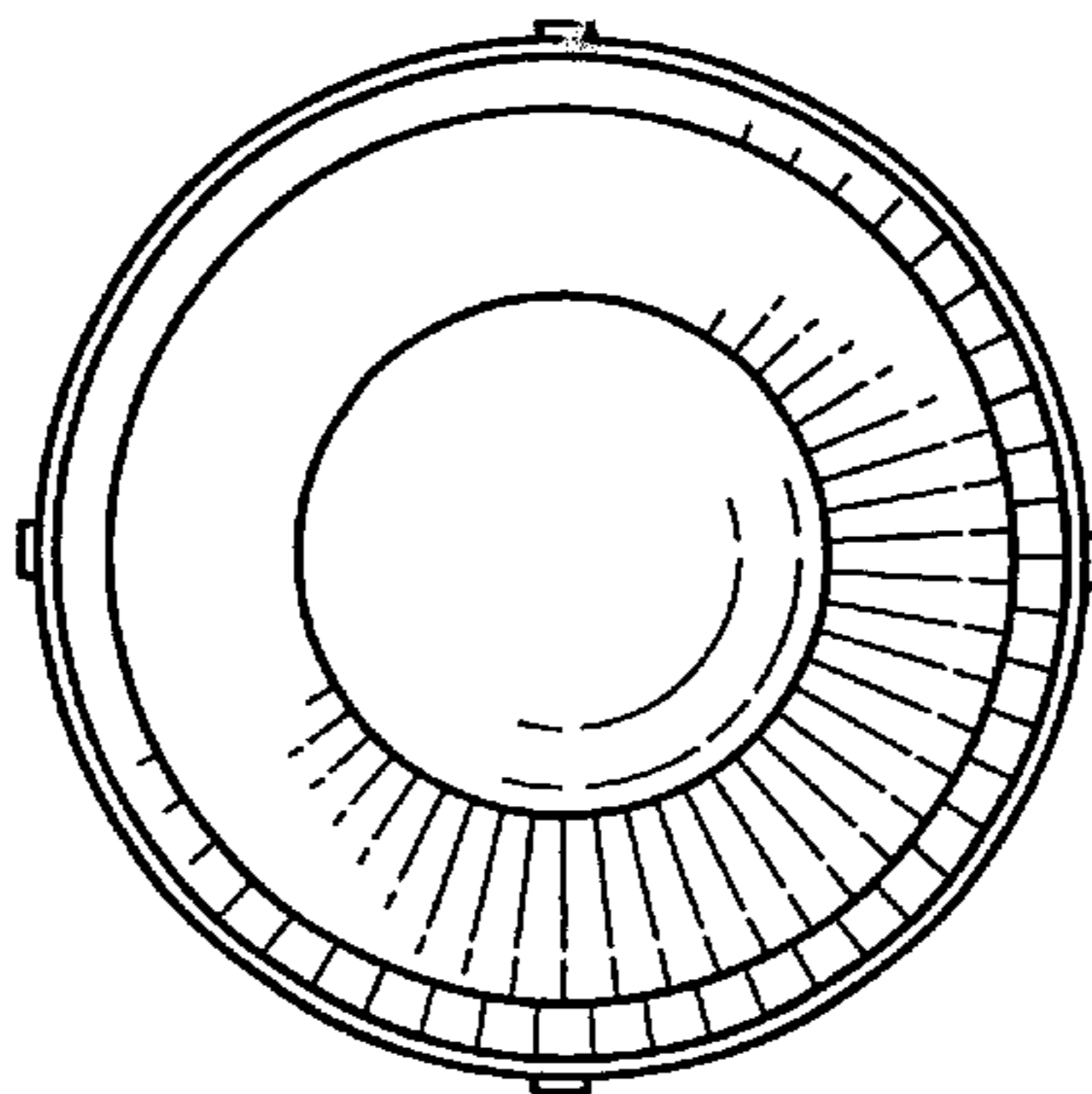
FIG. 5 is a top view of a second embodiment of the design having transparent top and bottom lenses,

FIG. 6 is a side elevational view thereof, the opposite side view being identical,

FIG. 7 is a front elevational view thereof, the rear view being identical; and,

FIG. 8 is a bottom view thereof.

1 Claim, 2 Drawing Sheets



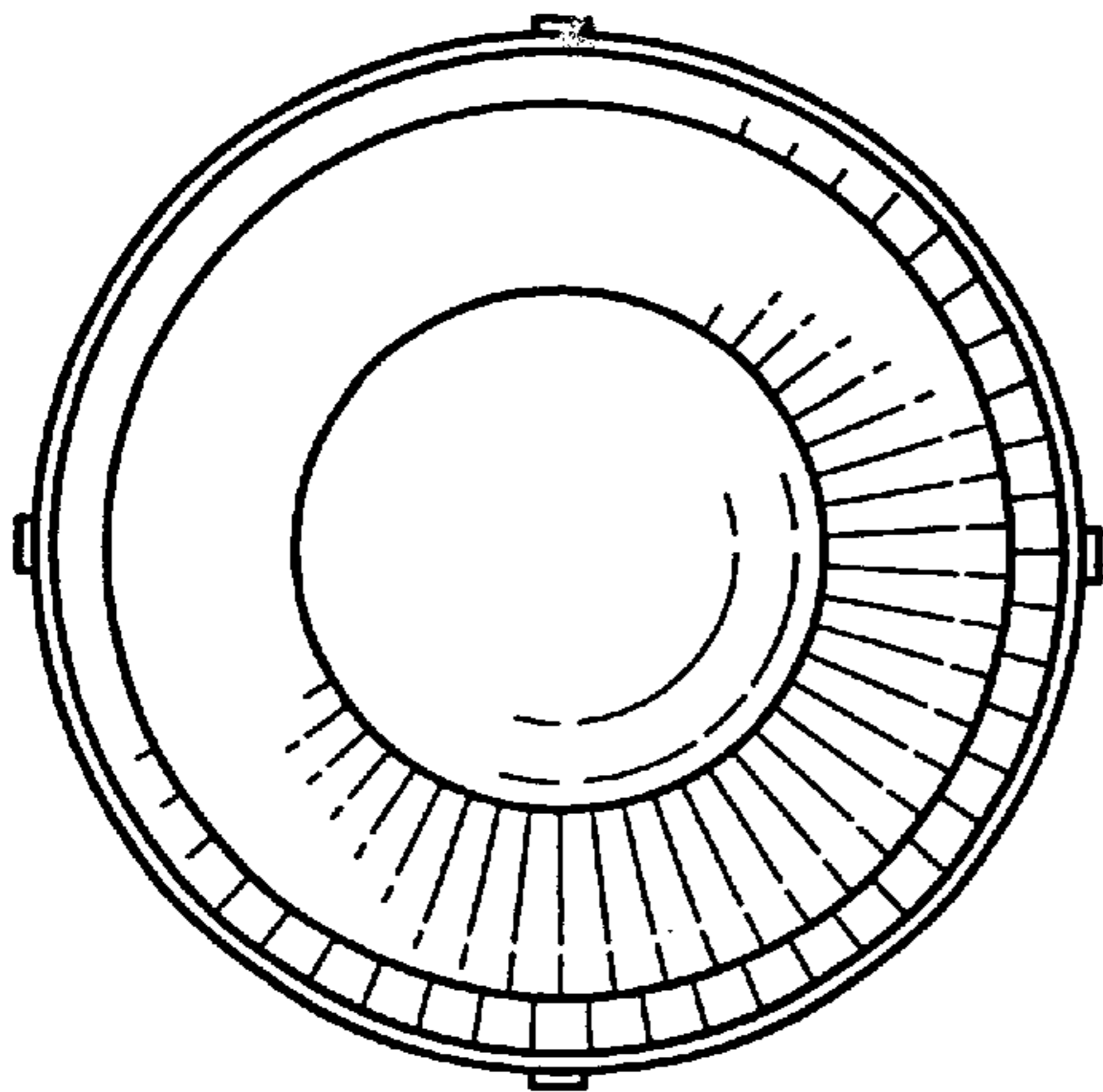


FIG. 1

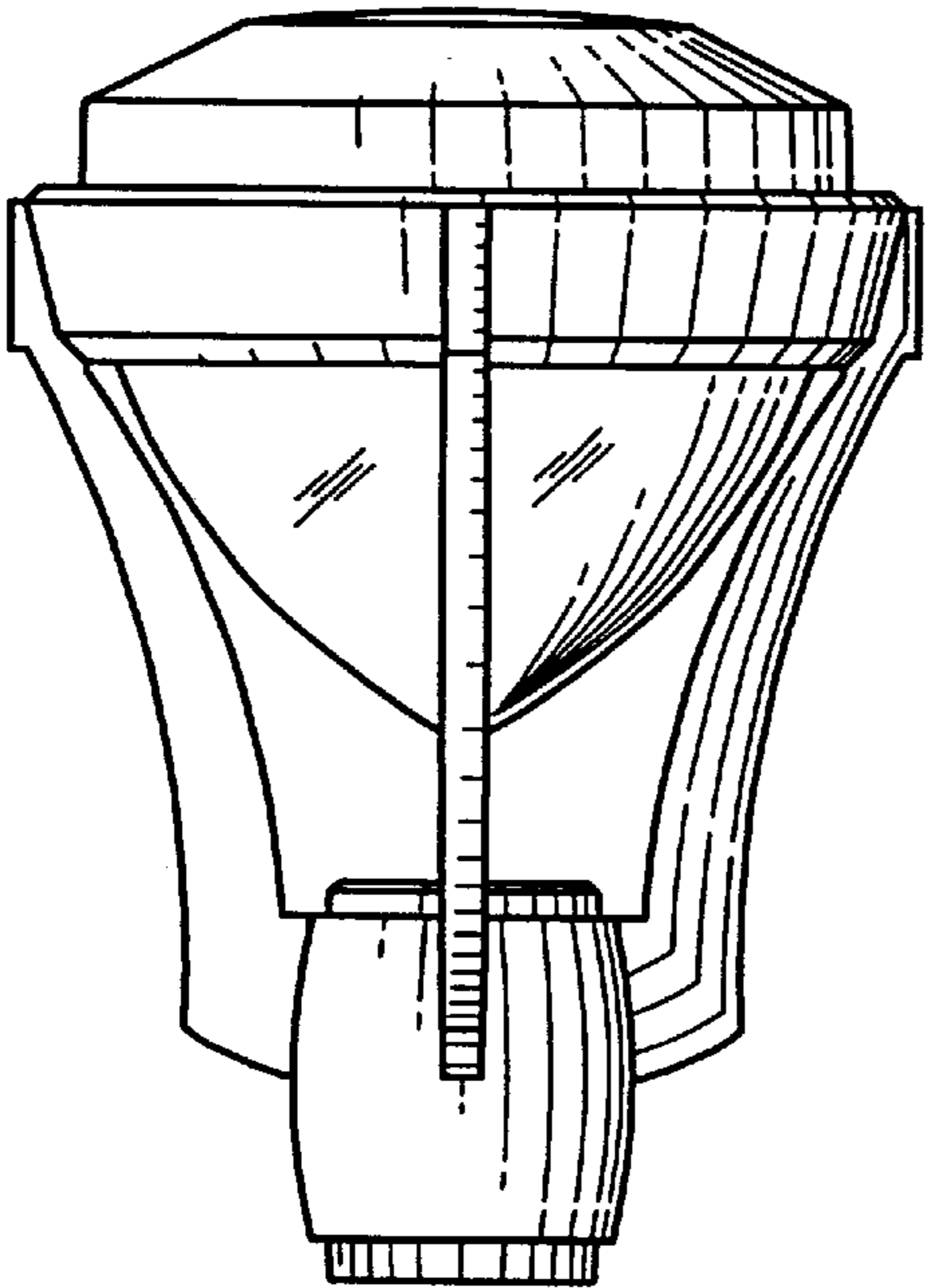


FIG. 2

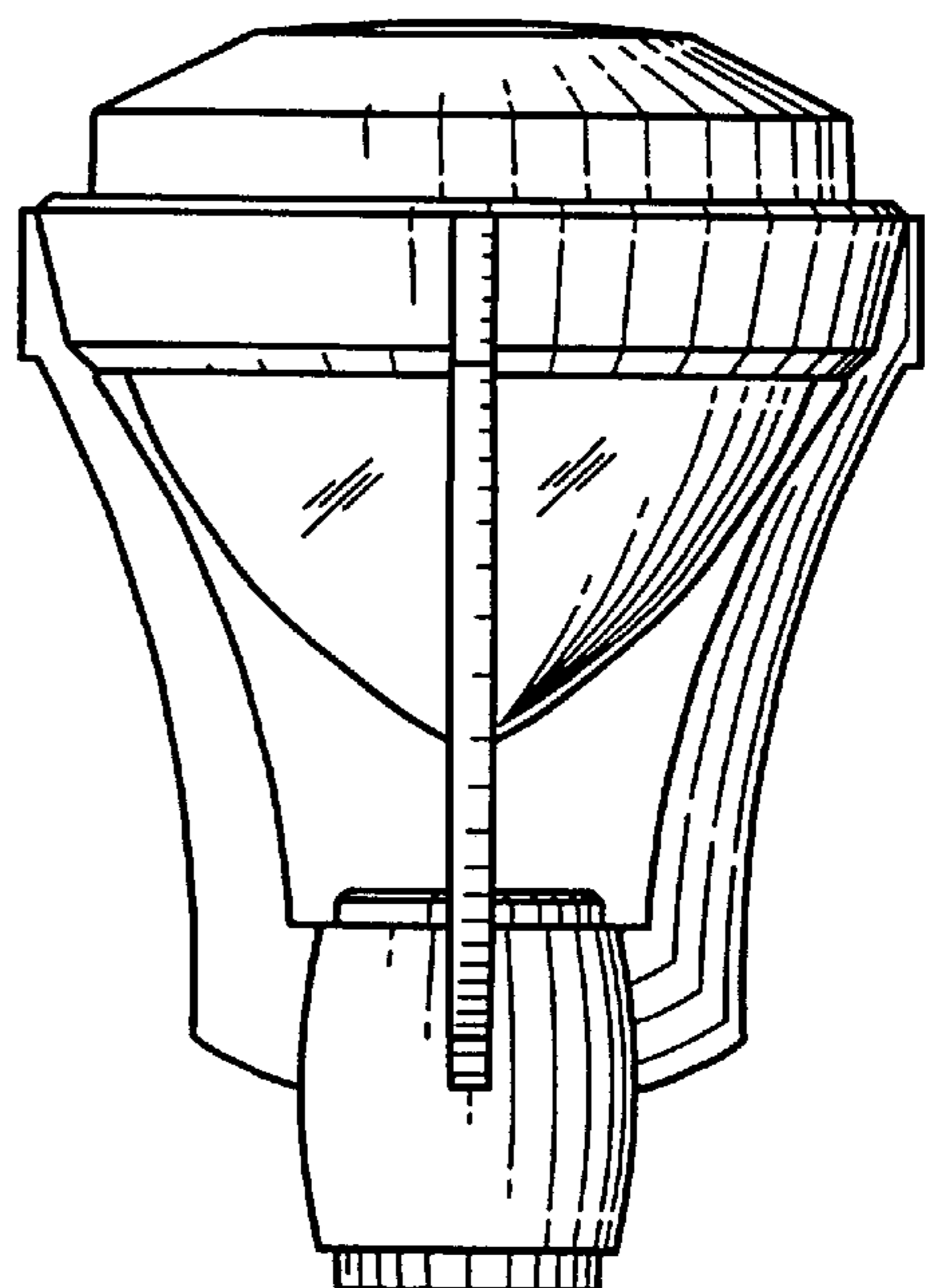


FIG. 3

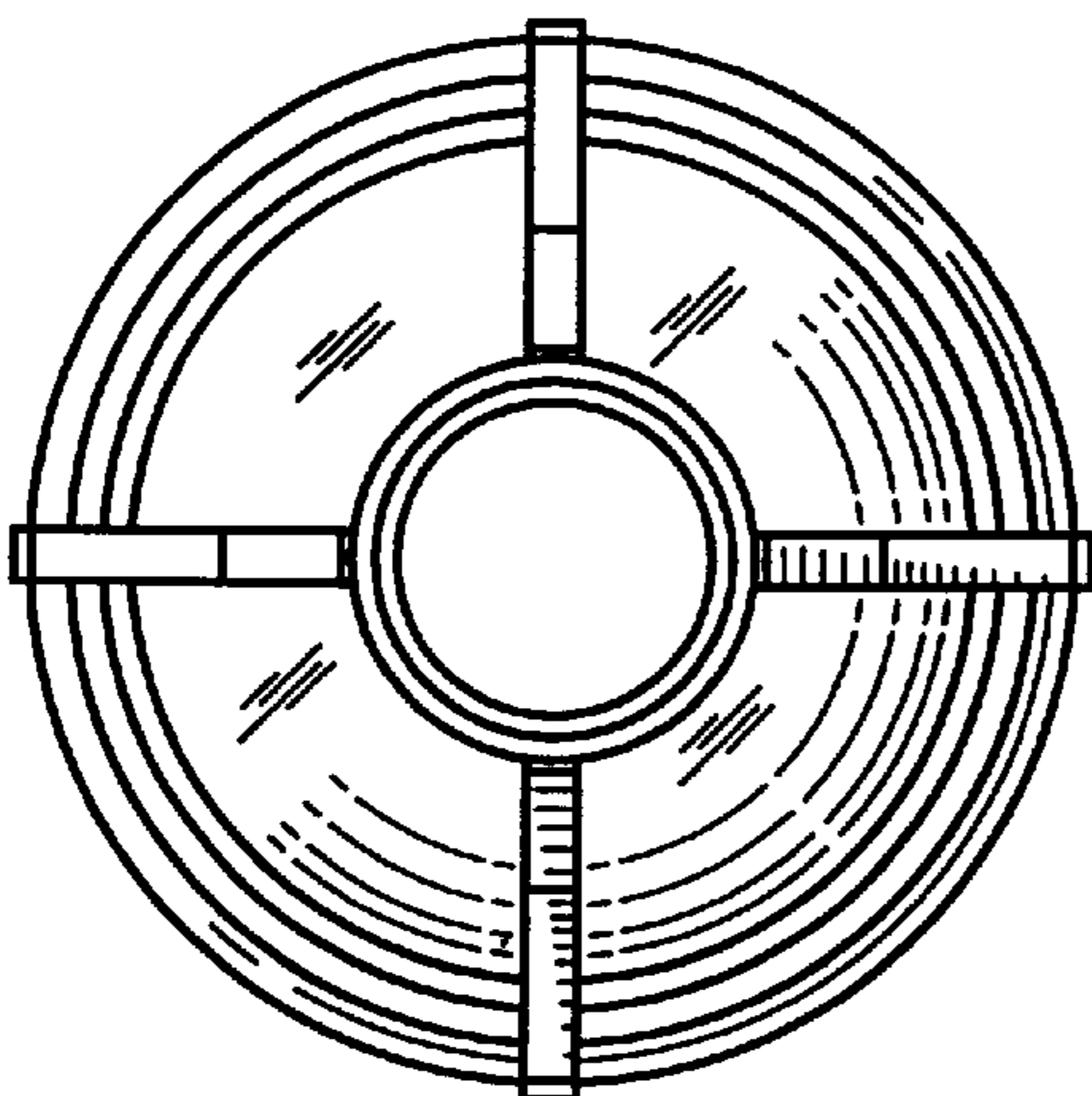


FIG. 4

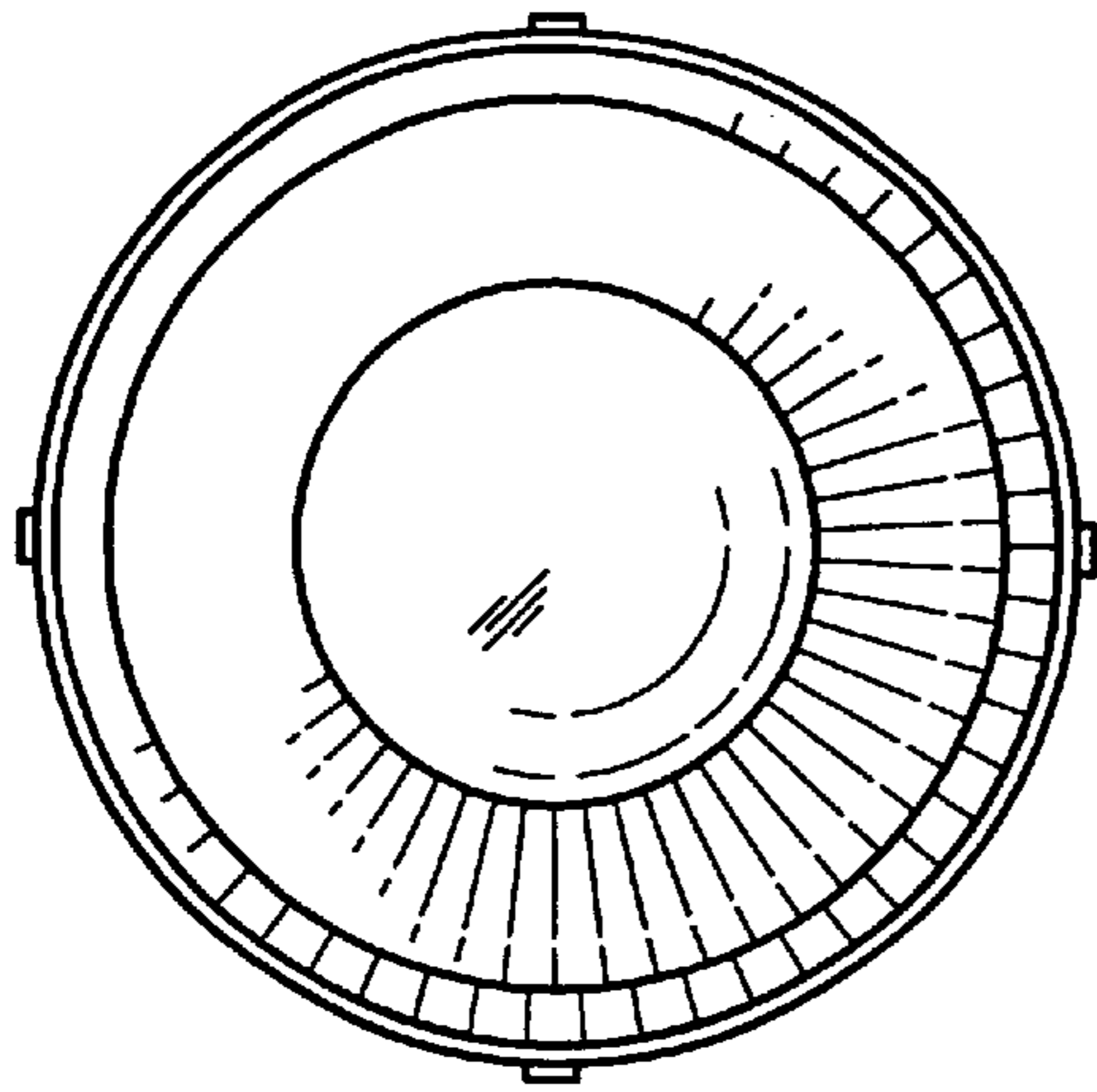


FIG. 5

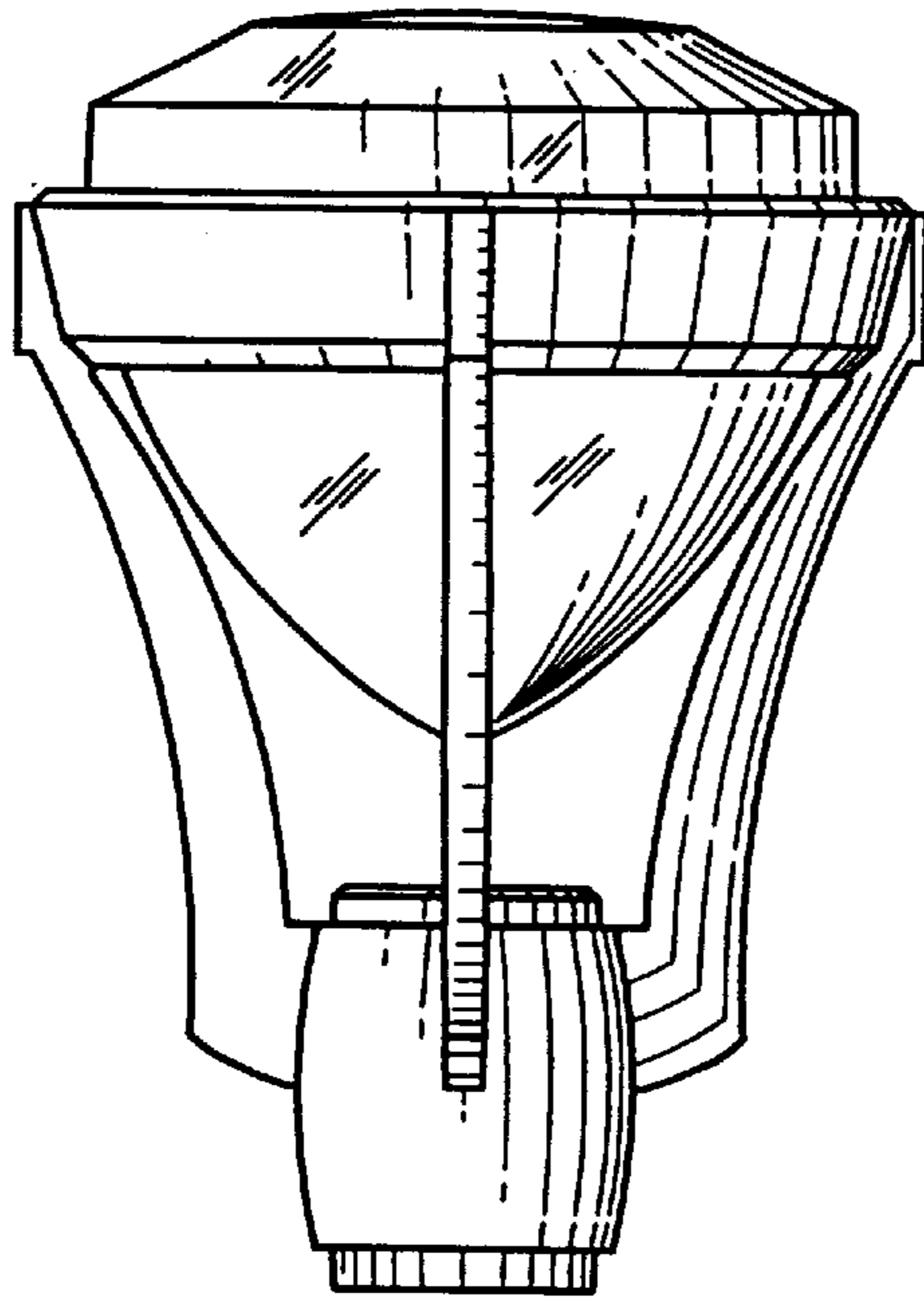


FIG. 6

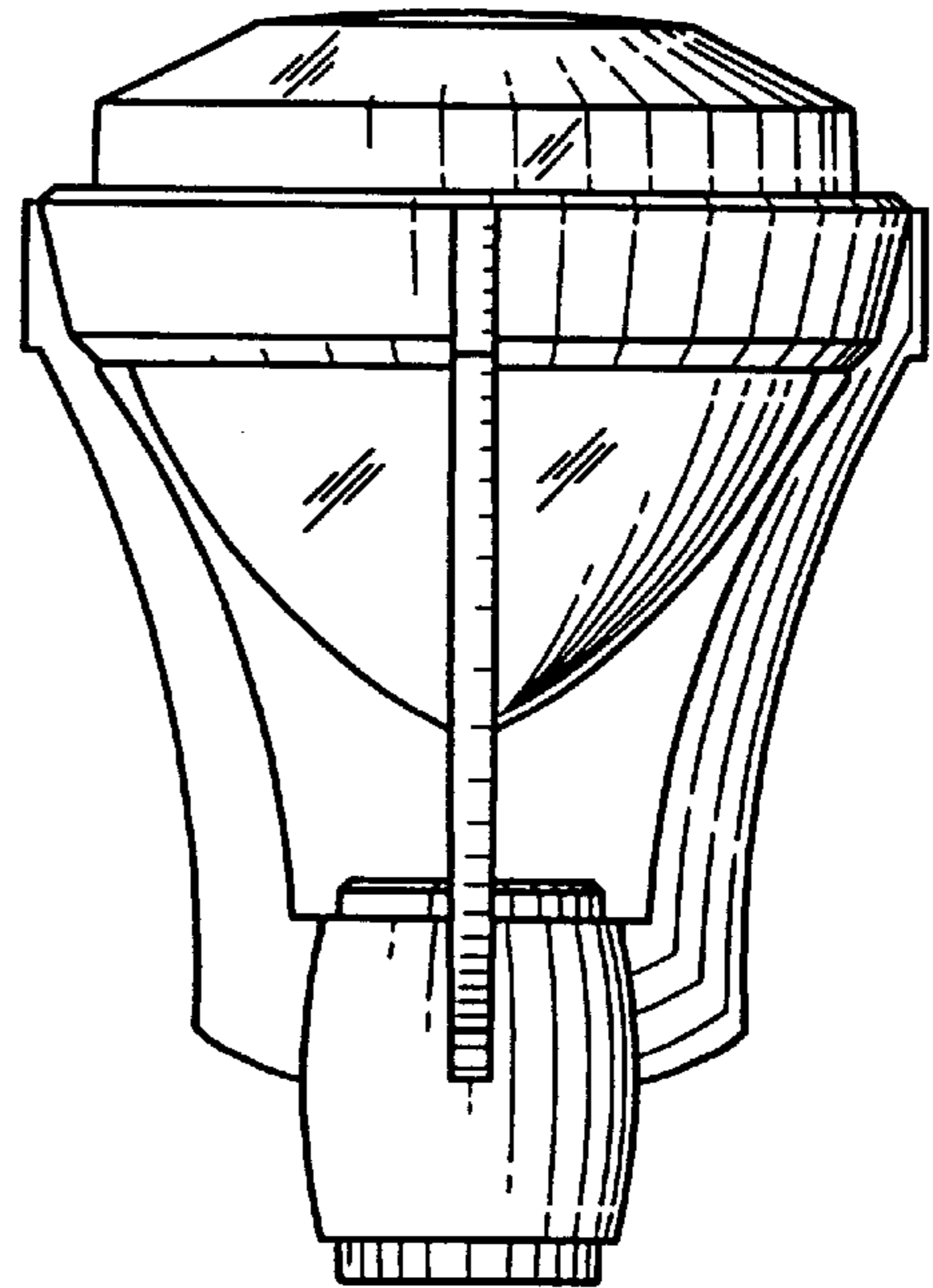


FIG. 7

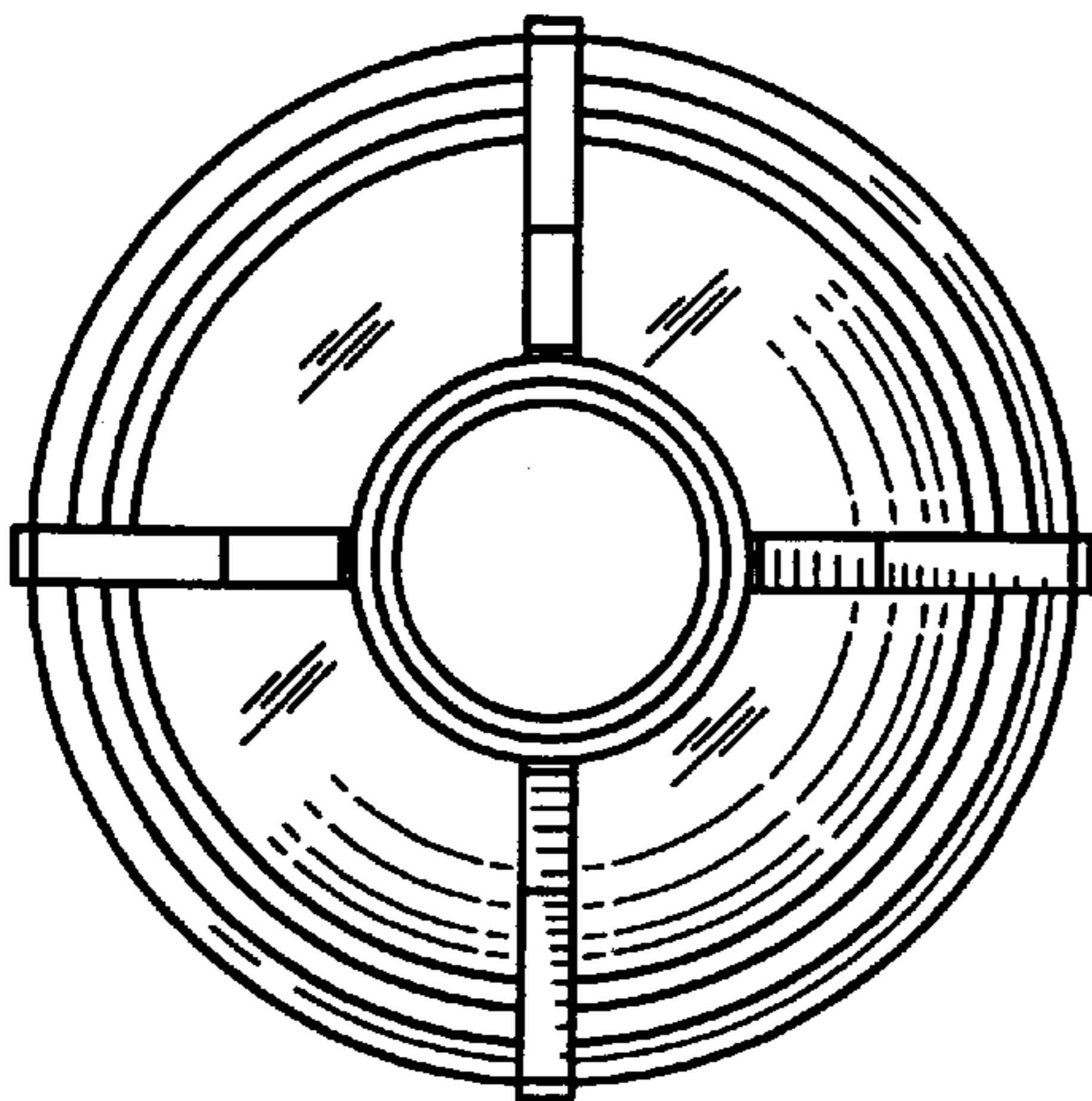


FIG. 8